

2001 ASME BOILER & PRESSURE VESSEL CODE

AN INTERNATIONAL CODE

IX



The American Society of
Mechanical Engineers

WELDING AND
BRAZING
QUALIFICATION

**ASME BOILER AND PRESSURE VESSEL CODE
AN INTERNATIONAL CODE**

**QUALIFICATION
STANDARD FOR
WELDING AND
BRAZING PROCEDURES,
WELDERS, BRAZERS,
AND WELDING AND
BRAZING OPERATORS**

**THE AMERICAN SOCIETY OF MECHANICAL ENGINEERS
NEW YORK, NEW YORK**

IX

**2001 Edition
July 1, 2001**

**ASME BOILER AND
PRESSURE VESSEL
COMMITTEE
SUBCOMMITTEE OF
WELDING**

Date of Issuance: July 1, 2001
(Includes all Addenda dated July 2000 and earlier)

This international code or standard was developed under procedures accredited as meeting the criteria for American National Standards and it is an American National Standard. The Standards Committee that approved the code or standard was balanced to assure that individuals from competent and concerned interests have had an opportunity to participate. The proposed code or standard was made available for public review and comment that provides an opportunity for additional public input from industry, academia, regulatory agencies, and the public-at-large.

ASME does not "approve," "rate," or "endorse" any item, construction, proprietary device, or activity.

ASME does not take any position with respect to the validity of any patent rights asserted in connection with any items mentioned in this document, and does not undertake to insure anyone utilizing a standard against liability for infringement of any applicable letters patent, nor assume any such liability. Users of a code or standard are expressly advised that determination of the validity of any such patent rights, and the risk of infringement of such rights, is entirely their own responsibility.

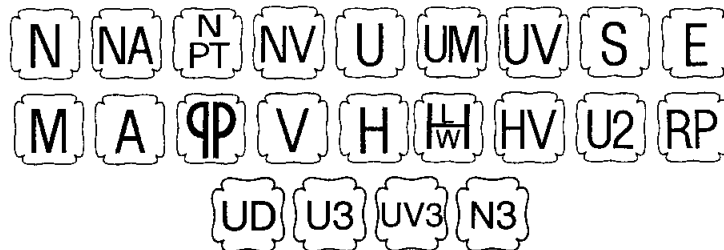
Participation by federal agency representative(s) or person(s) affiliated with industry is not to be interpreted as government or industry endorsement of this code or standard.

ASME accepts responsibility for only those interpretations of this document issued in accordance with the established ASME procedures and policies, which precludes the issuance of interpretations by individuals.

The footnotes in this document are part of this American National Standard.



ASME collective membership mark



The above ASME symbols are registered in the U.S. Patent Office.
"ASME" is the trademark of the American Society of Mechanical Engineers.

No part of this document may be reproduced in any form, in an electronic retrieval system or otherwise, without the prior written permission of the publisher.

Library of Congress Catalog Card Number: 56-3934
Printed in the United States of America

Adopted by the Council of the American Society of Mechanical Engineers, 1914.
Revised 1940, 1941, 1943, 1946, 1949, 1952, 1953, 1956, 1959, 1962, 1965, 1968, 1971, 1974, 1977, 1980, 1983, 1986,
1989, 1992, 1995, 1998, 2001

The American Society of Mechanical Engineers
Three Park Avenue, New York NY 10016-5990

Copyright © 2001 by
THE AMERICAN SOCIETY OF MECHANICAL ENGINEERS
All Rights Reserved

2001 ASME BOILER AND PRESSURE VESSEL CODE

SECTIONS

- I Rules for Construction of Power Boilers
- II Materials
 - Part A — Ferrous Material Specifications
 - Part B — Nonferrous Material Specifications
 - Part C — Specifications for Welding Rods, Electrodes, and Filler Metals
 - Part D — Properties
- III Subsection NCA — General Requirements for Division 1 and Division 2
- III Division 1
 - Subsection NB — Class 1 Components
 - Subsection NC — Class 2 Components
 - Subsection ND — Class 3 Components
 - Subsection NE — Class MC Components
 - Subsection NF — Supports
 - Subsection NG — Core Support Structures
 - Subsection NH — Class 1 Components in Elevated Temperature Service
 - Appendices
- III Division 2 — Code for Concrete Reactor Vessels and Containments
- III Division 3 — Containment Systems for Storage and Transport Packagings of Spent Nuclear Fuel and High Level Radioactive Material and Waste
- IV Rules for Construction of Heating Boilers
- V Nondestructive Examination
- VI Recommended Rules for the Care and Operation of Heating Boilers
- VII Recommended Guidelines for the Care of Power Boilers
- VIII Rules for Construction of Pressure Vessels
 - Division 1
 - Division 2 — Alternative Rules
 - Division 3 — Alternative Rules for Construction of High Pressure Vessels
- IX Welding and Brazing Qualifications
- X Fiber-Reinforced Plastic Pressure Vessels
- XI Rules for Inservice Inspection of Nuclear Power Plant Components

ADDENDA

Colored-sheet Addenda, which include additions and revisions to individual Sections of the Code, are published annually and will be sent automatically to purchasers of the applicable Sections up to the publication of the 2004 Code. The 2001 Code is available only in the loose-leaf format; accordingly, the Addenda will be issued in the loose-leaf, replacement-page format.

INTERPRETATIONS

ASME issues written replies to inquiries concerning interpretation of technical aspects of the Code. The Interpretations for each individual Section will be published separately and will be included as part of the update service to that Section. They will be issued semiannually (July and December) up to the publication of the 2004 Code. Interpretations of Section III, Divisions 1 and 2, will be included with the update service to Subsection NCA.

CODE CASES

The Boiler and Pressure Vessel Committee meets regularly to consider proposed additions and revisions to the Code and to formulate Cases to clarify the intent of existing requirements or provide, when the need is urgent, rules for materials or constructions not covered by existing Code rules. Those Cases which have been adopted will appear in the appropriate 2001 Code Cases book: (1) Boilers and Pressure Vessels and (2) Nuclear Components. Supplements will be sent automatically to the purchasers of the Code Cases books up to the publication of the 2004 Code.

CONTENTS

Foreword	ix
Statements of Policy	xiii
Personnel	xv
Introduction	xxv
Summary of Changes	xxvii

PART QW — WELDING

Article I	Welding General Requirements	
QW-100	General	1
QW-110	Weld Orientation	2
QW-120	Test Positions for Groove Welds	2
QW-130	Test Positions for Fillet Welds	3
QW-140	Types and Purposes of Tests and Examinations	3
QW-150	Tension Tests	4
QW-160	Guided-Bend Tests	5
QW-170	Notch-Toughness Tests	6
QW-180	Fillet-Weld Tests	6
QW-190	Other Tests and Examinations	8
Appendix I	Rounded Indication Charts	12
Article II	Welding Procedure Qualifications	
QW-200	General	13
QW-210	Preparation of Test Coupon	16
QW-250	Welding Variables	18
Article III	Welding Performance Qualifications	
QW-300	General	47
QW-310	Qualification Test Coupons	50
QW-320	Retests and Renewal of Qualification	51
QW-350	Welding Variables for Welders	52
QW-360	Welding Variables for Welding Operators	53

QW-380	Special Processes	54
Article IV	Welding Data	
QW-400	Variables	56
QW-410	Technique	65
QW-420	Material Groupings	68
QW-430	F-Numbers	132
QW-440	Weld Metal Chemical Composition	138
QW-450	Specimens	139
QW-460	Graphics	146
QW-470	Etching — Processes and Reagents	186
QW-490	Definitions	187
Article V	Standard Welding Procedure Specifications (SWPSs)	
QW-500	General	195
QW-510	Adoption of SWPSs	195
QW-520	Use of SWPSs Without Discrete Demonstration	195
QW-530	Forms	196
QW-540	Production Use of SWPSs	196

PART QB — BRAZING

Article XI	Brazing General Requirements	
QB-100	General	197
QB-110	Braze Orientation	198
QB-120	Test Positions for Lap, Butt, Scarf, or Rabbet Joints	198
QB-140	Types and Purposes of Tests and Examinations	198
QB-150	Tension Tests	199
QB-160	Guided-Bend Tests	200
QB-170	Peel Tests	201
QB-180	Sectioning Tests and Workmanship Coupons	201
Article XII	Brazing Procedure Qualifications	
QB-200	General	202
QB-210	Preparation of Test Coupon	204
QB-250	Brazing Variables	204
Article XIII	Brazing Performance Qualifications	
QB-300	General	211
QB-310	Qualification Test Coupons	213

QB-320	Retests and Renewal of Qualification	213
QB-350	Brazing Variables for Brazers and Brazing Operators.....	213

Article XIV Brazing Data

QB-400	Variables	215
QB-410	Technique.....	216
QB-420	P-Numbers	217
QB-430	F-Numbers	217
QB-450	Specimens	219
QB-460	Graphics	222

APPENDICES

Appendix A	Mandatory — Submittal of Technical Inquiries to the Boiler and Pressure Vessel Committee	239
Appendix B	Nonmandatory — Welding and Brazing Forms	241
Appendix D	Nonmandatory — P-Number Listing	252
Appendix E	Mandatory — Permitted SWPSs.....	269
SI Units	271
Index	274

FOREWORD

The American Society of Mechanical Engineers set up a committee in 1911 for the purpose of formulating standard rules for the construction of steam boilers and other pressure vessels. This committee is now called the Boiler and Pressure Vessel Committee.

The Committee's function is to establish rules of safety governing the design, fabrication, and inspection during construction of boilers and pressure vessels, and to interpret these rules when questions arise regarding their intent. In formulating the rules, the Committee considers the needs of users, manufacturers, and inspectors of pressure vessels. The objective of the rules is to afford reasonably certain protection of life and property and to provide a margin for deterioration in service so as to give a reasonably long, safe period of usefulness. Advancements in design and material and the evidence of experience have been recognized.

This Code contains mandatory requirements, specific prohibitions, and nonmandatory guidance for construction¹ activities. The Code does not address all aspects of these activities and those aspects which are not specifically addressed should not be considered prohibited. The Code is not a handbook and cannot replace education, experience, and the use of engineering judgment. The phrase *engineering judgment* refers to technical judgments made by knowledgeable designers experienced in the application of the Code. Engineering judgments must be consistent with Code philosophy and such judgments must never be used to overrule mandatory requirements or specific prohibitions of the Code.

The Committee recognizes that tools and techniques used for design and analysis change as technology progresses and expects engineers to use good judgment in the application of these tools. The designer is responsible for complying with Code rules and demonstrating compliance with Code equations when such equations are mandatory. The Code neither requires nor prohibits the use of computers for the design or analysis of components constructed to the requirements of the Code. However, designers and engineers using computer

programs for design or analysis are cautioned that they are responsible for all technical assumptions inherent in the programs they use and they are responsible for the application of these programs to their design.

The Code does not fully address tolerances. When dimensions, sizes, or other parameters are not specified with tolerances, the values of these parameters are considered nominal and allowable tolerances or local variances may be considered acceptable when based on engineering judgment and standard practices as determined by the designer.

The Boiler and Pressure Vessel Committee deals with the care and inspection of boilers and pressure vessels in service only to the extent of providing suggested rules of good practice as an aid to owners and their inspectors.

The rules established by the Committee are not to be interpreted as approving, recommending, or endorsing any proprietary or specific design or as limiting in any way the manufacturer's freedom to choose any method of design or any form of construction that conforms to the Code rules.

The Boiler and Pressure Vessel Committee meets regularly to consider revisions of the rules, new rules as dictated by technological development, Code Cases, and requests for interpretations. Only the Boiler and Pressure Vessel Committee has the authority to provide official interpretations of this Code. Requests for revisions, new rules, Code Cases, or interpretations shall be addressed to the Secretary in writing and shall give full particulars in order to receive consideration and action (see Mandatory Appendix covering preparation of technical inquiries). Proposed revisions to the Code resulting from inquiries will be presented to the Main Committee for appropriate action. The action of the Main Committee becomes effective only after confirmation by letter ballot of the Committee and approval by ASME.

Proposed revisions to the Code approved by the Committee are submitted to the American National Standards Institute and published in *Mechanical Engineering* to invite comments from all interested persons. After the allotted time for public review and final

¹ *Construction*, as used in this Foreword, is an all-inclusive term comprising materials, design, fabrication, examination, inspection, testing, certification, and pressure relief.

approval by ASME, revisions are published annually in Addenda to the Code.

Code Cases may be used in the construction of components to be stamped with the ASME Code symbol beginning with the date of their approval by ASME.

After Code revisions are approved by ASME, they may be used beginning with the date of issuance shown on the Addenda. Revisions, except for revisions to material specifications in Section II, Parts A and B, become mandatory 6 months after such date of issuance, except for boilers or pressure vessels contracted for prior to the end of the 6 month period. Revisions to material specifications are originated by the American Society for Testing and Materials (ASTM), and other recognized national or international organizations and are usually adopted by ASME. However, those revisions may or may not have any effect on the suitability of material, produced to earlier editions of specifications, for use in ASME construction. ASME material specifications approved for use in each construction Code are listed in the Appendices of Section II, Parts A and B. These Appendices list, for each specification, the latest edition adopted by ASME, and earlier and later editions considered by ASME to be identical for ASME construction.

Manufacturers and users of components are cautioned against making use of revisions and Cases that are less restrictive than former requirements without having assurance that they have been accepted by the proper authorities in the jurisdiction where the component is to be installed.

Each state and municipality in the United States and each province in Canada that adopts or accepts one or more Sections of the Boiler and Pressure Vessel Code is invited to appoint a representative to act on the Conference Committee to the Boiler and Pressure Vessel Committee. Since the members of the Conference Committee are in active contact with the administration and enforcement of the rules, the requirements for inspection in this Code correspond with those in effect in their respective jurisdictions. The required qualifications for an Authorized Inspector under these rules may be obtained from the administrative authority of any state, municipality, or province which has adopted these rules.

The Boiler and Pressure Vessel Committee in the formulation of its rules and in the establishment of maximum design and operating pressures considers materials, construction, methods of fabrication, inspection, and safety devices. Permission may be granted to regulatory bodies and organizations publishing safety standards to use a complete Section of the Code by reference. If usage of a Section, such as Section IX,

involves exceptions, omissions, or changes in provisions, the intent of the Code might not be attained.

Where a state or other regulatory body, in the printing of any Section of the Boiler and Pressure Vessel Code, makes additions or omissions, it is recommended that such changes be clearly indicated.

The National Board of Boiler and Pressure Vessel Inspectors is composed of chief inspectors of states and municipalities in the United States and of provinces in Canada that have adopted the Boiler and Pressure Vessel Code. This Board, since its organization in 1919, has functioned to uniformly administer and enforce the rules of the Boiler and Pressure Vessel Code. The cooperation of that organization with the Boiler and Pressure Vessel Committee has been extremely helpful.

The Code Committee does not rule on whether a component shall or shall not be constructed to the provisions of the Code. The Scope of each Section has been established to identify the components and parameters considered by the Committee in formulating the Code rules. Laws or regulations issued by municipality, state, provincial, federal, or other enforcement or regulatory bodies having jurisdiction at the location of an installation establish the mandatory applicability of the Code rules, in whole or in part, within their jurisdiction. Those laws or regulations may require the use of this Code for vessels or components not considered to be within its Scope or may establish additions or deletions in that Scope. Accordingly, inquiries regarding such laws or regulations are to be directed to the issuing enforcement or regulatory body.

Questions or issues regarding compliance of a specific component with the Code rules are to be directed to the ASME Certificate Holder (Manufacturer). Inquiries concerning the interpretation of the Code are to be directed to the ASME Boiler and Pressure Vessel Committee. ASME is to be notified should questions arise concerning improper use of an ASME Code symbol.

The specifications for materials given in Section II are identical with or similar to those of the Specifications published by ASTM, AWS, and other recognized national or international organizations. When reference is made in an ASME material specification to a non-ASME specification for which a companion ASME specification exists, the reference shall be interpreted as applying to the ASME material specification. Not all materials included in the material specifications in Section II have been adopted for Code use. Usage is limited to those materials and grades adopted by at least one of the other Sections of the Code for application under rules of that Section. All materials allowed by these various Sections and used for construction

within the scope of their rules shall be furnished in accordance with material specifications contained in Section II or referenced in Appendices A of Section II, Parts A and B except where otherwise provided in Code Cases or in the applicable Section of the Code. Materials covered by these specifications are acceptable for use in items covered by the Code Sections only to the degree indicated in the applicable Section. Materials for Code use should preferably be ordered, produced, and documented on this basis; Appendix A to Section II, Part A and Appendix A to Section II, Part B list editions of ASME and year dates of specifications that meet ASME requirements and which may be used in Code construction. Material produced to an acceptable specification with requirements different from the requirements of the corresponding specifications listed in

Appendix A of Part A or Part B may also be used in accordance with the above, provided the material manufacturer or vessel manufacturer certifies with evidence acceptable to the Authorized Inspector that the corresponding requirements of specifications listed in Appendix A of Part A or Part B have been met. Material produced to an acceptable material specification is not limited as to country of origin.

When required by context in this Section, the singular shall be interpreted as the plural, and vice-versa; and the feminine, masculine, or neuter gender shall be treated as such other gender as appropriate.

Publication of the SI (Metric) Edition of the ASME Boiler and Pressure Vessel Code was discontinued with the 1986 Edition. Effective October 1, 1986, the SI Edition was withdrawn as an ASME Boiler and Pressure Vessel Code document.

STATEMENT OF POLICY ON THE USE OF CODE SYMBOLS AND CODE AUTHORIZATION IN ADVERTISING

ASME has established procedures to authorize qualified organizations to perform various activities in accordance with the requirements of the ASME Boiler and Pressure Vessel Code. It is the aim of the Society to provide recognition of organizations so authorized. An organization holding authorization to perform various activities in accordance with the requirements of the Code may state this capability in its advertising literature.

Organizations that are authorized to use Code Symbols for marking items or constructions which have been constructed and inspected in compliance with the ASME Boiler and Pressure Vessel Code are issued Certificates of Authorization. It is the aim of the Society to maintain the standing of the Code Symbols for the benefit of the users, the enforcement jurisdictions, and the holders of the symbols who comply with all requirements.

Based on these objectives, the following policy has been established on the usage in advertising of facsimiles of the symbols, Certificates of Authorization, and reference to Code construction. The American Society of Mechanical Engineers does not "approve," "certify,"

"rate," or "endorse" any item, construction, or activity and there shall be no statements or implications which might so indicate. An organization holding a Code Symbol and/or a Certificate of Authorization may state in advertising literature that items, constructions, or activities "are built (produced or performed) or activities conducted in accordance with the requirements of the ASME Boiler and Pressure Vessel Code," or "meet the requirements of the ASME Boiler and Pressure Vessel Code."

The ASME Symbol shall be used only for stamping and nameplates as specifically provided in the Code. However, facsimiles may be used for the purpose of fostering the use of such construction. Such usage may be by an association or a society, or by a holder of a Code Symbol who may also use the facsimile in advertising to show that clearly specified items will carry the symbol. General usage is permitted only when all of a manufacturer's items are constructed under the rules.

The ASME logo, which is the cloverleaf with the letters ASME within, shall not be used by any organization other than ASME.

STATEMENT OF POLICY ON THE USE OF ASME MARKING TO IDENTIFY MANUFACTURED ITEMS

The ASME Boiler and Pressure Vessel Code provides rules for the construction of boilers, pressure vessels, and nuclear components. This includes requirements for materials, design, fabrication, examination, inspection, and stamping. Items constructed in accordance with all of the applicable rules of the Code are identified with the official Code Symbol Stamp described in the governing Section of the Code.

Markings such as "ASME," "ASME Standard," or any other marking including "ASME" or the various Code Symbols shall not be used on any item which is

not constructed in accordance with all of the applicable requirements of the Code.

Items shall not be described on ASME Data Report Forms nor on similar forms referring to ASME which tend to imply that all Code requirements have been met when, in fact, they have not been. Data Report Forms covering items not fully complying with ASME requirements should not refer to ASME or they should clearly identify all exceptions to the ASME requirements.

PERSONNEL

ASME Boiler and Pressure Vessel Committee

Subcommittees, Subgroups, and Working Groups

As of January 1, 2001

MAIN COMMITTEE

D. A. Canonico, <i>Chair</i>	W. M. Lundy
G. G. Karcher, <i>Vice Chair</i>	J. R. MacKay
J. S. Brzuszkiewicz, <i>Secretary</i>	T. G. McCarty
R. W. Barnes	U. R. Miller
F. P. Barton	G. C. Millman
D. L. Berger	R. A. Moen
M. D. Bernstein	P. A. Molvie
M. N. Bressler	C. C. Neely
P. J. Conlisk	T. P. Pastor
R. E. Feigel	C. J. Pieper
J. G. Feldstein	R. F. Reedy
R. E. Gimple	B. W. Roberts
M. Gold	F. J. Schaaf, Jr.
O. F. Hedden	A. Selz
A. J. Justin	D. E. Tanner
D. F. Landers	

EXECUTIVE COMMITTEE (MAIN COMMITTEE)

G. G. Karcher, <i>Chair</i>	O. F. Hedden
D. A. Canonico, <i>Vice Chair</i>	A. J. Justin
J. S. Brzuszkiewicz, <i>Secretary</i>	J. R. MacKay
J. G. Feldstein	T. P. Pastor
M. Gold	

HONORARY MEMBERS (MAIN COMMITTEE)

R. D. Bonner	R. C. Griffin
R. J. Bosnak	E. J. Hemzy
H. M. Canavan	J. E. Lattan
L. J. Chockie	J. LeCoff
J. S. Clarke	F. N. Moschini
W. E. Cooper	W. E. Somers
W. D. Doty	L. P. Zick, Jr.

HONORS AND AWARDS COMMITTEE

J. R. MacKay, <i>Chair</i>	M. Gold
A. J. Spencer, <i>Vice Chair</i>	F. E. Gregor
M. R. Argenziano, <i>Secretary</i>	D. P. Jones
F. P. Barton	T. P. Pastor
M. D. Bernstein	C. J. Pieper
J. G. Feldstein	

MARINE CONFERENCE GROUP

J. Tiratto, <i>Chair</i>	J. L. Jones
L. W. Douthwaite	G. F. Wright

CONFERENCE COMMITTEE

A. J. Justin — Ohio (<i>Secretary</i>)	J. Lemire — California
R. J. Aben, Jr. — Michigan	C. Lundine — Oregon
E. A. Anderson — Chicago, Illinois	S. E. Lyons — Arkansas
J. Anderson — South Dakota	M. A. Malek — Florida
R. B. Barkdoll — Washington	G. F. Mankel — Alaska
R. Barlett — Arizona	I. W. Mault — Manitoba, Canada
F. P. Barton — Virginia	H. T. McEwen — Mississippi
D. E. Burns — Nebraska	A. W. Meiring — Indiana
C. Castle — Nova Scotia, Canada	R. Mile — Ontario, Canada
R. R. Cate — Louisiana	M. F. Mooney — Massachusetts
L. Chase — Northwest Territories, Canada	Y. Nagpaul — Hawaii
R. A. Coomes — Kentucky	J. D. Payton — Pennsylvania
J. Corcoran — Connecticut	D. K. Peetz — Missouri
D. A. Douin — Illinois	M. R. Peterson — Alaska
D. Eastman — Newfoundland and Labrador, Canada	D. C. Price — Yukon Territory, Canada
G. L. Ebeyer — New Orleans, Louisiana	R. S. Pucek — Wisconsin
E. Everett — Georgia	C. D. Redmond — Michigan
P. C. Hackford — Utah	R. D. Reetz — North Dakota
D. H. Hanrath — North Carolina	D. E. Ross — New Brunswick, Canada
J. B. Harlan — Delaware	M. Shuff — West Virginia
M. L. Holloway — Oklahoma	N. Surtees — Saskatchewan, Canada
K. Hynes — Prince Edward Island, Canada	M. J. Verhagen — Wisconsin
D. T. Jagger — Ohio	M. Washington — New Jersey
D. J. Jenkins — Kansas	R. B. West — Iowa
M. Kotb — Quebec, Canada	M. J. Wheel — Vermont
K. T. Lau — Alberta, Canada	R. K. White — New York
	T. F. Wickham — Rhode Island
	C. S. Withers — Colorado

INTERNATIONAL INTEREST REVIEW GROUP

V. Felix	P. Williamson
L. S. Hung	

SUBCOMMITTEE ON POWER BOILERS (SC I)

J. R. MacKay, <i>Chair</i>	T. C. McGough
M. D. Bernstein, <i>Vice Chair</i>	R. E. McLaughlin
J. N. Shih, <i>Secretary</i>	P. A. Molvie
D. L. Berger	D. K. Parrish
E. Everett	J. T. Pillow
F. R. Gerety	R. G. Presnak
J. Hainsworth	B. W. Roberts
T. E. Hansen	R. D. Schueler, Jr.
J. S. Hunter	R. V. Wielgoszinski
C. F. Jeerings	R. L. Williams
W. L. Lowry	

Subgroup on Design (SC I)

M. D. Bernstein, <i>Chair</i>	J. D. Fishburn
R. D. Schueler, Jr., <i>Vice Chair</i>	C. F. Jeerings
P. A. Molvie, <i>Secretary</i>	N. Surtees
M. L. Coats	R. V. Wielgoszinski

Subgroup on Fabrication and Examination (SC I)

D. L. Berger, <i>Chair</i>	S. C. Petitgout
R. E. McLaughlin, <i>Secretary</i>	J. T. Pillow
J. Hainsworth	R. D. Schueler, Jr.
T. E. Hansen	R. V. Wielgoszinski
T. C. McGough	

Subgroup on General Requirements (SC I)

T. C. McGough, <i>Chair</i>	C. F. Jeerings
M. D. Bernstein, <i>Vice Chair</i>	J. M. Lyons
W. L. Lowry, <i>Secretary</i>	R. E. McLaughlin
D. L. Berger	D. K. Parrish
E. Everett	J. T. Pillow
F. R. Gerety	R. L. Williams
J. Hainsworth	

Subgroup on Materials (SC I)

B. W. Roberts, <i>Chair</i>	F. Masuyama
J. S. Hunter, <i>Secretary</i>	J. M. Tanzosh
J. F. Henry	H. N. Titer, Jr.
J. P. Libbrecht	

Subgroup on Piping (SC I)

T. E. Hansen, <i>Chair</i>	W. L. Lowry
D. L. Berger	T. C. McGough
M. D. Bernstein	R. G. Presnak
P. D. Edwards	E. A. Whittle

SUBCOMMITTEE ON MATERIALS (SC II)

M. Gold, <i>Chair</i>	R. K. Nanstad
R. A. Moen, <i>Vice Chair</i>	M. L. Nayyar
N. Lobo, <i>Secretary</i>	E. G. Nisbett
D. C. Agarwal	J. T. Parsons
W. R. Apblett, Jr.	D. W. Raho
M. N. Bressler	B. W. Roberts
J. Cameron	J. T. Parsons
W. D. Doty	D. W. Raho
D. W. Gandy	B. W. Roberts
M. H. Gilkey	R. R. Seeley
J. J. Heger	E. Shapiro
J. F. Henry	C. E. Spaeder, Jr.
C. L. Hoffmann	R. W. Swindeman
G. C. Hsu	J. M. Tanzosh
F. Masuyama	B. E. Thurgood
J. R. Maurer	R. S. Vecchio

Honorary Members (SC II)

A. P. Ahrendt	W. D. Edsall
R. Dirscherl	A. W. Zeuthen

Subgroup on External Pressure (SC II & SC-D)

R. W. Mikitka, <i>Chair</i>	D. L. Kurl
B. R. Morelock, <i>Secretary</i>	E. Michalopoulos
D. C. Agarwal	D. Nadel
D. J. Green	D. F. Shaw
D. S. Griffin	C. E. Spaeder, Jr.
M. Katcher	C. H. Sturgeon

Subgroup on Ferrous Specifications (SC II)

E. G. Nisbett, <i>Chair</i>	W. C. Mack
K. L. Aber	J. R. Maurer
A. Appleton	A. S. Meilli
B. M. Dingman	K. E. Ori
T. Graham	E. Uptis
W. N. Holliday	R. Zawierucha
D. Janikowski	A. W. Zeuthen
D. C. Krouse	R. H. Zong
J. F. Longenecker	

Subgroup on International Material Specifications (SC II)

R. R. Seeley, <i>Chair</i>	H. Masahisa
W. M. Lundy, <i>Secretary</i>	F. Osweiller
D. C. Agarwal	J. T. Parsons
J. Cameron	R. D. Schueler, Jr.
W. D. Doty	R. C. Soin
D. M. Fryer	E. A. Steen
J. P. Glaspie	E. Uptis
M. Gold	

Subgroup on Nonferrous Alloys (SC II)

D. W. Raho, <i>Chair</i>	G. C. Hsu
D. C. Agarwal, <i>Secretary</i>	M. Katcher
W. R. Apblett, Jr.	A. G. Kireta, Jr.
L. G. Coffee	R. Kissell
A. Cohen	E. Shapiro
M. H. Gilkey	L. E. Shoemaker
B. Heuer	R. C. Sutherlin

Subgroup on Strength, Ferrous Alloys (SC II)

B. W. Roberts, <i>Chair</i>	F. Masuyama
J. M. Tanzosh, <i>Secretary</i>	R. A. Moen
W. R. Apblett, Jr.	D. W. Raho
M. Gold	C. E. Spaeder, Jr.
J. J. Heger	R. W. Swindeman
C. L. Hoffmann	B. E. Thurgood
S. Kinomura	T. P. Vassallo

Subgroup on Strength of Weldments (SC II & SC IX)

J. M. Tanzosh, <i>Chair</i>	D. W. Raho
C. Robino, <i>Secretary</i>	B. W. Roberts
W. D. Doty	C. E. Spaeder, Jr.
J. F. Henry	W. J. Sperko

Subgroup on Toughness (SC II & VIII)

W. S. Jacobs, <i>Chair</i>	T. T. Phillips
R. J. Basile	M. D. Rana
J. Cameron	R. R. Seeley
W. D. Doty	J. W. Stokes
H. E. Gordon	E. Uptis
G. B. Komora	R. S. Vecchio
K. Mokhtarian	S. Yukawa
R. K. Nanstad	R. Zawierucha
C. C. Neely	

SUBCOMMITTEE ON NUCLEAR POWER (SC III)

C. J. Pieper, <i>Chair</i>	D. H. Hanrath
R. M. Jessee, <i>Vice Chair</i>	R. S. Hill III
C. A. Sanna, <i>Secretary</i>	C. L. Hoffmann
Y. Asada	K.-H. Hsu
R. W. Barnes	C. C. Kim
W. H. Borter	D. F. Landers
E. B. Branch	W. C. LaRochelle
M. N. Bressler	W. N. McLean
F. C. Cherny	R. A. Moen
G. D. Cooper	D. B. Nickerson
R. P. Deubler	R. F. Perrin
W. D. Doty	R. F. Reedy
F. R. Drahos	B. B. Scott
K. Ennis	M. W. Smith
B. A. Erler	J. D. Stevenson
G. M. Foster	K. R. Wichman

Subgroup on Containment Systems for Spent Fuel and High-Level Waste Transport Packagings (SC III)

G. M. Foster, <i>Chair</i>	T. J. Neider
G. J. Solovey, <i>Vice Chair</i>	R. E. Nickell
D. K. Morton	D. T. Raske
W. H. Borter	T. Saegusa
J. T. Conner	N. M. Simpson
R. R. Doggart	R. H. Smith
E. L. Farrow	K. B. Sorenson
J. M. Floyd	J. D. Stevenson
D. R. Heath	C. J. Temus
W. H. Lake	P. Turula
H. W. Lee	S. Yukawa
P. McConnell	

Subgroup on Design (SC III)

R. P. Deubler, <i>Chair</i>	B. Jarman
E. B. Branch, <i>Vice Chair</i>	R. I. Jetter
A. N. Nguyen, <i>Secretary</i>	J. T. Land
T. M. Adams	D. F. Landers
Y. Asada	W. N. McLean
R. W. Barnes	J. C. Minichiello
M. N. Bressler	D. B. Nickerson
C. W. Bruny	W. Z. Novak
D. L. Caldwell	E. C. Rodabaugh
J. R. Cole	I. Saito
G. D. Cooper	J. R. Santangelo
R. E. Cornman, Jr.	G. C. Slagis
D. H. Hanrath	J. D. Stevenson
R. W. Haupt	K. R. Wichman
R. S. Hill III	

Working Group on Administration (SG-D) (SC III)

E. B. Branch, <i>Chair</i>	D. F. Landers
R. W. Barnes, <i>Vice Chair</i>	W. N. McLean
R. S. Hill III, <i>Secretary</i>	D. B. Nickerson
C. W. Bruny	W. Z. Novak
R. P. Deubler	J. R. Santangelo
J. T. Land	

Working Group on Supports (SG-D) (SC III)

R. J. Masterson, <i>Chair</i>	A. S. Laurenson
R. M. Dulin, Jr., <i>Secretary</i>	A. E. Meligi
U. S. Bandyopadhyay	G. C. Mok
F. J. Birch	A. N. Nguyen
J. R. Cole	I. Saito
R. P. Deubler	J. R. Stinson
J. C. Finneran, Jr.	C.-I. Wu
J. C. Hennart	

Working Group on Core Support Structures (SG-D) (SC III)

J. T. Land, <i>Chair</i>	K. B. Larsen
R. H. Hansen	J. F. Mullooly

Working Group on Dynamic and Extreme Load Conditions (SG-D) (SC III)

D. L. Caldwell, *Chair*
P. L. Anderson, *Secretary*
M. K. Au-Yang
R. D. Blevins
P.-Y. Chen
A. Hadjian

W. S. LaPay
H. Lockert
A. E. Meligi
P. R. Olson
R. F. Perry

Working Group on Piping (SG-D) (SC III)

J. R. Cole, *Chair*
P. Hirschberg, *Secretary*
T. M. Adams
G. A. Antaki
J. T. Conner
A. B. Glickstein
R. J. Gurdal
R. W. Haupt
J. C. Hennart
R. S. Hill III
R. D. Hookway
R. B. Jenkins
D. F. Landers
K. A. Manoly

J. F. McCabe
J. C. Minichiello
S. E. Moore
A. N. Nguyen
O. O. Oyamada
R. D. Patel
E. C. Rodabaugh
J. R. Santangelo
M. S. Sills
G. C. Slagis
V. K. Verma
E. A. Wais
C.-I. Wu

Working Group on Pumps (SG-D) (SC III)

R. E. Cornman, Jr., *Chair*
H. L. Brammer
A. A. Fraser
M. Higuchi
G. R. Jones
J. W. Leavitt

J. E. Livingston
D. B. Nickerson
R. A. Schussler
D. B. Spencer, Jr.
H. Tafarrodi
G. K. Vaghasia

Working Group on Valves (SG-D) (SC III)

W. N. McLean, *Chair*
R. R. Brodin
R. Koester
J. D. Page

S. N. Shields
H. R. Sonderegger
J. C. Tsacoyeanes
R. G. Visalli

Working Group on Vessels (SG-D) (SC III)

C. W. Bruny, *Chair*
G. D. Cooper
D. H. Hanrath
M. Hartzman
W. J. Heilker
A. Kalnins
T. M. Khan

O. Maekawa
K. A. Manoly
D. E. Matthews
G. K. Miller
W. Z. Novak
E. Pelling
H. S. Thornton

Special Working Group on Environmental Effects (SG-D) (SC III)

W. Z. Novak, *Chair*
Y. Asada
W. J. Heilker
R. S. Hill III

C. L. Hoffmann
R. A. Moen
S. Yukawa

Special Working Group on Seismic Piping Rules (SG-D) (SC III)

E. B. Branch, *Chair*
T. M. Adams
G. A. Antaki
K. Hasegawa
T. Isogai
H. Kobayashi

V. Matzen
J. C. Minichiello
M. S. Sills
Y. Urabe
E. A. Wais
T. Yamazaki

Subgroup on General Requirements (SC III & SC 3C)

W. C. LaRochelle, *Chair*
K. Ennis, *Secretary*
A. Appleton
B. H. Berg
C. Lizotte
R. P. McIntyre
M. J. Meyer

R. Mile
M. R. Minick
R. F. Perrin
B. B. Scott
D. M. Vickery
D. V. Walshe

Subgroup on Materials, Fabrication, and Examination (SC III)

C. L. Hoffmann, *Chair*
G. P. Milley, *Secretary*
C. W. Allison
B. H. Berg
W. H. Borter
D. Doyle
F. R. Drahos
G. M. Foster
G. B. Georgiev
J. E. Harris
R. W. Jackson

R. M. Jessee
C. C. Kim
R. A. Moen
H. Murakami
C. J. Pieper
N. M. Simpson
R. C. Soin
W. J. Sperko
K. B. Stuckey
S. Yukawa

Subgroup on Pressure Relief (SC III)

S. F. Harrison, Jr., *Chair*
F. C. Cherny
E. M. Petrosky
M. W. Smith

A. L. Szeglin
D. G. Thibault
B. S. York

Special Working Group on Editing and Review (SC III)

R. F. Reedy, *Chair*
W. H. Borter
M. N. Bressler
D. L. Caldwell
R. P. Deubler

B. A. Eriker
D. H. Hanrath
W. C. LaRochelle
M. W. Smith
J. D. Stevenson

JOINT ACI-ASME COMMITTEE ON CONCRETE COMPONENTS FOR NUCLEAR SERVICE (SC 3C)

M. F. Hessheimer, *Chair*
S. J. Rossi, *Secretary*
J. P. Allen III
J. F. Artuso
R. M. Attar
A. C. Eberhardt
B. A. Eriker
D. J. Haavik
T. C. Inman

D. C. Jeng
T. E. Johnson
N.-H. Lee
S. F. Putman
B. B. Scott
R. E. Shewmaker
J. D. Stevenson
A. Y. Wong

SUBCOMMITTEE ON HEATING BOILERS (SC IV)

F. P. Barton, <i>Chair</i>	R. I. Mullican
P. A. Molvie, <i>Vice Chair</i>	E. A. Nordstrom
M. R. Argenziano, <i>Secretary</i>	J. L. Seigle
T. L. Bedeaux	D. E. Tanner
W. L. Haag, Jr.	S. V. Voorhees
W. M. Hiddleston	R. H. Weigel
J. D. Hoh	R. V. Wielgoszinski
D. H. Mapes	J. I. Woodworth
K. M. McTague	R. B. Duggan, <i>Honorary</i>
K. R. Moskwa	<i>Member</i>

Subgroup on Care and Operation of Heating Boilers (SC IV)

J. I. Woodworth, <i>Chair</i>	K. M. McTague
M. R. Argenziano, <i>Secretary</i>	P. A. Molvie
T. L. Bedeaux	R. I. Mullican
K. J. Hoey	T. F. Wickham
J. D. Hoh	

Subgroup on Cast Iron Boilers (SC IV)

K. M. McTague, <i>Chair</i>	R. H. Weigel
C. P. McQuiggan	T. F. Wickham
K. R. Moskwa	J. I. Woodworth

Subgroup on Water Heaters (SC IV)

W. L. Haag, Jr., <i>Chair</i>	K. M. McTague
T. L. Bedeaux	R. I. Mullican
T. D. Gantt	D. E. Tanner
W. M. Hiddleston	M. A. Taylor
F. M. Lucas	T. E. Trant

Subgroup on Welded Boilers (SC IV)

P. A. Molvie, <i>Chair</i>	J. L. Seigle
T. L. Bedeaux	R. P. Sullivan
D. H. Mapes	D. E. Tanner
E. A. Nordstrom	R. V. Wielgoszinski

**SUBCOMMITTEE ON
NONDESTRUCTIVE EXAMINATION (SC V)**

T. G. McCarty, <i>Chair</i>	F. B. Kovacs
J. E. Batey, <i>Vice Chair</i>	R. W. Kruzic
E. H. Maradiaga, <i>Secretary</i>	J. F. Manning
S. J. Akrin	W. C. McGaughey
A. S. Birks	R. D. McGuire
W. T. Clayton	F. J. Sattler
N. Y. Faransso	E. F. Summers, Jr.
O. F. Hedden	M. J. Wheel
G. W. Hembree	

**Subgroup on General Requirements/
Personnel Qualifications and Inquiries (SC V)**

R. D. McGuire, <i>Chair</i>	H. C. Graber
J. E. Batey	G. W. Hembree
W. T. Clayton	J. R. MacKay
N. Y. Faransso	

Subgroup on Surface Examination Methods (SC V)

A. S. Birks, <i>Chair</i>	G. W. Hembree
S. J. Akrin	R. W. Kruzic
T. Alexander	F. J. Sattler
B. H. Clark, Jr.	E. F. Summers, Jr.
H. C. Graber	M. J. Wheel

Subgroup on Volumetric Methods (SC V)

J. E. Batey, <i>Chair</i>	E. K. Kietzman
S. J. Akrin	F. B. Kovacs
W. T. Clayton	R. W. Kruzic
N. Y. Faransso	J. F. Manning
H. C. Graber	W. C. McGaughey
G. W. Hembree	J. R. Mitchell
B. Kellerhall	

Working Group on Acoustic Emissions (SG-VM) (SC V)

B. H. Clark, Jr.	J. F. Manning
P. M. Horrigan	J. R. Mitchell

Working Group on Radiography (SG-VM) (SC V)

G. W. Hembree, <i>Chair</i>	N. Y. Faransso
S. J. Akrin	H. C. Graber
T. Alexander	F. B. Kovacs
J. E. Batey	R. W. Kruzic

Working Group on Ultrasonics (SG-VM) (SC V)

W. T. Clayton, <i>Chair</i>	W. C. McGaughey
O. F. Hedden	R. Paillaman
B. Kellerhall	F. J. Sattler
E. K. Kietzman	M. L. Shakinovsky
J. F. Manning	

SUBCOMMITTEE ON PRESSURE VESSELS (SC VIII)

T. P. Pastor, <i>Chair</i>	K. T. Lau
K. Mokhtarian, <i>Vice Chair</i>	R. W. Mikitka
A. J. Roby, <i>Secretary</i>	U. R. Miller
V. Bogosian	C. C. Neely
J. Cameron	M. D. Rana
S. C. Cyr	S. C. Roberts
R. M. Elliott	C. D. Rodery
R. E. Feigel	K. J. Schneider
J. G. Feldstein	A. Seiz
M. J. Houle	J. R. Sims, Jr.
W. S. Jacobs	A. J. Spencer
G. G. Karcher	E. A. Steen
G. B. Komora	E. L. Thomas, Jr.

Subgroup on Design (SC VIII)

U. R. Miller, <i>Chair</i>	R. W. Mikitka
R. E. Knoblock, <i>Secretary</i>	K. Mokhtarian
R. J. Basile	T. P. Pastor
M. R. Bauman	M. D. Rana
M. R. Breach	G. B. Rawls, Jr.
S. M. Caldwell	C. D. Rodery
J. R. Farr	A. Selz
J. P. Glaspie	S. C. Shah
G. G. Karcher	J. W. Stokes
G. B. Komora	E. L. Thomas, Jr.

Subgroup on Fabrication and Inspection (SC VIII)

C. D. Rodery, <i>Chair</i>	R. A. Johnson
E. A. Steen, <i>Vice Chair</i>	D. J. Kreft
J. L. Arnold	F. C. Ouyang
W. J. Bees	M. J. Pischke
H. E. Gordon	M. J. Rice
M. J. Houle	W. P. Webb
W. S. Jacobs	

Subgroup on General Requirements (SC VIII)

S. C. Roberts, <i>Chair</i>	W. E. Laveck, Jr.
V. Bogosian	A. S. Mann
M. L. Coats	C. C. Neely
R. M. Elliott	A. S. Olivares
J. P. Glaspie	K. J. Schneider
K. T. Lau	A. J. Spencer

Subgroup on Materials (SC VIII)

J. Cameron, <i>Chair</i>	W. M. Lundy
K. L. Aber	E. E. Morgenegg
D. C. Agarwal	E. G. Nisbett
W. D. Doty	J. T. Parsons
D. A. Franklin	D. W. Rahoo
B. Heuer	E. Uptis
M. Katcher	

Special Working Group on Heat Transfer Equipment (SC VIII)

G. B. Komora, <i>Chair</i>	T. W. Norton
R. P. Zoldak, <i>Secretary</i>	F. Osweiler
S. M. Caldwell	S. C. Roberts
M. J. Holtz	R. J. Stastny
R. Mahadeen	S. Yokell
U. R. Miller	

Special Working Group on High-Pressure Vessels (SC VIII)

J. R. Sims, Jr., <i>Chair</i>	J. A. Kapp
P. A. Reddington, <i>Secretary</i>	D. P. Kendall
L. P. Antalffy	A. K. Khare
J. E. Baxter	S. C. Mordre
R. C. Biel	G. J. Mraz
T. B. Boyd	S. N. Pagay
D. J. Burns	E. H. Perez
P. N. Chaku	D. T. Peters
R. E. Feigel	L. M. Picqueur
D. M. Fryer	E. D. Roll
J. L. Heck, Jr.	W. L. Stewart
A. H. Honza	J. F. Sullivan
M. M. James	F. W. Tatar
P. Jansson	

SUBCOMMITTEE ON WELDING (SC IX)

J. G. Feldstein, <i>Chair</i>	A. H. Miller
W. J. Sperko, <i>Vice Chair</i>	B. R. Newmark
J. N. Shih, <i>Secretary</i>	P. P. Norris
R. B. Barkdoll	A. S. Olivares
D. A. Bowers	M. J. Pischke
M. L. Carpenter	S. D. Reynolds, Jr.
L. P. Connor	M. J. Rice
W. D. Doty	G. W. Spohn III
P. D. Flenner	M. J. Stanko
M. J. Houle	P. L. Van Fosson
R. A. Johnson	R. R. Young
W. M. Lundy	W. K. Scattergood, <i>Honorary Member</i>
R. D. McGuire	

Subgroup on Brazing (SC IX)

M. J. Pischke, <i>Chair</i>	C. F. Jeerings
M. L. Carpenter	A. H. Miller
M. J. Houle	C. Robino

Subgroup on General Requirements (SC IX)

B. R. Newmark, <i>Chair</i>	D. W. Mann
R. B. Barkdoll	A. S. Olivares
P. R. Evans	H. B. Porter
P. C. Filean	R. A. Weiss
R. M. Jessee	K. R. Willens

Subgroup on Materials (SC IX)

M. L. Carpenter, <i>Chair</i>	H. A. Sadler
L. P. Connor	C. E. Sainz
P. D. Flenner	C. E. Spaeder, Jr.
R. M. Jessee	W. J. Sperko
C. C. Kim	M. J. Stanko
A. H. Miller	R. R. Young

Subgroup on Performance Qualification (SC IX)

D. A. Bowers, <i>Chair</i>	M. J. Houle
V. A. Bell	W. M. Lundy
L. P. Connor	R. D. McGuire
R. A. Coomes	P. P. Norris
P. D. Flenner	W. K. Scattergood
G. Herrmann	G. W. Spohn III

Subgroup on Procedure Qualification (SC IX)

D. A. Bowers, <i>Chair</i>	S. D. Reynolds, Jr.
R. K. Brown, Jr.	M. J. Rice
R. A. Johnson	W. K. Scattergood
D. W. Mann	W. J. Sperko
A. H. Miller	P. L. Van Fosson
P. P. Norris	T. C. Wiesner
A. S. Olivares	P. R. Wilt
F. C. Ouyang	

**SUBCOMMITTEE ON
FIBER-REINFORCED PLASTIC PRESSURE VESSELS (SC X)**

P. J. Conlisk, <i>Chair</i>	D. J. Painter
D. Eisberg, <i>Vice Chair</i>	D. J. Pinell
A. J. Roby, <i>Secretary</i>	J. R. Richter
F. L. Brown	J. A. Rolston
J. L. Bustillos	V. Sanchez
T. W. Cowley	B. F. Shelley
T. J. Fowler	J. H. Skaggs
L. E. Hunt	P. R. Wilt
J. C. Murphy	D. O. Yancey, Jr.
A. L. Newberry	

**SUBCOMMITTEE ON
NUCLEAR INSERVICE INSPECTION (SC XI)**

R. E. Gimple, <i>Chair</i>	D. F. Landers
R. L. Dyle, <i>Vice Chair</i>	T. F. Lentz
O. Martinez, <i>Secretary</i>	J. T. Lindberg
W. H. Bamford, Jr.	G. C. Millman
R. L. Beverly	G. C. Park
J. M. Bloom	P. C. Riccardella
C. D. Cowfer	A. T. Roberts III
D. D. Davis	L. Sage
T. N. Epps III	F. J. Schaaf, Jr.
E. L. Farrow	R. J. Scott
F. E. Gregor	J. E. Staffiera
O. F. Hedden	R. W. Swayne
W. C. Holston	R. A. Yonekawa
K. Iida	K. K. Yoon
R. D. Kerr	W. E. Norris, <i>Alternate</i>

Honorary Members (SC XI)

S. H. Bush	L. R. Katz
L. J. Chockie	R. R. MacCary
J. P. Houstrup	

Subgroup on Evaluation Standards (SC XI)

W. H. Bamford, Jr., <i>Chair</i>	S. Ranganath
J. M. Bloom	P. C. Riccardella
R. C. Cipolla	D. A. Scarth
R. M. Gamble	W. L. Server
T. J. Griesbach	C. A. Tomes
K. Hasegawa	A. Van Der Sluys
P. J. Hijeck	K. R. Wichman
D. N. Hopkins	G. M. Wilkowsky
K. Iida	K. K. Yoon
Y. Imamura	S. Yukawa
J. G. Merkle	

Working Group on Flaw Evaluation (SG-ES) (SC XI)

R. C. Cipolla, <i>Chair</i>	J. G. Merkle
G. H. De Boo, <i>Secretary</i>	J. S. Panesar
W. H. Bamford, Jr.	S. Ranganath
M. Basol	D. A. Scarth
J. M. Bloom	T. S. Schurman
E. Friedman	W. L. Server
T. J. Griesbach	F. A. Simonen
F. D. Hayes	K. R. Wichman
D. N. Hopkins	G. M. Wilkowsky
K. Iida	K. K. Yoon
Y. Imamura	S. Yukawa
M. Kupinski	A. Zahoor
H. S. Mehta	V. A. Zilberstein

Working Group on Operating Plant Criteria (SG-ES) (SC XI)

T. J. Griesbach, <i>Chair</i>	H. S. Mehta
W. H. Bamford, Jr.	R. Pace
H. Behnke	J. S. Panesar
B. A. Bishop	W. E. Pennell
W. F. Brady	S. Ranganath
E. Friedman	S. T. Rosinski
S. R. Gosselin	W. L. Server
E. M. Hackett	E. A. Siegel
P. J. Hijeck	F. A. Simonen
M. Kupinski	G. L. Stevens
S. D. Leshnoff	K. K. Yoon
P. Manbeck	S. Yukawa

Working Group on Pipe Flaw Evaluation (SG-ES) (SC XI)

D. A. Scarth, <i>Chair</i>	D. N. Hopkins
G. M. Wilkowsky, <i>Secretary</i>	K. Iida
W. H. Bamford, Jr.	K. K. Kashima
R. C. Cipolla	H. S. Mehta
N. G. Cofie	J. S. Panesar
S. K. Daftuar	K. K. Yoon
G. H. De Boo	S. Yukawa
E. Friedman	A. Zahoor
L. F. Goyette	V. A. Zilberstein
K. Hasegawa	

Subgroup on Liquid-Metal-Cooled Systems (SC XI)

C. G. McCargar, <i>Chair</i>	R. Hundal
W. L. Chase	R. W. King
S. Hattori	W. Kwant

**Working Group on Liquid-Metal Reactor Covers
(SG-LMCS) (SC XI)**

W. L. Chase, <i>Chair</i>	R. Hundal
S. Hattori	

Subgroup on Nondestructive Examination (SC XI)

C. D. Cowfer, <i>Chair</i>	D. O. Henry
N. R. Bentley, <i>Secretary</i>	M. R. Hum
D. C. Adamonis	G. A. Lofthus
B. Bevins	M. C. Modes
F. T. Carr	F. J. Schaaf, Jr.
C. B. Cheezem	M. F. Sherwin
W. T. Clayton	J. C. Spanner, Jr.
F. J. Dodd	C. J. Wirtz
T. N. Epps III	

Working Group on Personnel Qualification and Surface, Visual, and Eddy Current Examination (SG-NDE) (SC XI)

J. C. Spanner, Jr., <i>Chair</i>	J. J. McArdle III
C. J. Wirtz, <i>Secretary</i>	M. F. Sherwin
B. L. Curtis	D. Spake
D. O. Henry	D. S. Whitcomb
H. E. Houserman	

Working Group on Pressure Testing (SG-NDE) (SC XI)

D. W. Lamond, <i>Chair</i>	R. J. Cimoch
T. M. Anselmi	G. L. Fechter
J. M. Boughman	J. K. McClanahan
T. R. Bugelholl	

Working Group on Procedure Qualification and Volumetric Examination (SG-NDE) (SC XI)

M. C. Modes, <i>Chair</i>	S. R. Doctor
B. Bevins, <i>Secretary</i>	F. J. Dodd
D. C. Adamonis	T. N. Epps III
F. L. Becker	B. Kellerhall
N. R. Bentley	G. A. Lofthus
F. T. Carr	M. Saporito
C. B. Cheezem	S. M. Walker
W. T. Clayton	

Subgroup on Repairs, Replacements, and Modifications (SC XI)

W. C. Holston, <i>Chair</i>	R. D. Kerr
D. E. Waskey, <i>Secretary</i>	D. F. Landers
M. N. Bressler	R. S. Lewis
R. E. Cantrell	M. S. McDonald
R. E. Gimple	R. R. Stevenson
C. E. Hartz	R. W. Swayne
R. A. Hermann	R. A. Yonekawa
T. E. Hiss	

Working Group on Design Reconciliation (SG-RR&M) (SC XI)

T. E. Hiss, <i>Chair</i>	E. V. Imbro
J. T. Conner, <i>Secretary</i>	D. F. Landers
S. B. Brown	R. W. Swayne
W. C. Holston	A. H. Taufique

Working Group on Responsibilities and Program Requirements (SG-RR&M) (SC XI)

R. A. Yonekawa, <i>Chair</i>	R. S. Lewis
R. R. Stevenson, <i>Secretary</i>	M. S. McDonald
S. K. Fisher	S. M. Swilley
G. M. Foster	A. J. Walcutt
R. D. Graham	J. Ghergurovich, <i>Alternate</i>
C. E. Hartz	

Working Group on Welding and Special Repair Processes (SG-RR&M) (SC XI)

D. E. Waskey, <i>Chair</i>	R. D. Kerr
R. E. Cantrell, <i>Secretary</i>	B. R. Newton
P. D. Fisher	P. P. Norris
A. J. Giannuzzi	J. E. O'Sullivan
R. A. Hermann	K. R. Willens
R. P. Indap	

Subgroup on Water-Cooled Systems (SC XI)

G. C. Park, <i>Chair</i>	D. W. Lamond
K. B. Thomas, <i>Secretary</i>	T. F. Lentz
J. M. Agold	J. T. Lindberg
G. L. Belew	M. P. Lintz
W. J. Briggs	W. E. Norris
T. R. Bugelholl	C. Pendleton
D. D. Davis	E. Throckmorton
R. L. Dyle	S. M. Walker
E. L. Farrow	R. A. West
O. F. Hedden	J. Whitman
M. L. Herrera	H. Graves, <i>Alternate</i>
T. C. Hinkle	R. M. Kenneally, <i>Alternate</i>
S. D. Kulat	

Working Group on Containment (SG-WCS) (SC XI)

J. E. Staffiera, <i>Chair</i>	R. D. Hough
H. M. Stephens, <i>Secretary</i>	C. N. Krishnaswamy
H. G. Ashar	M. P. Lintz
W. J. Briggs	D. Naus
K. K. N. Chao	S. C. Petitgout
M. J. Ferlisi	G. W. Robin
H. Graves	R. T. Zak
H. T. Hill	W. E. Norris, <i>Alternate</i>

Working Group on Implementation of Risk-Based Examination (SG-WCS) (SC XI)

S. D. Kulat, <i>Chair</i>	J. T. Lindberg
J. M. Agold, <i>Secretary</i>	I. Mach
S. A. Ali	R. K. Mattu
B. A. Bishop	A. McNeill III
J. W. Connor	P. J. O'Regan
H. Q. Do	J. H. Phillips
R. Fougousse	F. A. Simonen
S. R. Gosselin	T. V. Vo
M. R. Graybeal	R. A. West
M. L. Herrera	

**Working Group on Inspection of Systems and Components
(SG-WCS) (SC XI)**

C. D. Cowfer, <i>Chair</i>	I. Mach
J. Whitman, <i>Secretary</i>	T. K. McLellan
G. L. Belew	C. Pendleton
H. Q. Do	C. M. Ross
R. Fougousse	D. Song
T. C. Hinkle	K. B. Thomas
M. R. Hum	E. Throckmorton
S. D. Kulat	R. A. West
J. T. Lindberg	

Working Group on General Requirements (SC XI)

A. T. Roberts III, <i>Chair</i>	R. K. Mattu
R. G. Edl, <i>Secretary</i>	L. Sage
D. A. Graham	R. J. Scott
D. A. Jackson	

Special Working Group on Editing and Review (SC XI)

R. W. Swayne, <i>Chair</i>	J. E. Staffiera
R. L. Beverly	C. J. Wirtz
M. P. Lintz	

Special Working Group on Plant Life Extension (SC XI)

F. E. Gregor, <i>Chair</i>	D. L. Harrison
M. P. Lintz, <i>Secretary</i>	P.-T. Kuo
T. M. Anselmi	T. A. Meyer
W. F. Brady	D. W. Peltola
D. D. Davis	D. A. Piccione
D. A. Graham	V. N. Shah

SUBCOMMITTEE ON TRANSPORT TANKS (SC XII)

A. Selz, <i>Chair</i>	J. W. Rader
P. D. Stumpf, <i>Secretary</i>	M. D. Rana
A. N. Antoniou	C. M. Serratella
C. Becht IV	S. Staniszewski
M. Hennemand	G. R. Stoeckinger
C. H. Hochman	N. Surtees
G. G. Karcher	A. P. Varghese
P. P. Laluc	S. V. Voorhees
G. McRae	C. H. Walters
M. R. Minick	W. L. White

Subgroup on Design and Materials (SC XII)

M. D. Rana, <i>Chair</i>	T. P. Pastor
C. Becht IV	J. L. Rademacher
D. A. Canonico	T. A. Rogers
W. D. Doty	C. M. Serratella
G. G. Karcher	A. P. Varghese
P. P. Laluc	M. R. Ward
M. Manikkam	E. A. Whittle
S. L. McWilliams	

Subgroup on Fabrication and Inspection (SC XII)

S. V. Voorhees, <i>Chair</i>	L. D. Holsinger
M. Burch	D. J. Kreft
D. A. Canonico	G. McRae
M. L. Coats	M. R. Minick
B. L. Gehl	N. Surtees
M. Hennemand	

Subgroup on General Requirements (SC XII)

C. H. Hochman, <i>Chair</i>	J. C. Keenan
T. Alexander	T. B. Lee
A. N. Antoniou	F. A. Licari
J. F. Cannon	G. R. Stoeckinger
J. L. Freiler	C. H. Walters
M. A. Garrett	W. L. White
K. L. Gilmore	L. Wolpert

**SUBCOMMITTEE ON BOILER AND
PRESSURE VESSEL ACCREDITATION (SC-BPVA)**

A. J. Spencer, <i>Chair</i>	R. L. Williams
C. E. Ford, <i>Vice Chair</i>	W. J. Bees, <i>Alternate</i>
K. I. Baron, <i>Secretary</i>	V. A. Bell, <i>Alternate</i>
M. B. Doherty	V. Bogosian, <i>Alternate</i>
D. A. Douin	M. A. De Vries, <i>Alternate</i>
P. D. Edwards	P. D. Flenner, <i>Alternate</i>
R. M. Elliott	L. J. Kuchera, <i>Alternate</i>
R. G. Friend	W. C. LaRochelle, <i>Alternate</i>
R. C. Howard	K. M. McTague, <i>Alternate</i>
A. J. Justin	G. P. Milley, <i>Alternate</i>
B. B. MacDonald	P. G. Scheckermann, <i>Alternate</i>
M. L. Sisk	N. Surtees, <i>Alternate</i>
B. C. Turczynski	

SUBCOMMITTEE ON NUCLEAR ACCREDITATION (SC-NA)

T. E. Quaka, <i>Chair</i>	A. J. Spencer
R. R. Stevenson, <i>Vice Chair</i>	R. E. Ciemiewicz, <i>Alternate</i>
F. E. Zusman, <i>Secretary</i>	S. Dasgupta, <i>Alternate</i>
V. Bogosian	P. D. Edwards, <i>Alternate</i>
M. N. Bressler	S. M. Goodwin, <i>Alternate</i>
G. Deily	D. H. Hanrath, <i>Alternate</i>
F. R. Drahos	R. C. Howard, <i>Alternate</i>
J. E. Harris	K. A. Huber, <i>Alternate</i>
M. Higuchi	A. J. Justin, <i>Alternate</i>
M. Kotb	N. C. Kist, <i>Alternate</i>
W. C. LaRochelle	A. A. Lotfi, <i>Alternate</i>
R. P. McIntyre	O. E. Trapp, <i>Staff Representative</i>
H. B. Prasse	
A. T. Roberts III	

SUBCOMMITTEE ON DESIGN (SC-D)

D. P. Jones, <i>Chair</i>	R. W. Mikitka
E. H. Maradiaga, <i>Secretary</i>	U. R. Miller
R. W. Barnes	W. J. O'Donnell
C. Becht IV	R. D. Schueler, Jr.
G. G. Graven	A. Selz

Subgroup on Design Analysis (SC-D)

M. R. Breach	A. Kalnins
P. J. Conlisk	W. J. Koves
J. L. Hechmer	O. Maekawa
G. L. Hollinger	E. L. Thomas, Jr.
D. P. Jones	R. A. Whipple

Subgroup on Elevated Temperature Design (SC-D)

C. Becht IV, <i>Chair</i>	W. J. O'Donnell
J. M. Corum, <i>Secretary</i>	D. A. Osage
C. R. Brinkman	J. S. Porowski
R. D. Campbell	C. C. Schultz, Jr.
D. S. Griffin	L. K. Severud
R. I. Jetter	D. F. Shaw
C. Lawton	A. L. Snow

Subgroup on Fatigue Strength (SC-D)

W. J. O'Donnell, <i>Chair</i>	C. Lawton
P. R. Donavin	S. Majumdar
J. A. Hayward	M. J. Manjoine
J. L. Hechmer	J. Muscara
D. P. Jones	H. H. Ziada
G. Kharshafdjian	

Subgroup on Openings (SC-D)

R. W. Mikitka, <i>Secretary</i>	J. P. Madden
G. G. Graven	D. R. Palmer
V. T. Hwang	M. D. Rana
R. B. Luney	E. C. Rodabaugh

Special Working Group on Bolted Flanged Joints (SC-D)

R. W. Mikitka, <i>Chair</i>	P. G. Scheckermann
G. D. Bibel	R. W. Schneider
E. Michalopoulos	R. D. Schueler, Jr.
S. N. Pagay	A. Selz

**SUBCOMMITTEE ON
SAFETY VALVE REQUIREMENTS (SC-SVR)**

M. D. Bernstein, <i>Chair</i>	W. F. Hart
U. D'Urso, <i>Secretary</i>	H. D. Michael
J. F. Ball	C. A. Neumann
S. Cammeresi	D. K. Peetz
J. A. Cox	J. W. Reynolds
R. D. Danzy	D. J. Scallan
D. B. De Michael	A. J. Spencer
R. J. Doelling	J. C. Standfast
R. G. Friend	J. A. West
H. I. Gregg	T. J. Ferrigan, <i>Alternate</i>
S. F. Harrison, Jr.	

Subgroup on Design (SC-SVR)

R. G. Friend, <i>Chair</i>	S. R. Irvin, Sr.
R. D. Danzy	A. J. Spencet
D. B. De Michael	T. R. Tarbay
R. J. Doelling	J. A. West
H. I. Gregg	

Subgroup on General Requirements (SC-SVR)

M. D. Bernstein, <i>Chair</i>	C. A. Neumann
J. F. Ball	D. K. Peetz
R. E. Cellieme, Jr.	J. W. Reynolds
J. P. Glaspie	J. W. Richardson
H. D. Michael	J. C. Standfast

Subgroup on Testing (SC-SVR)

S. F. Harrison, Jr., <i>Chair</i>	W. F. Hart
S. Cammeresi	D. J. Scallan
J. A. Cox	B. S. York

INTRODUCTION

The following is a brief introduction to the 1998 Edition of Section IX and cannot be considered as a substitute for the actual review of appropriate sections of the document. However, this introduction is intended to give the reader a better understanding of the purpose and organization of Section IX.

Section IX of the ASME Boiler and Pressure Vessel Code relates to the qualification of welders, welding operators, brazers, and brazing operators, and the procedures employed in welding or brazing in accordance with the ASME Boiler and Pressure Vessel Code and the ASME B31 Code for Pressure Piping. As such, this is an active document subject to constant review, interpretation, and improvement to recognize new developments and research data. Section IX is a document referenced for qualification by various construction codes such as Section I, III, IV, VIII, etc. These particular construction codes apply to specific types of fabrication and may impose additional welding requirements or exemptions to Section IX qualifications. Qualification in accordance with Section IX is not a guarantee that procedures and performance qualifications will be acceptable to a particular construction code.

Section IX establishes the basic criteria for welding and brazing which are observed in the preparation of welding and brazing requirements that affect procedure and performance. It is important that the user of the 1998 Edition of Section IX understand the basic criteria in reviewing the requirements which have been established.

The purpose of the Welding Procedure Specification (WPS) and Procedure Qualification Record (PQR) is to determine that the weldment proposed for construction is capable of having the required properties for its intended application. It is presupposed that the welder or welding operator performing the welding procedure qualification test is a skilled workman. This also applies to the Brazing Procedure Specifications (BPS) and the brazer and brazing operator qualifications. The procedure qualification test is to establish the properties of the weldment or brazement and not the skill of the personnel performing the welding or brazing. In addition, special consideration is given when notch toughness is required by other Sections of the Code. The notch-toughness

variables do not apply unless referenced by the construction codes.

In Welder or Brazer/Brazing Operator Performance Qualification, the basic criterion is to determine the ability to deposit sound weld metal, or to make a sound braze. In Welding Operator Performance Qualification, the basic criterion is to determine the mechanical ability of the welding operator to operate the equipment.

In developing the present Section IX, each welding process and brazing process that was included was reviewed with regard to those items (called variables) which have an affect upon the welding or brazing operations as applied to procedure or performance criteria.

The user of Section IX should be aware of how Section IX is organized. It is divided into two parts: welding and brazing. Each part is then divided into four articles. These articles deal with the following:

- (a) general requirements (Article I Welding and Article XI Brazing)
- (b) procedure qualifications (Article II Welding and Article XII Brazing)
- (c) performance qualifications (Article III Welding and Article XIII Brazing)
- (d) data (Article IV Welding and Article XIV Brazing)

These articles contain general references and guides that apply to procedure and performance qualifications such as positions, type and purpose of various mechanical tests, acceptance criteria, and the applicability of Section IX, which was in the Preamble of the 1980 Section IX (the Preamble has been deleted). The general requirement articles reference the data articles for specifics of the testing equipment and removal of the mechanical test specimens.

PROCEDURE QUALIFICATIONS

Each process that has been evaluated by Section IX is listed separately with the essential and nonessential variables as they apply to that particular process. In general, the Welding Procedure Specifications (WPS) and the Brazing Procedure Specifications (BPS) are to list all essential and nonessential variables for each process that is included under that particular procedure

specification. If a change is made in any essential variable, requalification of the procedure is required. If a change is made in a nonessential variable, the procedure need only be revised or amended to address the nonessential variable change. When notch toughness is required by the construction code, the supplementary essential variables become additional essential variables and a change requires requalification of the procedure.

In addition to covering various processes, there are also rules for procedure qualification of corrosion-resistant weld metal overlay and hard-facing weld metal overlay.

PERFORMANCE QUALIFICATIONS

These articles list separately the various welding and brazing processes with the essential variables that apply to the performance qualifications of each process. The welder, brazer, and brazing operator qualifications are limited by essential variables.

The performance qualification articles have numerous paragraphs describing general applicable variables for all processes. QW-350 and QB-350 list additional essential variables which are applicable for specific processes. The QW-350 variables do not apply to welding operators. QW-360 lists the additional essential variables for welding operators.

Generally, a welder or welding operator may be qualified by mechanical bending tests, radiography of a test plate, or radiography of the initial production weld. Brazers or brazing operators may not be qualified by radiography.

WELDING AND BRAZING DATA

The welding and brazing data articles include the variables grouped into categories such as joints, base materials and filler materials, positions, preheat/postweld heat treatment, gas, electrical characteristics, and technique. They are referenced from other articles as they apply to each process.

These articles are frequently misused by selecting variables that do not apply to a particular process. Variables (QW-402 to QW-410 and QB-402 to QB-410) only apply as referenced for the applicable process in Article II or Article III for welding and Article XII or Article XIII for brazing. The user of Section IX should not try to apply any variable which is not

referenced for that process in QW-250, QW-350, QW-360, QB-250, or QB-350.

These articles also include assignments of P-Numbers and F-Numbers to particular base materials and filler materials. Article IV also includes A-Number tables for reference by the manufacturer.

Beginning with the 1994 Addenda, the welding P-Numbers, brazing P-Numbers, and nonmandatory S-Numbers were consolidated into one table identified as QW/QB-422. Both the QB-422 table (brazing P-Numbers) and Appendix C table (S-Numbers) were deleted. The new QW/QB-422 table was divided into ferrous and nonferrous sections. Metals were listed in numerical order by material specification number to aid users in locating the appropriate grouping number. An abbreviated listing of metals grouped by P-Numbers, Appendix D, has been included for users still wishing to locate groupings of metals by welding P-Number.

The QW-451 and QB-451 tables for procedure qualification thickness requirements and the QW-452 and QB-452 tables for performance thickness qualifications are given and may only be used as referenced by other paragraphs. Generally, the appropriate essential variables reference these tables.

Revisions to the 1980 Edition of Section IX introduced new definitions for position and added a fillet weld orientation sketch to complement the groove-weld orientation sketch. The new revision to position indicates that a welder qualifies in the 1G, 2G, 3G, etc., position and is then qualified to weld, in production, in the F, V, H, or O positions as appropriate. QW-461.9 is a revised table that summarizes these new qualifications.

The data articles also give sketches of coupon orientations, removal of test specimens, and test jig dimensions. These are referenced by Articles I and XI.

QW-470 describes etching processes and reagents.

At the end of Articles IV and XIV is a list of general definitions applicable to Section IX, welding and brazing, respectively. These may differ slightly from other welding documents.

Nonmandatory Forms for welding and brazing procedure and performance qualifications appear in Appendix B. These forms are provided for the aid of those who do not wish to design their own forms. Any form(s) that address all applicable requirements of Section IX may be used.

The 2001 Edition of the Code contains both U.S. Customary and SI units. In all cases, the U.S. Customary units are the standard and SI units are provided for the convenience of the user.

SUMMARY OF CHANGES

The 2001 Edition of this Code contains revisions in addition to the 1998 Edition with 1999 and 2000 Addenda. The revisions are identified with the designation **01** in the margin and, as described in the Foreword, become mandatory six months after the publication date of the 2001 Edition. To invoke these revisions before their mandatory date, use the designation "2001 Edition" in documentation required by this Code. If you choose not to invoke these revisions before their mandatory date, use the designation "1998 Edition through the 2000 Addenda" in documentation required by this Code.

Changes given below are identified on the pages by a margin note, **01**, placed next to the affected area.

Page	Location	Change
5	QW-153.1	(1) Subparagraph (d) revised (2) Subparagraph (e) added (3) QW-153.1.1 deleted
16	QW-202.2	(1) Subparagraph (c) revised (2) Subparagraph (d) deleted
	QW-202.4	Subparagraph (b)(1) revised
21	QW-253	QW-410.9 added
29	QW-256	QW-404.50 added
45	QW-283.4	Revised in its entirety
47, 48	QW-300.3	Fifth paragraph revised
	QW-301.4	Last sentence revised
54	QW-381	Subparagraphs (a) and (c) revised
	QW-382	Subparagraphs (a) and (c) revised
58	QW-403.16	Revised
61	QW-404.50	Added
63	QW-408.2	Last paragraph added
	QW-408.9	Revised
	QW-408.10	Revised
68	QW-420.2	First sentence added
69-130	QW/QB-422	Revised
188, 190, 192	QW/QB-492	Definitions of <i>brazing, torch; oscillation; and weave bead</i> revised
200	QB-153.1	(1) First sentence added (2) Subparagraph (d) added (3) QB-153.1.1 deleted
215	QB-402.1	Last paragraph revised
	QB-402.2	Revised
	QB-406.1	Revised
219	QB-451.3	Note (2) added
236	QB-463.2(c)	Revised
246, 247	Form QW-484	Revised in its entirety

<i>Page</i>	<i>Location</i>	<i>Change</i>
254	Appendix D	For P-No.1 Grp. No. 1, SA/EN 10028-2 added
261	Appendix D	For P-No. 8 Grp. No. 4, SA-403 added
262	Appendix D	For P-No. 10C Grp. No. 1, SA-841 deleted
265–268	Appendix D	<ul style="list-style-type: none"> (1) For P-No. 44, SB-333, SB-335, SB-366, SB-564, SB0-619, and SB-622 added (2) For P-No. 44, Grade or UNS No. N10629 added for SB-626 (3) For P-No. 45, Grade or UNS Nos. N08031 and R20033 added for SB-564, SB-581, SB-619, SB-622, SB-625, SB-626, and SB-649 (4) For P-No. 46, Grade or UNS No. N06045 added for SB-166, SB-167, SB-168, SB-366, SB-516, SB-517, and SB-564 (5) For P-Nos. 51, 52, and 53, SB-337 deleted (6) For P-Nos. 51, 52, and 53, SB-861 and SB-862 added

NOTE:

Volume 48 of the Interpretations to Section IX of the ASME Boiler and Pressure Vessel Code follows the last page of the Edition to Section IX.

PART QW WELDING

ARTICLE I

WELDING GENERAL REQUIREMENTS

QW-100 GENERAL

Section IX of the ASME Boiler and Pressure Vessel Code relates to the qualification of welders, welding operators, brazers, and brazing operators, and the procedures that they employ in welding and brazing according to the ASME Boiler and Pressure Vessel Code and the ASME B31 Code for Pressure Piping. It is divided into two parts: Part QW gives requirements for welding and Part QB contains requirements for brazing. Other Sections of the Code may specify different requirements than those specified by this Section. Such requirements take precedence over those of this Section, and the manufacturer or contractor shall comply with them.

QW-100.1 A Welding Procedure Specification (WPS) is a written document that provides direction to the welder or welding operator for making production welds in accordance with Code requirements. Any WPSs used by a manufacturer or contractor that will have responsible operational control of production welding shall be a WPS that has been qualified by that manufacturer or contractor in accordance with Article II, or it shall be an AWS Standard Welding Procedure Specification (SWPS) listed in Appendix E and adopted by that manufacturer or contractor in accordance with Article V.

Both WPSs and SWPSs specify the conditions (including ranges, if any) under which welding must be performed. These conditions include the base metals that are permitted, the filler metals that must be used (if any), preheat and postweld heat treatment requirements, etc. Such conditions are referred to in this Section as welding "variables."

When a WPS is to be prepared by the manufacturer or contractor, it must address, as a minimum, the specific variables, both essential and nonessential, as provided in Article II for each process to be used in production welding. In addition, when other Sections

of the Code require notch toughness qualification of the WPS, the applicable supplementary essential variables must be addressed in the WPS.

The purpose for qualification of a WPS is to determine that the weldment proposed for construction is capable of providing the required properties for its intended application. Welding procedure qualification establishes the properties of the weldment, not the skill of the welder or welding operator.

The Procedure Qualification Record (PQR) documents what occurred during welding the test coupon and the results of testing of the coupon. As a minimum, the PQR shall document the essential variables and other specific information identified in Article II for each process used during welding the test coupon and the results of the required testing. In addition, when notch toughness testing is required for procedure qualification, the applicable supplementary essential variables for each process shall be recorded.

QW-100.2 In performance qualification, the basic criterion established for welder qualification is to determine the welder's ability to deposit sound weld metal. The purpose of the performance qualification test for the welding operator is to determine the welding operator's mechanical ability to operate the welding equipment.

QW-100.3 Welding Procedure Specifications (WPS) written and qualified in accordance with the rules of this Section, and welders and welding operators of automatic and machine welding equipment also qualified in accordance with these rules may be used in any construction built to the requirements of the ASME Boiler and Pressure Vessel Code or the ASME B31 Code for Pressure Piping.

However, other Sections of the Code state the conditions under which Section IX requirements are mandatory, in whole or in part, and give additional require-

ments. The reader is advised to take these provisions into consideration when using this Section.

Welding Procedure Specifications, Procedure Qualification Records, and Welder/Welding Operator Performance Qualification made in accordance with the requirements of the 1962 Edition or any later Edition of Section IX may be used in any construction built to the ASME Boiler and Pressure Vessel Code or the ASME B31 Code for Pressure Piping.

Welding Procedure Specifications, Procedure Qualification Records, and Welder/Welding Operator Performance Qualification made in accordance with the requirements of the Editions of Section IX prior to 1962, in which all of the requirements of the 1962 Edition or later Editions are met, may also be used.

Welding Procedure Specifications and Welder/Welding Operator Performance Qualification records meeting the above requirements do not need to be amended to include any variables required by later Editions and Addenda.

Qualification of new Welding Procedure Specifications or Welders/Welding Operators and requalification of existing Welding Procedure Specifications or Welders/Welding Operators shall be in accordance with the current Edition (see Foreword) and Addenda of Section IX.

QW-101 Scope

The rules in this Section apply to the preparation of Welding Procedure Specifications and the qualification of welding procedures, welders, and welding operators for all types of manual and machine welding processes permitted in this Section. These rules may also be applied, insofar as they are applicable, to other manual or machine welding processes permitted in other Sections.

QW-102 Terms and Definitions

Some of the more common terms relating to welding and brazing are defined in QW/QB-492.

Wherever the word pipe is designated, tube shall also be applicable.

QW-103 Responsibility

QW-103.1 Welding. Each manufacturer¹ or contractor¹ is responsible for the welding done by his organization and shall conduct the tests required in this Section

¹ Wherever these words are used in Section IX, they shall include installer or assembler.

to qualify the welding procedures he uses in the construction of the weldments built under this Code, and the performance of welders and welding operators who apply these procedures.

QW-103.2 Records. Each manufacturer or contractor shall maintain a record of the results obtained in welding procedure and welder and welding operator performance qualifications. These records shall be certified by the manufacturer or contractor and shall be accessible to the Authorized Inspector. Refer to recommended Forms in Nonmandatory Appendix B.

QW-110 WELD ORIENTATION

The orientations of welds are illustrated in QW-461.1 or QW-461.2.

QW-120 TEST POSITIONS FOR GROOVE WELDS

Groove welds may be made in test coupons oriented in any of the positions in QW-461.3 or QW-461.4 and as described in the following paragraphs, except that an angular deviation of ± 15 deg from the specified horizontal and vertical planes, and an angular deviation of ± 5 deg from the specified inclined plane are permitted during welding.

QW-121 Plate Positions

QW-121.1 Flat Position 1G. Plate in a horizontal plane with the weld metal deposited from above. Refer to QW-461.3 sketch (a).

QW-121.2 Horizontal Position 2G. Plate in a vertical plane with the axis of the weld horizontal. Refer to QW-461.3 sketch (b).

QW-121.3 Vertical Position 3G. Plate in a vertical plane with the axis of the weld vertical. Refer to QW-461.3 sketch (c).

QW-121.4 Overhead Position 4G. Plate in a horizontal plane with the weld metal deposited from underneath. Refer to QW-461.3 sketch (d).

QW-122 Pipe Positions

QW-122.1 Flat Position 1G. Pipe with its axis horizontal and rolled during welding so that the weld metal is deposited from above. Refer to QW-461.4 sketch (a).

QW-122.2 Horizontal Position 2G. Pipe with its axis vertical and the axis of the weld in a horizontal plane. Pipe shall not be rotated during welding. Refer to QW-461.4 sketch (b).

QW-122.3 Multiple Position 5G. Pipe with its axis horizontal and with the welding groove in a vertical plane. Welding shall be done without rotating the pipe. Refer to QW-461.4 sketch (c).

QW-122.4 Multiple Position 6G. Pipe with its axis inclined at 45 deg to horizontal. Welding shall be done without rotating the pipe. Refer to QW-461.4 sketch (d).

QW-123 Test Positions for Stud Welds

QW-123.1 Stud Welding. Stud welds may be made in test coupons oriented in any of the positions as described in QW-121 for plate and QW-122 for pipe (excluding QW-122.1). In all cases, the stud shall be perpendicular to the surface of the plate or pipe. See QW-461.7 and QW-461.8.

QW-130 TEST POSITIONS FOR FILLET WELDS

Fillet welds may be made in test coupons oriented in any of the positions of QW-461.5 or QW-461.6, and as described in the following paragraphs, except that an angular deviation of ± 15 deg from the specified horizontal and vertical planes is permitted during welding.

QW-131 Plate Positions

QW-131.1 Flat Position 1F. Plates so placed that the weld is deposited with its axis horizontal and its throat vertical. Refer to QW-461.5 sketch (a).

QW-131.2 Horizontal Position 2F. Plates so placed that the weld is deposited with its axis horizontal on the upper side of the horizontal surface and against the vertical surface. Refer to QW-461.5 sketch (b).

QW-131.3 Vertical Position 3F. Plates so placed that the weld is deposited with its axis vertical. Refer to QW-461.5 sketch (c).

QW-131.4 Overhead Position 4F. Plates so placed that the weld is deposited with its axis horizontal on the underside of the horizontal surface and against the vertical surface. Refer to QW-461.5 sketch (d).

QW-132 Pipe Positions

QW-132.1 Flat Position 1F. Pipe with its axis inclined at 45 deg to horizontal and rotated during welding so that the weld metal is deposited from above and at the point of deposition the axis of the weld is horizontal and the throat vertical. Refer to QW-461.6 sketch (a).

QW-132.2 Horizontal Positions 2F and 2FR

(a) *Position 2F.* Pipe with its axis vertical so that the weld is deposited on the upper side of the horizontal surface and against the vertical surface. The axis of the weld will be horizontal and the pipe is not to be rotated during welding. Refer to QW-461.6 sketch (b).

(b) *Position 2FR.* Pipe with its axis horizontal and the axis of the deposited weld in the vertical plane. The pipe is rotated during welding. Refer to QW-461.6 sketch (c).

QW-132.3 Overhead Position 4F. Pipe with its axis vertical so that the weld is deposited on the underside of the horizontal surface and against the vertical surface. The axis of the weld will be horizontal and the pipe is not to be rotated during welding. Refer to QW-461.6 sketch (d).

QW-132.4 Multiple Position 5F. Pipe with its axis horizontal and the axis of the deposited weld in the vertical plane. The pipe is not to be rotated during welding. Refer to QW-461.6 sketch (e).

QW-140 TYPES AND PURPOSES OF TESTS AND EXAMINATIONS

QW-141 Mechanical Tests

Mechanical tests used in procedure or performance qualification are as follows.

QW-141.1 Tension Tests. Tension tests as described in QW-150 are used to determine the ultimate strength of groove-weld joints.

QW-141.2 Guided-Bend Tests. Guided-bend tests as described in QW-160 are used to determine the degree of soundness and ductility of groove-weld joints.

QW-141.3 Fillet-Weld Tests. Tests as described in QW-180 are used to determine the size, contour, and degree of soundness of fillet welds.

QW-141.4 Notch-Toughness Tests. Tests as described in QW-171 and QW-172 are used to determine the notch toughness of the weldment.

QW-141.5 Stud-Weld Test. Deflection bend, hammering, torque, or tension tests as shown in QW-466.4, QW-466.5, and QW-466.6, and a macro-examination performed in accordance with QW-202.5, respectively, are used to determine acceptability of stud welds.

QW-142 Special Examinations for Welders

Radiographic examination may be substituted for mechanical testing of QW-141 for groove-weld performance qualification as permitted in QW-304 to prove the ability of welders to make sound welds.

QW-143 Examination for Welding Operators

An examination of a weld by radiography may be substituted for mechanical testing of QW-141 for groove weld performance qualification as permitted in QW-305 to prove the ability of welding operators to make sound welds.

QW-144 Visual Examination

Visual examination as described in QW-194 is used to determine that the final weld surfaces meet specified quality conditions.

QW-150 TENSION TESTS

QW-151 Specimens

Tension test specimens shall conform to one of the types illustrated in QW-462.1(a) through QW-462.1(e) and shall meet the requirements of QW-153.

QW-151.1 Reduced Section — Plate. Reduced-section specimens conforming to the requirements given in QW-462.1(a) may be used for tension tests on all thicknesses of plate.

(a) For thicknesses up to and including 1 in. (25 mm), a full thickness specimen shall be used for each required tension test.

(b) For plate thickness greater than 1 in. (25 mm), full thickness specimens or multiple specimens may be used, provided QW-151.1(c) and QW-151.1(d) are complied with.

(c) When multiple specimens are used, in lieu of full thickness specimens, each set shall represent a single tension test of the full plate thickness. Collectively, all of the specimens required to represent the full thickness of the weld at one location shall comprise a set.

(d) When multiple specimens are necessary, the entire thickness shall be mechanically cut into a minimum

number of approximately equal strips of a size that can be tested in the available equipment. Each specimen of the set shall be tested and meet the requirements of QW-153.

QW-151.2 Reduced Section — Pipe. Reduced-section specimens conforming to the requirements given in QW-462.1(b) may be used for tension tests on all thicknesses of pipe having an outside diameter greater than 3 in. (76 mm).

(a) For thicknesses up to and including 1 in. (25 mm), a full thickness specimen shall be used for each required tension test.

(b) For pipe thicknesses greater than 1 in. (25 mm), full thickness specimens or multiple specimens may be used, provided QW-151.2(c) and QW-151.2(d) are complied with.

(c) When multiple specimens are used, in lieu of full thickness specimens, each set shall represent a single tension test of the full pipe thickness. Collectively, all of the specimens required to represent the full thickness of the weld at one location shall comprise a set.

(d) When multiple specimens are necessary, the entire thickness shall be mechanically cut into a minimum number of approximately equal strips of a size that can be tested in the available equipment. Each specimen of the set shall be tested and meet the requirements of QW-153.

For pipe having an outside diameter of 3 in. (76 mm) or less, reduced-section specimens conforming to the requirements given in QW-462.1(c) may be used for tension tests.

QW-151.3 Turned Specimens. Turned specimens conforming to the requirements given in QW-462.1(d) may be used for tension tests.

(a) For thicknesses up to and including 1 in. (25 mm), a single turned specimen may be used for each required tension test, which shall be a specimen of the largest diameter D of QW-462.1(d) possible for test coupon thickness [per Note (a) of QW-462.1(d)].

(b) For thicknesses over 1 in. (25 mm), multiple specimens shall be cut through the full thickness of the weld with their centers parallel to the metal surface and not over 1 in. (25 mm) apart. The centers of the specimens adjacent to the metal surfaces shall not exceed $\frac{5}{8}$ in. (16 mm) from the surface.

(c) When multiple specimens are used, each set shall represent a single required tension test. Collectively, all the specimens required to represent the full thickness of the weld at one location shall comprise a set.

(d) Each specimen of the set shall be tested and meet the requirements of QW-153.

QW-151.4 Full-Section Specimens for Pipe. Tension specimens conforming to the dimensions given in QW-462.1(e) may be used for testing pipe with an outside diameter of 3 in. (76 mm) or less.

QW-152 Tension Test Procedure

The tension test specimen shall be ruptured under tensile load. The tensile strength shall be computed by dividing the ultimate total load by the least cross-sectional area of the specimen as calculated from actual measurements made before the load is applied.

QW-153 Acceptance Criteria — Tension Tests

01 **QW-153.1 Tensile Strength.** Minimum values for procedure qualification are provided under the column heading "Minimum Specified Tensile, ksi" of QW/QB-422. In order to pass the tension test, the specimen shall have a tensile strength that is not less than:

(a) the minimum specified tensile strength of the base metal; or

(b) the minimum specified tensile strength of the weaker of the two, if base metals of different minimum tensile strengths are used; or

(c) the minimum specified tensile strength of the weld metal when the applicable Section provides for the use of weld metal having lower room temperature strength than the base metal;

(d) if the specimen breaks in the base metal outside of the weld or weld interface, the test shall be accepted as meeting the requirements, provided the strength is not more than 5% below the minimum specified tensile strength of the base metal.

(e) the specified minimum tensile strength is for full thickness specimens including cladding for Aluminum Alclad materials (P-No. 21 through P-No. 23) 0.499 in. (12.5 mm) and less. For Aluminum Alclad materials 0.5 in. (13 mm) and greater, the specified minimum tensile strength is for both full thickness specimens that include cladding and specimens taken from the core.

QW-160 GUIDED-BEND TESTS

QW-161 Specimens

Guided-bend test specimens shall be prepared by cutting the test plate or pipe to form specimens of approximately rectangular cross section. The cut surfaces shall be designated the sides of the specimen.

The other two surfaces shall be called the face and root surfaces, the face surface having the greater width of weld. The specimen thickness and bend radius are shown in QW-466.1, QW-466.2, and QW-466.3. Guided-bend specimens are of five types, depending on whether the axis of the weld is transverse or parallel to the longitudinal axis of the specimen, and which surface (side, face, or root) is on the convex (outer) side of bent specimen. The five types are defined as follows.

QW-161.1 Transverse Side Bend. The weld is transverse to the longitudinal axis of the specimen, which is bent so that one of the side surfaces becomes the convex surface of the bent specimen. Transverse side-bend test specimens shall conform to the dimensions shown in QW-462.2.

Specimens of base metal thickness over 1½ in. (38 mm) may be cut into approximately equal strips between ¾ in. (19 mm) and 1½ in. (38 mm) wide for testing, or the specimens may be bent at full width (see requirements on jig width in QW-466). If multiple specimens are used, one complete set shall be made for each required test. Each specimen shall be tested and meet the requirements in QW-163.

QW-161.2 Transverse Face Bend. The weld is transverse to the longitudinal axis of the specimen, which is bent so that the face surface becomes the convex surface of the bent specimen. Transverse face-bend test specimens shall conform to the dimensions shown in QW-462.3(a). For subsize transverse face bends, see QW-161.4.

QW-161.3 Transverse Root Bend. The weld is transverse to the longitudinal axis of the specimen, which is bent so that the root surface becomes the convex surface of the bent specimen. Transverse root-bend test specimens shall conform to the dimensions shown in QW-462.3(a). For subsize transverse root bends, see QW-161.4.

QW-161.4 Subsize Transverse Face and Root Bends. See Note (2) of QW-462.3(a).

QW-161.5 Longitudinal-Bend Tests. Longitudinal-bend tests may be used in lieu of the transverse side-, face-, and root-bend tests for testing weld metal or base metal combinations which differ markedly in bending properties between

(a) the two base metals; or

(b) the weld metal and the base metal.

QW-161.6 Longitudinal Face Bend. The weld is parallel to the longitudinal axis of the specimen, which

is bent so that the face surface becomes the convex surface of the bent specimen. Longitudinal face-bend test specimens shall conform to the dimensions shown in QW-462.3(b).

QW-161.7 Longitudinal Root Bend. The weld is parallel to the longitudinal axis of the specimen, which is bent so that the root surface becomes the convex side of the bent specimen. Longitudinal root-bend test specimens shall conform to the dimensions shown in QW-462.3(b).

QW-162 Guided-Bend Test Procedure

QW-162.1 Jigs. Guided-bend specimens shall be bent in test jigs that are in substantial accordance with QW-466. When using the jigs illustrated in QW-466.1 or QW-466.2, the side of the specimen turned toward the gap of the jig shall be the face for face-bend specimens, the root for root-bend specimens, and the side with the greater discontinuities, if any, for side-bend specimens. The specimen shall be forced into the die by applying load on the plunger until the curvature of the specimen is such that a $\frac{1}{8}$ in. (3.2 mm) diameter wire cannot be inserted between the specimen and the die of QW-466.1, or the specimen is bottom ejected if the roller type of jig (QW-466.2) is used.

When using the wrap around jig (QW-466.3), the side of the specimen turned toward the roller shall be the face for face-bend specimens, the root for root-bend specimens, and the side with the greater discontinuities, if any, for side-bend specimens.

When specimens wider than $1\frac{1}{2}$ in. (38 mm) are to be bent as permitted in QW-462.2, the test jig mandrel must be at least $\frac{1}{4}$ in. (6 mm) wider than the specimen width.

QW-163 Acceptance Criteria — Bend Tests

The weld and heat-affected zone of a transverse weld-bend specimen shall be completely within the bent portion of the specimen after testing.

The guided-bend specimens shall have no open discontinuities in the weld or heat-affected zone exceeding $\frac{1}{8}$ in. (3.2 mm), measured in any direction on the convex surface of the specimen after bending. Open discontinuities occurring on the corners of the specimen during testing shall not be considered unless there is definite evidence that they result from lack of fusion, slag inclusions, or other internal discontinuities. For corrosion-resistant weld overlay cladding, no open discontinuity exceeding $\frac{1}{16}$ in. (1.6 mm), measured in any direction, shall be permitted in the cladding, and

no open discontinuities exceeding $\frac{1}{8}$ in. (3.2 mm) shall be permitted along the approximate weld interface.

QW-170 NOTCH-TOUGHNESS TESTS

QW-171 Notch-Toughness Tests — Charpy V-Notch

QW-171.1 General. Charpy V-notch impact tests shall be made when required by other Sections.

Test procedures and apparatus shall conform to the requirements of SA-370.

QW-171.2 Acceptance. The acceptance criteria shall be in accordance with that Section specifying impact requirements.

QW-171.3 Location and Orientation of Test Specimen. The impact test specimen and notch location and orientation shall be as given in the Section requiring such tests.

When qualifying pipe in the 5G or 6G position, the notch-toughness specimens shall be removed from the shaded portion of QW-463.1(f).

QW-172 Notch-Toughness Tests — Drop Weight

QW-172.1 General. Drop weight tests shall be made when required by other Sections.

Test procedures and apparatus shall conform to the requirements of ASTM Specification E 208.

QW-172.2 Acceptance. The acceptance criteria shall be in accordance with that Section requiring drop weight tests.

QW-172.3 Location and Orientation of Test Specimen. The drop weight test specimen, the crack starter location, and the orientation shall be as given in the Section requiring such tests.

When qualifying pipe in the 5G or 6G position, the notch-toughness specimens shall be removed from the shaded portion of QW-463.1(f).

QW-180 FILLET-WELD TESTS

QW-181 Procedure and Performance Qualification Specimens

QW-181.1 Procedure. The dimensions and preparation of the fillet-weld test coupon for procedure qualification as required in QW-202 shall conform to the requirements in QW-462.4(a) or QW-462.4(d). The test coupon for plate-to-plate shall be cut transversely to

provide five test specimen sections, each approximately 2 in. (51 mm) long. For pipe-to-plate or pipe-to-pipe, the test coupon shall be cut transversely to provide four approximately equal test specimen sections. The test specimens shall be macro-examined to the requirements of QW-183.

QW-181.1.1 Production Assembly Mockups.

Production assembly mockups may be used in lieu of QW-181.1. The mockups for plate-to-shape shall be cut transversely to provide five approximately equal test specimens not to exceed approximately 2 in. (51 mm) in length. For pipe-to-shape mockups, the mockup shall be cut transversely to provide four approximately equal test specimens. For small mockups, multiple mockups may be required to obtain the required number of test specimens. The test specimens shall be macro-examined to the requirements of QW-183.

QW-181.2 Performance. The dimensions and the preparation of the fillet-weld test coupon for performance qualification shall conform to the requirements in QW-462.4(b) or QW-462.4(c). The test coupon for plate-to-plate shall be cut transversely to provide a center section approximately 4 in. (102 mm) long and two end sections, each approximately 1 in. (25 mm) long. For pipe-to-plate or pipe-to-pipe, the test coupon shall be cut to provide two quarter sections test specimens opposite to each other. One of the test specimens shall be fracture tested in accordance with QW-182 and the other macro-examined to the requirements of QW-184. When qualifying pipe-to-plate or pipe-to-pipe in the 5F position, the test specimens shall be removed as indicated in QW-463.2(h).

QW-181.2.1 Production Assembly Mockups.

Production assembly mockups may be used in lieu of the fillet-weld test coupon requirements of QW-181.2.

(a) Plate-to-shape

(1) The mockup for plate-to-shape shall be cut transversely to provide three approximately equal test specimens not to exceed approximately 2 in. (51 mm) in length. The test specimen that contains the start and stop of the weld shall be fracture tested in accordance with QW-182. A cut end of one of the remaining test specimens shall be macro-examined in accordance with QW-184.

(b) Pipe-to-shape

(1) The mockup for pipe-to-shape shall be cut transversely to provide two quarter sections approximately opposite to each other. The test specimen that contains the start and stop of the weld shall be fracture tested in accordance with QW-182. A cut end of the other quarter section shall be macro-examined in

accordance with QW-184. When qualifying pipe-to-shape in the 5F position, the fracture specimen shall be removed from the lower 90 deg section of the mockup.

QW-182 Fracture Tests

The stem of the 4 in. performance specimen center section in QW-462.4(b) or the stem of the quarter section in QW-462.4(c), as applicable, shall be loaded laterally in such a way that the root of the weld is in tension. The load shall be steadily increased until the specimen fractures or bends flat upon itself.

If the specimen fractures, the fractured surface shall show no evidence of cracks or incomplete root fusion, and the sum of the lengths of inclusions and porosity visible on the fractured surface shall not exceed $\frac{3}{8}$ in. (10 mm) in QW-462.4(b) or 10% of the quarter section in QW-462.4(c).

QW-183 Macro-Examination — Procedure Specimens

One face of each cross section of the five test specimens in QW-462.4(a) or four test specimens in QW-462.4(d), as applicable shall be smoothed and etched with a suitable etchant (see QW-470) to give a clear definition to the weld metal and heat affected zone. The examination of the cross sections shall include only one side of the test specimen at the area where the plate or pipe is divided into sections i.e., adjacent faces at the cut shall not be used. In order to pass the test:

Visual examination of the cross sections of the weld metal and heat affected zone shall show complete fusion and freedom from cracks; and

There shall not be more than $\frac{1}{8}$ in. (3.2 mm) difference in the length of the legs of the fillet.

QW-184 Macro-Examination — Performance Specimens

The cut end of one of the end plate sections, approximately 1 in. long, in QW-462.4(b) or the cut end of one of the pipe quarter sections in QW-462.4(c), as applicable, shall be smoothed and etched with a suitable etchant (see QW-470) to give a clear definition of the weld metal and heat affected zone. In order to pass the test:

Visual examination of the cross section of the weld metal and heat affected zone shall show complete fusion and freedom from cracks, except that linear indications

at the root not exceeding $\frac{1}{32}$ in. (0.8 mm) shall be acceptable; and

The weld shall not have a concavity or convexity greater than $\frac{1}{16}$ in. (1.6 mm); and

There shall be not more than $\frac{1}{8}$ in. (3.2 mm) difference in the lengths of the legs of the fillet.

QW-190 OTHER TESTS AND EXAMINATIONS

QW-191 Radiographic Examination

QW-191.1 Method. The radiographic examination in QW-142 for welders and in QW-143 for welding operators shall meet the requirements of Article 2, Section V, except as follows.

(a) A written radiographic examination procedure is not required. Demonstration of density and penetrameter image requirements on production or technique radiographs shall be considered satisfactory evidence of compliance with Article 2 of Section V.

(b) The requirements of T-285 of Article 2 of Section V are to be used only as a guide. Final acceptance of radiographs shall be based on the ability to see the prescribed penetrameter image and the specified hole or the designated wire or a wire penetrameter. The acceptance standards of QW-191.2 shall be met.

QW-191.2 Radiographic Acceptance Criteria

QW-191.2.1 Terminology

Linear Indications. Cracks, incomplete fusion, inadequate penetration, and slag are represented on the radiograph as linear indications in which the length is more than three times the width.

Rounded Indications. Porosity and inclusions such as slag or tungsten are represented on the radiograph as rounded indications with a length three times the width or less. These indications may be circular, elliptical, or irregular in shape; may have tails; and may vary in density.

QW-191.2.2 Acceptance Standards. Welder and welding operator performance tests by radiography of welds in test assemblies shall be judged unacceptable when the radiograph exhibits any imperfections in excess of the limits specified below.

(a) Linear Indications

(1) any type of crack or zone of incomplete fusion or penetration;

(2) any elongated slag inclusion which has a length greater than:

(a) $\frac{1}{8}$ in. (3.2 mm) for t up to $\frac{3}{8}$ in. (10 mm), inclusive

(b) $\frac{1}{3}t$ for t over $\frac{3}{8}$ in. (10 mm) to $2\frac{1}{4}$ in. (57 mm), inclusive

(c) $\frac{3}{4}$ in. (19 mm) for t over $2\frac{1}{4}$ in. (57 mm)

(3) any group of slag inclusions in line that have an aggregate length greater than t in a length of $12t$, except when the distance between the successive imperfections exceeds $6L$ where L is the length of the longest imperfection in the group.

(b) Rounded Indications

(1) The maximum permissible dimension for rounded indications shall be 20% of t or $\frac{1}{8}$ in. (3.2 mm), whichever is smaller.

(2) For welds in material less than $\frac{1}{8}$ in. (3.2 mm) in thickness, the maximum number of acceptable rounded indications shall not exceed 12 in a 6 in. (152 mm) length of weld. A proportionately fewer number of rounded indications shall be permitted in welds less than 6 in. (152 mm) in length.

(3) For welds in material $\frac{1}{8}$ in. (3.2 mm) or greater in thickness, the charts in Appendix I represent the maximum acceptable types of rounded indications illustrated in typically clustered, assorted, and randomly dispersed configurations. Rounded indications less than $\frac{1}{32}$ in. (0.8 mm) in maximum diameter shall not be considered in the radiographic acceptance tests of welders and welding operators in these ranges of material thicknesses.

QW-191.2.3 Production Welds. The acceptance standard for welding operators who qualify on production welds shall be that specified in the referencing Code Section. The acceptance standard for welders who qualify on production welds as permitted by QW-304.1 shall be per QW-191.2.2.

QW-191.3 Record of Tests. The results of welder and welding operator performance tests by radiography shall be recorded in accordance with QW-301.4.

QW-192 Stud-Weld Tests — Procedure Qualification Specimens

QW-192.1 Required Tests. Ten stud-weld tests are required to qualify each procedure. The equipment used for stud welding shall be completely automatic except for manual starting.

Every other welding stud (five joints) shall be tested either by hammering over until one-fourth of its length is flat on the test piece, or by bending the stud to an angle of at least 15 deg and returning it to its original position using a test jig and an adapter location dimension that are in accordance with QW-466.4.

The remaining five welded stud joints shall be tested in torque using a torque testing arrangement that is substantially in accordance with QW-466.5. Alternatively, where torquing is not feasible, tensile testing may be used, and the fixture for tensile testing shall be similar to that shown in QW-466.6 except that studs without heads may be gripped on the unwelded end in the jaws of the tensile testing machine.

QW-192.2 Acceptance Criteria — Bend and Hammer Tests. In order to pass the test(s), each of the five stud welds and heat affected zones shall be free of visible separation or fracture after bending and return bending or after hammering.

QW-192.3 Acceptance Criteria — Torque Tests. In order to pass the test(s), each of the five stud welds shall be subjected to the required torque shown in the following table before failure occurs.

Required Torque for Testing Threaded Carbon Steel Studs		
Nominal Diameter of Studs, in.	Threads/in. and Series Designated	Testing Torque, ft-lb
1/4	28 UNF	5.0
1/4	20 UNC	4.2
5/16	24 UNF	9.5
5/16	18 UNC	8.6
3/8	24 UNF	17
3/8	16 UNC	15
7/16	20 UNF	27
7/16	14 UNC	24
1/2	20 UNF	42
1/2	13 UNC	37
9/16	18 UNF	60
9/16	12 UNC	54
5/8	18 UNF	84
5/8	11 UNC	74
3/4	16 UNF	147
3/4	10 UNC	132
7/8	14 UNF	234
7/8	9 UNC	212
1	12 UNF	348
1	8 UNC	318

Required Torque for Testing Threaded Austenitic Stainless Steel Studs		
Nominal Diameter of Studs, in.	Threads/in. and Series Designated	Testing Torque, ft-lb
1/4	28 UNF	4.5
1/4	20 UNC	4.0
5/16	24 UNF	9.0
5/16	18 UNC	8.0
3/8	24 UNF	16.5
3/8	16 UNC	14.5
7/16	20 UNF	26.0
7/16	14 UNC	23.0
1/2	20 UNF	40.0
1/2	13 UNC	35.5
5/8	18 UNF	80.00
5/8	11 UNC	71.00
3/4	16 UNF	140.00
3/4	10 UNC	125.00
7/8	14 UNF	223.00
7/8	9 UNC	202.00
1	14 UNF	339.00
1	8 UNC	303.00

Alternatively, where torquing to destruction is not feasible, tensile testing may be used. For carbon and austenitic stainless steel studs, the failure strength shall not be less than 35,000 psi (241 MPa) and 30,000 psi (207 MPa), respectively. For other metals, the failure strength shall not be less than 1/2 of the minimum specified tensile strength of the stud material. The failure strength shall be based on the minor diameter of the threaded section of externally threaded studs except where the shank diameter is less than the minor diameter, or on the original cross-sectional area where failure occurs in a nonthreaded, internally threaded, or reduced-diameter stud.

QW-192.4 Acceptance Criteria — Macro-Examination. In order to pass the macro-examination, each of five sectioned stud welds and the heat affected zone shall be free of cracks when examined at a magnification of x10, which is required by QW-202.5 when studs are welded to metals other than P-No. 1.

QW-193 Stud-Weld Tests — Performance Qualification Specimens

QW-193.1 Required Tests. Five stud-weld tests are required to qualify each stud-welding operator. The equipment used for stud welding shall be completely automatic except for manual starting. The performance test shall be welded in accordance with a qualified WPS per QW-301.2.

Each stud (five joints) shall be tested either by hammering over until one-fourth of its length is flat on the test piece or by bending the stud to an angle of at least 15 deg and returning it to its original position using a test jig and an adapter location dimension that are in accordance with QW-466.4.

QW-193.2 Acceptance Criteria — Bend and Hammer Tests. In order to pass the test(s), each of the five stud welds and heat affected zones shall be free of visible separation or fracture after bending and return bending or after hammering.

QW-194 Visual Examination — Performance

Performance test coupons shall show complete joint penetration with complete fusion of weld metal and base metal.

QW-195 Liquid Penetrant Examination

QW-195.1 The liquid penetrant examination in QW-214 for corrosion-resistant weld metal overlay shall meet the requirements of Section V, Article 6. The acceptance standards of QW-195.2 shall be met.

QW-195.2 Liquid Penetrant Acceptance Criteria

QW-195.2.1 Terminology

(a) *relevant indications* — indications with major dimensions greater than $\frac{1}{16}$ in. (1.6 mm).

(b) *linear indications* — an indication having a length greater than three times the width

(c) *rounded indications* — an indication of circular or elliptical shape with the length equal to or less than three times the width

QW-195.2.2 Acceptance Standards. Procedure and performance tests examined by liquid penetrant techniques shall be judged unacceptable when the examination exhibits any indication in excess of the limits specified below:

(a) relevant linear indications;

(b) relevant rounded indications greater than $\frac{3}{16}$ in. (4.8 mm);

(c) four or more relevant rounded indications in a line separated by $\frac{1}{16}$ in. (1.6 mm) or less (edge-to-edge).

QW-196 Resistance Weld Testing

QW-196.1 Metallographic Examination

QW-196.1.1 Welds shall be cross-sectioned, polished, and etched to reveal the weld metal. The section shall be examined at a magnification of 10 times.

QW-196.1.2 The weld nugget shall be sound for 1.25 times the thickness of the thinner member.

QW-196.1.3 For spot welds, the nugget size shall be measured at the interface between the sheets being joined, and it shall equal or exceed $0.9\sqrt{t}$, where t is the thickness of the thinner sheet. For projection welds, the nugget size shall not be less than the initial size of the projection. For seam welds, the width of the fused weld cut transverse to the seam shall be not less than $0.9\sqrt{t}$, where t is the thickness of the thinnest sheet.

QW-196.2 Mechanical Testing

QW-196.2.1 Shear test specimens shall be prepared as shown on QW-462.9. For spot and projection welds, each test specimen shall equal or exceed the minimum strength, and the average strength specified in QW-462.10 and QW-462.11 for the appropriate material. Further, for each set, 90% shall have shear strength values between 0.9 and 1.1 times the set average value. The remaining 10% shall lie between 0.8 and 1.2 times the set average value.

QW-196.2.2 Peel test specimens shall be prepared as shown in QW-462.8. The specimens shall be peeled or separated mechanically, and fracture shall occur in the base metal by tearing out of the weld in order for the specimen to be acceptable.

QW-197 Laser Beam Welding (LBW) Lap Joint Tests — Procedure Qualification Specimens

QW-197.1 Required Tests. Six tension shear specimens and eight macro specimens are required to qualify each procedure. The qualification test coupon shall be prepared in accordance with QW-464.1. The tension shear specimens shall conform to the dimensions indicated in the table of QW-464.1. The longitudinal and traverse sections indicated in QW-464.1 shall be cross-sectioned as closely as possible through the centerline of the weld. A minimum of 1 in. (25 mm) shall be provided for examination of each longitudinal specimen. The traverse specimens shall be of sufficient length to include weld, the heat-affected zone, and portions of the unaffected base material. Cross-sections shall be smoothed and etched with a suitable etchant (see QW-470), and examined at a minimum magnification of 25X. The dimensions of the fusion zone and penetration of each weld of the traverse specimens shall be measured to the nearest hundredth of an inch and recorded.

QW-197.2 Acceptance Criteria — Tension Shear Tests. In order to pass the tension shear test(s), the requirements of QW-153 shall apply.

QW-197.3 Acceptance Criteria — Macro-Examination. In order to pass the macro-examination, each of the eight specimens shall meet the following criteria.

(a) The outline of the fusion zone shall be generally consistent in size and regular in shape and uniformity of penetration.

(b) The examination of the weld area shall reveal sound weld metal, complete fusion along the bond line, and complete freedom from cracks in the weld metal and heat-affected zone.

**QW-198 Laser Beam Welding (LBW) Lap
Joint Tests — Performance
Qualification Specimens**

QW-198.1 Required Tests. A peel test specimen at least 6 in. (152 mm) long shall be prepared as shown

in QW-464.2 sketch (a) and macro specimens as shown in QW-464.2 sketch (b). The peel test specimens shall be peeled apart to destruction and the fusion zone and penetration measured to the nearest hundredth of an inch. The end of each strip of the macro coupon shall be polished and etched to clearly reveal the weld metal. The width and depth of penetration of each weld shall be measured to the nearest hundredth of an inch. Each specimen shall be examined in accordance with QW-197.1.

QW-198.2 Acceptance Criteria — Peel Test and Macro-Examination. In order to pass the peel test and macro-examination, the dimensions of the fusion zone (averaged) and the penetration (averaged) shall be within the range of dimensions of those specified on the WPS that was used to make the test coupon.

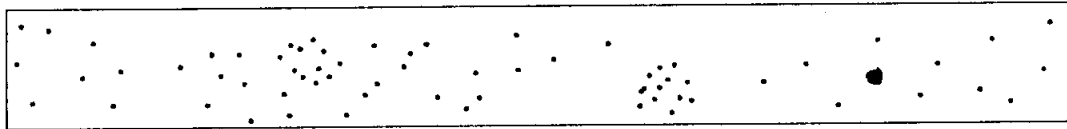
**APPENDIX I
ROUNDED INDICATION CHARTS
(See QW-191.2)**



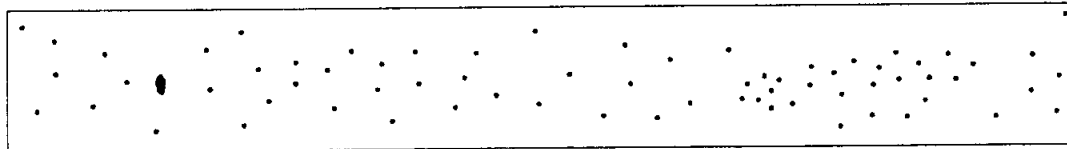
**Typical Quantity and Size Permitted
in 6 in. (152 mm) Length of Weld
1/8 in. (3.2 mm) to 1/4 in. (6 mm)
Thickness**



**Typical Quantity and Size Permitted
in 6 in. (152 mm) Length of Weld
Over 1/4 in. (6 mm) to 1/2 in. (13 mm)
Thickness**



**Typical Quantity and Size Permitted
in 6 in. (152 mm) Length of Weld
Over 1/2 in. (13 mm) to 1 in. (25 mm)
Thickness**



**Typical Quantity and Size Permitted
in 6 in. (152 mm) Length of Weld
Over 1 in. (25 mm) Thickness**

ARTICLE II

WELDING PROCEDURE QUALIFICATIONS

QW-200 GENERAL

QW-200.1 Each manufacturer and contractor shall prepare written Welding Procedure Specifications which are defined as follows.

(a) *Welding Procedure Specification (WPS)*. A WPS is a written qualified welding procedure prepared to provide direction for making production welds to Code requirements. The WPS or other documents may be used to provide direction to the welder or welding operator to assure compliance with the Code requirements.

(b) *Contents of the WPS*. The completed WPS shall describe all of the essential, nonessential, and, when required, supplementary essential variables for each welding process used in the WPS. These variables are listed in QW-250 through QW-280 and are defined in Article IV, Welding Data.

The WPS shall reference the supporting Procedure Qualification Record(s) (PQR) described in QW-200.2. The manufacturer or contractor may include any other information in the WPS that may be helpful in making a Code weldment.

(c) *Changes to the WPS*. Changes may be made in the nonessential variables of a WPS to suit production requirements without requalification provided such changes are documented with respect to the essential, nonessential, and, when required, supplementary essential variables for each process. This may be by amendment to the WPS or by use of a new WPS.

Changes in essential or supplementary essential (when required) variables require requalification of the WPS (new or additional PQRs to support the change in essential or supplementary essential variables).

(d) *Format of the WPS*. The information required to be in the WPS may be in any format, written or tabular, to fit the needs of each manufacturer or contractor, as long as every essential, nonessential, and, when required, supplementary essential variables outlined in QW-250 through QW-280 is included or referenced.

Form QW-482 (see Nonmandatory Appendix B) has been provided as a guide for the WPS. This Form

includes the required data for the SMAW, SAW, GMAW, and GTAW processes. It is only a guide and does not list all required data for other processes. It also lists some variables that do not apply to all processes (e.g., listing shielding gas which is not required for SAW). The guide does not easily lend itself to multiple process procedure specification (e.g., GTAW root with SMAW fill).

(e) *Availability of the WPS*. A WPS used for Code production welding shall be available for reference and review by the Authorized Inspector (AI) at the fabrication site.

QW-200.2 Each manufacturer or contractor shall be required to prepare a procedure qualification record which is defined as follows.

(a) *Procedure Qualification Record (PQR)*. A PQR is a record of the welding data used to weld a test coupon. The PQR is a record of variables recorded during the welding of the test coupons. It also contains the test results of the tested specimens. Recorded variables normally fall within a small range of the actual variables that will be used in production welding.

(b) *Contents of the PQR*. The completed PQR shall document all essential and, when required, supplementary essential variables of QW-250 through QW-280 for each welding process used during the welding of the test coupon. Nonessential or other variables used during the welding of the test coupon may be recorded at the manufacturer's or contractor's option. All variables, if recorded, shall be the actual variables (including ranges) used during the welding of the test coupon. If variables are not monitored during welding, they shall not be recorded. It is not intended that the full range or the extreme of a given range of variables to be used in production be used during qualification unless required due to a specific essential or, when required, supplementary essential variable.

The PQR shall be certified accurate by the manufacturer or contractor. The manufacturer or contractor may not subcontract the certification function. This certification is intended to be the manufacturer's or

contractor's verification that the information in the PQR is a true record of the variables that were used during the welding of the test coupon and that the resulting tensile, bend, or macro (as required) test results are in compliance with Section IX.

When more than one welding process or filler metal is used to weld a test coupon, the approximate deposit weld metal thickness of each welding process and filler metal shall be recorded.

(c) *Changes to the PQR.* Changes to the PQR are not permitted except as described below. It is a record of what happened during a particular welding test. Editorial corrections or addenda to the PQR are permitted. An example of an editorial correction is an incorrect P-Number, F-Number, or A-Number that was assigned to a particular base metal or filler metal. An example of an addendum would be a change resulting from a Code change. For example, Section IX may assign a new F-Number to a filler metal or adopt a new filler metal under an established F-Number. This may permit, depending on the particular construction Code requirements, a manufacturer or contractor to use other filler metals that fall within that particular F-Number where, prior to the Code revision, the manufacturer or contractor was limited to the particular electrode classification that was used during qualification. Additional information can be incorporated into a PQR at a later date provided the information is substantiated as having been part of the original qualification condition by lab record or similar data.

All changes to a PQR require recertification (including date) by the manufacturer or contractor.

(d) *Format of the PQR.* Form QW-483 (see Nonmandatory Appendix B) has been provided as a guide for the PQR. The information required to be in the PQR may be in any format to fit the needs of each manufacturer or contractor, as long as every essential and, when required, supplementary essential variable, required by QW-250 through QW-280, is included. Also the type of tests, number of tests, and test results shall be listed in the PQR.

Form QW-483 does not easily lend itself to cover combinations of welding processes or more than one F-Number filler metal in one test coupon. Additional sketches or information may be attached or referenced to record the required variables.

(e) *Availability of the PQR.* PQRs used to support WPSs shall be available, upon request, for review by the Authorized Inspector (AI). The PQR need not be available to the welder or welding operator.

(f) *Multiple WPSs With One PQR/Multiple PQRs With One WPS.* Several WPSs may be prepared from

the data on a single PQR (e.g., a 1G plate PQR may support WPSs for the F, V, H, and O positions on plate or pipe within all other essential variables). A single WPS may cover several essential variable changes as long as a supporting PQR exists for each essential and, when required, supplementary essential variable (e.g., a single WPS may cover a thickness range from $\frac{1}{16}$ in. (1.6 mm) through $1\frac{1}{4}$ in. (32 mm) if PQRs exist for both the $\frac{1}{16}$ in. (1.6 mm) through $\frac{3}{16}$ in. (4.8 mm) and $\frac{3}{16}$ in. (4.8 mm) through $1\frac{1}{4}$ in. (32 mm) thickness ranges).

QW-200.3 To reduce the number of welding procedure qualifications required, P-Numbers are assigned to base metals dependent on characteristics such as composition, weldability, and mechanical properties, where this can logically be done; and for steel and steel alloys (QW/QB-422) Group Numbers are assigned additionally to P-Numbers. These Group Numbers classify the metals within P-Numbers for the purpose of procedure qualification where notch-toughness requirements are specified. The assignments do not imply that base metals may be indiscriminately substituted for a base metal which was used in the qualification test without consideration of the compatibility from the standpoint of metallurgical properties, postweld heat treatment, design, mechanical properties, and service requirements. Where notch toughness is a consideration, it is presupposed that the base metals meet the specific requirements.

In general, notch-toughness requirements are mandatory for all P-No. 11 quenched and tempered metals, for low temperature applications of other metals as applied to Section VIII, and for various classes of construction required by Section III. Acceptance criteria for the notch-toughness tests are as established in the other Sections of the Code.

For certain materials permitted by the ASME/ANSI B31 Code for Pressure Piping or by selected Code Cases of the ASME Boiler and Pressure Vessel Code but which are not included within the ASME Boiler and Pressure Vessel Code Material Specifications (Section II), S-Number groupings are assigned in QW/QB-422. These groupings are similar to the P-Number groupings of QW/QB-422. Qualification limits are given in QW-420.2.

QW-200.4 Combination of Welding Procedures

(a) More than one procedure having different essential or nonessential variables may be used in a single production joint. Each procedure may include one or a combination of processes, filler metals, or other variables.

Where two or more procedures involving different processes or other essential variables are used in one joint, QW-451 shall be used to determine the range of base metal thickness qualified and the maximum thickness of deposited weld metal qualified for each process or procedure. Alternatively, qualification for root deposits only may be made in accordance with QW-200.4(b). The deposited weld metal of each process or procedure shall be included in the tension and bend specimens, and in the notch-toughness specimen (when required). One or more processes or procedures may be deleted from a qualified combination procedure. Each such process or procedure may be used separately provided:

(1) the remaining essential, nonessential, and supplementary essential variables are applied;

(2) the base metal and deposited weld metal thickness limits of QW-451 are applied.

(b) For GTAW, SMAW, GMAW, PAW, and SAW, or combinations of these processes, a PQR for a process recording a test coupon that was at least $\frac{1}{2}$ in. (13 mm) thick may be combined with one or more other PQRs recording another welding process and any greater base metal thickness. In this case, the process recorded on the first PQR may be used to deposit the root layers using the process(es) recorded on that PQR up to 2t (for short-circuiting type of GMAW, see QW-404.32) in thickness on base metal of the maximum thickness qualified by the other PQR(s) used to support the WPS. The requirements of Note (1) of QW-451.1 and QW-451.2 shall apply.

QW-201 Manufacturer's or Contractor's Responsibility

Each manufacturer or contractor shall list the parameters applicable to welding that he performs in construction of weldments built in accordance with this Code. These parameters shall be listed in a document known as a Welding Procedure Specification (WPS).

Each manufacturer or contractor shall qualify the WPS by the welding of test coupons and the testing of specimens (as required in this Code), and the recording of the welding data and test results in a document known as a Procedure Qualification Record (PQR). The welders or welding operators used to produce weldments to be tested for qualification of procedures shall be under the full supervision and control of the manufacturer or contractor during the production of these test weldments. The weldments to be tested for qualification of procedures shall be welded either by direct employees or by individuals engaged by contract for their services

as welders or welding operators under the full supervision and control of the manufacturer or contractor. It is not permissible for the manufacturer or contractor to have the supervision and control of welding of the test weldments performed by another organization. It is permissible, however, to subcontract any or all of the work of preparation of test metal for welding and subsequent work on preparation of test specimens from the completed weldment, performance of nondestructive examination, and mechanical tests, provided the manufacturer or contractor accepts the responsibility for any such work.

The Code recognizes a manufacturer or contractor as the organization which has responsible operational control of the production of the weldments to be made in accordance with this Code. If in an organization effective operational control of welding procedure qualification for two or more companies of different names exists, the companies involved shall describe in their Quality Control system/Quality Assurance Program, the operational control of procedure qualifications. In this case separate welding procedure qualifications are not required, provided all other requirements of Section IX are met.

A WPS may require the support of more than one PQR, while alternatively, one PQR may support a number of WPSs.

The manufacturer or contractor shall certify that he has qualified each Welding Procedure Specification, performed the procedure qualification test, and documented it with the necessary Procedure Qualification Record (PQR).

QW-201.1 The Code recognizes that manufacturers or contractors may maintain effective operational control of PQRs and WPSs under different ownership than existed during the original procedure qualification. When a manufacturer or contractor or part of a manufacturer or contractor is acquired by a new owner(s), the PQRs and WPSs may be used by the new owner(s) without requalification, provided all of the following are met:

(a) the new owner(s) takes responsibility for the WPSs and PQRs;

(b) the WPSs reflect the name of the new owner(s);

(c) the Quality Control System/Quality Assurance Program reflects the source of the PQRs as being from the former manufacturer or contractor.

QW-202 Type of Tests Required

QW-202.1 Mechanical Tests. The type and number of test specimens which shall be tested to qualify a groove weld procedure are given in QW-451, and shall

be removed in a manner similar to that shown in QW-463. If any test specimen required by QW-451 fails to meet the applicable acceptance criteria, the test coupon shall be considered as failed, and a new test coupon shall be welded. Where qualification is for fillet welds only, the requirements are given in QW-202.2(c) and (d); and where qualification is for stud welds only, the requirements are given in QW-202.5.

01 QW-202.2 Groove and Fillet Welds

(a) *Qualification for Groove Full Penetration Welds.* Groove-weld test coupons shall qualify the thickness ranges of both base metal and deposited weld metal to be used in production. Limits of qualification shall be in accordance with QW-451. WPS qualification for groove welds shall be made on groove welds using tension and guided-bend specimens. Notch-toughness tests shall be made when required by other Section(s) of the Code. The WPS shall be qualified for use with groove welds within the range of essential variables listed.

(b) *Qualification for Partial Penetration Groove Welds.* Partial penetration groove welds shall be qualified in accordance with the requirements of QW-451 for both base metal and deposited weld metal thickness, except there need be no upper limit on the base metal thickness provided qualification was made on base metal having a thickness of $1\frac{1}{2}$ in. (38 mm) or more.

(c) *Qualification for Fillet Welds.* WPS qualification for fillet welds may be made on groove-weld test coupons using test specimens specified in QW-202.2(a) or (b). Fillet-weld procedures so qualified may be used for welding all thicknesses of base metal for all sizes of fillet welds, and all diameters of pipe or tube in accordance with QW-451.4. Nonpressure-retaining fillet welds, as defined in other Sections of the Code, may as an alternate be qualified with fillet welds only. Tests shall be made in accordance with QW-180. Limits of qualification shall be in accordance with QW-451.3.

QW-202.3 Weld Repair and Buildup. WPS qualified on groove welds shall be applicable for weld repairs to groove and fillet welds and for weld buildup under the following provisions.

(a) There is no limitation on the thickness of base metal or deposited weld metal for fillet welds.

(b) For other than fillet welds, the thickness range for base metal and deposited weld metal for each welding process shall be in accordance with QW-451, except there need be no upper limit on the base metal thickness provided qualification was made on base metal having a thickness of $1\frac{1}{2}$ in. (38 mm) or more.

QW-202.4 Dissimilar Base Metal Thicknesses. WPS qualified on groove welds shall be applicable for production welds between dissimilar base metal thicknesses provided:

(a) the thickness of the thinner member shall be within the range permitted by QW-451;

(b) the thickness of the thicker member shall be as follows.

(1) For P-No. 8, P-No. 41, P-No. 42, P-No. 43, P-No. 44, P-No. 45, P-No. 46, P-No. 51, P-No. 52, P-No. 53, P-No. 61, and P-No. 62 metal, there shall be no limitation on the maximum thickness of the thicker production member in joints of similar P-Number materials provided qualification was made on base metal having a thickness of $\frac{1}{4}$ in. (6 mm) or greater.

(2) For all other metal, the thickness of the thicker member shall be within the range permitted by QW-451, except there need be no limitation on the maximum thickness of the thicker production member provided qualification was made on base metal having a thickness of $1\frac{1}{2}$ in. (38 mm) or more.

More than one procedure qualification may be required to qualify for some dissimilar thickness combinations.

QW-202.5 Stud Welding. Procedure qualification tests for stud welds shall be made in accordance with QW-192. The procedure qualification tests shall qualify the welding procedures for use within the range of the essential variables of QW-261. For studs welded to other than P-No. 1 metals, five additional welds shall be made and subjected to a macro-test, except that this is not required for studs used for extended heating surfaces.

QW-203 Limits of Qualified Positions for Procedures

Unless specifically required otherwise by the welding variables (QW-250), a qualification in any position qualifies the procedure for all positions. The welding process and electrodes must be suitable for use in the positions permitted by the WPS. A welder or welding operator making and passing the WPS qualification test is qualified for the position tested. See QW-301.2.

QW-210 PREPARATION OF TEST COUPON

QW-211 Base Metal

The base metals may consist of either plate, pipe, or other product forms. Qualification in plate also qualifies for pipe welding and vice versa. The dimen-

sions of the test coupon shall be sufficient to provide the required test specimens.

QW-212 Type and Dimensions of Groove Welds

Except as otherwise provided in QW-250, the type and dimensions of the welding groove are not essential variables.

QW-213 P-No. 11 Base Metals

For vessels or parts of vessels constructed with P-No. 11 base metals, weld grooves for thickness less than $\frac{5}{8}$ in. (16 mm) shall be prepared by thermal processes, when such processes are to be employed during fabrication. This groove preparation shall also include back gouging, back grooving, or removal of unsound weld metal by thermal processes, when these processes are to be employed during fabrication.

QW-214 Corrosion-Resistant Weld Metal Overlay

QW-214.1 The size of test coupons, limits of qualification, required examinations and tests, and test specimens shall be as specified in QW-453.

QW-214.2 Essential variables shall be as specified in QW-250 for the applicable welding process.

QW-215 Electron Beam Welding and Laser Beam Welding

QW-215.1 The WPS qualification test coupon shall be prepared with the joint geometry duplicating that to be used in production. If the production weld is to include a lap-over (completing the weld by rewelding over the starting area of the weld, as for a girth weld), such lap-over shall be included in the WPS qualification test coupon.

QW-215.2 The mechanical testing requirements of QW-451 shall apply.

QW-215.3 Essential variables shall be as specified in QW-260 and QW-264 for the applicable welding process.

QW-216 Hard-Facing Weld Metal Overlay

Hard-Facing Weld Metal Overlay refers to weld deposits made, using a variety of processes, to deter the effects of wear and/or abrasion. The following

requirements apply regardless of which hard-facing process is used.

QW-216.1 The size of test coupons, limits of qualification, required examinations and tests, and test specimens shall be as specified in QW-453.

QW-216.2 Welding variables shall be as specified in QW-250 for the applicable process.

QW-216.3 Where Spray Fuse methods of hard-facing (e.g., Oxyfuel and Plasma Arc) are to be used, the coupons for these methods shall be prepared and welding variables applied in accordance with QW-216.1 and QW-216.2, respectively.

QW-216.4 If a weld deposit is to be used under a hard-facing weld metal overlay, a base metal with an assigned P-Number and a chemical analysis nominally matching the weld deposit chemical analysis may be substituted to qualify the PQR.

QW-217 Joining of Composite (Clad Metals)

The WPS for groove welds in clad metal shall be qualified as provided in QW-217(a) when any part of the cladding thickness, as permitted by the referencing Code Section, is included in the design calculations. Either QW-217(a) or (b) may be used when the cladding thickness is not included in the design calculations.

(a) The essential and nonessential variables of QW-250 shall apply for each welding process used in production. The procedure qualification test coupon shall be made using the same P-Number base metal, cladding, and welding process, and filler metal combination to be used in production welding. For metal not included in QW/QB-422, the metal used in the composite test plate shall be within the range of chemical composition of that to be used in production. The qualified thickness range for the base metal and filler metal(s) shall be based on the actual test coupon thickness for each as applied to QW-451, except that the minimum thickness of filler metal joining the cladding portion of the weldment shall be based on a chemical analysis performed in accordance with QW-453. Tensile and bend tests required in QW-451 for groove welds shall be made, and they shall contain the full thickness of cladding through the reduced section of the specimen. The bond line between the original cladding and the base metal may be disregarded when evaluating side-bend tests if the cladding was applied by a process other than fusion welding.

(b) The essential and nonessential variables of QW-250 shall apply for each welding process used in

production for joining the base metal portion of the weldment. The PQRs that support this portion of the WPS need not be based on test coupons made with clad metal. For the corrosion-resistant overlay portion of the weld, the essential variables of QW-251.4 shall apply and the test coupon and testing shall be in accordance with QW-453. The WPS shall limit the depth of the groove, which will receive the corrosion-resistant overlay in order to ensure development of the full strength of the underlying weld in the base metal.

QW-218 Applied Linings

QW-218.1 WPSs for attaching applied linings shall be qualified in accordance with QW-202.2(a), (b), or (c).

QW-218.2 As an alternative to the above, each process to be used in attaching applied linings to base metal shall be qualified on a test coupon welded into the form and arrangement to be used in construction using materials that are within the range of chemical composition of the metal to be used for the base plate, the lining, and the weld metal. The welding variables of QW-250 shall apply except for those regarding base metal or weld metal thickness. Qualification tests shall be made for each position to be used in production welding in accordance with QW-461.9, except that qualification in the vertical position, uphill progression shall qualify for all positions. One cross section for each position tested shall be sectioned, polished, and etched to clearly show the demarcation between the base metal and the weld metal. In order to be acceptable, each specimen shall exhibit complete fusion of the weld metal with the base metal and freedom from cracks.

QW-218.3 When chemical analysis of the weld deposit for any elements is required, a chemical analysis shall be performed per QW-453, Note 9 for those elements.

QW-250 WELDING VARIABLES

QW-251 General

QW-251.1 Types of Variables for Welding Procedure Specifications (WPS). These variables (listed for each welding process in QW-252 through QW-265) are subdivided into essential variables, supplementary essential variables, and nonessential variables (QW-401). The "Brief of Variables" listed in the Tables are for reference *only*. See the complete variable in Welding Data of Article IV.

QW-251.2 Essential Variables. Essential variables are those in which a change, as described in the specific variables, is considered to affect the mechanical properties of the weldment, and shall require requalification of the WPS.

Supplementary essential variables are required for metals for which other Sections specify notch-toughness tests and are in addition to the essential variables for each welding process.

QW-251.3 Nonessential Variables. Nonessential variables are those in which a change, as described in the specific variables, may be made in the WPS without requalification.

QW-251.4 Special Processes

(a) The special process essential variables for corrosion-resistant and hard-surfacing weld metal overlays are as indicated in the following tables for the specified process. Only the variables specified for special processes shall apply. A change in the corrosion-resistant or hard-surfacing welding process shall require requalification.

(b) WPS qualified for corrosion-resistant and hard-surfacing overlay welding, in accordance with other Sections when such qualification rules were included in those Sections, may be used with the same provisions as provided in QW-100.3.

PROCEDURE QUALIFICATIONS

QW-252

QW-252
WELDING VARIABLES PROCEDURE SPECIFICATIONS (WPS)
Oxyfuel Gas Welding (OFW)

Paragraph	Brief of Variables	Essential	Supplementary Essential	Nonessential
QW-402 Joints	.1 ϕ Groove design			X
	.2 \pm Backing			X
	.3 ϕ Backing comp.			X
	.10 ϕ Root spacing			X
QW-403 Base Metals	.1 ϕ P-Number	X		
	.2 Max. T qualified	X		
	.13 ϕ P-No. 5/9/10	X		
QW-404 Filler Metals	.3 ϕ Size			X
	.4 ϕ F-Number	X		
	.5 ϕ A-Number	X		
	.12 ϕ AWS class.	X		
QW-405 Positions	.1 + Position			X
QW-406 Preheat	.1 Decrease > 100°F (56°C)			X
QW-407 PWHT	.1 ϕ PWHT	X		
QW-408 Gas	.7 ϕ Type fuel gas	X		
QW-410 Technique	.1 ϕ String/weave			X
	.2 ϕ Flame characteristics			X
	.4 ϕ \leftrightarrow Technique			X
	.5 ϕ Method cleaning			X
	.26 \pm Peening			X

Legend:

+ Addition > Increase/greater than \uparrow Uphill \leftarrow Forehand ϕ Change
 - Deletion < Decrease/less than \downarrow Downhill \rightarrow Backhand

<u>Location</u>	<u>Interpretation</u>	<u>File No.</u>	<u>Page No.</u>	<u>Location</u>	<u>Interpretation</u>	<u>File No.</u>	<u>Page No.</u>
Part QW (Cont'd)							
QW-500	IX-01-14	BC01-332	433	QW-510	IX-01-11	BC01-089	429
				QW-540	IX-01-11	BC01-089	429

PROCEDURE QUALIFICATIONS

QW-253

01

QW-253
WELDING VARIABLES PROCEDURE SPECIFICATIONS (WPS)
Shielded Metal-Arc (SMAW)

Paragraph	Brief of Variables	Essential	Supplementary Essential	Nonessential
QW-402 Joints	.1 ϕ Groove design			X
	.4 - Backing			X
	.10 ϕ Root spacing			X
	.11 \pm Retainers			X
QW-403 Base Metals	.5 ϕ Group Number		X	
	.6 T Limits impact		X	
	.7 T/t Limits > 8 in. (203 mm)	X		
	.8 ϕ T Qualified	X		
	.9 t Pass > 1/2 in. (13 mm)	X		
	.11 ϕ P-No. qualified	X		
QW-404 Filler Metals	.13 ϕ P-No. 5/9/10	X		
	.4 ϕ F-Number	X		
	.5 ϕ A-Number	X		
	.6 ϕ Diameter			X
	.7 ϕ Diam. > 1/4 in. (6 mm)		X	
	.12 ϕ AWS class.		X	
	.30 ϕ t	X		
QW-405 Positions	.33 ϕ AWS class.			X
	.1 + Position			X
	.2 ϕ Position		X	
QW-406 Preheat	.3 ϕ $\uparrow\downarrow$ Vertical welding			X
	.1 Decrease > 100°F (56°C)	X		
	.2 ϕ Preheat maint.			X
QW-407 PWHT	.3 Increase > 100°F (56°C) (IP)		X	
	.1 ϕ PWHT	X		
	.2 ϕ PWHT (T & T range)		X	
QW-409 Electrical Characteristics	.4 T Limits	X		
	.1 > Heat input		X	
	.4 ϕ Current or polarity		X	X
QW-410 Technique	.8 ϕ I & E range			X
	.1 ϕ String/weave			X
	.5 ϕ Method cleaning			X
	.6 ϕ Method back gouge			X
	.9 ϕ Multi to single pass/side		X	X
	.25 ϕ Manual or automatic			X
	.26 \pm Peening			X

Legend:

+ Addition > Increase/greater than \uparrow Uphill \leftarrow Forehand ϕ Change
 - Deletion < Decrease/less than \downarrow Downhill \rightarrow Backhand

QW-253.1
WELDING VARIABLES PROCEDURE SPECIFICATIONS (WPS)
Shielded Metal-Arc (SMAW)

Paragraph		Special Process Essential Variables		
		Hard-Facing Overlay (QW-216)		Corrosion-Resistant Overlay (QW-214)
QW-402 Joints	.16	<	Finished <i>t</i>	< Finished <i>t</i>
QW-403 Base Metals	.20	ϕ	P-Number	ϕ P-Number
	.23	ϕ	<i>T</i> Qualified	ϕ <i>T</i> Qualified
QW-404 Filler Metals	.12	ϕ	AWS class.	
	.37			ϕ A-Number
	.38	ϕ	Dia. (1st layer)	ϕ Dia. (1st layer)
QW-405 Positions	.4	+	Position	+ Position
QW-406 Preheat	.4	>	Dec. > 100°F (56°C) preheat Interpass	> Dec. > 100°F (56°C) preheat Interpass
QW-407 PWHT	.6	ϕ	PWHT	ϕ PWHT
QW-409 Electrical Characteristics	.4	ϕ	Current or polarity	ϕ Current or polarity
	.22		Inc. > 10% 1st layer	Inc. > 10% 1st layer
QW-410 Technique	.38	ϕ	Multi- to single-layer	ϕ Multi- to single-layer

Legend:
 + Addition > Increase/greater than ↑ Uphill ← Forehand ϕ Change
 - Deletion < Decrease/less than ↓ Downhill → Backhand

PROCEDURE QUALIFICATIONS

QW-254

QW-254
WELDING VARIABLES PROCEDURE SPECIFICATIONS (WPS)
Submerged-Arc Welding (SAW)

Paragraph	Brief of Variables	Essential	Supplementary Essential	Nonessential
QW-402 Joints	.1 ϕ Groove design			X
	.4 - Backing			X
	.10 ϕ Root spacing			X
	.11 \pm Retainers			X
QW-403 Base Metals	.5 ϕ Group Number		X	
	.6 T Limits		X	
	.7 T/t Limits > 8 in. (203 mm)	X		
	.8 ϕ T Qualified	X		
	.9 t Pass > 1/2 in. (13 mm)	X		
	.11 ϕ P-No. qualified	X		
.13 ϕ P-No. 5/9/10	X			
QW-404 Filler Metals	.4 ϕ F-Number	X		
	.5 ϕ A-Number	X		
	.6 ϕ Diameter			X
	.9 ϕ Flux/wire class.	X		
	.10 ϕ Alloy flux	X		
	.24 \pm Supplemental ϕ	X		
	.27 ϕ Alloy elements	X		
	.29 ϕ Flux designation			X
	.30 ϕ t	X		
	.33 ϕ AWS class.			X
	.34 ϕ Flux type	X		
.35 ϕ Flux/wire class.		X	X	
.36 Recrushed slag	X			
QW-405 Positions	.1 + Position			X
QW-406 Preheat	.1 Decrease > 100°F (56°C)	X		
	.2 ϕ Preheat maint.			X
	.3 Increase > 100°F (56°C) (IP)		X	
QW-407 PWHT	.1 ϕ PWHT	X		
	.2 ϕ PWHT (T & T range)		X	
	.4 T Limits	X		
QW-409 Electrical Characteristics	.1 > Heat input		X	
	.4 ϕ Current or polarity		X	X
	.8 ϕ I & E range			X

QW-254
 WELDING VARIABLES PROCEDURE SPECIFICATIONS (WPS)
 Submerged-Arc Welding (SAW) (CONT'D)

Paragraph	Brief of Variables	Essential	Supplementary Essential	Nonessential
QW-410 Technique	.1 ϕ String/weave			X
	.5 ϕ Method cleaning			X
	.6 ϕ Method back gouge			X
	.7 ϕ Oscillation			X
	.8 ϕ Tube-work distance			X
	.9 ϕ Multi to single pass/side		X	X
	.10 ϕ Single to multi electrodes		X	X
	.15 ϕ Electrode spacing			X
	.25 ϕ Manual or automatic			X
	.26 \pm Peening			X

Legend:
 + Addition > Increase/greater than \uparrow Uphill \leftarrow Forehand ϕ Change
 - Deletion < Decrease/less than \downarrow Downhill \rightarrow Backhand

PROCEDURE QUALIFICATIONS

QW-254.1

QW-254.1
WELDING VARIABLES PROCEDURE SPECIFICATIONS (WPS)
Submerged-Arc Welding (SAW)

Paragraph	Special Process Essential Variables			
			Hard-Facing Overlay (QW-216)	Corrosion-Resistant Overlay (QW-214)
QW-402 Joints	.16	<	Finished <i>t</i>	< Finished <i>t</i>
QW-403 Base Metals	.20	ϕ	P-Number	ϕ P-Number
	.23	ϕ	T Qualified	ϕ T Qualified
QW-404 Filler Metals	.12	ϕ	AWS class.	
	.24	± ϕ	Supplemental	± ϕ Supplemental
	.27	ϕ	Alloy elements	
	.37			ϕ A-Number
	.39	ϕ	Nom. flux comp.	ϕ Nom. flux comp.
QW-405 Positions	.4	+	Position	+ Position
QW-406 Preheat	.4	>	Dec. > 100°F (56°C) preheat Interpass	> Dec. > 100°F (56°C) preheat Interpass
QW-407 PWHT	.6	ϕ	PWHT	ϕ PWHT
QW-409 Electrical Characteristics	.4	ϕ	Current or polarity	ϕ Current or polarity
	.26	>	Heat input more than 10%	> Heat input more than 10%
QW-410 Technique	.38	ϕ	Multi- to single-layer	ϕ Multi- to single-layer
	.40			- Sup. device
	.50	ϕ	No. of elec.	ϕ No. of elec.
	.51	±	Oscillation	± Oscillation

Legend:
 + Addition > Increase/greater than ↑ Uphill ← Forehand ϕ Change
 - Deletion < Decrease/less than ↓ Downhill → Backhand

QW-255
WELDING VARIABLES PROCEDURE SPECIFICATIONS (WPS)
Gas Metal-Arc Welding (GMAW and FCAW)

Paragraph	Brief of Variables	Essential	Supplementary Essential	Nonessential
QW-402 Joints	.1 ϕ Groove design			X
	.4 - Backing			X
	.10 ϕ Root spacing			X
	.11 \pm Retainers			X
QW-403 Base Metals	.5 ϕ Group Number		X	
	.6 T Limits		X	
	.7 T/t Limits > 8 in. (203 mm)	X		
	.8 ϕ T Qualified	X		
	.9 t Pass > 1/2 in. (13 mm)	X		
	.10 T Limits (S. Cir. Arc)	X		
	.11 ϕ P-No. qualified	X		
QW-404 Filler Metals	.13 ϕ P-No. 5/9/10	X		
	.4 ϕ F-Number	X		
	.5 ϕ A-Number	X		
	.6 ϕ Diameter			X
	.12 ϕ AWS class.		X	
	.23 ϕ Filler metal product form	X		
	.24 \pm Supplemental ϕ	X		
	.27 ϕ Alloy elements	X		
QW-405 Positions	.30 ϕ t	X		
	.32 t Limit (S. Cir. Arc)	X		
	.33 ϕ AWS Class.			X
	.1 + Position			X
	.2 ϕ Position		X	
	.3 ϕ \updownarrow Vertical welding			X
QW-406 Preheat	.1 Decrease > 100°F (56°C)	X		
	.2 ϕ Preheat maint.			X
	.3 Increase > 100°F (56°C) (IP)		X	
QW-407 PWHT	.1 ϕ PWHT	X		
	.2 ϕ PWHT (T & T range)		X	
	.4 T Limits	X		

PROCEDURE QUALIFICATIONS

QW-255

QW-255
WELDING VARIABLES PROCEDURE SPECIFICATIONS (WPS)
Gas Metal-Arc Welding (GMAW and FCAW) (CONT'D)

Paragraph	Brief of Variables	Essential	Supplementary Essential	Nonessential
QW-408 Gas	.1 ± Trail or ϕ comp.			X
	.2 ϕ Single, mixture, or %	X		
	.3 ϕ Flow rate			X
	.5 ± or ϕ Backing flow			X
	.9 - Backing or ϕ comp.	X		
	.10 ϕ Shielding or trailing	X		
QW-409 Electrical Characteristics	.1 > Heat input		X	
	.2 ϕ Transfer mode	X		
	.4 ϕ Current or polarity		X	X
	.8 ϕ I & E range			X
QW-410 Technique	.1 ϕ String/weave			X
	.3 ϕ Orifice, cup, or nozzle size			X
	.5 ϕ Method cleaning			X
	.6 ϕ Method back gouge			X
	.7 ϕ Oscillation			X
	.8 ϕ Tube-work distance			X
	.9 ϕ Multi to single pass/side		X	X
	.10 ϕ Single to multi electrodes		X	X
	.15 ϕ Electrode spacing			X
	.25 ϕ Manual or automatic			X
	.26 ± Peening			X

Legend:

+ Addition > Increase/greater than ↑ Uphill ← Forehand ϕ Change
 - Deletion < Decrease/less than ↓ Downhill → Backhand

QW-255.1
WELDING VARIABLES PROCEDURE SPECIFICATIONS (WPS)
Gas Metal-Arc Welding (GMAW and FCAW)

Paragraph		Special Process Essential Variables			
		Hard-Facing Overlay (QW-216)		Corrosion-Resistant Overlay (QW-214)	
QW-402 Joints	.16	<	Finished <i>t</i>	<	Finished <i>t</i>
QW-403 Base Metals	.20	ϕ	P-Number	ϕ	P-Number
	.23	ϕ	<i>T</i> Qualified	ϕ	<i>T</i> Qualified
QW-404 Filler Metals	.12	ϕ	AWS class.		
	.23	ϕ	Filler metal product form	ϕ	Filler metal product form
	.24	± ϕ	Supplemental	± ϕ	Supplemental
	.27	ϕ	Alloy elements		
	.37			ϕ	A-Number
QW-405 Positions	.4	+	Position	+	Position
QW-406 Preheat	.4	>	Dec. > 100°F (56°C) preheat Interpass	>	Dec. > 100°F (56°C) preheat Interpass
QW-407 PWHT	.6	ϕ	PWHT	ϕ	PWHT
QW-408 Gas	.15	ϕ	Type or flow rate	ϕ	Type or flow rate
QW-409 Electrical Characteristics	.4	ϕ	Current or polarity	ϕ	Current or polarity
	.26	>	Heat input more than 10%	>	Heat input more than 10%
QW-410 Technique	.38	ϕ	Multi- to single-layer	ϕ	Multi- to single-layer
	.50	ϕ	No. of elec.	ϕ	No. of elec.
	.51	±	Oscillation	±	Oscillation

Legend:
 + Addition > Increase/greater than ↑ Uphill ← Forehand ϕ Change
 - Deletion < Decrease/less than ↓ Downhill → Backhand

PROCEDURE QUALIFICATIONS

QW-256

01

QW-256
WELDING VARIABLES PROCEDURE SPECIFICATIONS (WPS)
Gas Tungsten-Arc Welding (GTAW)

Paragraph	Brief of Variables	Essential	Supplementary Essential	Nonessential
QW-402 Joints	.1 ϕ Groove design			X
	.5 + Backing			X
	.10 ϕ Root spacing			X
	.11 \pm Retainers			X
QW-403 Base Metals	.5 ϕ Group Number		X	
	.6 T Limits		X	
	.7 T/t Limits > 8 in. (203 mm)	X		
	.8 ϕ T Qualified	X		
	.11 ϕ P-No. qualified	X		
	.13 ϕ P-No. 5/9/10	X		
QW-404 Filler Metals	.3 ϕ Size			X
	.4 ϕ F-Number	X		
	.5 ϕ A-Number	X		
	.12 ϕ AWS class.		X	
	.14 \pm Filler	X		
	.22 \pm Consum. insert			X
	.23 ϕ Filler metal product form	X		
	.30 ϕ t	X		
	.33 ϕ AWS class.			X
	.50 \pm Flux			X
QW-405 Positions	.1 + Position			X
	.2 ϕ Position		X	
	.3 ϕ $\uparrow\downarrow$ Vertical welding			X
QW-406 Preheat	.1 Decrease > 100°F (56°C)	X		
	.3 Increase > 100°F (56°C) (IP)		X	
QW-407 PWHT	.1 ϕ PWHT	X		
	.2 ϕ PWHT (T & T range)		X	
	.4 T Limits	X		
QW-408 Gas	.1 \pm Trail or ϕ comp.			X
	.2 ϕ Single, mixture, or %	X		
	.3 ϕ Flow rate			X
	.5 \pm or ϕ Backing flow			X
	.9 - Backing or ϕ comp.	X		
	.10 ϕ Shielding or trailing	X		

QW-256
WELDING VARIABLES PROCEDURE SPECIFICATIONS (WPS)
Gas Tungsten-Arc Welding (GTAW) (CONT'D)

Paragraph	Brief of Variables	Essential	Supplementary Essential	Nonessential
QW-409 Electrical Characteristics	.1 > Heat input		X	
	.3 ± Pulsing I			X
	.4 ϕ Current or polarity		X	X
	.8 ϕ I & E range			X
	.12 ϕ Tungsten electrode			X
QW-410 Technique	.1 ϕ String/weave			X
	.3 ϕ Orifice, cup, or nozzle size			X
	.5 ϕ Method cleaning			X
	.6 ϕ Method back gouge			X
	.7 ϕ Oscillation			X
	.9 ϕ Multi to single pass/side		X	X
	.10 ϕ Single to multi electrodes		X	X
	.11 ϕ Closed to out chamber	X		
	.15 ϕ Electrode spacing			X
	.25 ϕ Manual or automatic			X
.26 ± Peening			X	

Legend:

+ Addition	> Increase/greater than	↑ Uphill	← Forehand	ϕ Change
- Deletion	< Decrease/less than	↓ Downhill	→ Backhand	

PROCEDURE QUALIFICATIONS

QW-256.1

QW-256.1
WELDING VARIABLES PROCEDURE SPECIFICATIONS (WPS)
Gas Tungsten-Arc Welding (GTAW)

Paragraph		Special Process Essential Variables	
		Hard-Facing Overlay (QW-216)	Corrosion-Resistant Overlay (QW-214)
QW-402 Joints	.16	< Finished <i>t</i>	< Finished <i>t</i>
QW-403 Base Metals	.20	ϕ P-Number	ϕ P-Number
	.23	ϕ T Qualified	ϕ T Qualified
QW-404 Filler Metals	.12	ϕ AWS Class.	
	.14	± Filler	± Filler
	.23	ϕ Filler metal product form	ϕ Filler metal product form
	.37		ϕ A-Number
QW-405 Positions	.4	+ Position	+ Position
QW-406 Preheat	.4	Dec. > 100°F (56°C) preheat > Interpass	Dec. > 100°F (56°C) preheat > Interpass
QW-407 PWHT	.6	ϕ PWHT	ϕ PWHT
QW-408 Gas	.15	ϕ Type or flow rate	ϕ Type or flow rate
QW-409 Electrical Characteristics	.4	ϕ Current or polarity	ϕ Current or polarity
	.26	> Heat input more than 10%	> Heat input more than 10%
QW-410 Technique	.38	ϕ Multi- to single-layer	ϕ Multi- to single-layer
	.50	ϕ No. of elec.	ϕ No. of elec.
	.51	± Oscillation	± Oscillation

Legend:
 + Addition > Increase/greater than ↑ Uphill ← Forehand ϕ Change
 - Deletion < Decrease/less than ↓ Downhill → Backhand

QW-257
WELDING VARIABLES PROCEDURE SPECIFICATIONS (WPS)
Plasma-Arc Welding (PAW)

Paragraph	Brief of Variables	Essential	Supplementary Essential	Nonessential
QW-402 Joints	.1 ϕ Groove design			X
	.5 + Backing			X
	.10 ϕ Root spacing			X
	.11 \pm Retainers			X
QW-403 Base Metals	.5 ϕ Group Number		X	
	.6 T Limits		X	
	.8 ϕ T Qualified	X		
	.12 ϕ P-Number/melt-in	X		
	.13 ϕ P-No. 5/9/10	X		
QW-404 Filler Metals	.3 ϕ Size			X
	.4 ϕ F-Number	X		
	.5 ϕ A-Number	X		
	.12 ϕ AWS class.		X	
	.14 \pm Filler	X		
	.22 \pm Consum. insert			X
	.23 ϕ Filler metal product form	X		
	.27 ϕ Alloy elements	X		
	.30 ϕ t	X		
.33 ϕ AWS class.			X	
QW-405 Positions	.1 + Position			X
	.2 ϕ Position		X	
	.3 ϕ $\uparrow \downarrow$ Vertical welding			X
QW-406 Preheat	.1 Decrease > 100°F (56°C)	X		
	.3 Increase > 100°F (56°C) (IP)		X	
QW-407 PWHT	.1 ϕ PWHT	X		
	.2 ϕ PWHT (T & T range)		X	
	.4 T Limits	X		
QW-408 Gas	.1 \pm Trail or ϕ comp.			X
	.4 ϕ Comp./flow rate	X		
	.5 \pm Or ϕ backing flow			X
	.9 - Backing or ϕ comp.	X		
	.10 ϕ Shielding or trailing	X		

PROCEDURE QUALIFICATIONS

QW-257

QW-257
WELDING VARIABLES PROCEDURE SPECIFICATIONS (WPS)
Plasma-Arc Welding (PAW) (CONT'D)

Paragraph	Brief of Variables	Essential	Supplementary Essential	Nonessential
QW-409 Electrical Characteristics	.1 > Heat input		X	
	.4 ϕ Current or polarity		X	X
	.8 ϕ I & E range			X
	.12 ϕ Tungsten electrode			X
QW-410 Technique	.1 ϕ String/weave			X
	.3 ϕ Orifice, cup, or nozzle size			X
	.5 ϕ Method cleaning			X
	.6 ϕ Method back gouge			X
	.7 ϕ Oscillation			X
	.9 ϕ Multi to single pass/side		X	X
	.10 ϕ Single to multi electrodes		X	X
	.11 ϕ Closed to out chamber	X		
	.12 ϕ Melt-in to keyhole		X	
	.15 ϕ Electrode spacing			X
.26 \pm Peening			X	

Legend:

+ Addition > Increase/greater than \uparrow Uphill \leftarrow Forehand ϕ Change
 - Deletion < Decrease/less than \downarrow Downhill \rightarrow Backhand

QW-257.1
WELDING VARIABLES PROCEDURE SPECIFICATIONS (WPS)
Plasma-Arc Welding (PAW)

Paragraph	Special Process Essential Variables		
	Hard-Facing Overlay (QW-216)	Corrosion-Resistant Overlay (QW-214)	Hard-Facing Spray Fuse (QW-216)
QW-402 Joints	.16 < Finished <i>t</i>	< Finished <i>t</i>	
	.17		< Finished <i>t</i>
QW-403 Base Metals	.20 ϕ P-Number	ϕ P-Number	ϕ P-Number
	.23 ϕ T Qualified	ϕ T Qualified	
QW-404 Filler Metals	.12 ϕ AWS class.		ϕ AWS class.
	.14 \pm Filler	\pm Filler	
	.37	ϕ A-Number	
	.41 ϕ > 10% powder feed rate	ϕ > 10% powder feed rate	
	.42		ϕ < 5% Particle size range
	.43 ϕ Particle size	ϕ Particle size	
	.44 ϕ Powder type	ϕ Powder type	
	.45 ϕ Filler met. form	ϕ Filler met. form	
.46		ϕ Powder feed rate	
QW-405 Positions	.4 + Position	+ Position	+ Position
QW-406 Preheat	.4 Dec. > 100°F (56°C) preheat > Interpass	Dec. > 100°F (56°C) preheat > Interpass	Dec. > 100°F (56°C) preheat > Interpass
	.5		ϕ Preheat maintenance
QW-407 RWHT	.6 ϕ PWHT	ϕ PWHT	ϕ PWHT
	.7		ϕ PWHT after fusing
QW-408 Gas	.16 ϕ > 5% Arc or metal feed gas	ϕ > 5% Arc or metal feed gas	ϕ > 5% Arc or metal feed gas
	.17 ϕ Type or mixture	ϕ Type or mixture	
	.18 ϕ > 10% Mix. comp.	ϕ > 10% Mix. comp.	
	.19		ϕ Plasma/feed gas comp.
	.20		ϕ Plasma gas flow-rate range
QW-409 Electrical Characteristics	.4 ϕ Current or polarity	ϕ Current or polarity	
	.12		ϕ Type or size electrode
	.23		ϕ > 10% I & E
	.24 ϕ > 10% Filler wire watt.	ϕ > 10% Filler wire watt.	
	.25 ϕ > 10% I & E	ϕ > 10% I & E	

PROCEDURE QUALIFICATIONS

QW-257.1

QW-257.1
 WELDING VARIABLES PROCEDURE SPECIFICATIONS (WPS)
 Plasma-Arc Welding (PAW) (CONT'D)

Paragraph	Special Process Essential Variables			
	Hard-Facing Overlay (QW-216)	Corrosion-Resistant Overlay (QW-214)	Hard-Facing Spray Fuse (QW-216)	
QW-410 Technique	.38	ϕ Multi- to single-layer	ϕ Multi- to single-layer	ϕ Multi- to single-layer
	.41	ϕ > 15% Travel speed	ϕ > 15% Travel speed	
	.42	± Oscillation	± Oscillation	
	.43			ϕ > 10% Travel speed range
	.44			ϕ > 15% Torch to workplace
	.45			ϕ Surface prep.
	.46			ϕ Spray torch
	.47			ϕ > 10% Fusing temp. or method
	.48	ϕ Transfer mode	ϕ Transfer mode	ϕ Transfer mode
	.49	ϕ Torch orifice dia.	ϕ Torch orifice dia.	
	.52	ϕ Filler metal del.	ϕ Filler metal del.	

Legend:

+ Addition > Increase/greater than ↑ Uphill ← Forehand ϕ Change
 - Deletion < Decrease/less than ↓ Downhill → Backhand

QW-258
WELDING VARIABLES PROCEDURE SPECIFICATIONS (WPS)
Electroslag Welding (ESW)

Paragraph	Brief of Variables	Essential	Supplementary Essential	Nonessential
QW-402 Joints	.1 ϕ Groove design			X
	.10 ϕ Root spacing			X
	.11 \pm Retainers	X		
QW-403 Base Metals	.1 ϕ P-Number	X		
	.4 ϕ Group Number		X	
	.9 t Pass > 1/2 in. (13 mm)	X		
	.13 ϕ P-No. 5/9/10	X		
QW-404 Filler Metals	.4 ϕ F-Number	X		
	.5 ϕ A-Number	X		
	.6 ϕ Diameter			X
	.12 ϕ AWS class.		X	
	.17 ϕ Flux type or comp.	X		
	.18 ϕ Wire to plate	X		
	.19 ϕ Consum. guide	X		
.33 ϕ AWS class.			X	
QW-407 PWHT	.1 ϕ PWHT	X		
	.2 ϕ PWHT (T & T range)		X	
	.4 T Limits	X		
QW-409 Electrical Characteristics	.5 ϕ $\pm 15\%$ I & E range	X		
QW-410 Technique	.5 ϕ Method cleaning			X
	.7 ϕ Oscillation	X		
	.10 ϕ Single to multi electrodes	X		
	.15 ϕ Electrode spacing			X
	.26 \pm Peening			X

Legend:
 + Addition > Increase/greater than \uparrow Uphill \leftarrow Forehand ϕ Change
 - Deletion < Decrease/less than \downarrow Downhill \rightarrow Backhand

PROCEDURE QUALIFICATIONS

QW-258.1

QW-258.1
WELDING VARIABLES PROCEDURE SPECIFICATIONS (WPS)
Electroslag Welding (ESW)

Paragraph		Special Process Essential Variables	
		Hard-Facing Overlay (QW-216)	Corrosion-Resistant Overlay (QW-214)
QW-402 Joints	.16		< Finished <i>t</i>
QW-403 Base Metals	.20		ϕ P-Number
	.23		ϕ T Qualified
QW-404 Filler Metals	.24		\pm Supplemental ϕ
	.37		ϕ A-Number
	.39		ϕ Nom. flux comp.
QW-406 Preheat	.4		Dec. > 100°F preheat > Interpass
QW-407 PWHT	.6		ϕ PWHT
QW-409 Electrical Characteristics	.4		ϕ Current or polarity
	.26		> Heat input more than 10%
QW-410 Technique	.38		ϕ Multi- to single-layer
	.40		- Sup. device
	.50		ϕ No. of elec.
	.51		\pm Oscillation

Legend:
 + Addition > Increase/greater than \uparrow Uphill \leftarrow Forehand ϕ Change
 - Deletion < Decrease/less than \downarrow Downhill \rightarrow Backhand

QW-259
WELDING VARIABLES PROCEDURE SPECIFICATIONS (WPS)
Electrogas Welding (EGW)

Paragraph	Brief of Variables	Essential	Supplementary Essential	Nonessential
QW-402 Joints	.1 ϕ Groove design			X
	.10 ϕ Root spacing			X
	.11 \pm Retainers	X		
QW-403 Base Metal	.1 ϕ P-Number	X		
	.5 ϕ Group Number		X	
	.6 T Limits		X	
	.8 ϕ T Qualified	X		
	.9 t Pass > 1/2 in. (13 mm)	X		
	.13 ϕ P-No. 5/9/10	X		
QW-404 Filler Metals	.4 ϕ F-Number	X		
	.5 ϕ A-Number	X		
	.6 ϕ Diameter			X
	.12 ϕ AWS class.		X	
	.23 ϕ Filler metal product form	X		
	.33 ϕ AWS class.			X
QW-406 Preheat	.1 Decrease > 100°F (56°C)			X
QW-407 PWHT	.1 ϕ PWHT	X		
	.2 ϕ PWHT (T & T range)		X	
	.4 T Limits	X		
QW-408 Gas	.2 ϕ Single, mixture, or %	X		
	.3 ϕ Flow rate			X
QW-409 Electrical Characteristics	.1 > Heat input		X	
	.4 ϕ Current or polarity		X	X
	.8 ϕ I & E range			X
QW-410 Technique	.5 ϕ Method cleaning			X
	.7 ϕ Oscillation			X
	.8 ϕ Tube-work distance			X
	.9 ϕ Multi to single pass/side		X	X
	.10 ϕ Single to multi electrodes	X		
	.15 ϕ Electrode spacing			X
	.26 \pm Peening			X

Legend:

+ Addition > Increase/greater than \uparrow Uphill \leftarrow Forehand ϕ Change
 - Deletion < Decrease/less than \downarrow Downhill \rightarrow Backhand

GENERAL NOTE: Automated vertical gas metal-arc welding for vertical position only.

PROCEDURE QUALIFICATIONS

QW-260

QW-260
WELDING VARIABLES PROCEDURE SPECIFICATIONS (WPS)
Electron Beam Welding (EBW)

Paragraph	Brief of Variables	Essential	Supplementary Essential	Nonessential
QW-402 Joints	.1 ϕ Groove design	X		
	.2 \pm Backing	X		
	.6 > Fit-up gap	X		
QW-403 Base Metals	.1 ϕ P-Number	X		
	.3 ϕ Penetration	X		
	.13 ϕ P-No. 5/9/10	X		
	.15 ϕ P-Number	X		
QW-404 Filler Metals	.1 ϕ Cross section or speed	X		
	.2 < t or ϕ comp.	X		
	.8 \pm or ϕ Chem. comp.	X		
	.14 \pm Filler	X		
	.20 ϕ Method of addition	X		
	.21 ϕ Analysis	X		
	.33 ϕ AWS class.			X
QW-406 Preheat	.1 Decrease > 100°F (56°C)	X		
QW-407 PWHT	.1 ϕ PWHT	X		
QW-408 Gas	.6 ϕ Environment	X		
QW-409 Electrical Characteristics	.6 ϕ I, E, speed, distance, osc.	X		
	.7 ϕ Pulsing frequency	X		
QW-410 Technique	.5 ϕ Method cleaning			X
	.7 ϕ Oscillation	X		
	.14 ϕ Angle of beam axis	X		
	.17 ϕ Type equip.	X		
	.18 > Pressure of vacuum	X		
	.19 ϕ Filament type, size, etc.	X		
	.20 + Wash pass	X		
	.21 1 vs. 2 side welding	X		

Legend:

+ Addition > Increase/greater than \uparrow Uphill \leftarrow Forehand ϕ Change
 - Deletion < Decrease/less than \downarrow Downhill \rightarrow Backhand

QW-261
WELDING VARIABLES PROCEDURE SPECIFICATIONS (WPS)
Stud Welding

Paragraph		Brief of Variables	Essential	Supplementary Essential	Nonessential
QW-402 Joints	.8	ϕ Stud shape size	X		
	.9	ϕ Flux or ferrule	X		
QW-403 Base Metal	.17	ϕ Base metal or stud metal P-No.	X		
QW-405 Positions	.1	+ Position	X		
QW-406 Preheat	.1	Decrease > 100°F (56°C)	X		
QW-407 PWHT	.1	ϕ PWHT	X		
QW-408 Gas	.2	ϕ Single, mixture, or %	X		
QW-409 Electrical Characteristics	.4	ϕ Current or polarity		X	X
	.8	ϕ I & E range			X
	.9	ϕ Arc timing	X		
	.10	ϕ Amperage	X		
	.11	ϕ Power source	X		
QW-410 Technique	.22	ϕ Gun model or lift	X		

Legend:
 + Addition > Increase/greater than ↑ Uphill ← Forehand ϕ Change
 - Deletion < Decrease/less than ↓ Downhill → Backhand

PROCEDURE QUALIFICATIONS

QW-262

QW-262
WELDING VARIABLES PROCEDURE SPECIFICATIONS (WPS)
Inertia and Continuous Drive Friction Welding

Paragraph	Brief of Variables	Essential	Supplementary Essential	Nonessential
QW-402 Joint	.12 $\phi \pm 10$ deg.	X		
	ϕ Cross section > 10%	X		
	ϕ O. D. > $\pm 10\%$	X		
	ϕ Solid-to-tube	X		
QW-403 Base Metal	.19 ϕ Base metal	X		
QW-406 Preheat	.1 ϕ Decrease > 100°F (56°C)	X		
QW-407 PWHT	.1 ϕ PWHT	X		
QW-408 Gas	.6 ϕ Environment	X		
QW-410 Technique	.27 ϕ Spp. > $\pm 10\%$	X		
	.28 ϕ Load > $\pm 10\%$	X		
	.29 ϕ Energy > $\pm 10\%$	X		
	.30 ϕ Upset > $\pm 10\%$	X		

Legend:

+ Addition > Increase/greater than \uparrow Uphill \leftarrow Forehand ϕ Change
 - Deletion < Decrease/less than \downarrow Downhill \rightarrow Backhand

QW-263
WELDING VARIABLES PROCEDURE SPECIFICATIONS (WPS)
RESISTANCE WELDING

Paragraph		Brief of Variables	Essential	Nonessential
QW-402 Joints	.13	ϕ Spot, projection, seam	X	
	.14	ϕ Overlap, spacing	X	
	.15	ϕ Projection shape, size	X	
QW-403 Base Metals	.1	ϕ P-No.	X	
	.21	± Coating, plating	X	
	.22	± T	X	
QW-406 Preheat	.6	ϕ Amplitude, cycles	X	
QW-407 PWHT	.5	ϕ PWHT	X	
QW-409 Electrical	.13	ϕ RWMA class	X	
	.14	± ϕ Slope	X	
	.15	ϕ Pressure, current, time	X	
	.16	Timing	X	
	.17	ϕ Power supply		X
	.18	Tip cleaning		X
QW-410 Technique	.31	ϕ Cleaning method	X	
	.32	ϕ Pressure, time	X	
	.33	ϕ Equipment	X	
	.34	ϕ Cooling medium		X
	.35	ϕ Throat		X

Legend:
 + Addition > Increase/greater than ↑ Uphill ← Forehand ϕ Change
 - Deletion < Decrease/less than ↓ Downhill → Backhand

PROCEDURE QUALIFICATIONS

QW-264

QW-264
WELDING VARIABLES PROCEDURE SPECIFICATIONS (WPS)
Laser Beam Welding (LBW)

Paragraph	Brief of Variables	Essential	Supplementary Essential	Nonessential
QW-402 Joints	.1 ϕ Groove design	X		
	.2 \pm Backing	X		
	.6 > Fit-up gap	X		
	.18 ϕ Lap joint config.	X		
QW-403 Base Metals	.1 ϕ P-Number	X		
	.3 ϕ Penetration	X		
	.13 ϕ P-No. 5/9/10	X		
	.15 ϕ P-Number	X		
QW-404 Filler Metals	.1 ϕ Cross section or speed	X		
	.2 < t or ϕ comp.	X		
	.8 \pm or ϕ Chem. comp.	X		
	.14 \pm Filler	X		
	.20 ϕ Method of addition	X		
	.21 ϕ Analysis	X		
	.33 ϕ AWS class.			X
QW-406 Preheat	.1 Decrease > 100°F (56°C)	X		
QW-407 PWHT	.1 ϕ PWHT	X		
QW-408 Gas	.2 ϕ Single, mixture, or %	X		
	.6 ϕ Environment	X		
	.11 \pm Gases	X		
	.12 ϕ > 5% Gases	X		
	.13 ϕ Plasma jet position	X		
QW-409 Electrical Characteristics	.19 ϕ Pulse	X		
	.20 ϕ Mode, energy	X		
	.21 ϕ Power, speed, d/f, distance	X		
QW-410 Technique	.5 ϕ Method cleaning			X
	.7 ϕ Oscillation	X		
	.14 ϕ Angle of beam axis	X		
	.17 ϕ Type equip.	X		
	.20 + Wash pass	X		
	.21 1 vs. 2 side welding	X		
	.37 ϕ Single to mult. pass	X		

Legend:

+ Addition > Increase/greater than \uparrow Uphill \leftarrow Forehand ϕ Change
 - Deletion < Decrease/less than \downarrow Downhill \rightarrow Backhand

QW-264.1
WELDING VARIABLES PROCEDURE SPECIFICATIONS (WPS)
Laser Beam Welding (LBW)

Paragraph		Special Process Essential Variables	
		Hard-Facing Overlay (QW-216)	Corrosion-Resistant Overlay (QW-214)
QW-402 Joints	.16	< finished <i>t</i>	< finished <i>t</i>
QW-403 Base Metals	.13	ϕ P-Number 5/9/10	ϕ P-Number 5/9/10
	.20	ϕ P-Number	ϕ P-Number
QW-404 Filler Metals	.12	ϕ AWS class.	ϕ AWS class.
	.27	ϕ Alloy elements	ϕ Alloy elements
	.44	ϕ Particle type	ϕ Particle type
	.47	ϕ Filler/powder metal size	ϕ Filler/powder metal size
	.48	ϕ Powder metal density	ϕ Powder metal density
	.49	ϕ Filler/powder metal feed rate	ϕ Filler/powder metal feed rate
QW-405 Positions	.1	+ Position	+ Position
QW-406 Preheat	.4	Dec. > 100°F (56°C) preheat > Interpass	Dec. > 100°F (56°C) preheat > Interpass
QW-407 PWHT	.6	ϕ PWHT	ϕ PWHT
QW-408 Gas	.2	ϕ Single, mixture, or %	ϕ Single, mixture, or %
	.6	ϕ Environment	ϕ Environment
	.11	± Gases	± Gases
	.12	ϕ % flow rate	ϕ % flow rate
	.13	ϕ Plasma jet position	ϕ Plasma jet position
QW-409 Electrical Characteristics	.19	ϕ Pulse	ϕ Pulse
	.20	ϕ Mode, energy	ϕ Mode, energy
	.21	ϕ Power, speed, d/fi, distance	ϕ Power speed, d/fi, distance
QW-410 Technique	.7	ϕ Oscillation	ϕ Oscillation
	.14	ϕ Angle of beam axis	ϕ Angle of beam axis
	.17	ϕ Type equip.	ϕ Type equip.
	.38	ϕ Multi- to single-layer	ϕ Multi- to single-layer
	.45	ϕ Method of surface prep.	ϕ Method of surface prep.
	.52	ϕ Filler metal delivery	ϕ Filler metal delivery
	.53	ϕ Overlap, spacing	ϕ Overlap, spacing

Legend:
 + Addition > Increase/greater than ϕ Change
 - Deletion < Decrease/less than

QW-283 Welds With Buttering

QW-283.1 Scope. This paragraph only applies when the essential variables for the buttering process are different than the essential variables for the process used for subsequent completion of the joint. Common examples are:

(a) the buttered member is heat treated and the completed weld is not heat treated after welding; and

(b) the filler metal used for buttering has a different F-number from that used for the subsequent completion of the weld.

QW-283.2 Tests Required. The procedure shall be qualified by buttering the test coupon (including heat treating of the buttered member when this will be done in production welding) and then making the subsequent weld joining the members. The variables for the buttering and for the subsequent weld shall be in accordance with QW-250, except that QW-409.1 shall be an essential variable for the welding process(es) used to complete the weld when the minimum buttering thickness is less than $\frac{3}{16}$ in. (4.8 mm). Mechanical testing of the completed weldment shall be in accordance with QW-202.2(a).

If the buttering is done with filler metal of the same composition as the filler metal used to complete the weld, one weld test coupon may be used to qualify the dissimilar metal joint by welding the first member directly to the second member in accordance with Section IX.

QW-283.3 Buttering Thickness. The thickness of buttering which shall remain on the production buttered member after all machining and grinding is completed and before subsequent completion of the joint shall be required by the WPS. When this thickness is less than $\frac{3}{16}$ in. (4.8 mm), the thickness of buttering on the test coupon shall be measured before the buttered member is welded to the second member. This thickness shall become the minimum qualified thickness of buttering.

01 **QW-283.4 Qualification Alternative.** When an essential variable is changed in the portion of the weld to be made after buttering or when a different organization is performing the portion of the weld to be made after buttering, a new qualification shall be performed in accordance with one of the following methods:

(a) Qualify in accordance with QW-283.2 and QW-283.3. When the original qualification buttering thickness is less than $\frac{3}{16}$ in. (4.8 mm), the buttering thickness shall not be greater, nor the heat input higher than was used on the original qualification.

(b) When the original qualification buttering thickness is $\frac{3}{16}$ in. (4.8 mm) or greater, qualify the portion of the weld to be made after buttering using any P-Number material that nominally matches the chemical analysis of the buttering weld metal for the buttered base metal of the test coupon.

QW-284 Resistance Welding Machine Qualification

Each resistance welding machine shall be tested to determine its ability to make welds consistently and reproducibly. A machine shall be requalified whenever it is rebuilt, moved to a new location requiring a change in power supply, when the power supply is changed, or any other significant change is made to the equipment. Spot and projection welding machine qualification testing shall consist of making a set of 100 consecutive welds. Every fifth of these welds shall be subjected to mechanical shear tests. Five welds, which shall include one of the first five and one of the last five of the set shall be metallographically examined. Seam welding machine qualification testing shall be the same as procedure qualification testing required per QW-286. Maintenance or adjustment of the welding machine shall not be permitted during welding of a set of test welds. Qualification testing on any P-No. 21 through P-No. 25 aluminum alloy shall qualify the machine for all materials. Qualification on P-No. 1 through P-No. 11 iron-base alloys and any P-No. 41 through P-No. 47 nickel-base alloys shall qualify the machine for all P-No. 1 through P-No. 11 and P-No. 41 through P-No. 47 metals. Testing and acceptance criteria shall be in accordance with QW-196.

QW-285 Resistance Spot and Projection Weld Procedure Qualification

Procedure qualification testing for spot or projection welds shall be done following a Welding Procedure Specification, and it shall consist of making a set of 10 consecutive welds. Five of these welds shall be subjected to mechanical shear tests and five to metallographic examination. Examination, testing, and acceptance criteria shall be in accordance with QW-196.

QW-286 Resistance Seam Weld Procedure Qualification

Plates shall be prepared by welding or brazing a pipe nipple to one of the plates at a hole in one of the plates, and then the plates shall be welded around the edges, sealing the space between the plates as

shown in QW-462.7. The space between the plates shall be pressurized until failure occurs. The procedure qualification is acceptable if failure occurs in the base metal. An additional seam weld at least 6 in. (152 mm) long shall be made between plates of the same thickness as to be used in production welding, and this plate shall be cut into six approximately equal width strips and one cross section of each strip shall be metallographically examined and meet the requirements of QW-196.

ARTICLE III

WELDING PERFORMANCE QUALIFICATIONS

QW-300 GENERAL

QW-300.1 This Article lists the welding processes separately, with the essential variables that apply to welder and welding operator performance qualifications.

The welder qualification is limited by the essential variables given for each welding process. These variables are listed in QW-350, and are defined in Article IV Welding Data. The welding operator qualification is limited by the essential variables given in QW-360 for each type of weld.

A welder or welding operator may be qualified by radiography of a test coupon, radiography of his initial production welding, or by bend tests taken from a test coupon except as stated in QW-304 and QW-305.

QW-300.2 The basic premises of responsibility in regard to welding are contained within QW-103 and QW-301.2. These paragraphs require that each manufacturer or contractor (an assembler or an installer is to be included within this premise) shall be responsible for conducting tests to qualify the performance of welders and welding operators in accordance with qualified Welding Procedure Specifications, which his organization employs in the construction of weldments built in accordance with the Code. The purpose of this requirement is to ensure that the manufacturer or contractor has determined that his welders and welding operators using his procedures are capable of developing the minimum requirements specified for an acceptable weldment. This responsibility cannot be delegated to another organization.

The welders or welding operators used to produce such weldments shall be tested under the full supervision and control of the manufacturer, contractor, assembler, or installer during the production of these test weldments. It is not permissible for the manufacturer, contractor, assembler, or installer to have the welding performed by another organization. It is permissible, however, to subcontract any or all of the work of preparation of test materials for welding and subsequent work on the preparation of test specimens from the completed weldments, performance of nondestructive

examination and mechanical tests, provided the manufacturer, contractor, assembler, or installer accepts full responsibility for any such work.

The Code recognizes a manufacturer, contractor, assembler, or installer as the organization which has responsible operational control of the production of the weldments to be made in accordance with this Code. If in an organization effective operational control of the welder performance qualification for two or more companies of different names exists, the companies involved shall describe in the Quality Control system, the operational control of performance qualifications. In this case requalification of welders and welding operators within the companies of such an organization will not be required, provided all other requirements of Section IX are met.

QW-300.3 More than one manufacturer, contractor, assembler, or installer may simultaneously qualify one or more welders or welding operators. When simultaneous qualifications are conducted, each participating organization shall be represented during welding of test coupons by an employee who is responsible for welder performance qualification.

The welding procedure specifications (WPS) that are followed during simultaneous qualifications shall be compared by the participating organizations. The WPSs shall be identical for all the essential variables, except for the preheat temperature and PWHT requirements. The qualified thickness ranges for base metal and deposited weld metal need not be identical, but these thicknesses shall be adequate to permit welding of the test coupons. Alternatively, the participating organizations shall agree upon the use of a single WPS provided each participating organization has a PQR(s) to support the WPS covering the range of variables to be followed in the performance qualification. When a single WPS is to be followed, each participating organization shall review and accept that WPS.

Each participating organization's representative shall positively identify each welder or welding operator who is being tested. Each organizational representative shall also verify marking of the test coupon with

01

the welder's or welding operator's identification, and marking of the top of the test coupon when the orientation must be known in order to remove test specimens.

Each organization's representative shall perform a visual examination of each completed test coupon and shall examine each test specimen to determine its acceptability. Alternatively, after visual examination, when the test coupon(s) are prepared and tested by an independent laboratory, that laboratory's report may be used as the basis for accepting the test results. When the test coupon(s) is radiographically examined (QW-302.2), the radiographic testing facility's report may be used as the basis for acceptance of the radiographic test.

Each organizational representative shall complete and sign a Welder/Welding Operator Performance Qualification (WPQ) Record for each welder or welding operator. Forms QW-484A/QW-484B (see Nonmandatory Appendix B) have been provided as a guide for the WPQ.

When a welder or welding operator changes employers between participating organizations, the employing organization shall verify that the welder's continuity of qualifications has been maintained as required by QW-322 by previous employers since his qualification date. If the welder or welding operator has had his qualification withdrawn for specific reasons, the employing organization shall notify all other participating organizations that the welder's or welding operator's qualification(s) has been revoked in accordance with QW-322.1(b). The remaining participating organizations shall determine that the welder or welding operator can perform satisfactory work in accordance with this Section.

When a welder's or welding operator's qualifications are renewed in accordance with the provisions of QW-322.2, each renewing organization shall be represented by an employee who is responsible for welder performance qualification. The testing procedures shall follow the rules of this paragraph.

QW-301 Tests

QW-301.1 Intent of Tests. The performance qualification tests are intended to determine the ability of welders and welding operators to make sound welds.

QW-301.2 Qualification Tests. Each manufacturer or contractor shall qualify each welder or welding operator for each welding process to be used in production welding. The performance qualification test shall be welded in accordance with qualified Welding Procedure Specifications (WPS), except that when performance qualification is done in accordance with a WPS that

requires a preheat or postweld heat treatment, these may be omitted. Changes beyond which requalification is required are given in QW-350 for welders and in QW-360 for welding operators. Allowable visual, mechanical, and radiographic examination requirements are described in QW-304 and QW-305. Retests and renewal of qualification are given in QW-320.

The welder or welding operator who prepares the WPS qualification test coupons meeting the requirements of QW-200 is also qualified within the limits of the performance qualifications, listed in QW-304 for welders and in QW-305 for welding operators. He is qualified only within the limits for positions specified in QW-303.

The performance test may be terminated at any stage of the testing procedure, whenever it becomes apparent to the supervisor conducting the tests that the welder or welding operator does not have the required skill to produce satisfactory results.

QW-301.3 Identification of Welders and Welding Operators. Each qualified welder and welding operator shall be assigned an identifying number, letter, or symbol by the manufacturer or contractor, which shall be used to identify the work of that welder or welding operator.

QW-301.4 Record of Tests. The record of Welder/Welding Operator Performance Qualification (WPQ) tests shall include the essential variables (QW-350 or QW-360), the type of test and test results, and the ranges qualified in accordance with QW-452 for each welder and welding operator. Suggested forms for these records are given in Forms QW-484A/QW-484B (see Nonmandatory Appendix B). 01

QW-302 Type of Test Required

QW-302.1 Mechanical Tests. Except as may be specified for special processes (QW-380), the type and number of test specimens required for mechanical testing shall be in accordance with QW-452. Groove weld test specimens shall be removed in a manner similar to that shown in QW-463.2(a) through QW-463.2(h). Fillet weld test specimens shall be removed in a manner similar to that shown in QW-462.4(a) through QW-462.4(d) and QW-463.2(h).

All mechanical tests shall meet the requirements prescribed in QW-160 or QW-180, as applicable.

QW-302.2 Radiographic Examination. When the welder or welding operator is qualified by radiographic examination, as permitted in QW-304 for welders and QW-305 for welding operators, the minimum length

of coupon(s) to be examined shall be 6 in. (152 mm) and shall include the entire weld circumference for pipe(s), except that for small diameter pipe, multiple coupons may be required, but the number need not exceed four consecutively made test coupons. The radiographic technique and acceptance criteria shall be in accordance with QW-191.

QW-302.3 Test Coupons in Pipe. For test coupons made on pipe in position 1G or 2G of QW-461.4, two specimens shall be removed as shown for bend specimens in QW-463.2(d) or QW-463.2(e), omitting the specimens in the upper-right and lower-left quadrants, and replacing the root-bend specimen in the upper-left quadrant of QW-463.2(d) with a face-bend specimen. For test coupons made on pipe in position 5G or 6G of QW-461.4, specimens shall be removed in accordance with QW-463.2(d) or QW-463.2(e) and all four specimens shall pass the test. For test coupons made in both positions 2G and 5G on a single pipe test coupon, specimens shall be removed in accordance with QW-463.2(f) or QW-463.2(g).

QW-302.4 Visual Examination. For plate coupons all surfaces (except areas designated "discard") shall be examined visually per QW-194 before cutting of bend specimens. Pipe coupons shall be visually examined per QW-194 over the entire circumference, inside and outside.

QW-303 Limits of Qualified Positions and Diameters (See QW-461)

QW-303.1 Groove Welds — General. Welders and welding operators who pass the required tests for groove welds in the test positions of QW-461.9 shall be qualified for the positions of groove welds and fillet welds shown in QW-461.9. In addition, welders and welding operators who pass the required tests for groove welds shall also be qualified to make fillet welds in all thicknesses and pipe diameters of any size within the limits of the welding variables of QW-350 or QW-360, as applicable.

QW-303.2 Fillet Welds — General. Welders and welding operators who pass the required tests for fillet welds in the test positions of QW-461.9 shall be qualified for the positions of fillet welds shown in QW-461.9. Welders and welding operators who pass the tests for fillet welds shall be qualified to make fillet welds only in the thicknesses of material, sizes of fillet welds, and diameters of pipe and tube $2\frac{7}{8}$ in. (73 mm) O.D. and over, as shown in QW-452.5, within the

applicable essential variables. Welders and welding operators who make fillet welds on pipe or tube less than $2\frac{7}{8}$ in. (73 mm) O.D. must pass the pipe fillet weld test per QW-452.4 or the required mechanical tests in QW-304 and QW-305 as applicable.

QW-303.3 Special Positions. A fabricator who does production welding in a special orientation may make the tests for performance qualification in this specific orientation. Such qualifications are valid only for the flat position and for the special positions actually tested, except that an angular deviation of ± 15 deg is permitted in the inclination of the weld axis and the rotation of the weld face, as defined in QW-461.1 and QW-461.2.

QW-303.4 Stud-Weld Positions. Qualification in the 4S position also qualifies for the 1S position. Qualification in the 4S and 2S positions qualifies for all positions.

QW-304 Welders

Except for the special requirements of QW-380, each welder who welds under the rules of the Code shall have passed the mechanical and visual examinations prescribed in QW-302.1 and QW-302.4 respectively. Alternatively, welders making a groove weld using SMAW, SAW, GTAW, PAW, and GMAW (except short-circuiting mode) or a combination of these processes, may be qualified by radiographic examination, except for P-No. 21 through P-No. 25, P-No. 51 through P-No. 53, and P-No. 61 through P-No. 62 metals. Welders making groove welds in P-No. 21 through P-No. 25 and P-No. 51 through P-No. 53 metals with the GTAW process may also be qualified by radiographic examination. The radiographic examination shall be in accordance with QW-302.2.

A welder qualified to weld in accordance with one qualified WPS is also qualified to weld in accordance with other qualified WPSs, using the same welding process, within the limits of the essential variables of QW-350.

QW-304.1 Examination. Welds made in test coupons for performance qualification may be examined by visual and mechanical examinations (QW-302.1, QW-302.4) or by radiography (QW-302.2) for the process(es) and mode of arc transfer specified in QW-304. Alternatively, a 6 in. (152 mm) length of the first production weld made by a welder using the process(es) and/or mode of arc transfer specified in QW-304 may be qualified by radiography.

QW-304.2 Failure to Meet Radiographic Standards. If a production weld is selected for welder performance qualification and it does not meet the

radiographic standards, the welder has failed the test. In this event, the entire production weld made by this welder shall be radiographed and repaired by a qualified welder or welding operator. Alternatively, retests may be made as permitted in QW-320.

QW-305 Welding Operators

Except for the special requirements of QW-380, each welding operator who welds under the rules of this Code shall have passed the mechanical and visual examinations prescribed in QW-302.1 and QW-302.4 respectively. Alternatively, welding operators making a groove weld using SMAW, SAW, GTAW, PAW, EGW, and GMAW (except short-circuiting mode) or a combination of these processes, may be qualified by radiographic examination, except for P-No. 21 through P-No. 25, P-No. 51 through P-No. 53, and P-No. 61 through P-No. 62 metals. Welding operators making groove welds in P-No. 21 through P-No. 25 and P-No. 51 through P-No. 53 metals with the GTAW process may also be qualified by radiographic examination. The radiographic examination shall be in accordance with QW-302.2.

A welding operator qualified to weld in accordance with one qualified WPS is also qualified to weld in accordance with other qualified WPSs within the limits of the essential variables of QW-360.

QW-305.1 Examination. Welds made in test coupons may be examined by radiography (QW-302.2) or by visual and mechanical examinations (QW-302.1, QW-302.4). Alternatively, a 3 ft (0.9 m) length of the first production weld made entirely by the welding operator in accordance with a qualified WPS may be examined by radiography.

QW-305.2 Failure to Meet Radiographic Standards. If a portion of a production weld is selected for welding operator performance qualification, and it does not meet the radiographic standards, the welding operator has failed the test. In this event, the entire production weld made by this welding operator shall be radiographed completely and repaired by a qualified welder or welding operator. Alternatively, retests may be made as permitted in QW-320.

QW-306 Combination of Welding Processes

Each welder or welding operator shall be qualified within the limits given in QW-301 for the specific welding process(es) he will be required to use in production welding. A welder or welding operator may be qualified by making tests with each individual

welding process in separate test coupons, or with a combination of welding processes in a single test coupon. Two or more welders or welding operators, each using the same or a different welding process, may be qualified in combination in a single test coupon. For combination qualifications in a single test coupon, the limits for thicknesses of deposited weld metal, and bend and fillet testing are given in QW-452 and shall be considered individually for each welder or welding operator for each welding process or whenever there is a change in an essential variable. A welder or welding operator qualified in combination on a single test coupon is qualified to weld in production using any of his processes individually or in different combinations, provided he welds within his limits of qualification with each specific process.

Failure of any portion of a combination test in a single test coupon constitutes failure of the entire combination.

QW-310 QUALIFICATION TEST COUPONS

QW-310.1 Test Coupons. The test coupons may be plate, pipe, or other product forms. When all position qualifications for pipe are accomplished by welding one pipe assembly in both the 2G and 5G positions (QW-461.4), 6 in. (DN 150), 8 in. (DN 200), 10 in. (DN 250), or larger diameter pipe shall be employed to make up the test coupon as shown in QW-463.2(f) for 10 in. (DN 250) or larger pipe and in QW-463.2(g) for 6 in. (DN 150) or 8 in. (DN 200) diameter pipe.

QW-310.2 Welding Groove With Backing. The dimensions of the welding groove on the test coupon used in making qualification tests for double-welded groove welds or single-welded groove welds with backing shall be the same as those for any Welding Procedure Specification (WPS) qualified by the manufacturer, or shall be as shown in QW-469.1.

A single-welded groove-weld test coupon with backing or a double-welded groove-weld test coupon shall be considered welding with backing. Partial penetration groove welds and fillet welds are considered welding with backing.

QW-310.3 Welding Groove Without Backing. The dimensions of the welding groove of the test coupon used in making qualification tests for single-welded groove welds without backing shall be the same as those for any WPS qualified by the manufacturer, or as shown in QW-469.2.

QW-320 RETESTS AND RENEWAL OF QUALIFICATION

QW-321 Retests

A welder or welding operator who fails one or more of the tests prescribed in QW-304 or QW-305, as applicable, may be retested under the following conditions.

QW-321.1 Immediate Retest Using Visual Examination. When the qualification coupon has failed the visual examination of QW-302.4, retesting shall be by visual examination before conducting the mechanical testing.

When an immediate retest is made, the welder or welding operator shall make two consecutive test coupons for each position which he has failed, all of which shall pass the visual examination requirements.

The examiner may select one of the successful test coupons from each set of retest coupons which pass the visual examination for conducting the mechanical testing.

QW-321.2 Immediate Retest Using Mechanical Testing. When the qualification coupon has failed the mechanical testing of QW-302.1, retesting shall be by mechanical testing.

When an immediate retest is made, the welder or welding operator shall make two consecutive test coupons for each position which he has failed, all of which shall pass the test requirements.

QW-321.3 Immediate Retest Using Radiography. When the qualification coupon has failed the radiographic examination of QW-302.2, the immediate retest shall be by the radiographic examination method.

(a) For welders and welding operators the retest shall be to radiographically examine two 6 in. (152 mm) plate coupons; for pipe, to examine two pipes for a total of 12 in. (305 mm) of weld, which shall include the entire weld circumference for pipe or pipes (for small diameter pipe the total number of consecutively made test coupons need not exceed eight).

(b) At the option of the manufacturer, the welder who has failed the (production weld alternative) test in QW-304.1 may be retested by radiographing an additional 12 in. (305 mm) length of the same production weld. If this length of weld passes the test, the welder is qualified and the area of weld on which he had previously failed the test shall be repaired by him or another qualified welder.

If this 12 in. (305 mm) length does not meet the radiographic standards, the welder has failed the retest

and all of the production welds made by this welder shall be radiographed completely and repaired by a qualified welder or welding operator.

(c) At the option of the manufacturer, the welding operator who has failed the test in QW-305.2 may be retested by radiographing an additional 6 ft (1.8 m) length of the same production weld. If this length of weld passes the test, the welding operator is qualified and the area of weld on which he had previously failed the test shall be repaired by him or another qualified welder or welding operator. If this 6 ft (1.8 m) length does not meet the radiographic standards, the welding operator has failed the retest and all of the production welds made by this welding operator shall be radiographed completely and repaired by a qualified welder or welding operator.

QW-321.4 Further Training. When the welder or the welding operator has had further training or practice, a new test shall be made for each position on which he failed to meet the requirements.

QW-322 Expiration and Renewal of Qualification

QW-322.1 Expiration of Qualification. The performance qualification of a welder or welding operator shall be affected when one of the following conditions occurs:

(a) When he has not welded with a process during a period of 6 months or more, his qualifications for that process shall expire; unless, within the six month period, prior to his expiration of qualification,

(1) a welder has welded using a manual or semiautomatic welding process which will maintain his qualification for manual and semiautomatic welding with that process;

(2) a welding operator has welded with a machine or automatic welding process which will maintain his qualification for machine and automatic welding with that process.

(b) When there is a specific reason to question his ability to make welds that meet the specification, the qualifications which support the welding he is doing shall be revoked. All other qualifications not questioned remain in effect.

QW-322.2 Renewal of Qualification

(a) Renewal of qualification expired under QW-322.1(a) above may be made for any process by welding a single test coupon of either plate or pipe, of any material, thickness or diameter, in any position, and by testing of that coupon as required by QW-301 and QW-302. A successful test renews the welder or welding operator's previous qualifications for that process for those materials, thicknesses, diameters, positions, and other variables for which he was previously qualified.

Providing the conditions of QW-304 and QW-305 are satisfied, renewal of qualification under QW-322.1(a) may be done on production work.

(b) Welders and welding operators whose qualifications have been revoked under QW-322.1(b) above shall requalify. Qualification shall utilize a test coupon appropriate to the planned production work. The coupon shall be welded and tested as required by QW-301 and QW-302. Successful test restores the qualification.

QW-350 WELDING VARIABLES FOR WELDERS

QW-351 General

A welder shall be requalified whenever a change is made in one or more of the essential variables listed for each welding process.

Where a combination of welding processes is required to make a weldment, each welder shall be qualified for the particular welding process or processes he will be required to use in production welding. A welder may be qualified by making tests with each individual welding process, or with a combination of welding processes in a single test coupon.

The limits of weld metal thickness for which he will be qualified are dependent upon the approximate thickness of the weld metal he deposits with each welding process, exclusive of any weld reinforcement, this thickness shall be considered the test coupon thickness as given in QW-452.

In any given production weldment, welders may not deposit a thickness greater than that permitted by QW-452 for each welding process in which they are qualified.

**QW-352
OXYFUEL GAS WELDING (OFW)
Essential Variables**

Paragraph		Brief of Variables
QW-402 Joints	.7	+ Backing
QW-403 Base Metals	.2	Maximum qualified
	.18	ϕ P-Number
QW-404 Filler Metals	.14	\pm Filler
	.15	ϕ F-Number
	.31	ϕ t Weld deposit
QW-405 Positions	.1	+ Position
QW-408 Gas	.7	ϕ Type fuel gas

**QW-353
SHIELDED METAL-ARC WELDING (SMAW)
Essential Variables**

Paragraph		Brief of Variables
QW-402 Joints	.4	- Backing
QW-403 Base Metals	.16	ϕ Pipe diameter
	.18	ϕ P-Number
QW-404 Filler Metals	.15	ϕ F-Number
	.30	ϕ t Weld deposit
QW-405 Positions	.1	+ Position
	.3	ϕ $\uparrow \downarrow$ Vertical welding

**QW-354
SEMI-AUTOMATIC SUBMERGED-ARC WELDING (SAW)
Essential Variables**

Paragraph		Brief of Variables
QW-403 Base Metals	.16	ϕ Pipe diameter
	.18	ϕ P-Number
QW-404 Filler Metals	.15	ϕ F-Number
	.30	ϕ t Weld deposit
QW-405 Positions	.1	+ Position

QW-355
SEMI-AUTOMATIC GAS METAL-ARC
WELDING (GMAW)
 [This Includes Flux-Corded Arc Welding (FCAW)]
Essential Variables

Paragraph		Brief of Variables
QW-402 Joints	.4	- Backing
QW-403 Base Metals	.16	ϕ Pipe diameter
	.18	ϕ P-Number
QW-404 Filler Metals	.15	ϕ F-Number
	.30	ϕ <i>t</i> Weld deposit
	.32	<i>t</i> Limit (S. Cir. Arc.)
QW-405 Positions	.1	+ Position
	.3	ϕ $\uparrow\downarrow$ Vertical welding
QW-408 Gas	.8	- Inert backing
QW-409 Electrical	.2	ϕ Transfer mode

QW-357
MANUAL AND SEMI-AUTOMATIC
PLASMA-ARC WELDING (PAW)
Essential Variables

Paragraph		Brief of Variables
QW-402 Joints	.4	- Backing
QW-403 Base Metals	.16	ϕ Pipe diameter
	.18	ϕ P-Number
QW-404 Filler Metals	.14	\pm Filler
	.15	ϕ F-Number
	.22	\pm Inserts
	.23	ϕ Solid or metal-cored to flux-cored
	.30	ϕ <i>t</i> Weld deposit
QW-405 Positions	.1	+ Position
	.3	ϕ $\uparrow\downarrow$ Vertical welding
QW-408 Gas	.8	- Inert backing

Legend for QW-352 through QW-357:

- ϕ Change \uparrow Uphill
- + Addition \downarrow Downhill
- Deletion

QW-356
MANUAL AND SEMI-AUTOMATIC GAS
TUNGSTEN-ARC WELDING (GTAW)
Essential Variables

Paragraph		Brief of Variables
QW-402 Joints	.4	- Backing
QW-403 Base Metals	.16	ϕ Pipe diameter
	.18	ϕ P-Number
QW-404 Filler Metals	.14	\pm Filler
	.15	ϕ F-Number
	.22	\pm Inserts
	.23	ϕ Solid or metal-cored to flux-cored
	.30	ϕ <i>t</i> Weld deposit
QW-405 Positions	.1	+ Position
	.3	ϕ $\uparrow\downarrow$ Vertical welding
QW-408 Gas	.8	- Inert backing
QW-409 Electrical	.4	ϕ Current or polarity

QW-360 WELDING VARIABLES FOR WELDING OPERATORS

QW-361 General

A welding operator shall be requalified whenever a change is made in one of the following essential variables. There may be exceptions or additional requirements for the processes of QW-362, QW-363, and the special processes of QW-380.

QW-361.1 Essential Variables — Automatic Welding

- (a) A change from automatic to machine welding.
- (b) A change in the welding process.
- (c) For electron beam and laser welding, the addition or deletion of filler metal.
- (d) For laser welding, a change in laser type (e.g., a change from CO₂ to YAG).
- (e) For friction welding, a change from continuous drive to inertia welding or vice versa.
- (f) For electron beam welding, a change from vacuum to out-of-vacuum equipment, and vice versa.

QW-361.2 Essential Variables — Machine Welding

- (a) A change in the welding process.
- (b) A change from direct visual control to remote visual control and vice-versa.
- (c) The deletion of an automatic arc voltage control system for GTAW.
- (d) The deletion of automatic joint tracking.
- (e) The addition of welding positions other than those already qualified (see QW-120, QW-130, and QW-303).
- (f) The deletion of consumable inserts, except that qualification with consumable inserts shall also qualify for fillet welds and welds with backing.
- (g) The deletion of backing. Double-welded groove welds are considered welding with backing.
- (h) A change from single pass per side to multiple passes per side but not the reverse.

QW-362 Electron Beam Welding (EBW), Laser Beam Welding (LBW), and Friction Welding (FRW)

The performance qualification test coupon shall be production parts or test coupons that have joint designs permitted by any qualified WPS. The coupon shall be mechanically tested in accordance with QW-452. Alternatively, when the part or coupon does not readily lend itself to the preparation of bend test specimens, the part may be cut so that at least two full-thickness weld cross sections are exposed. Those cross sections shall be smoothed and etched with a suitable etchant (see QW-470) to give a clear definition of the weld metal and heat affected zone. The weld metal and heat affected zone shall exhibit complete fusion and freedom from cracks. The essential variables for welding operator qualification shall be in accordance with QW-361.

QW-363 Stud Welding

Stud welding operators shall be performance qualified in accordance with the test requirements of QW-193 and the position requirements of QW-303.4.

QW-380 SPECIAL PROCESSES**01 QW-381 Corrosion-Resistant Weld Metal Overlay**

(a) The size of test coupons, limits of base metal thickness qualification, required examinations and tests, and test specimens shall be as specified in QW-453.

(b) Welders or welding operators who pass the tests for corrosion-resistant weld metal overlay cladding shall only be qualified to apply corrosion-resistant weld metal overlay portion of a groove weld joining composite clad or lined materials.

(c) The essential variables of QW-350 and QW-360 shall apply for welders and welding operators, respectively, except there is no limit on the maximum thickness of corrosion-resistant overlay that may be applied in production. When specified as essential, the limitations of position and diameter qualified for groove welds shall apply to overlay welds except the limitations on diameter qualified shall apply only to welds deposited in the circumferential direction.

(d) A welder or welding operator who has qualified on composite welds in clad or lined material, as provided in QW-383.1(b) is also qualified to deposit corrosion-resistant weld metal overlay.

QW-382 Hard-Facing Weld Metal Overlay (Wear Resistant)

01

(a) The size of the test coupons, limits of base metal thickness qualification, required examinations and tests, and test specimens shall be as specified in QW-453. Base material test coupons may be as permitted in QW-423.

(b) Welders and welding operators who pass the tests for hard-facing weld metal overlay are qualified for hard-facing overlay only.

(c) The essential variable, of QW-350 and QW-360, shall apply for welders and welding operators, respectively, except there is no limit on the maximum thickness of hard-facing overlay that may be applied in production. When specified as essential variables, the limitations of position and diameter qualified for groove welds shall apply to overlay welds except the limitations on diameter qualified shall apply only to welds deposited in the circumferential direction.

(d) Qualification with one AWS classification within an SFA specification qualifies for all other AWS classifications in that SFA specification.

(e) A change in welding process shall require welder and welding operator requalification.

QW-383 Joining of Clad Materials and Applied Linings**QW-383.1 Clad Materials**

(a) Welders and welding operators who will join the base material portion of clad materials shall be qualified for groove welding in accordance with QW-301. Weld-

ers and welding operators who will apply the cladding portion of a weld between clad materials shall be qualified in accordance with QW-381. Welders and welding operators need only be qualified for the portions of composite welds that they will make in production.

(b) As an alternative to QW-383.1(a), welders and welding operators may be qualified using composite test coupons. The test coupon shall be at least $\frac{3}{8}$ in. (10 mm) thick and of dimensions such that a groove weld can be made to join the base materials and the corrosion-resistant weld metal overlay can be applied to the completed groove weld. Four side bend test specimens shall be removed from the completed test coupon and tested. The groove weld portion and the corrosion-resistant weld metal overlay portion of the test coupon shall be evaluated using the respective criteria in QW-163. Welders and welding operators qualified using composite test coupons are qualified to join base materials as provided by QW-301, and they are qualified to apply corrosion-resistant weld metal overlay as provided by QW-381.

QW-383.2 Applied Linings

(a) Welders and welding operators shall be qualified following the rules for making groove or fillet welds

in accordance with QW-301. Plug welds for attaching applied linings shall be considered equivalent to fillet welds for the purpose of performance qualification.

(b) An alternate test coupon shall consist of the geometry to be welded, except the base material need not exceed 1 in. (25 mm) in thickness. The welded test coupon shall be sectioned and etched to reveal the weld and heat-affected zone. The weld shall show penetration into the base metal.

QW-384 Resistance Welding Operator Qualification

Each welding operator shall be tested on each machine type which he will use. Qualification testing on any P-No. 21 through P-No. 25 metal shall qualify the operator for all materials. Qualification on any P-No. 1 through P-No. 11 or any P-No. 41 through P-No. 47 metals shall qualify the operator for all P-No. 1 through P-No. 11 or P-No. 41 through P-No. 47 metals. Qualification testing shall consist of making a set of 10 consecutive welds, five of which shall be subjected to mechanical shear tests or peel tests, and five to metallographic examination. Examination, testing, and acceptance criteria shall be in accordance with QW-196.

ARTICLE IV

WELDING DATA

QW-400 VARIABLES

QW-401 General

Each welding variable described in this Article is applicable as an essential, supplemental essential, or nonessential variable for procedure qualification when referenced in QW-250 for each specific welding process. Essential variables for performance qualification are referenced in QW-350 for each specific welding process. A change from one welding process to another welding process is an essential variable and requires requalification.

QW-401.1 Essential Variable (Procedure). A change in a welding condition which will affect the mechanical properties (other than notch toughness) of the weldment (for example, change in P-Number, welding process, filler metal, electrode, preheat or postweld heat treatment, etc.).

QW-401.2 Essential Variable (Performance). A change in a welding condition which will affect the ability of a welder to deposit sound weld metal (such as a change in welding process, deletion of backing, electrode, F-Number, technique, etc.).

QW-401.3 Supplemental Essential Variable (Procedure). A change in a welding condition which will affect the notch-toughness properties of a weldment (for example, change in welding process, uphill or down vertical welding, heat input, preheat or PWHT, etc.).

When a procedure has been previously qualified to satisfy all requirements other than notch toughness, it is then necessary only to prepare an additional test coupon using the same procedure with the same essential variables, but additionally with all of the required supplementary essential variables, with the coupon long enough to provide the necessary notch-toughness specimens.

When a procedure has been previously qualified to satisfy all requirements including notch toughness, but one or more supplementary essential variable is changed, then it is only necessary to prepare an additional test coupon using the same welding procedure and the new

supplementary essential variable(s), with the coupon long enough to provide the necessary notch-toughness specimens. If a previously qualified weld procedure has satisfactory notch-toughness values in the weld metal, then it is necessary only to test notch-toughness specimens from the heat affected zone when such are required.

QW-401.4 Nonessential Variable (Procedure). A change in a welding condition which will *not* affect the mechanical properties of a weldment (such as joint design, method of back gouging or cleaning, etc.).

QW-401.5 The welding data includes the welding variables grouped as joints, base metals, filler metals, position, preheat, postweld heat treatment, gas, electrical characteristics, and technique. For convenience, variables for each welding process are summarized in QW-416 for performance qualification.

QW-402 Joints

QW-402.1 A change in the type of groove (Vee-groove, U-groove, single-bevel, double-bevel, etc.).

QW-402.2 The addition or deletion of a backing.

QW-402.3 A change in the nominal composition of the backing.

QW-402.4 The deletion of the backing in single-welded groove welds. Double-welded groove welds are considered welding with backing.

QW-402.5 The addition of a backing or a change in its nominal composition.

QW-402.6 An increase in the fit-up gap, beyond that initially qualified.

QW-402.7 The addition of backing.

QW-402.8 A change in nominal size or shape of the stud at the section to be welded.

QW-402.9 In stud welding, a change in shielding as a result of ferrule or flux type.

QW-402.10 A change in the specified root spacing.

QW-402.11 The addition or deletion of nonmetallic retainers or nonfusing metal retainers.

QW-402.12 The welding procedure qualification test shall duplicate the joint configuration to be used in production within the limits listed, except that pipe or tube to pipe or tube may be used for qualification of a pipe or tube to other shapes, and solid round to solid round may be used for qualification of a solid round to other shapes:

(a) any change exceeding ± 10 deg in the angle measured for the plane of either face to be joined, to the axis of rotation;

(b) a change in cross-sectional area of the weld joint greater than 10%;

(c) a change in the outside diameter of the cylindrical weld interface of the assembly greater than $\pm 10\%$;

(d) a change from solid to tubular cross section at the joint or vice versa regardless of QW-402.12(b).

QW-402.13 A change in the joint from spot to projection to seam or vice versa.

QW-402.14 A decrease in the center-to-center distance when the welds overlap. An increase or decrease of more than 10% in the spacing of the welds when they are within two diameters of each other.

QW-402.15 A change in the size or shape of the projection in projection welding.

QW-402.16 A decrease in the distance between the approximate weld interface and the final surface of the production corrosion-resistant or hard-facing weld metal overlay below the minimum thickness qualified as shown in QW-462.5(a) through QW-462.5(e). There is no limit on the maximum thickness for corrosion-resistant or hard-facing weld metal overlay that may be used in production.

QW-402.17 An increase in the thickness of the production spray fuse hard-facing deposit above the thickness deposited on the procedure qualification test coupon.

QW-402.18 When the joint is a lap joint, the following additional variables shall apply:

(a) a change of more than 10% in the distance to the edge of the material;

(b) a change of more than 10% in the joint overlap;

(c) a change in the number of layers of material;

(d) a change in the method of surface conditioning at the metal-to-metal interfaces.

QW-403 Base Metals

QW-403.1 A change from a base metal listed under one P-Number in QW/QB-422 to a metal listed under another P-Number or to any other base metal. When joints are made between two base metals that have different P-Numbers, a procedure qualification shall be made for the applicable combination of P-Numbers, even though qualification tests have been made for each of the two base metals welded to itself.

QW-403.2 The maximum thickness qualified is the thickness of the test coupon.

QW-403.3 Where the measurement of penetration can be made by visual or mechanical means, requalification is required where the base metal thickness differs by 20% from that of the test coupon thickness when the test coupon thickness is 1 in. (25 mm) and under, and 10% when the test coupon thickness is over 1 in. (25 mm) Where the measurement of penetration cannot be made, requalification is required where the base metal thickness differs by 10% from that of the test coupon when the test coupon thickness is 1 in. (25 mm) and under, and 5% when the test coupon thickness is over 1 in. (25 mm).

QW-403.4 Welding procedure qualifications shall be made using a base metal of the same type or grade or another base metal listed in the same group (see QW/QB-422) as the base metal to be used in production welding. When joints are to be made between base metals from two different groups, a procedure qualification must be made for the applicable combination of base metals, even though procedure qualification tests have been made for each of the two base metals welded to itself.

QW-403.5 Welding procedure qualifications shall be made using a base metal of the same type or grade or another base metal listed in the same P-Number and Group Number (see QW/QB-422) as the base metal to be used in production welding. A procedure qualification shall be made for each P-Number and Group Number combination of base metals, even though procedure qualification tests have been made for each of the two base metals welded to itself. If, however, the procedure specification for welding the combination of base metals specifies the same essential variables, including electrode or filler metal, as both specifications for welding each base metal to itself, such that base metals is the only change, then the procedure specification for welding the combination of base metals is also qualified. In addition, when base metals of two different P-Number Group Number combinations are qualified

using a single test coupon, that coupon qualifies the welding of those two P-Number Group Numbers to themselves as well as to each other using the variables qualified. This variable does not apply when impact testing of the heat-affected zone is not required by other Sections.

QW-403.6 The minimum base metal thickness qualified is the thickness of the test coupon T or $\frac{5}{8}$ in. (16 mm), whichever is less. However, where T is less than $\frac{1}{4}$ in. (6 mm), the minimum thickness qualified is $\frac{1}{2}T$. This limitation does not apply when a WPS is qualified with a PWHT above the upper transformation temperature or when an austenitic material is solution annealed after welding.

QW-403.7 For the multipass processes of shielded metal-arc, submerged-arc, gas tungsten-arc, and gas metal-arc, the maximum thickness qualified for $1\frac{1}{2}$ in. (38 mm) and over thickness T of the test coupon of QW-451.1 shall be 8 in. (203 mm) for the conditions shown in QW-451.1. For thicknesses greater than 8 in. (203 mm), the maximum thicknesses of base metal and deposited weld metal qualified is $1.33T$ or $1.33t$, as applicable.

QW-403.8 A change in base metal thickness beyond the range qualified in QW-451, except as otherwise permitted by QW-202.4(b).

QW-403.9 For single-pass or multipass welding in which any pass is greater than $\frac{1}{2}$ in. (13 mm) thick, an increase in base metal thickness beyond 1.1 times that of the qualification test coupon.

QW-403.10 For the short-circuiting transfer mode of the gas metal-arc process, when the qualification test coupon thickness is less than $\frac{1}{2}$ in. (13 mm), an increase in thickness beyond 1.1 times that of the qualification test coupon. For thicknesses of $\frac{1}{2}$ in. (13 mm) and greater, use QW-451.1 or QW-451.2, as applicable.

QW-403.11 Base metals specified in the WPS shall be qualified by a procedure qualification test which was made using base metals in accordance with QW-424.

QW-403.12 A change from a base metal listed under one P-Number of QW/QB-422 to a base metal listed under another P-Number. When joints are made between two base metals that have different P-Numbers, requalification is required even though the two base metals have been independently qualified using the same procedure. When the melt-in technique is used for joining P-No. 1, P-No. 3, P-No. 4, and P-No. 5A, a procedure qualification test with one P-Number metal shall also

qualify for that P-Number metal welded to each of the lower P-Number metals, but not vice versa.

QW-403.13 A change from one P-No. 5 to any other P-No. 5 (viz P-No. 5A to P-No. 5B or P-No. 5C or vice versa). A change from P-No. 9A to P-No. 9B but not vice versa. A change from one P-No. 10 to any other P-No. 10 (viz P-No. 10A to P-No. 10B or P-No. 10C, etc., or vice versa).

QW-403.15 Welding procedure qualifications for laser beam welding and electron beam welding shall be made using a base metal of the same type or grade or another base metal listed in the same P-Number (and the same group where given — see QW/QB-422) as the base metal to be used in production welding. When joints are to be made between base metals from two different P-Numbers (or two different groups), a procedure qualification must be made for the applicable combination of base metals even though procedure qualification tests have been made for each of the two base metals welded to itself.

QW-403.16 A change in the pipe diameter beyond the range qualified in QW-452, except as otherwise permitted in QW-303.1, QW-303.2, QW-381(c), or QW-382(c).

QW-403.17 In stud welding, a change in combination of base metal listed under one P-Number in QW/QB-422 and stud metal P-Number (as defined in Note below), or to any other base metal/stud metal combination.

NOTE: Stud metal shall be classified by nominal chemical composition and can be assigned a P-Number when it meets the nominal composition of any one of the P-Number metals.

QW-403.18 A change from one P-Number to any other P-Number or to a base metal not listed in QW/QB-422, except as permitted in QW-423, and in QW-420.2.

QW-403.19 A change to another base material type or grade (type or grade are materials of the same nominal chemical analysis and mechanical property range, even though of different product form), or to any other base material type or grade. When joints are made between two different types or grades of base material, a procedure qualification must be made for the applicable combinations of materials, even though procedure qualification tests have been made for each of the two base materials welded to itself.

QW-403.20 A change from a base metal, listed under one P-Number in QW/QB-422, to a metal listed under another P-Number or to any other base metal; from a

base metal of one subgroup to any other grouping in P-No. 10 or 11.

QW-403.21 The addition or deletion of a coating, plating or cladding, or a change in the nominal chemical analysis or thickness range of the plating or cladding, or a change in type of coating as specified in the WPS.

QW-403.22 A change in the nominal base metal thickness exceeding 5% of any outer sheet thickness or 10% of the nominal thickness of the total joint from that qualified.

QW-403.23 A change in base metal thickness beyond the range qualified in QW-453.

QW-404 Filler Metals

QW-404.1 A change in the cross-sectional area of the filler metal added (excluding buttering) or in the wire-feed speed greater than $\pm 10\%$ beyond that qualified.

QW-404.2 A decrease in the thickness or change in nominal specified chemical analysis of weld metal buttering beyond that qualified. (Buttering or surfacing is the deposition of weld metal on one or both faces of the joint prior to preparation of the joint for final electron beam welding.)

QW-404.3 A change in the size of the filler metal.

QW-404.4 A change from one F-Number in QW-432 to any other F-Number or to any other filler metal not listed in QW-432.

QW-404.5 (Applicable only to ferrous metals.) A change in the chemical composition of the weld deposit from one A-Number to any other A-Number in QW-442. Qualification with A-No. 1 shall qualify for A-No. 2 and vice versa.

The weld metal chemical composition may be determined by any of the following.

(a) For all welding processes — from the chemical analysis of the weld deposit taken from the procedure qualification test coupon.

(b) For SMAW, GTAW, and PAW — from the chemical analysis of the weld deposit prepared according to the filler metal specification, or from the chemical composition as reported either in the filler metal specification or the manufacturer's or supplier's certificate of compliance.

(c) For GMAW and EGW — from the chemical analysis of the weld deposit prepared according to the filler metal specification or the manufacturer's or supplier's certificate of compliance when the shielding

gas used was the same as that used to weld the procedure qualification test coupon.

(d) For SAW — from the chemical analysis of the weld deposit prepared according to the filler metal specification or the manufacturer's or supplier's certificate of compliance when the flux used was the same as that used to weld the procedure qualification test coupon.

In lieu of an A-Number designation, the nominal chemical composition of the weld deposit shall be indicated on the WPS and on the PQR. Designation of nominal chemical composition may also be by reference to the AWS classification (where such exists), the manufacturer's trade designation, or other established procurement documents.

QW-404.6 A change in the nominal size of the electrode or electrodes specified in the WPS.

QW-404.7 A change in the nominal diameter of the electrode to over $\frac{1}{4}$ in. (6 mm). This limitation does not apply when a WPS is qualified with a PWHT above the upper transformation temperature or when an austenitic material is solution annealed after welding.

QW-404.8 Addition or deletion, or a change in nominal amount or composition of supplementary deoxidation material (in addition to filler metal) beyond that qualified. (Such supplementary metal may be required for weld metal deoxidation for some metals being welded.)

QW-404.9

(a) A change in the indicator for minimum tensile strength (e.g., the 7 in F7A2-EM12K) when the flux wire combination is classified in Section II, Part C.

(b) A change in either the flux trade name or wire trade name when neither the flux nor the wire is classified in Section II, Part C.

(c) A change in the flux trade name when the wire is classified in Section II, Part C but the flux is not classified. A change in the wire classification within the requirements of QW-404.5 does not require requalification.

(d) A change in the flux trade name for A-No. 8 deposits.

QW-404.10 Where the alloy content of the weld metal is largely dependent upon the composition of the flux used, any change in any part of the welding procedure which would result in the important alloying elements in the weld metal being outside of the specification range of chemistry given in the Welding Procedure Specification. If there is evidence that the production welds are not being made in accordance with the

procedure specification, the authorized inspector may require that a check be made on the chemical composition of the weld metal. Such a check shall preferably be made on a production weld.

QW-404.12 A change in the SFA specification filler metal classification or to a filler metal not covered by an SFA specification, or from one filler metal not covered by an SFA specification to another which is not covered by an SFA specification.

When a filler metal conforms to an SFA specification classification, requalification is not required if a change is made in any of the following:

(a) from a filler metal which is designated as moisture-resistant to one which is not designated as moisture-resistant and vice-versa (i.e., from E7018R to E7018);

(b) from one diffusible hydrogen level to another (i.e., from E7018-H8 to E7018-H16);

(c) for carbon, low alloy, and stainless steel filler metals having the same minimum tensile strength and the same nominal chemical composition, a change from one low hydrogen coating type to another low hydrogen coating type (i.e., a change among EXX15, 16, or 18 or EXXX15, 16, or 17 classifications);

(d) from one position-usability designation to another for flux cored electrodes (i.e., a change from E70T-1 to E71T-1 or vice versa);

(e) from a classification which requires impact testing to the same classification which has a suffix which indicates that impact testing was performed at a lower temperature or exhibited greater toughness at the required temperature or both, as compared to the classification which was used during procedure qualification (i.e., a change from E7018 to E7018-1).

(f) from the classification qualified to another filler metal within the same SFA specification when the weld metal is exempt from Impact Testing by other Sections.

This exemption does not apply to hard-facing and corrosion-resistant overlays.

QW-404.14 The deletion or addition of filler metal.

QW-404.15 A change from one F-Number in QW-432 to any other F-Number or to any other filler metal, except as permitted in QW-433.

QW-404.17 A change in the type of flux or composition of the flux.

QW-404.18 A change from wire to plate electrodes, and vice versa.

QW-404.19 A change from consumable guide to nonconsumable guide, and vice versa.

QW-404.20 Any change in the method by which filler metal is added, such as preplaced shim, top strip, wire, wire feed, or prior weld metal buttering of one or both joint faces.

QW-404.21 For filler metal additions, any change from the nominal specified analysis of the filler metal qualified.

QW-404.22 The omission or addition of consumable inserts. Qualification in a single-welded butt joint, with or without consumable inserts, qualifies for fillet welds and single-welded butt joints with backing or double-welded butt joints. Consumable inserts that conform to SFA-5.30, except that the chemical analysis of the insert conforms to an analysis for any bare wire given in any SFA specification or AWS Classification, shall be considered as having the same F-Number as that bare wire as given in QW-432.

QW-404.23 A change from one of the following filler metal product forms to another:

(a) flux cored

(b) bare (solid) or metal cored

(c) powder

QW-404.24 The addition, deletion, or change of more than 10% in the volume of supplemental filler metal.

QW-404.27 Where the alloy content of the weld metal is largely dependent upon the composition of the supplemental filler metal (including powder filler metal for PAW), any change in any part of the welding procedure which would result in the important alloying elements in the weld metal being outside of the specification range of chemistry given in the Welding Procedure Specification.

QW-404.29 A change in the flux trade name and designation.

QW-404.30 A change in deposited weld metal thickness beyond the range qualified in QW-451 for procedure qualification or QW-452 for performance qualification, except as otherwise permitted in QW-303.1 and QW-303.2. When a welder is qualified using radiography, the thickness ranges of QW-452.1 apply.

QW-404.31 The maximum thickness qualified is the thickness of the test coupon.

QW-404.32 For the low voltage short-circuiting type of gas metal-arc process when the deposited weld metal thickness is less than $\frac{1}{2}$ in. (13 mm), an increase in deposited weld metal thickness beyond 1.1 times that of the qualification test deposited weld metal thickness.

For weld metal thicknesses of $\frac{1}{2}$ in. (13 mm) and greater, use QW-451.1 or QW-451.2, or QW-452.1 or QW-452.2, as applicable.

QW-404.33 A change in the SFA specification filler metal classification, or, if not conforming to an AWS filler metal classification, a change in the manufacturer's trade name for the electrode or filler metal. When optional supplemental designators, such as those which indicate moisture resistance (i.e., XXXXR), diffusible hydrogen (i.e., XXXX H16, H8, etc.), and supplemental impact testing (i.e., XXXX-1 or EXXXXM), are specified on the WPS, only filler metals which conform to the classification with the optional supplemental designator(s) specified on the WPS shall be used.

QW-404.34 A change in flux type (i.e., neutral to active or vice versa) for multilayer deposits in P-No. 1 materials.

QW-404.35 A change in the flux/wire classification or a change in either the electrode or flux trade name when not classified in an SFA specification. Requalification is not required when a wire/flux combination conforms to an SFA specification and a change is made from one diffusible hydrogen level to another (i.e., a change from F7A2-EA1-A1H4 to F7A2-EA1-A1H16). This variable does not apply when the weld metal is exempt from impact testing by other Sections. This exemption does not apply to hard facing and corrosion-resistant overlays.

QW-404.36 When flux from recrushed slag is used, each batch or blend, as defined in SFA-5.01, shall be tested in accordance with Section II, Part C by either the manufacturer or user, or qualified as an unclassified flux in accordance with QW-404.9.

QW-404.37 A change in the composition of the deposited weld metal from one A-Number in QW-442 to any other A-Number, or to an analysis not listed in the table. Each AWS classification of A-No. 8 or A-No. 9 analysis of QW-442, or each nonferrous alloy in QW-432, shall require separate WPS qualification. A-Numbers may be determined in accordance with QW-404.5.

QW-404.38 A change in the nominal electrode diameter used for the first layer of deposit.

QW-404.39 For submerged-arc welding and electroslag welding, a change in the nominal composition or type of flux used. Requalification is not required for a change in flux particle size.

QW-404.41 A change of more than 10% in the powdered metal feed rate recorded on the PQR.

QW-404.42 A change of more than 5% in the particle size range of the powder.

QW-404.43 A change in the powdered metal particle size range recorded on the PQR.

QW-404.44 A change from a homogeneous powdered metal to a mechanical mixed powdered metal or vice versa.

QW-404.45 A change in the form of filler metal from solid to fabricated wire, flux-cored wire, powdered metal, or vice versa.

QW-404.46 A change in the powder feed rate range qualified.

QW-404.47 A change of more than 10% in the filler metal size and/or powder metal particle size.

QW-404.48 A change of more than 10% in the powder metal density.

QW-404.49 A change of more than 10% in the filler metal or powder metal feed rate.

QW-404.50 The addition or deletion of flux to the face of a weld joint for the purpose of affecting weld penetration. 01

QW-405 Positions

QW-405.1 The addition of other welding positions than those already qualified. See QW-120, QW-130, and QW-303.

QW-405.2 A change from any position to the vertical position uphill progression. Vertical-uphill progression (e.g., 3G, 5G, or 6G position) qualifies for all positions. In uphill progression, a change from stringer bead to weave bead. This limitation does not apply when a WPS is qualified with a PWHT above the upper transformation temperature or when an austenitic material is solution annealed after welding.

QW-405.3 A change from upward to downward, or from downward to upward, in the progression specified for any pass of a vertical weld, except that the cover or wash pass may be up or down. The root pass may also be run either up or down when the root pass is removed to sound weld metal in the preparation for welding the second side.

QW-405.4 Except as specified below, the addition of other welding positions than already qualified.

(a) Qualification in the horizontal, vertical, or overhead position shall also qualify for the flat position. Qualification in the horizontal fixed position, 5G, shall

qualify for the flat, vertical, and overhead positions. Qualification in the horizontal, vertical, and overhead positions shall qualify for all positions. Qualification in the inclined fixed position, 6G, shall qualify for all positions.

(b) A fabricator who does production welding in a particular orientation may make the tests for procedure qualification in this particular orientation. Such qualifications are valid only for the positions actually tested, except that an angular deviation of ± 15 deg is permitted in the inclination of the weld axis and the rotation of the weld face as defined in QW-461.1. A test specimen shall be taken from the test coupon in each special orientation.

(c) For hard-facing weld metal overlay, qualification in the 3G, 5G, or 6G positions, where 5G or 6G pipe coupons include at least one vertical segment completed utilizing the up-hill progression or a 3G plate coupon is completed utilizing the up-hill progression, shall qualify for all positions. Chemical analysis, hardness, and macro-etch tests required in QW-453 may be limited to a single, vertical up-hill overlaid segment as shown in QW-462.5(b).

(d) For hard-facing weld metal overlay, a change from vertical down to vertical up-hill progression shall require requalification.

QW-406 Preheat

QW-406.1 A decrease of more than 100°F (56°C) in the preheat temperature qualified. The minimum temperature for welding shall be specified in the WPS.

QW-406.2 A change in the maintenance or reduction of preheat upon completion of welding prior to any required postweld heat treatment.

QW-406.3 An increase of more than 100°F (56°C) in the maximum interpass temperature recorded on the PQR. This limitation does not apply when a WPS is qualified with a PWHT above the upper transformation temperature or when an austenitic material is solution annealed after welding.

QW-406.4 A decrease of more than 100°F (56°C) in the preheat temperature qualified or an increase in the maximum interpass temperature recorded on the PQR. The minimum temperature for welding shall be specified in the WPS.

QW-406.5 A change in the maintenance or reduction of preheat upon completion of spraying and prior to fusing.

QW-406.6 A change of more than 10% in the amplitude or number of preheating cycles from that qualified.

QW-407 Postweld Heat Treatment

QW-407.1 A separate procedure qualification is required for each of the following conditions.

(a) For P-No. 1, P-No. 3, P-No. 4, P-No. 5, P-No. 6, P-No. 9, P-No. 10, and P-No. 11 materials, the following postweld heat treatment conditions apply:

(1) No PWHT;

(2) PWHT below the lower transformation temperature;

(3) PWHT above the upper transformation temperature (e.g., normalizing);

(4) PWHT above the upper transformation temperature followed by heat treatment below the lower transformation temperature (e.g., normalizing or quenching followed by tempering);

(5) PWHT between the upper and lower transformation temperatures.

(b) For all other materials, the following postweld heat treatment conditions apply:

(1) No PWHT;

(2) PWHT within a specified temperature range.

QW-407.2 A change in the postweld heat treatment (see QW-407.1) temperature and time range.

The procedure qualification test shall be subjected to PWHT essentially equivalent to that encountered in the fabrication of production welds, including at least 80% of the aggregate times at temperature(s). The PWHT total time(s) at temperature(s) may be applied in one heating cycle.

QW-407.4 For a procedure qualification test coupon receiving a postweld heat treatment in which the upper transformation temperature is exceeded, the maximum qualified thickness for production welds is 1.1 times the thickness of the test coupon.

QW-407.5 A separate procedure qualification is required for each of the following conditions:

(a) No PWHT;

(b) A change of more than 10% in the number of post heating cycles following the welding interval;

(c) PWHT within a specified temperature and time range if heat treatment is performed separately from the welding operation.

QW-407.6 A change in postweld heat treatment condition in QW-407.1 or an increase of 25% or more in total time at postweld heat treating temperature.

QW-407.7 A change in the heat treatment temperature range qualified if heat treatment is applied after fusing.

QW-408 Gas

QW-408.1 The addition or deletion of trailing shielding gas and/or a change in its composition.

01 **QW-408.2** A separate procedure qualification is required for each of the following conditions:

(a) a change from a single shielding gas to any other single shielding gas;

(b) a change from a single shielding gas to a mixture of shielding gasses, and vice versa;

(c) a change in the specified percentage composition of a shielding gas mixture;

(d) the addition or omission of shielding gas.

The AWS classification of SFA 5.32 may be used to specify the shielding gas composition.

QW-408.3 A change in the specified flow rate range of the shielding gas or mixture of gases.

QW-408.4 A change in composition and flow rates of orifice gas and shielding gas.

QW-408.5 The addition or deletion of gas backing, a change in backing gas composition, or a change in the specified flow rate range of the backing gas.

QW-408.6 Any change of environment shielding such as from vacuum to an inert gas, or vice versa.

QW-408.7 A change in the type of fuel gas.

QW-408.8 The omission of inert gas backing except that requalification is not required when welding a single-welded butt joint with a backing strip or a double-welded butt joint or a fillet weld. This exception does not apply to P-No. 51 through P-No. 53, P-No. 61 through P-No. 62, and P-No. 10I metals.

01 **QW-408.9** For groove welds in P-No. 41 through P-No. 47 and all welds of P-No. 10I, P-No. 10J, P-No. 10K, P-No. 51 through P-No. 53, and P-No. 61 through P-No. 62 metals, the deletion of backing gas or a change in the nominal composition of the backing gas from an inert gas to a mixture including non-inert gas(es).

01 **QW-408.10** For P-No. 10I, P-No. 10J, P-No. 10K, P-No. 51 through P-No. 53, and P-No. 61 through P-No. 62 metals, the deletion of trailing shielding gas, or a change in the nominal composition of the trailing gas from an inert gas to a mixture including non-inert gas(es), or a decrease of 10% or more in the trailing gas flow rate.

QW-408.11 The addition or deletion of one or more of the following: shielding gas, trailing shielding gas, backing gas, or plasma-removing gas.

QW-408.12 A change of more than 5% in the flow rate of one or more of the following: shielding gas, trailer shielding gas, backing gas, and plasma-removing gas.

QW-408.13 A change in the position or orientation of plasma-removing gas jet relative to the workpiece (e.g., coaxial transverse to beam).

QW-408.14 A change in the oxygen or fuel gas pressure beyond the range qualified.

QW-408.15 In gas metal-arc welding and gas tungsten-arc welding: a change from a single gas to any other single gas or to a mixture of gases, or vice versa; a change in specified percentage composition of gas mixture or omission of shielding gas; a decrease of 10% or more in the rate of flow of shielding gas or mixture.

QW-408.16 A change of more than 5% in the flow rate of the plasma-arc gas or powdered metal feed gas recorded on the PQR.

QW-408.17 A change in the plasma-arc gas, shielding gas, or powdered metal feed gas from a single gas to any other single gas, or to a mixture of gases, or vice versa.

QW-408.18 A change of more than 10% in the gas mixture composition of the plasma-arc gas, shielding gas, or powdered metal feed gas recorded on the PQR.

QW-408.19 A change in the nominal composition of the powder feed gas or (plasma-arc spray) plasma gas qualified.

QW-408.20 A change of more than 5% in the plasma gas flow rate range qualified.

QW-409 Electrical Characteristics

QW-409.1 An increase in heat input, or an increase in volume of weld metal deposited per unit length of weld, over that qualified. The increase may be measured by either of the following:

(a) Heat input [J/in. (J/mm)]

$$= \frac{\text{Voltage} \times \text{Amperage} \times 60}{\text{Travel Speed [in./min (mm/min)]}}$$

(b) Volume of Weld Metal = an increase in bead size or a decrease in length of weld bead per unit length of electrode.

The requirement for measuring the heat input or volume of deposited weld metal does not apply when the WPS is qualified with a PWHT above the upper transformation temperature or a solution anneal after welding austenitic materials.

QW-409.2 A change from spray arc, globular arc, or pulsating arc to short circuiting arc, or vice versa.

QW-409.3 The addition or deletion of pulsing current to dc power source.

QW-409.4 A change from ac to dc, or vice versa; and in dc welding, a change from electrode negative (straight polarity) to electrode positive (reverse polarity), or vice versa.

QW-409.5 A change of $\pm 15\%$ from the amperage or voltage ranges in the qualified WPS.

QW-409.6 A change in the beam current of more than $\pm 5\%$, voltage of more than $\pm 2\%$, welding speed of more than $\pm 2\%$, beam focus current of more than $\pm 5\%$, gun-to-work distance of more than $\pm 5\%$, or a change in oscillation length or width of more than $\pm 20\%$ from those previously qualified.

QW-409.7 Any change in the beam pulsing frequency duration from that qualified.

QW-409.8 A change in the range of amperage, or except for SMAW and GTAW welding, a change in the range of voltage. A change in the range of electrode wire feed speed may be used as an alternative to amperage.

QW-409.9 A change in the arc timing of more than $\pm \frac{1}{10}$ sec.

QW-409.10 A change in amperage of more than $\pm 10\%$.

QW-409.11 A change in the power source from one model to another.

QW-409.12 A change in type or size of tungsten electrode.

QW-409.13 A change in the shape or dimensions of the welding electrode; a change from one RWMA (Resistance Welding Manufacturer's Association) class electrode material to another.

QW-409.14 Addition or deletion of upslope or downslope current control, or a change of more than 10% in the slope current time or amplitude.

QW-409.15 A change of more than 5% in the electrode pressure, the welding current, or the welding time cycle from that qualified, except that requalification is not required if there is a change of not more than 10% in either the electrode pressure or the welding current or the welding time cycle, provided the remaining two variables remain at the values qualified. A change from ac to dc or vice versa. The addition or deletion of pulsing current to a dc power source. When using pulsing dc current, a change of more than 5% in the pulse amplitude, width, or number of pulses per cycle from that qualified.

QW-409.16 A change from synchronous to asynchronous timing.

QW-409.17 A change in the power supply primary voltage or frequency, or in the transformer turns ratio, tap setting, choke position, secondary open circuit voltage or phase control setting.

QW-409.18 A change in the procedure or frequency of tip cleaning.

QW-409.19 Any change in the beam pulsing frequency and pulse duration from that qualified.

QW-409.20 Any change in the following variables: mode of operation (from pulsed to continuous and vice versa), energy distribution across the beam (i.e., multimode or gaussian).

QW-409.21 Any change in the following variables: a change of more than 5% in the power delivered to the work surface as measured by calorimeter or other equivalent methods; a change of more than 2% in the travel speed; a change of more than 2% of the ratio of the beam diameter to focal length; a change of more than 2% of the lens to work distance.

QW-409.22 An increase of more than 10% in the amperage used in application for the first layer.

QW-409.23 A change of more than 10% in the ranges of amperage or voltage qualified.

QW-409.24 A change of more than 10% in the filler wire wattage recorded on the PQR. Wattage is a function of current voltage, and stickout dimension.

QW-409.25 A change of more than 10% in the plasma-arc current or voltage recorded on the PQR.

QW-409.26 For the first layer only, an increase in heat input of more than 10% or an increase in volume

of weld metal deposited per unit length of weld of more than 10% over that qualified. The increase may be measured by either of the following:

(a) Heat input [J/in. (J/mm)]

$$= \frac{\text{Voltage} \times \text{Amperage} \times 60}{\text{Travel Speed [in./min (mm/min)]}}$$

(b) Volume of Weld Metal = an increase in bead size or a decrease in length of weld bead per unit length of electrode.

QW-410 Technique

QW-410.1 A change from the stringer bead technique to the weave bead technique, or vice versa.

QW-410.2 A change in the nature of the flame, oxidizing to reducing, or vice versa.

QW-410.3 A change in the orifice, cup, or nozzle size.

QW-410.4 A change in the welding technique, forehand to backhand, or vice versa.

QW-410.5 A change in the method of initial and interpass cleaning (brushing, grinding, etc.)

QW-410.6 A change in the method of back gouging.

QW-410.7 A change in width, frequency, or dwell time of oscillation, for machine or automatic welding only.

QW-410.8 A change in the contact tube to work distance.

QW-410.9 A change from multipass per side to single pass per side. This limitation does not apply when a WPS is qualified with a PWHT above the upper transformation temperature or when an austenitic material is solution annealed after welding.

QW-410.10 A change from single electrode to multiple electrode, or vice versa, for machine or automatic welding only. This limitation does not apply when a WPS is qualified with a PWHT above the upper transformation temperature or when an austenitic material is solution annealed after welding.

QW-410.11 A change from closed chamber to out-of-chamber conventional torch welding in P-No. 51 through P-No. 53 metals, but not vice versa.

QW-410.12 A change from the melt-in technique to the keyhole technique of welding, or vice versa, or the inclusion of both techniques though each has been individually qualified.

QW-410.14 A change in the angle of the axis of the beam relative to the workpiece.

QW-410.15 A change in the spacing of multiple electrodes for machine or automatic welding.

QW-410.17 A change in the type of the welding equipment.

QW-410.18 An increase in the absolute pressure of the vacuum welding environment beyond that qualified.

QW-410.19 Any change in filament type, size, or shape.

QW-410.20 The addition of a wash pass.

QW-410.21 A change of welding from one side to welding from both sides, or vice versa.

QW-410.22 A change in either of the following stud welding parameters: a change of stud gun model; a change in the lift more than $\pm 1/32$ in. (0.8 mm).

QW-410.25 A change from manual or semiautomatic to machine or automatic welding and vice versa.

QW-410.26 The addition or deletion of peening.

QW-410.27 A change in the rotational speed producing a change in the outside surface velocity [ft/min (m/min)] greater than $\pm 10\%$ of the outside surface velocity qualified.

QW-410.28 A change in the thrust load (lb) greater than $\pm 10\%$ of the thrust load qualified.

QW-410.29 A change in the rotational energy (lb-ft²) greater than $\pm 10\%$ of the rotational energy qualified.

QW-410.30 Any change in upset dimension (overall loss in length of parts being joined) greater than $\pm 10\%$ of the upset qualified.

QW-410.31 A change in the method of preparing the base metal prior to welding (e.g., changing from mechanical cleaning to chemical cleaning or to abrasive cleaning, or vice versa).

QW-410.32 A change of more than 10% in the holding pressure prior to or after welding. A change of more than 10% in the electrode holding time.

QW-410.33 A change from one welding type to another, or modification of equipment, including Manufacturer, control panel, model number, electrical rating or capacity, type of electrical energy source, or method of applying pressure.

QW-410.34 Addition or deletion of an electrode cooling medium and where it is used.

QW-410.35 A change in the distance between arms or a change in the throat depth.

QW-410.37 A change from single to multiple pass or vice versa.

QW-410.38 A change from multiple-layer to single layer cladding/hardsurfacing, or vice versa.

QW-410.39 A change in the torch type or tip size.

QW-410.40 For submerged-arc welding and electroslag welding, the deletion of a supplementary device for controlling the magnetic field acting on the weld puddle.

QW-410.41 A change of more than 15% in the travel speed range recorded on the PQR.

QW-410.42 The addition or elimination of oscillation of the plasma torch or filler wires; a change from simple harmonic to constant velocity oscillating motion or vice versa; a change of more than 10% in oscillation displacement recorded on the PQR; however, a procedure qualified using a minimum oscillation displacement and a procedure qualified using a maximum oscillation displacement shall qualify for all weld bead oscillations in between, with all other essential variables remaining the same.

QW-410.43 For the torch or workpiece, a change of more than 10% in the travel speed range qualified.

QW-410.44 A change of more than 15% in the spray-torch to workpiece distance qualified.

QW-410.45 A change in the method of surface preparation of the base metal to be hard-faced (example: sandblasting versus chemical cleaning).

QW-410.46 A change in the spray-torch model or tip orifice size.

QW-410.47 A change of more than 10% in the fusing temperature range qualified. A change in the rate of cooling from the fusing temperature of more than 50°F/hr (28°C/hr), a change in the fusing method (example: torch, furnace, induction).

QW-410.48 A change in the constricted arc from transferable to nontransferable or vice versa.

QW-410.49 A change in the diameter of the plasma torch-arc constricting orifice.

QW-410.50 A change in the number of electrodes acting on the same welding puddle.

QW-410.51 The addition or elimination of oscillation of the electrode or electrodes.

QW-410.52 A change in the method of delivering the filler metal to the molten pool, such as from the leading or trailing edge of the torch, the sides of the torch, or through the torch.

QW-410.53 A change of more than 20% in the center-to-center weld bead distance.

QW-416
WELDING VARIABLES
Welder Performance

Paragraph ¹	Brief of Variables	Essential					
		OFW QW-352	SMAW QW-353	SAW QW-354	GMAW ² QW-355	GTAW QW-356	PAW QW-357
QW-402 Joints	.4 - Backing		X		X	X	X
	.7 + Backing	X					
QW-403 Base Metal	.2 Maximum qualified	X					
	.16 ϕ Pipe diameter		X	X	X	X	X
	.18 ϕ P-Number	X	X	X	X	X	X
QW-404 Filler Metals	.14 \pm Filler	X				X	X
	.15 ϕ F-Number	X	X	X	X	X	X
	.22 \pm Inserts					X	X
	.23 Solid or metal-cored to flux-cored					X	X
	.30 ϕ t Weld deposit		X	X	X	X	X
	.31 ϕ t Weld deposit	X					
	.32 t Limit (s. cir. arc)				X		
QW-405 Positions	.1 + Position	X	X	X	X	X	X
	.3 ϕ \uparrow \downarrow Vert. welding		X		X	X	X
QW-408 Gas	.7 ϕ Type fuel gas	X					
	.8 - Inert backing				X	X	X
QW-409 Electrical	.2 ϕ Transfer mode				X		
	.4 ϕ Current or polarity					X	

Welding Processes:

OFW	Oxyfuel gas welding
SMAW	Shielded metal-arc welding
SAW	Submerged-arc welding
GMAW	Gas metal-arc welding
GTAW	Gas tungsten-arc welding
PAW	Plasma-arc welding

Legend:

ϕ Change	t Thickness
+ Addition	\uparrow Uphill
- Deletion	\downarrow Downhill

NOTES:

(1) For description, see Section IV.

(2) Flux-cored arc welding as shown in QW-355, with or without additional shielding from an externally supplied gas or gas mixture, is included.

QW-420 Material Groupings

QW-420.1 P-Numbers. To reduce the number of welding and brazing procedure qualifications required, base metals have been assigned P-Numbers, and for ferrous base metals which have specified impact test requirements, Group Numbers within P-Numbers. These assignments are based essentially on comparable base metal characteristics, such as composition, weldability, brazeability, and mechanical properties, where this can logically be done. These assignments do not imply that base metals may be indiscriminately substituted for a base metal which was used in the qualification test without consideration of compatibility from the standpoint of metallurgical properties, postweld heat treatment, design, mechanical properties, and service requirements. Where notch toughness is a consideration, it is presupposed that the base metals meet the specific requirements.

Base Metal	Welding	Brazing
Steel and steel alloys	P-No. 1 through P-No. 11 incl. P-No. 5A, 5B, and 5C	P-No. 101 through P-No. 103
Aluminum and aluminum-base alloys	P-No. 21 through P-No. 25	P-No. 104 and P-No. 105
Copper and copper-base alloys	P-No. 31 through P-No. 35	P-No. 107 and P-No. 108
Nickel and nickel-base alloys	P-No. 41 through P-No. 47	P-No. 110 through P-No. 112
Titanium and titanium-base alloys	P-No. 51 through P-No. 53	P-No. 115
Zirconium and zirconium-base alloys	P-No. 61 through P-No. 62	P-No. 117

When a base metal with a UNS number designation is assigned a P-Number or P-Number plus Group Number, then a base metal listed in a different ASME material specification with the same UNS number shall be considered that P-Number or P-Number plus Group Number. For example, SB-163, UNS N08800 is P-Number 45; therefore, all ASME specifications listing a base metal with the UNS N08800 designation shall be considered P-Number 45 (i.e., SB-407, SB-408, SB-514, etc.) whether or not these specifications are listed in QW/QB-422. Since a minimum tensile value is required for procedure qualification, only base metals listed in QW/QB-422 may be used for test coupons as defined in QW-424.

In those instances where materials in the 1971 Edition of this Section have been given different P-Numbers or assigned to Subgroups within a P-Number in the 1974 Edition of this Section, those procedure and

performance qualifications will continue to be valid based on the new P-Number designation.

In the column heading "Minimum Specified Tensile, ksi" of QW/QB-422, the values given are those of the base metal specification, except as otherwise identified in QW-153 or QB-153. These are also the acceptance values for the room temperature tensile tests of the welding or brazing procedure qualification, except as otherwise allowed in QW-153 or QB-153.

QW-420.2 S-Numbers (Non-Mandatory). S-Numbers are a listing of materials which are acceptable for use by the ASME B31 Code for Pressure Piping, or by selected Boiler and Pressure Vessel Code Cases, but which are not included within ASME Boiler and Pressure Vessel Code Material Specifications (Section II). These materials are grouped in S-Number or S-Number plus Group Number groupings similar to the P-Number groupings. There is no mandatory requirement that S-Numbers be used.

Brazing or Welding Procedure Qualification with a base metal in one P-Number (or P-Number plus Group Number) or one S-Number (or S-Number plus Group Number), qualifies for all other base metals in the same S-Number grouping. Also, qualification with a base metal in one S-Number, or S-Number plus Group Number, qualifies for all other base metals in the same S-Number grouping. Qualifications for S-Number materials do not qualify corresponding P-Number materials. Base metals not assigned an S-Number or a P-Number shall require individual procedure qualification.

Material produced under an ASTM specification shall be considered to have the same S-Number or S-Number plus Group Number as that of the P-Number or P-Number plus Group Number assigned to the same grade or type material in the corresponding ASME specification (i.e., SA-240 Type 304 is assigned P-Number 8, Group Number 1; therefore, A 240 Type 304 is considered S-Number 8, Group Number 1). Additionally, when a base metal with a UNS number designation is assigned an S-Number or S-Number plus Group Number, then a base metal listed in a different material specification with the same UNS number shall be considered that S-Number or S-Number plus Group Number. Since a minimum tensile value is required for procedure qualification, only base metals listed in QW/QB-422 may be used for test coupons.

For Performance Qualification of brazers, welders, brazing operators, and welding operators, the requirements for P-Numbers of base metals shall also be applied to the same S-Numbers of base metals. Qualification with P-Numbers in accordance with QB-310.3 and QW-403.18 qualifies for corresponding S-Numbers and vice versa.

QW/QB-422 FERROUS P-NUMBERS AND S-NUMBERS
Grouping of Base Metals for Qualification

GENERAL NOTE: To convert from ksi to MPa, multiply tensile strength in table by 6.9.

Spec. No.	Type or Grade	UNS No.	Minimum Specified Tensile, ksi	Welding			Brazing		Nominal Composition	Product Form	
				P-Group No.	S-Group No.	Group No.	P-Group No.	S-Group No.			
SA-36	...	K02600	58	1	1	101	...	C-Mn-Si	Plate, bar, & shapes
SA-53	Type F	...	48	1	1	101	...	C	Furnace welded pipe
SA-53	Type S, Gr. A	K02504	48	1	1	101	...	C	Smls. pipe
SA-53	Type E, Gr. A	K02504	48	1	1	101	...	C	Resistance welded pipe
SA-53	Type E, Gr. B	K03005	60	1	1	101	...	C-Mn	Resistance welded pipe
SA-53	Type S, Gr. B	K03005	60	1	1	101	...	C-Mn	Smls. pipe
SA-105	...	K03504	70	1	2	101	...	C-Si	Flanges & fittings
SA-106	A	K02501	48	1	1	101	...	C-Si	Smls. pipe
SA-106	B	K03006	60	1	1	101	...	C-Si	Smls. pipe
SA-106	C	K03501	70	1	2	101	...	C-Si	Smls. pipe
A 108	1015 CW	G10150	60	1	101	C	Bar
A 108	1018 CW	G10180	60	1	101	C	Bar
A 108	1020 CW	G10200	60	1	101	C	Bar
SA-134	SA283 Gr. A	...	45	1	1	101	...	C	Welded pipe
SA-134	SA283 Gr. B	...	50	1	1	101	...	C	Welded pipe
SA-134	SA283 Gr. C	K02401	55	1	1	101	...	C	Welded pipe
SA-134	SA283 Gr. D	K02702	60	1	1	101	...	C	Welded pipe
SA-134	SA285 Gr. A	K01700	45	1	1	101	...	C	Welded pipe
SA-134	SA285 Gr. B	K02200	50	1	1	101	...	C	Welded pipe
SA-134	SA285 Gr. C	K02801	55	1	1	101	...	C	Welded pipe
SA-135	A	...	48	1	1	101	...	C	E.R.W. pipe
SA-135	B	...	60	1	1	101	...	C	E.R.W. pipe
A 139	A	...	48	1	101	C	Welded pipe
A 139	B	K03003	60	1	101	C	Welded pipe
A 139	C	K03004	60	1	101	C	Welded pipe
A 139	D	K03010	60	1	101	C	Welded pipe
A 139	E	K03012	66	1	101	C	Welded pipe
A 148	90-60	...	90	4	103	...	Castings

WELDING DATA

QW/QB-422

QW/QB-422 FERROUS P-NUMBERS AND S-NUMBERS
Grouping of Base Metals for Qualification

GENERAL NOTE: To convert from ksi to MPa, multiply tensile strength in table by 6.9.

Spec. No.	Type or Grade	UNS No.	Minimum Specified Tensile, ksi	Welding				Brazing		Nominal Composition	Product Form
				P- No.	Group No.	S- No.	Group No.	P- No.	S- No.		
A 167	Type 301	S30100	75	8	1	...	102	17Cr-7Ni	Plate, sheet, & strip
A 167	Type 302	S30200	75	8	1	...	102	18Cr-8Ni	Plate, sheet, & strip
A 167	Type 302B	S30215	75	8	1	...	102	18Cr-8Ni-2Si	Plate, sheet, & strip
A 167	Type 304	S30400	75	8	1	...	102	18Cr-8Ni	Plate, sheet, & strip
A 167	Type 304L	S30403	70	8	1	...	102	18Cr-8Ni	Plate, sheet, & strip
A 167	Type 305	S30500	70	8	1	...	102	18Cr-11Ni	Plate, sheet, & strip
A 167	Type 308	S30800	75	8	2	...	102	20Cr-10Ni	Plate, sheet, & strip
A 167	Type 309	S30900	75	8	2	...	102	23Cr-12Ni	Plate, sheet, & strip
A 167	Type 309S	S30908	75	8	2	...	102	23Cr-12Ni	Plate, sheet, & strip
A 167	Type 310	S31000	75	8	2	...	102	25Cr-20Ni	Plate, sheet, & strip
A 167	Type 310S	S31008	75	8	2	...	102	25Cr-20Ni	Plate, sheet, & strip
A 167	Type 316L	S31603	70	8	1	...	102	16Cr-12Ni-2Mo	Plate, sheet, & strip
A 167	Type 317	S31700	75	8	1	...	102	18Cr-13Ni-3Mo	Plate, sheet, & strip
A 167	Type 317L	S31703	75	8	1	...	102	18Cr-13Ni-3Mo	Plate, sheet, & strip
A 167	Type 321	S32100	75	8	1	...	102	18Cr-10Ni-Ti	Plate, sheet, & strip
A 167	Type 347	S34700	75	8	1	...	102	18Cr-10Ni-Cb	Plate, sheet, & strip
A 167	Type 348	S34800	75	8	1	...	102	18Cr-10Ni-Cb	Plate, sheet, & strip
SA-178	A	K01200	47	1	1	101	...	C	E.R.W. tube
SA-178	C	K03503	60	1	1	101	...	C	E.R.W. tube
SA-178	D	...	70	1	2	101	...	C-Mn-Si	E.R.W. tube
SA-179	...	K01200	47	1	1	101	...	C	Smls. tube
SA-181	Cl. 60	K03502	60	1	1	101	...	C-Si	Pipe flange & fittings
SA-181	Cl. 70	K03502	70	1	2	101	...	C-Si	Pipe flange & fittings
SA-182	F12, Cl. 1	K11562	60	4	1	102	...	1Cr-0.5Mo	Forgings
SA-182	F12, Cl. 2	K11564	70	4	1	102	...	1Cr-0.5Mo	Forgings
SA-182	F11, Cl. 2	K11572	70	4	1	102	...	1.25Cr-0.5Mo-Si	Forgings
SA-182	F11, Cl. 3	K11572	75	4	1	102	...	1.25Cr-0.5Mo-Si	Forgings
SA-182	F11, Cl. 1	K11597	60	4	1	102	...	1.25Cr-0.5Mo-Si	Forgings

QW/QB-422 FERROUS P-NUMBERS AND S-NUMBERS
Grouping of Base Metals for Qualification

GENERAL NOTE: To convert from ksi to MPa, multiply tensile strength in table by 6.9.

Spec. No.	Type or Grade	UNS No.	Minimum Specified Tensile, ksi	Welding				Brazing		Nominal Composition	Product Form
				P-Group No.	S-Group No.	Group No.	P-No.	S-No.			
SA-182	F2	K12122	70	3	2	101	...	0.5Cr-0.5Mo	Forgings
SA-182	F1	K12822	70	3	2	101	...	C-0.5Mo	Forgings
SA-182	F22, Cl. 1	K21590	60	5A	1	102	...	2.25Cr-1Mo	Forgings
SA-182	F22, Cl. 3	K21590	75	5A	1	102	...	2.25Cr-1Mo	Forgings
SA-182	FR	K22035	63	9A	1	101	...	2Ni-1Cu	Forgings
SA-182	F21	K31545	75	5A	1	102	...	3Cr-1Mo	Forgings
SA-182	F3V	K31830	85	5C	1	102	...	3Cr-1Mo-V-Ti-B	Forgings
SA-182	F22V	K31835	85	5C	1	102	...	2.25Cr-1Mo-V	Forgings
SA-182	F5	K41545	70	5B	1	102	...	5Cr-0.5Mo	Forgings
SA-182	F5a	K42544	90	5B	1	102	...	5Cr-0.5Mo	Forgings
SA-182	F9	K90941	85	5B	1	102	...	9Cr-1Mo	Forgings
SA-182	F91	K90901	85	5B	2	102	...	9Cr-1Mo-V	Forgings
SA-182	F6a, Cl. 1	K91151	70	6	1	102	...	13Cr	Forgings
SA-182	F6a, Cl. 2	K91151	85	6	3	102	...	13Cr	Forgings
SA-182	FXM-19	S20910	100	8	3	102	...	22Cr-13Ni-5Mn	Forgings
SA-182	FXM-11	S21904	90	8	3	102	...	21Cr-6Ni-9Mn	Forgings
SA-182	F304	S30400	70	8	1	102	...	18Cr-8Ni	Forgings > 5 in. (127 mm)
SA-182	F304	S30400	75	8	1	102	...	18Cr-8Ni	Forgings
SA-182	F304L	S30403	65	8	1	102	...	18Cr-8Ni	Forgings > 5 in. (127 mm)
SA-182	F304L	S30403	70	8	1	102	...	18Cr-8Ni	Forgings
SA-182	F304H	S30409	70	8	1	102	...	18Cr-8Ni	Forgings > 5 in. (127 mm)
SA-182	F304H	S30409	75	8	1	102	...	18Cr-8Ni	Forgings
SA-182	F304N	S30451	80	8	1	102	...	18Cr-8Ni-N	Forgings
SA-182	F304LN	S30453	70	8	1	102	...	18Cr-8Ni-N	Forgings > 5 in. (127 mm)
SA-182	F304LN	S30453	75	8	1	102	...	18Cr-8Ni-N	Forgings
SA-182	F46	S30600	78	8	1	102	...	18Cr-15Ni-4Si	Forgings
SA-182	F45	S30815	87	8	2	102	...	21Cr-11Ni-N	Forgings
SA-182	F310	S31000	70	8	2	102	...	25Cr-20Ni	Forgings > 5 in. (127 mm)
SA-182	F310	S31000	75	8	2	102	...	25Cr-20Ni	Forgings
SA-182	F50	S31200	100	10H	1	102	...	25Cr-6Ni-Mo-N	Forgings
SA-182	F44	S31254	94	8	4	102	...	20Cr-18Ni-6Mo	Forgings
SA-182	F316	S31600	70	8	1	102	...	16Cr-12Ni-2Mo	Forgings > 5 in. (127 mm)

WELDING DATA

QW/QB-422

QW/QB-422 FERROUS P-NUMBERS AND S-NUMBERS
Grouping of Base Metals for Qualification

GENERAL NOTE: To convert from ksi to MPa, multiply tensile strength in table by 6.9.

Spec. No.	Type or Grade	UNS No.	Minimum Specified Tensile, ksi	Welding				Brazing		Nominal Composition	Product Form
				P- No.	Group No.	S- No.	Group No.	P- No.	S- No.		
SA-182	F316	S31600	75	8	1	102	...	16Cr-12Ni-2Mo	Forgings > 5 in. (127 mm)
SA-182	F316L	S31603	65	8	1	102	...	16Cr-12Ni-2Mo	Forgings
SA-182	F316L	S31603	70	8	1	102	...	16Cr-12Ni-2Mo	Forgings > 5 in. (127 mm)
SA-182	F316H	S31609	70	8	1	102	...	16Cr-12Ni-2Mo	Forgings
SA-182	F316H	S31609	75	8	1	102	...	16Cr-12Ni-2Mo	Forgings
SA-182	F316N	S31651	80	8	1	102	...	16Cr-12Ni-2Mo-N	Forgings
SA-182	F316LN	S31653	70	8	1	102	...	16Cr-12Ni-2Mo-N	Forgings > 5 in. (127 mm)
SA-182	F316LN	S31653	75	8	1	102	...	16Cr-12Ni-2Mo-N	Forgings
SA-182	F317	S31700	70	8	1	102	...	18Cr-13Ni-3Mo	Forgings > 5 in. (127 mm)
SA-182	F317	S31700	75	8	1	102	...	18Cr-13Ni-3Mo	Forgings
SA-182	F317L	S31703	65	8	1	102	...	18Cr-13Ni-3Mo	Forgings > 5 in. (127 mm)
SA-182	F317L	S31703	70	8	1	102	...	18Cr-13Ni-3Mo	Forgings
SA-182	F51	S31803	90	10H	1	102	...	22Cr-5Ni-3Mo-N	Forgings
SA-182	F321	S32100	70	8	1	102	...	18Cr-10Ni-Ti	Forgings > 5 in. (127 mm)
SA-182	F321	S32100	75	8	1	102	...	18Cr-10Ni-Ti	Forgings
SA-182	F321H	S32109	70	8	1	102	...	18Cr-10Ni-Ti	Forgings > 5 in. (127 mm)
SA-182	F321H	S32109	75	8	1	102	...	18Cr-10Ni-Ti	Forgings
SA-182	F55	S32760	109	10H	1	...	102	25Cr-8Ni-3Mo-W-Cu-N	Forgings
SA-182	F10	S33100	80	8	2	102	...	20Ni-8Cr	Forgings
SA-182	F347	S34700	70	8	1	102	...	18Cr-10Ni-Cb	Forgings > 5 in. (127 mm)
SA-182	F347	S34700	75	8	1	102	...	18Cr-10Ni-Cb	Forgings
SA-182	F347H	S34709	70	8	1	102	...	18Cr-10Ni-Cb	Forgings > 5 in. (127 mm)
SA-182	F347H	S34709	75	8	1	102	...	18Cr-10Ni-Cb	Forgings
SA-182	F348	S34800	70	8	1	102	...	18Cr-10Ni-Cb	Forgings > 5 in. (127 mm)
SA-182	F348	S34800	75	8	1	102	...	18Cr-10Ni-Cb	Forgings
SA-182	F348H	S34809	70	8	1	102	...	18Cr-10Ni-Cb	Forgings > 5 in. (127 mm)
SA-182	F348H	S34809	75	8	1	102	...	18Cr-10Ni-Cb	Forgings
SA-182	F6b	S41026	110	6	3	102	...	13Cr-0.5Mo	Forgings
SA-182	F6NM	S41500	115	6	4	102	...	13Cr-4.5Ni-Mo	Forgings
SA-182	F429	S42900	60	6	2	102	...	15Cr	Forgings
SA-182	F430	S43000	60	7	2	102	...	17Cr	Forgings

QW/QB-422 FERROUS P-NUMBERS AND S-NUMBERS
Grouping of Base Metals for Qualification

GENERAL NOTE: To convert from ksi to MPa, multiply tensile strength in table by 6.9.

Spec. No.	Type or Grade	UNS No.	Minimum Specified Tensile, ksi	Welding			Brazing		Nominal Composition	Product Form
				P-Group No.	S-Group No.	Group No.	P-No.	S-No.		
SA-182	FXM-27Cb	S44627	60	101	1	...	102	...	27Cr-1Mo	Forgings
A 182	F6a, Cl. 3	S41000	110	6	...	102	13Cr	Forgings
A 182	F6a, Cl. 4	S41000	130	6	...	102	13Cr	Forgings
SA-192	...	K01201	47	1	1	...	101	...	C-Si	Smls. tube
SA-199	T11	K11597	60	4	1	...	102	...	1.25Cr-0.5Mo-Si	Smls. tube
SA-199	T22	K21590	60	5A	1	...	102	...	2.25Cr-1Mo	Smls. tube
SA-199	T4	K31509	60	5A	1	...	102	...	2.25Cr-0.5Mo-0.75Si	Smls. tube
SA-199	T21	K31545	60	5A	1	...	102	...	3Cr-1Mo	Smls. tube
SA-199	T5	K41545	60	5B	1	...	102	...	5Cr-0.5Mo	Smls. tube
SA-199	T9	K90941	60	5B	1	...	102	...	9Cr-1Mo	Smls. tube
SA-199	T91	K90901	85	5B	2	...	102	...	9Cr-1Mo-V	Smls. tube
SA-202	A	K11742	75	4	1	...	101	...	0.5Cr-1.25Mn-Si	Plate
SA-202	B	K12542	85	4	1	...	101	...	0.5Cr-1.25Mn-Si	Plate
SA-203	A	K21703	65	9A	1	...	101	...	2.5Ni	Plate
SA-203	B	K22103	70	9A	1	...	101	...	2.5Ni	Plate
SA-203	D	K31718	65	9B	1	...	101	...	3.5Ni	Plate
SA-203	E	K32018	70	9B	1	...	101	...	3.5Ni	Plate
SA-203	F	K32018	75	9B	1	...	101	...	3.5Ni	Plate > 2 in. (51 mm)
SA-203	F	K32018	80	9B	1	...	101	...	3.5Ni	Plate, 2 in. (51 mm) & under
SA-204	A	K11820	65	3	1	...	101	...	C-0.5Mo	Plate
SA-204	B	K12020	70	3	2	...	101	...	C-0.5Mo	Plate
SA-204	C	K12320	75	3	2	...	101	...	C-0.5Mo	Plate
SA-209	T1b	K11422	53	3	1	...	101	...	C-0.5Mo	Smls. tube
SA-209	T1	K11522	55	3	1	...	101	...	C-0.5Mo	Smls. tube
SA-209	T1a	K12023	60	3	1	...	101	...	C-0.5Mo	Smls. tube
SA-210	A-1	K02707	60	1	1	...	101	...	C-Si	Smls. tube
SA-210	C	K03501	70	1	2	...	101	...	C-Mn-Si	Smls. tube

WELDING DATA

QW/QB-422

QW/QB-422 FERROUS P-NUMBERS AND S-NUMBERS
Grouping of Base Metals for Qualification

GENERAL NOTE: To convert from ksi to MPa, multiply tensile strength in table by 6.9.

Spec. No.	Type or Grade	UNS No.	Minimum Specified Tensile, ksi	Welding				Brazing		Nominal Composition	Product Form
				P-Group No.	S-Group No.	Group No.	P-No.	S-No.			
A 211	A570-30	K02502	49	1	101	C	Welded pipe
A 211	A570-33	K02502	52	1	101	C	Welded pipe
A 211	A570-40	K02502	55	1	101	C	Welded pipe
SA-213	T2	K11547	60	3	1	101	...	0.5Cr-0.5Mo	Smls. tube
SA-213	T12	K11562	60	4	1	102	...	1Cr-0.5Mo	Smls. tube
SA-213	T11	K11597	60	4	1	102	...	1.25Cr-0.5Mo-Si	Smls. tube
SA-213	T17	K12047	60	10B	1	102	...	1Cr-V	Smls. tube
SA-213	T22	K21590	60	5A	1	102	...	2.25Cr-1Mo	Smls. tube
SA-213	T21	K31545	60	5A	1	102	...	3Cr-1Mo	Smls. tube
SA-213	T5c	K41245	60	5B	1	102	...	5Cr-0.5Mo-Ti	Smls. tube
SA-213	T5	K41545	60	5B	1	102	...	5Cr-0.5Mo	Smls. tube
SA-213	T5b	K51545	60	5B	1	102	...	5Cr-0.5Mo-Si	Smls. tube
SA-213	T9	K90941	60	5B	1	102	...	9Cr-1Mo	Smls. tube
SA-213	T91	K90901	85	5B	2	102	...	9Cr-1Mo-V	Smls. tube
SA-213	TP201	S20100	95	8	3	102	...	17Cr-4Ni-6Mn	Smls. tube
SA-213	TP202	S20200	90	8	3	102	...	18Cr-5Ni-9Mn	Smls. tube
SA-213	XM-19	S20910	100	8	3	102	...	22Cr-13Ni-5Mn	Smls. tube
SA-213	TP304	S30400	75	8	1	102	...	18Cr-8Ni	Smls. tube
SA-213	TP304L	S30403	70	8	1	102	...	18Cr-8Ni	Smls. tube
SA-213	TP304H	S30409	75	8	1	102	...	18Cr-8Ni	Smls. tube
SA-213	TP304N	S30451	80	8	1	102	...	18Cr-8Ni-N	Smls. tube
SA-213	TP304LN	S30453	75	8	1	102	...	18Cr-8Ni-N	Smls. tube
SA-213	S30815	S30815	87	8	2	102	...	21Cr-11Ni-N	Smls. tube
SA-213	TP309S	S30908	75	8	2	102	...	23Cr-12Ni	Smls. tube
SA-213	TP309H	S30909	75	8	2	102	...	23Cr-12Ni	Smls. tube
SA-213	TP309Cb	S30940	75	8	2	102	...	23Cr-12Ni-Cb	Smls. tube
SA-213	TP309HCb	S30941	75	8	2	102	...	23Cr-12Ni-Cb	Smls. tube
SA-213	TP310S	S31008	75	8	2	102	...	25Cr-20Ni	Smls. tube
SA-213	TP310H	S31009	75	8	2	102	...	25Cr-20Ni	Smls. tube
SA-213	TP310Cb	S31040	75	8	2	102	...	25Cr-20Ni-Cb	Smls. tube
SA-213	TP310HCb	S31041	75	8	2	102	...	25Cr-20Ni-Cb	Smls. tube

QW/QB-422 FERROUS P-NUMBERS AND S-NUMBERS
Grouping of Base Metals for Qualification

GENERAL NOTE: To convert from ksi to MPa, multiply tensile strength in table by 6.9.

Spec. No.	Type or Grade	UNS No.	Minimum Specified Tensile, ksi	Welding			Brazing		Nominal Composition	Product Form
				P-Group No.	S-Group No.	Group No.	P-No.	S-No.		
SA-213	TP310MoLN	S31050	78	8	2	...	102	...	25Cr-22Ni-2Mo-N	Smls. tube, $t > 1/4$ in. (6 mm)
SA-213	TP310MoLN	S31050	84	8	2	...	102	...	25Cr-22Ni-2Mo-N	Smls. tube, $t \leq 1/4$ in. (6 mm)
SA-213	TP316	S31600	75	8	1	...	102	...	16Cr-12Ni-2Mo	Smls. tube
SA-213	TP316L	S31603	70	8	1	...	102	...	16Cr-12Ni-2Mo	Smls. tube
SA-213	TP316H	S31609	75	8	1	...	102	...	16Cr-12Ni-2Mo	Smls. tube
SA-213	TP316N	S31651	80	8	1	...	102	...	16Cr-12Ni-2Mo-N	Smls. tube
SA-213	TP316LN	S31653	75	8	1	...	102	...	16Cr-12Ni-2Mo-N	Smls. tube
SA-213	S31725	S31725	75	8	4	...	102	...	19Cr-15Ni-4Mo	Smls. tube
SA-213	S31726	S31726	80	8	4	...	102	...	19Cr-15.5Ni-4Mo	Smls. tube
SA-213	TP321	S32100	75	8	1	...	102	...	18Cr-10Ni-Ti	Smls. tube
SA-213	TP321H	S32109	75	8	1	...	102	...	18Cr-10Ni-Ti	Smls. tube
SA-213	TP347	S34700	75	8	1	...	102	...	18Cr-10Ni-Cb	Smls. tube
SA-213	TP347H	S34709	75	8	1	...	102	...	18Cr-10Ni-Cb	Smls. tube
SA-213	TP348	S34800	75	8	1	...	102	...	18Cr-10Ni-Cb	Smls. tube
SA-213	TP348H	S34809	75	8	1	...	102	...	18Cr-10Ni-Cb	Smls. tube
SA-213	XM-15	S38100	75	8	1	...	102	...	18Cr-18Ni-2Si	Smls. tube
SA-214	...	K01807	47	1	1	...	101	...	C	E.R.W. tube
SA-216	WCA	J02502	60	1	1	...	101	...	C-Si	Castings
SA-216	WCC	J02503	70	1	2	...	101	...	C-Mn-Si	Castings
SA-216	WCB	J03002	70	1	2	...	101	...	C-Si	Castings
SA-217	WC6	J12072	70	4	1	...	102	...	1.25Cr-0.5Mo	Castings
SA-217	WC4	J12082	70	4	1	...	101	...	1Ni-0.5Cr-0.5Mo	Castings
SA-217	WC1	J12524	65	3	1	...	101	...	C-0.5Mo	Castings
SA-217	WC9	J21890	70	5A	1	...	102	...	2.25Cr-1Mo	Castings
SA-217	WC5	J22000	70	4	1	...	101	...	0.75Ni-1Mo-0.75Cr	Castings
SA-217	C5	J42045	90	5B	1	...	102	...	5Cr-0.5Mo	Castings
SA-217	C12	J82090	90	5B	1	...	102	...	9Cr-1Mo	Castings
SA-217	CA15	J91150	90	6	3	...	102	...	13Cr	Castings
SA-225	D	K12004	75	10A	1	...	101	...	Mn-0.5Ni-V	Plate > 3 in. (76 mm)

WELDING DATA

QW/QB-422

QW/QB-422 FERROUS P-NUMBERS AND S-NUMBERS
Grouping of Base Metals for Qualification

GENERAL NOTE: To convert from ksi to MPa, multiply tensile strength in table by 6.9.

Spec. No.	Type or Grade	UNS No.	Minimum Specified Tensile, ksi	Welding		Brazing		Nominal Composition	Product Form	
				P-Group No.	S-Group No.	P-Group No.	S-Group No.			
SA-225	D	K12004	80	10A	1	...	101	...	Mn-0.5Ni-V	Plate, 3 in. (76 mm) & under
SA-225	C	K12524	105	10A	1	...	101	...	Mn-0.5Ni-V	Plate
SA-226	...	K01201	47	1	1	...	101	...	C-Si	E.R.W. tube
SA-234	WPB	K03006	60	1	1	...	101	...	C-Si	Piping fitting
SA-234	WPC	K03501	70	1	2	...	101	...	C-Si	Piping fitting
SA-234	WP11, Cl. 1	...	60	4	1	...	102	...	1.25Cr-0.5Mo-Si	Piping fitting
SA-234	WP12, Cl. 1	K12062	60	4	1	...	101	...	1Cr-0.5Mo	Piping fitting
SA-234	WP1	K12821	55	3	1	...	101	...	C-0.5Mo	Piping fitting
SA-234	WP22, Cl. 1	K21590	60	5A	1	...	102	...	2.25Cr-1Mo	Piping fitting
SA-234	WPR	K22035	63	9A	1	...	101	...	2Ni-1Cu	Piping fitting
SA-234	WP5	K41545	60	5B	1	...	102	...	5Cr-0.5Mo	Piping fitting
SA-234	WP9	K90941	60	5B	1	...	102	...	9Cr-1Mo	Piping fitting
SA-234	WP91	K90901	85	5B	2	...	102	...	9Cr-1Mo-V	Piping fitting
SA-240	Type 201	S20100	95	8	3	...	102	...	17Cr-4Ni-6Mn	Plate, sheet, & strip
SA-240	Type 202	S20200	90	8	3	...	102	...	18Cr-5Ni-9Mn	Plate, sheet, & strip
SA-240	...	S20400	95	8	3	...	102	...	16Cr-9Mn-2Ni-N	Plate, sheet, & strip
SA-240	Type XM-19	S20910	100	8	3	...	102	...	22Cr-13Ni-5Mn	Plate
SA-240	Type XM-19	S20910	105	8	3	...	102	...	22Cr-13Ni-5Mn	Sheet & strip
SA-240	Type XM-17	S21600	90	8	3	...	102	...	19Cr-8Mn-6Ni-Mo-N	Plate
SA-240	Type XM-17	S21600	100	8	3	...	102	...	19Cr-8Mn-6Ni-Mo-N	Sheet & strip
SA-240	Type XM-18	S21603	90	8	3	...	102	...	19Cr-8Mn-6Ni-Mo-N	Plate
SA-240	Type XM-18	S21603	100	8	3	...	102	...	19Cr-8Mn-6Ni-Mo-N	Sheet & strip
SA-240	S21800	S21800	95	8	3	...	102	...	18Cr-8Ni-4Si-N	Plate, sheet, & strip
SA-240	Type XM-29	S24000	100	8	3	...	102	...	18Cr-3Ni-12Mn	Plate, sheet, & strip
SA-240	Type 302	S30200	75	8	1	...	102	...	18Cr-8Ni	Plate, sheet, & strip
SA-240	Type 304	S30400	75	8	1	...	102	...	18Cr-8Ni	Plate, sheet, & strip
SA-240	Type 304L	S30403	70	8	1	...	102	...	18Cr-8Ni	Plate, sheet, & strip
SA-240	Type 304H	S30409	75	8	1	...	102	...	18Cr-8Ni	Plate, sheet, & strip
SA-240	Type 304N	S30451	80	8	1	...	102	...	18Cr-8Ni-N	Plate, sheet, & strip
SA-240	Type XM-21	S30452	85	8	1	...	102	...	18Cr-8Ni-N	Plate
SA-240	Type XM-21	S30452	90	8	1	...	102	...	18Cr-8Ni-N	Sheet & strip
SA-240	Type 304LN	S30453	75	8	1	...	102	...	18Cr-8Ni-N	Plate, sheet, & strip

WELDING DATA

QW/QB-422

QW/QB-422 FERROUS P-NUMBERS AND S-NUMBERS
Grouping of Base Metals for Qualification

GENERAL NOTE: To convert from ksi to MPa, multiply tensile strength in table by 6.9.

Spec. No.	Type or Grade	UNS No.	Minimum Specified Tensile, ksi	Welding				Brazing		Nominal Composition	Product Form
				P. No.	Group No.	S- No.	Group No.	P- No.	S- No.		
SA-240	Type 305	S30500	70	8	1	102	...	18Cr-11Ni	Plate, sheet, & strip
SA-240	S30600	S30600	78	8	1	102	...	18Cr-15Ni-4Si	Plate, sheet, & strip
SA-240	S30815	S30815	87	8	2	102	...	21Cr-11Ni-N	Plate, sheet, & strip
SA-240	Type 309S	S30908	75	8	2	102	...	23Cr-12Ni	Plate, sheet, & strip
SA-240	Type 309H	S30909	75	8	2	102	...	23Cr-12Ni	Plate, sheet, & strip
SA-240	Type 309Cb	S30940	75	8	2	102	...	23Cr-12Ni-Cb	Plate, sheet, & strip
SA-240	Type 309HCb	S30941	75	8	2	102	...	23Cr-12Ni-Cb	Plate, sheet, & strip
SA-240	Type 310S	S31008	75	8	2	102	...	25Cr-20Ni	Plate, sheet, & strip
SA-240	Type 310H	S31009	75	8	2	102	...	20Cr-20Ni	Plate, sheet, & strip
SA-240	Type 310Cb	S31040	75	8	2	102	...	25Cr-20Ni-Cb	Plate, sheet, & strip
SA-240	Type 310HCb	S31041	75	8	2	102	...	25Cr-20Ni-Cb	Plate, sheet, & strip
SA-240	Type 310MoLN	S31050	80	8	2	102	...	25Cr-22Ni-2Mo-N	Plate, sheet, & strip
SA-240	S31200	S31200	100	10H	1	102	...	25Cr-6Ni-Mo-N	Plate, sheet, & strip
SA-240	S31254	S31254	94	8	4	102	...	20Cr-18Ni-6Mo	Plate, sheet, & strip
SA-240	S31260	S31260	100	10H	1	102	...	25Cr-6.5Ni-3Mo-N	Plate, sheet, & strip
SA-240	Type 316	S31600	75	8	1	102	...	16Cr-12Ni-2Mo	Plate, sheet, & strip
SA-240	Type 316L	S31603	70	8	1	102	...	16Cr-12Ni-2Mo	Plate, sheet, & strip
SA-240	Type 316H	S31609	75	8	1	102	...	16Cr-12Ni-2Mo	Plate, sheet, & strip
SA-240	Type 316Ti	S31635	75	8	1	102	...	16Cr-12Ni-2Mo-Ti	Plate, sheet, & strip
SA-240	Type 316Cb	S31640	75	8	1	102	...	16Cr-12Ni-2Mo-Cb	Plate, sheet, & strip
SA-240	Type 316N	S31651	80	8	1	102	...	16Cr-12Ni-2Mo-N	Plate, sheet, & strip
SA-240	Type 316LN	S31653	75	8	1	102	...	16Cr-12Ni-2Mo-N	Plate, sheet, & strip
SA-240	Type 317	S31700	75	8	1	102	...	18Cr-13Ni-3Mo	Plate, sheet, & strip
SA-240	Type 317L	S31703	75	8	1	102	...	18Cr-13Ni-3Mo	Plate, sheet, & strip
SA-240	S31725	S31725	75	8	4	102	...	19Cr-15Ni-4Mo	Plate, sheet, & strip
SA-240	S31726	S31726	80	8	4	102	...	19Cr-15.5Ni-4Mo	Plate, sheet, & strip
SA-240	S31753	S31753	80	8	1	102	...	18Cr-13Ni-3Mo-N	Plate, sheet, & strip
SA-240	S31803	S31803	90	10H	1	22Cr-5Ni-3Mo-N	Plate, sheet, & strip
SA-240	Type 321	S32100	75	8	1	102	...	18Cr-10Ni-Ti	Plate, sheet, & strip
SA-240	Type 321H	S32109	75	8	1	102	...	18Cr-10Ni-Ti	Plate, sheet, & strip
SA-240	S32550	S32550	110	10H	1	102	...	25Cr-5Ni-3Mo-2Cu	Plate, sheet, & strip

QW/QB-422 FERROUS P-NUMBERS AND S-NUMBERS
Grouping of Base Metals for Qualification

GENERAL NOTE: To convert from ksi to MPa, multiply tensile strength in table by 6.9.

Spec. No.	Type or Grade	UNS No.	Minimum Specified Tensile, ksi	Welding			Brazing		Nominal Composition	Product Form	
				P-Group No.	S-Group No.	10H	P-No.	S-No.			
SA-240	S32760	S32760	108	10H	1	...	102	25Cr-8Ni-3Mo-W-Cu-N	Plate, sheet, & strip
SA-240	Type 329	S32900	90	10H	1	102	...	26Cr-4Ni-Mo	Plate, sheet, & strip
SA-240	S32950	S32950	100	10H	1	102	...	26Cr-4Ni-Mo-N	Plate, sheet, & strip
SA-240	Type 347	S34700	75	8	1	102	...	18Cr-10Ni-Cb	Plate, sheet, & strip
SA-240	Type 347H	S34709	75	8	1	102	...	18Cr-10Ni-Cb	Plate, sheet, & strip
SA-240	Type 348	S34800	75	8	1	102	...	18Cr-10Ni-Cb	Plate, sheet, & strip
SA-240	Type 348H	S34809	75	8	1	102	...	18Cr-10Ni-Cb	Plate, sheet, & strip
SA-240	Type XM-15	S38100	75	8	1	102	...	18Cr-18Ni-2Si	Plate, sheet, & strip
SA-240	Type 405	S40500	60	7	1	102	...	12Cr-1Al	Plate, sheet, & strip
SA-240	Type 409	S40900	55	7	1	102	...	11Cr-Ti	Plate, sheet, & strip
SA-240	Type 410	S41000	65	6	1	102	...	13Cr	Plate, sheet, & strip
SA-240	Type 410S	S41008	60	7	1	102	...	13Cr	Plate, sheet, & strip
SA-240	S41500	S41500	115	6	4	102	...	13Cr-4.5Ni-Mo	Plate, sheet, & strip
SA-240	Type 429	S42900	65	6	2	102	...	15Cr	Plate, sheet, & strip
SA-240	Type 430	S43000	65	7	2	102	...	17Cr	Plate, sheet, & strip
SA-240	Type 439	S43035	60	7	2	102	...	17Cr-Ti	Plate, sheet, & strip
SA-240	S44400	S44400	60	7	2	102	...	18Cr-2Mo	Plate, sheet, & strip
SA-240	Type XM-33	S44626	68	10I	1	102	...	27Cr-1Mo-Ti	Plate, sheet, & strip
SA-240	Type XM-27	S44627	65	10I	1	102	...	27Cr-1Mo	Plate, sheet, & strip
SA-240	S44635	S44635	90	10I	1	102	...	25Cr-4Ni-4Mo-Ti	Plate, sheet, & strip
SA-240	S44660	S44660	85	10K	1	102	...	26Cr-3Ni-3Mo	Plate, sheet, & strip
SA-240	S44700	S44700	80	10J	1	102	...	29Cr-4Mo	Plate, sheet, & strip
SA-240	S44800	S44800	80	10K	1	102	...	29Cr-4Mo-2Ni	Plate, sheet, & strip
SA-249	TP201	S20100	95	8	3	102	...	17Cr-4Ni-6Mn	Welded tube
SA-249	TP202	S20200	90	8	3	102	...	18Cr-5Ni-9Mn	Welded tube
SA-249	TPXM-19	S20910	100	8	3	102	...	22Cr-13Ni-5Mn	Welded tube
SA-249	TPXM-29	S24000	100	8	3	102	...	18Cr-3Ni-12Mn	Welded tube
SA-249	TP304	S30400	75	8	1	102	...	18Cr-8Ni	Welded tube
SA-249	TP304L	S30403	70	8	1	102	...	18Cr-8Ni	Welded tube
SA-249	TP304H	S30409	75	8	1	102	...	18Cr-8Ni	Welded tube
SA-249	TP304N	S30451	80	8	1	102	...	18Cr-8Ni-N	Welded tube

QW/QB-422 FERROUS P-NUMBERS AND S-NUMBERS
Grouping of Base Metals for Qualification

GENERAL NOTE: To convert from ksi to MPa, multiply tensile strength in table by 6.9.

Spec. No.	Type or Grade	UNS No.	Minimum Specified Tensile, ksi	Welding				Brazing		Nominal Composition	Product Form
				P-Group No.	S-Group No.	Group No.	P-No.	S-No.			
SA-249	TP304LN	S30453	75	8	1	102	...	18Cr-8Ni-N	Welded tube
SA-249	S30815	S30815	87	8	2	102	...	21Cr-11Ni-N	Welded tube
SA-249	TP309S	S30908	75	8	2	102	...	23Cr-12Ni	Welded tube
SA-249	TP309H	S30909	75	8	2	102	...	23Cr-12Ni	Welded tube
SA-249	TP309Cb	S30940	75	8	2	102	...	23Cr-12Ni-Cb	Welded tube
SA-249	TP309HCb	S30941	75	8	2	102	...	23Cr-12Ni-Cb	Welded tube
SA-249	TP310S	S31008	75	8	2	102	...	25Cr-20Ni	Welded tube
SA-249	TP310H	S31009	75	8	2	102	...	25Cr-20Ni	Welded tube
SA-249	TP310Cb	S31040	75	8	2	102	...	25Cr-20Ni-Cb	Welded tube
SA-249	TP310HCb	S31041	75	8	2	102	...	25Cr-20Ni-Cb	Welded tube
SA-249	TP310MoLN	S31050	78	8	2	102	...	25Cr-22Ni-2Mo-N	Welded tube, $t > 1/4$ in. (6 mm)
SA-249	TP310MoLN	S31050	84	8	2	102	...	25Cr-22Ni-2Mo-N	Welded tube, $t \leq 1/4$ in. (6 mm)
SA-249	S31254	S31254	94	8	4	102	...	20Cr-18Ni-6Mo	Welded tube
SA-249	TP316	S31600	75	8	1	102	...	16Cr-12Ni-2Mo	Welded tube
SA-249	TP316L	S31603	70	8	1	102	...	16Cr-12Ni-2Mo	Welded tube
SA-249	TP316H	S31609	75	8	1	102	...	16Cr-12Ni-2Mo	Welded tube
SA-249	TP316N	S31651	80	8	1	102	...	16Cr-12Ni-2Mo-N	Welded tube
SA-249	TP316LN	S31653	75	8	1	102	...	16Cr-12Ni-2Mo-N	Welded tube
SA-249	TP317	S31700	75	8	1	102	...	18Cr-13Ni-3Mo	Welded tube
SA-249	TP317L	S31703	75	8	1	102	...	18Cr-13Ni-3Mo	Welded tube
SA-249	S31725	S31725	75	8	4	102	...	19Cr-15Ni-4Mo	Welded tube
SA-249	S31726	S31726	80	8	4	102	...	19Cr-15.5Ni-4Mo	Welded tube
SA-249	TP321	S32100	75	8	1	102	...	18Cr-10Ni-Ti	Welded tube
SA-249	TP321H	S32109	75	8	1	102	...	18Cr-10Ni-Ti	Welded tube
SA-249	TP347	S34700	75	8	1	102	...	18Cr-10Ni-Cb	Welded tube
SA-249	TP347H	S34709	75	8	1	102	...	18Cr-10Ni-Cb	Welded tube
SA-249	TP348	S34800	75	8	1	102	...	18Cr-10Ni-Cb	Welded tube
SA-249	TP348H	S34809	75	8	1	102	...	18Cr-10Ni-Cb	Welded tube
SA-249	TPXM-15	S38100	75	8	1	102	...	18Cr-18Ni-2Si	Welded tube
SA-250	Tlb	K11422	53	3	1	101	...	C-0.5Mo	E.R.W. tube

WELDING DATA

QW/QB-422

QW/QB-422 FERROUS P-NUMBERS AND S-NUMBERS
Grouping of Base Metals for Qualification

GENERAL NOTE: To convert from ksi to MPa, multiply tensile strength in table by 6.9.

Spec. No.	Type or Grade	UNS No.	Minimum Specified Tensile, ksi	Welding			Brazing		Nominal Composition	Product Form	
				P-Group No.	S-Group No.	Group No.	P-No.	S-No.			
SA-250	T1	K11522	55	3	1	101	...	C-0.5Mo	E.R.W. tube
SA-250	T2	K11547	60	3	1	101	...	0.5Cr-0.5Mo	E.R.W. tube
SA-250	T11	K11597	60	4	1	102	...	1.25Cr-0.5Mo-Si	E.R.W. tube
SA-250	T1a	K12023	60	3	1	101	...	C-0.5Mo	E.R.W. tube
SA-250	T22	K21590	60	5A	1	102	...	2.25Cr-1Mo	E.R.W. tube
A 254	Cl.1	K01001	42	C	Cu brazed tube
A 254	Cl.2	K01001	42	C	Cu brazed tube
SA-266	4	K03017	70	1	2	101	...	C-Mn-Si	Forgings
SA-266	1	K03506	60	1	1	101	...	C-Si	Forgings
SA-266	2	K03506	70	1	2	101	...	C-Si	Forgings
SA-266	3	K05001	75	1	2	101	...	C-Si	Forgings
SA-268	TP405	S40500	60	7	1	102	...	12Cr-1Al	Smls. & welded tube
SA-268	S40800	S40800	55	7	1	102	...	12Cr-Ti	Smls. & welded tube
SA-268	TP409	S40900	55	7	1	102	...	11Cr-Ti	Smls. & welded tube
SA-268	TP410	S41000	60	6	1	102	...	13Cr	Smls. & welded tube
SA-268	S41500	S41500	115	6	4	102	...	13Cr-4.5Ni-Mo	Smls. & welded tube
SA-268	TP429	S42900	60	6	2	102	...	15Cr	Smls. & welded tube
SA-268	TP430	S43000	60	7	2	102	...	17Cr	Smls. & welded tube
SA-268	TP439	S43035	60	7	2	102	...	18Cr-Ti	Smls. & welded tube
SA-268	TP430Ti	S43036	60	7	1	102	...	18Cr-Ti-Cb	Smls. & welded tube
SA-268	18Cr-2Mo	S44400	60	7	2	102	...	18Cr-2Mo	Smls. & welded tube
SA-268	TP446-2	S44600	65	10I	1	102	...	27Cr	Smls. & welded tube
SA-268	TP446-1	S44600	70	10I	1	102	...	27Cr	Smls. & welded tube
SA-268	TPXM-33	S44626	68	10I	1	102	...	27Cr-1Mo-Ti	Smls. & welded tube
SA-268	TPXM-27	S44627	65	10I	1	102	...	27Cr-1Mo	Smls. & welded tube
SA-268	25-4-4	S44635	90	10I	1	102	...	25Cr-4Ni-4Mo-Ti	Smls. & welded tube
SA-268	26-3-3	S44660	85	10K	1	102	...	26Cr-3Ni-3Mo	Smls. & welded tube
SA-268	29-4	S44700	80	10J	1	102	...	29Cr-4Mo	Smls. & welded tube
SA-268	S44735	S44735	75	10J	1	102	...	29Cr-4Mo-Ti	Smls. & welded tube
SA-268	29-4-2	S44800	80	10K	1	102	...	29Cr-4Mo-2Ni	Smls. & welded tube

WELDING DATA

QW/QB-422

QW/QB-422 FERROUS P-NUMBERS AND S-NUMBERS
Grouping of Base Metals for Qualification

GENERAL NOTE: To convert from ksi to MPa, multiply tensile strength in table by 6.9.

Spec. No.	Type or Grade	UNS No.	Minimum Specified Tensile, ksi	Welding				Brazing		Nominal Composition	Product Form
				P- No.	Group No.	S- No.	Group No.	P- No.	S- No.		
A 269	TP316	S31600	75	8	1	...	102	16Cr-12Ni-2Mo	Smls. & welded tube
A 269	TP316L	S31603	70	8	1	...	102	16Cr-12Ni-2Mo	Smls. & welded tube
A 269	TP304	S30400	75	8	1	...	102	18Cr-8Ni	Smls. & welded tube
A 269	TP304L	S30403	70	8	1	...	102	18Cr-8Ni	Smls. & welded tube
A 271	TP304	S30400	75	8	1	...	102	18Cr-8Ni	Smls. tube
A 271	TP304L	S30403	70	8	1	...	102	18Cr-8Ni	Smls. tube
A 276	TP304	S30400	75	8	1	...	102	18Cr-8Ni	Bar
A 276	TP304L	S30403	70	8	1	...	102	18Cr-8Ni	Bar
A 276	TP316	S31600	75	8	1	...	102	16Cr-12Ni-2Mo	Bar
A 276	TP316L	S31603	70	8	1	...	102	16Cr-12Ni-2Mo	Bar
A 276	TP410	S41000	65	6	1	...	102	13Cr	Bar
SA-283	A	K01400	45	1	1	101	...	C	Plate
SA-283	B	K01702	50	1	1	101	...	C	Plate
SA-283	C	K02401	55	1	1	101	...	C	Plate
SA-283	D	K02702	60	1	1	101	...	C	Plate
SA-285	A	K01700	45	1	1	101	...	C	Plate
SA-285	B	K02200	50	1	1	101	...	C	Plate
SA-285	C	K02801	55	1	1	101	...	C	Plate
SA-299	...	K02803	75	1	2	101	...	C-Mn-Si	Plate
SA-302	A	K12021	75	3	2	101	...	Mn-0.5Mo	Plate
SA-302	B	K12022	80	3	3	101	...	Mn-0.5Mo	Plate
SA-302	C	K12039	80	3	3	101	...	Mn-0.5Mo-0.5Ni	Plate
SA-302	D	K12054	80	3	3	101	...	Mn-0.5Mo-0.75Ni	Plate
SA-312	TPXM-19	S20910	100	8	3	102	...	22Cr-13Ni-5Mn	Smls. & welded pipe
SA-312	TPXM-11	S21904	90	8	3	102	...	21Cr-6Ni-9Mn	Smls. & welded pipe
SA-312	TPXM-29	S24000	100	8	3	102	...	18Cr-3Ni-12Mn	Smls. & welded pipe
SA-312	TP304	S30400	75	8	1	102	...	18Cr-8Ni	Smls. & welded pipe
SA-312	TP304L	S30403	70	8	1	102	...	18Cr-8Ni	Smls. & welded pipe
SA-312	TP304H	S30409	75	8	1	102	...	18Cr-8Ni	Smls. & welded pipe
SA-312	TP304N	S30451	80	8	1	102	...	18Cr-8Ni-N	Smls. & welded pipe

QW/QB-422 FERROUS P-NUMBERS AND S-NUMBERS
Grouping of Base Metals for Qualification

GENERAL NOTE: To convert from ksi to MPa, multiply tensile strength in table by 6.9.

Spec. No.	Type or Grade	UNS No.	Minimum Specified Tensile, ksi	Welding				Brazing		Nominal Composition	Product Form
				P-Group No.	S-Group No.	Group No.	P-No.	S-No.			
SA-312	TP304LN	S30453	75	8	1	102	...	18Cr-8Ni-N	Smls. & welded pipe
SA-312	S30600	S30600	78	8	1	102	...	18Cr-15Ni-4Si	Smls. & welded pipe
SA-312	S30815	S30815	87	8	2	102	...	21Cr-11Ni-N	Smls. & welded pipe
SA-312	TP309S	S30908	75	8	2	102	...	23Cr-12Ni	Smls. & welded pipe
SA-312	TP309H	S30909	75	8	2	102	...	23Cr-12Ni	Smls. & welded pipe
SA-312	TP309Cb	S30940	75	8	2	102	...	23Cr-12Ni-Cb	Smls. & welded pipe
SA-312	TP309HCb	S30941	75	8	2	102	...	23Cr-12Ni-Cb	Smls. & welded pipe
SA-312	TP310S	S31008	75	8	2	102	...	25Cr-20Ni	Smls. & welded pipe
SA-312	TP310H	S31009	75	8	2	102	...	25Cr-20Ni	Smls. & welded pipe
SA-312	TP310Cb	S31040	75	8	2	102	...	25Cr-20Ni-Cb	Smls. & welded pipe
SA-312	TP310HCb	S31041	75	8	2	102	...	25Cr-20Ni-Cb	Smls. & welded pipe
SA-312	TP310MoLN	S31050	78	8	2	102	...	25Cr-22Ni-2Mo-N	Welded pipe, $t > \frac{1}{4}$ in. (6 mm)
SA-312	TP310MoLN	S31050	84	8	2	102	...	25Cr-22Ni-2Mo-N	Welded pipe, $t \leq \frac{1}{4}$ in. (6 mm)
SA-312	S31254	S31254	94	8	4	102	...	20Cr-18Ni-6Mo	Smls. & welded pipe
SA-312	TP316	S31600	75	8	1	102	...	16Cr-12Ni-2Mo	Smls. & welded pipe
SA-312	TP316L	S31603	70	8	1	102	...	16Cr-12Ni-2Mo	Smls. & welded pipe
SA-312	TP316H	S31609	75	8	1	102	...	16Cr-12Ni-2Mo	Smls. & welded pipe
SA-312	TP316N	S31651	80	8	1	102	...	16Cr-12Ni-2Mo-N	Smls. & welded pipe
SA-312	TP316LN	S31653	75	8	1	102	...	16Cr-12Ni-2Mo-N	Smls. & welded pipe
SA-312	TP317	S31700	75	8	1	102	...	18Cr-13Ni-3Mo	Smls. & welded pipe
SA-312	TP317L	S31703	75	8	1	102	...	18Cr-13Ni-3Mo	Smls. & welded pipe
SA-312	S31725	S31725	75	8	4	102	...	19Cr-15Ni-4Mo	Smls. & welded pipe
SA-312	S31726	S31726	80	8	4	102	...	19Cr-15.5Ni-4Mo	Smls. & welded pipe
SA-312	TP321	S32100	70	8	1	102	...	18Cr-10Ni-Ti	Smls. pipe $> \frac{3}{8}$ in. (10 mm)
SA-312	TP321	S32100	75	8	1	102	...	18Cr-10Ni-Ti	Smls. pipe $\leq \frac{3}{8}$ in. (10 mm)
SA-312	TP321	S32100	75	8	1	102	...	18Cr-10Ni-Ti	Welded pipe
SA-312	TP321H	S32109	70	8	1	102	...	18Cr-10Ni-Ti	Smls. pipe $> \frac{3}{8}$ in. (10 mm)

QW/QB-422 FERROUS P-NUMBERS AND S-NUMBERS
Grouping of Base Metals for Qualification

GENERAL NOTE: To convert from ksi to MPa, multiply tensile strength in table by 6.9.

Spec. No.	Type or Grade	UNS No.	Minimum Specified Tensile, ksi	Welding				Brazing		Nominal Composition	Product Form
				P- No.	Group No.	S- No.	Group No.	P- No.	S- No.		
SA-312	TP321H	S32109	75	8	1	18Cr-10Ni-Ti	Smls. pipe ≤ 3/8 in. (10 mm)	
SA-312	TP321H	S32109	75	8	1	18Cr-10Ni-Ti	Welded pipe	
SA-312	TP347	S34700	75	8	1	18Cr-10Ni-Cb	Smls. & welded pipe	
SA-312	TP347H	S34709	75	8	1	18Cr-10Ni-Cb	Smls. & welded pipe	
SA-312	TP348	S34800	75	8	1	18Cr-10Ni-Cb	Smls. & welded pipe	
SA-312	TP348H	S34809	75	8	1	18Cr-10Ni-Cb	Smls. & welded pipe	
SA-312	TPXM-15	S38100	75	8	1	18Cr-18Ni-2Si	Smls. & welded pipe	
A 331	8620 CW	G86200	90	3	0.5Ni-0.5Cr-Mo	Bar	
SA-333	6	K03006	60	1	1	C-Mn-Si	Smls. & welded pipe	
SA-333	1	K03008	55	1	1	C-Mn	Smls. & welded pipe	
SA-333	10	...	80	1	3	C-Mn-Si	Smls. & welded pipe	
SA-333	4	K11267	60	4	2	0.75Cr-0.75Ni-Cu-Al	Smls. & welded pipe	
SA-333	7	K21903	65	9A	1	2.5Ni	Smls. & welded pipe	
SA-333	9	K22035	63	9A	1	2Ni-1Cu	Smls. & welded pipe	
SA-333	3	K31918	65	9B	1	3.5Ni	Smls. & welded pipe	
SA-333	8	K81340	100	11A	1	9Ni	Smls. & welded pipe	
SA-334	6	K03006	60	1	1	C-Mn-Si	Welded tube	
SA-334	1	K03008	55	1	1	C-Mn	Welded tube	
SA-334	7	K21903	65	9A	1	2.5Ni	Welded tube	
SA-334	9	K22035	63	9A	1	2Ni-1Cu	Welded tube	
SA-334	3	K31918	65	9B	1	3.5Ni	Welded tube	
SA-334	8	K81340	100	11A	1	9Ni	Welded tube	
SA-335	P1	K11522	55	3	1	C-0.5Mo	Smls. pipe	
SA-335	P2	K11547	55	3	1	0.5Cr-0.5Mo	Smls. pipe	
SA-335	P12	K11562	60	4	1	1Cr-0.5Mo	Smls. pipe	
SA-335	P15	K11578	60	3	1	1.5Si-0.5Mo	Smls. pipe	
SA-335	P11	K11597	60	4	1	1.25Cr-0.5Mo-Si	Smls. pipe	
SA-335	P22	K21590	60	5A	1	2.25Cr-1Mo	Smls. pipe	
SA-335	P21	K31545	60	5A	1	3Cr-1Mo	Smls. pipe	
SA-335	P5c	K41245	60	5B	1	5Cr-0.5Mo-Ti	Smls. pipe	

WELDING DATA

QW/QB-422

QW/QB-422 FERROUS P-NUMBERS AND S-NUMBERS
Grouping of Base Metals for Qualification

GENERAL NOTE: To convert from ksi to MPa, multiply tensile strength in table by 6.9.

Spec. No.	Type or Grade	UNS No.	Minimum Specified Tensile, ksi	Welding				Brazing		Nominal Composition	Product Form
				P- No.	Group No.	S- No.	Group No.	P- No.	S- No.		
SA-335	P5	K41545	60	5B	1	102	...	5Cr-0.5Mo	Smls. pipe
SA-335	P5b	K51545	60	5B	1	102	...	5Cr-0.5Mo-Si	Smls. pipe
SA-335	P9	K90941	60	5B	1	102	...	9Cr-1Mo	Smls. pipe
SA-335	P91	K90901	85	5B	2	102	...	9Cr-1Mo-V	Smls. pipe
SA-336	F6	S41000	85	6	3	102	...	13Cr	Forgings
SA-336	F12	K11564	70	4	1	102	...	1Cr-0.5Mo	Forgings
SA-336	F11, Cl. 1	K11597	60	4	1	102	...	1.25Cr-0.5Mo-Si	Forgings
SA-336	F11, Cl. 2	K11572	70	4	1	102	...	1.25Cr-0.5Mo-Si	Forgings
SA-336	F11, Cl. 3	K11572	75	4	1	102	...	1.25Cr-0.5Mo-Si	Forgings
SA-336	F1	K12520	70	3	2	101	...	C-0.5Mo	Forgings
SA-336	F22, Cl. 1	K21590	60	5A	1	102	...	2.25Cr-1Mo	Forgings
SA-336	F22, Cl. 3	K21590	75	5A	1	102	...	2.25Cr-1Mo	Forgings
SA-336	F21, Cl. 1	K31545	60	5A	1	102	...	3Cr-1Mo	Forgings
SA-336	F21, Cl. 3	K31545	75	5A	1	102	...	3Cr-1Mo	Forgings
SA-336	F3V	K31830	85	5C	1	102	...	3Cr-1Mo-V-Ti-B	Forgings
SA-336	F22V	K31835	85	5C	1	102	...	2.25Cr-1Mo-V	Forgings
SA-336	F5	K41545	60	5B	1	102	...	5Cr-0.5Mo	Forgings
SA-336	F5A	K42544	80	5B	1	102	...	5Cr-0.5Mo	Forgings
SA-336	F9	K90941	85	5B	1	102	...	9Cr-1Mo	Forgings
SA-336	F91	K90901	85	5B	2	102	...	9Cr-1Mo-V	Forgings
SA-336	F46	S30600	78	8	1	102	...	18Cr-15Ni-4Si	Forgings
SA-336	FXM-19	S20910	100	8	3	102	...	22Cr-13Ni-5Mn	Forgings
SA-336	FXM-11	S21904	90	8	3	102	...	21Cr-6Ni-9Mn	Forgings
SA-336	F304	S30400	70	8	1	102	...	18Cr-8Ni	Forgings
SA-336	F304L	S30403	65	8	1	102	...	18Cr-8Ni	Forgings
SA-336	F304H	S30409	70	8	1	102	...	18Cr-8Ni	Forgings
SA-336	F304N	S30451	80	8	1	102	...	18Cr-8Ni-N	Forgings
SA-336	F304LN	S30453	70	8	1	102	...	18Cr-8Ni-N	Forgings
SA-336	F310	S31000	75	8	2	102	...	25Cr-20Ni	Forgings
SA-336	F316	S31600	70	8	1	102	...	16Cr-12Ni-2Mo	Forgings
SA-336	F316L	S31603	65	8	1	102	...	16Cr-12Ni-2Mo	Forgings

WELDING DATA

QW/QB-422

QW/QB-422 FERROUS P-NUMBERS AND S-NUMBERS
Grouping of Base Metals for Qualification

GENERAL NOTE: To convert from ksi to MPa, multiply tensile strength in table by 6.9.

Spec. No.	Type or Grade	UNS No.	Minimum Specified Tensile, ksi	Welding				Brazing		Nominal Composition	Product Form
				P-Group No.	S-Group No.	Group No.	P-No.	S-No.			
SA-336	F316H	S31609	70	8	1	102	...	16Cr-12Ni-2Mo	Forgings
SA-336	F316N	S31651	80	8	1	102	...	16Cr-12Ni-2Mo-N	Forgings
SA-336	F316LN	S31653	70	8	1	102	...	16Cr-12Ni-2Mo-N	Forgings
SA-336	F321	S32100	70	8	1	102	...	18Cr-10Ni-Ti	Forgings
SA-336	F321H	S32109	70	8	1	102	...	18Cr-10Ni-Ti	Forgings
SA-336	F347	S34700	70	8	1	102	...	18Cr-10Ni-Cb	Forgings
SA-336	F347H	S34709	70	8	1	102	...	18Cr-10Ni-Cb	Forgings
SA-336	F348	S34800	70	8	1	102	...	18Cr-10Ni-Cb	Forgings
SA-336	F348H	S34809	65	8	1	102	...	18Cr-10Ni-Cb	Forgings
SA-350	LF1	K03009	60	1	1	101	...	C-Mn-Si	Forgings
SA-350	LF2	K03011	70	1	2	101	...	C-Mn-Si	Forgings
SA-350	LF5, Cl. 1	K13050	60	9A	1	101	...	1.5Ni	Forgings
SA-350	LF5, Cl. 2	K13050	70	9A	1	101	...	1.5Ni	Forgings
SA-350	LF9	K22036	63	9A	1	101	...	2Ni-1Cu	Forgings
SA-350	LF3	K32025	70	9B	1	101	...	3.5Ni	Forgings
SA-351	CF3	J92500	70	8	1	102	...	18Cr-8Ni	Castings
SA-351	CF3A	J92500	77	8	1	102	...	18Cr-8Ni	Castings
SA-351	CF8	J92600	70	8	1	102	...	18Cr-8Ni	Castings
SA-351	CF8A	J92600	77	8	1	102	...	18Cr-8Ni	Castings
SA-351	CF8C	J92710	70	8	1	102	...	18Cr-10Ni-Cb	Castings
SA-351	CF3M	J92800	70	8	1	102	...	18Cr-12Ni-2Mo	Castings
SA-351	CF8M	J92900	70	8	1	102	...	18Cr-12Ni-2Mo	Castings
SA-351	CF10	J92590	70	8	1	102	...	19Cr-9Ni-0.5Mo	Castings
SA-351	CF10M	J92901	70	8	1	102	...	19Cr-9Ni-2Mo	Castings
SA-351	CG8M	J93000	75	8	1	102	...	19Cr-10Ni-3Mo	Castings
SA-351	CK3M/CuN	J93254	80	8	4	102	...	20Cr-18Ni-6Mo	Castings
SA-351	CE8M/N	J93345	95	10H	1	102	...	24Cr-10Ni-Mo-N	Castings
SA-351	CD4M/Cu	J93370	100	10H	1	102	...	25Cr-5Ni-2Mo-3Cu	Castings
SA-351	CD3M/W/CuN	J93380	100	10H	1	...	102	25Cr-8Ni-3Mo-W-Cu-N	Castings
SA-351	CH8	J93400	65	8	2	102	...	25Cr-12Ni	Castings
SA-351	CH20	J93402	70	8	2	102	...	25Cr-12Ni	Castings
SA-351	CG6M/MN	J93790	85	8	3	102	...	22Cr-12Ni-5Mn	Castings
SA-351	CK20	J94202	65	8	2	102	...	25Cr-20Ni	Castings

QW/QB-422 FERROUS P-NUMBERS AND S-NUMBERS
Grouping of Base Metals for Qualification

GENERAL NOTE: To convert from ksi to MPa, multiply tensile strength in table by 6.9.

Spec. No.	Type or Grade	UNS No.	Minimum Specified Tensile, ksi	Welding		Brazing		Nominal Composition	Product Form	
				P- No.	S- No.	P- No.	S- No.			
										Group No.
SA-351	CN7M	N08007	62	45	111	...	28Ni-19Cr-Cu-Mo	Castings
SA-351	CT15C	N08151	63	45	111	...	32Ni-45Fe-20Cr-Cb	Castings
SA-351	CN3MN	J94651	80	45	111	...	46Fe-24Ni-21Cr-6Mo-Cu-N	Castings
A 351	CA15	...	90	6	13Cr	Castings
A 351	CE20N	...	80	8	25Cr-8Ni-N	Castings
A 351	CF10MC	J92971	70	8	16Cr-14Ni-2Mo	Castings
A 351	CH10	J93401	70	8	25Cr-12Ni	Castings
A 351	HK30	J94203	65	8	25Cr-20Ni-0.5Mo	Castings
A 351	HK40	J94204	62	8	25Cr-20Ni-0.5Mo	Castings
A 351	HT30	N08603	65	45	35Ni-15Cr-0.5Mo	Castings
SA-352	LCA	J02504	60	1	1	...	101	...	C-Si	Castings
SA-352	LCC	J02505	70	1	2	...	101	...	C-Mn-Si	Castings
SA-352	LCB	J03003	65	1	1	...	101	...	C-Si	Castings
SA-352	LC1	J12522	65	3	1	...	101	...	C-0.5Mo	Castings
SA-352	LC2	J22500	70	9A	1	...	101	...	2.5Ni	Castings
SA-352	LC3	J31550	70	9B	1	...	101	...	3.5Ni	Castings
SA-352	LC4	J41500	70	9C	1	...	101	...	4.5Ni	Castings
SA-352	LC2-1	J42215	105	11A	5	...	102	...	3Ni-1.5Cr-0.5Mo	Castings
SA-352	CA6NM	J91540	110	6	4	...	102	...	13Cr-4Ni	Castings
SA-353	...	K81340	100	11A	1	...	101	...	9Ni	Plate
SA-358	XM-19	S20910	100	8	3	...	102	...	22Cr-13Ni-5Mn	Fusion welded pipe
SA-358	XM-29	S24000	100	8	3	...	102	...	18Cr-3Ni-12Mn	Fusion welded pipe
SA-358	304	S30400	75	8	1	...	102	...	18Cr-8Ni	Fusion welded pipe
SA-358	304L	S30403	70	8	1	...	102	...	18Cr-8Ni	Fusion welded pipe
SA-358	304H	S30409	75	8	1	...	102	...	18Cr-8Ni	Fusion welded pipe
SA-358	304N	S30451	80	8	1	...	102	...	18Cr-8Ni-N	Fusion welded pipe
SA-358	304LN	S30453	75	8	1	...	102	...	18Cr-8Ni-N	Fusion welded pipe
SA-358	S30815	S30815	87	8	2	...	102	...	21Cr-11Ni-N	Fusion welded pipe
SA-358	309S	S30908	75	8	2	...	102	...	23Cr-12Ni	Fusion welded pipe

QW/QB-422 FERROUS P-NUMBERS AND S-NUMBERS
Grouping of Base Metals for Qualification

GENERAL NOTE: To convert from ksi to MPa, multiply tensile strength in table by 6.9.

Spec. No.	Type or Grade	UNS No.	Minimum Specified Tensile, ksi	Welding				Brazing		Nominal Composition	Product Form
				P-Group No.	S-Group No.	Group No.	P-No.	S-No.			
SA-358	309Cb	S30940	75	8	2	102	...	23Cr-12Ni-Cb	Fusion welded pipe
SA-358	310S	S31008	75	8	2	102	...	25Cr-20Ni	Fusion welded pipe
SA-358	310Cb	S31040	75	8	2	102	...	25Cr-20Ni-Cb	Fusion welded pipe
SA-358	S31254	S31254	94	8	4	102	...	20Cr-18Ni-6Mo	Fusion welded pipe
SA-358	316	S31600	75	8	1	102	...	16Cr-12Ni-2Mo	Fusion welded pipe
SA-358	316L	S31603	70	8	1	102	...	16Cr-12Ni-2Mo	Fusion welded pipe
SA-358	316H	S31609	75	8	1	102	...	16Cr-12Ni-2Mo	Fusion welded pipe
SA-358	316N	S31651	80	8	1	102	...	16Cr-12Ni-2Mo-N	Fusion welded pipe
SA-358	316LN	S31653	75	8	1	102	...	16Cr-12Ni-2Mo-N	Fusion welded pipe
SA-358	S31725	S31725	75	8	4	102	...	19Cr-15Ni-4Mo	Fusion welded pipe
SA-358	S31726	S31726	80	8	4	102	...	19Cr-15.5Ni-4Mo	Fusion welded pipe
SA-358	321	S32100	75	8	1	102	...	18Cr-10Ni-Ti	Fusion welded pipe
SA-358	347	S34700	75	8	1	102	...	18Cr-10Ni-Cb	Fusion welded pipe
SA-358	348	S34800	75	8	1	102	...	18Cr-10Ni-Cb	Fusion welded pipe
SA-369	FPA	K02501	48	1	1	101	...	C-Si	Forged pipe
SA-369	FPB	K03006	60	1	1	101	...	C-Mn-Si	Forged pipe
SA-369	FP1	K11522	55	3	1	101	...	C-0.5Mo	Forged pipe
SA-369	FP2	K11547	55	3	1	101	...	0.5Cr-0.5Mo	Forged pipe
SA-369	FP12	K11562	60	4	1	102	...	1Cr-0.5Mo	Forged pipe
SA-369	FP11	K11597	60	4	1	102	...	1.25Cr-0.5Mo-Si	Forged pipe
SA-369	FP22	K21590	60	5A	1	102	...	2.25Cr-1Mo	Forged pipe
SA-369	FP21	K31545	60	5A	1	102	...	3Cr-1Mo	Forged pipe
SA-369	FP5	K41545	60	5B	1	102	...	5Cr-0.5Mo	Forged pipe
SA-369	FP9	K90941	60	5B	1	102	...	9Cr-1Mo	Forged pipe
SA-369	FP91	K90901	85	5B	2	102	...	9Cr-1Mo-V	Forged pipe
SA-372	A	K03002	60	1	1	101	...	C-Si	Forgings
SA-372	B	K04001	75	1	2	101	...	C-Mn-Si	Forgings
SA-376	16-8-2H	S16800	75	8	1	102	...	16Cr-8Ni-2Mo	Smls. pipe
SA-376	TP304	S30400	70	8	1	102	...	18Cr-8Ni	Smls. pipe ≥ 0.812 in. (21 mm)

WELDING DATA

QW/QB-422

QW/QB-422 FERROUS P-NUMBERS AND S-NUMBERS
Grouping of Base Metals for Qualification

GENERAL NOTE: To convert from ksi to MPa, multiply tensile strength in table by 6.9.

Spec. No.	Type or Grade	UNS No.	Minimum Specified Tensile, ksi	Welding		Brazing		Nominal Composition	Product Form	
				P-Group No.	S-Group No.	P-Group No.	S-Group No.			
SA-376	TP304	S30400	75	8	1	...	102	...	18Cr-8Ni	Smls. pipe < 0.812 in. (21 mm)
SA-376	TP304H	S30409	75	8	1	...	102	...	18Cr-8Ni	Smls. pipe
SA-376	TP304N	S30451	80	8	1	...	102	...	18Cr-8Ni-N	Smls. pipe
SA-376	TP304LN	S30453	75	8	1	...	102	...	18Cr-8Ni-N	Smls. pipe
SA-376	TP316	S31600	75	8	1	...	102	...	16Cr-12Ni-2Mo	Smls. pipe
SA-376	TP316H	S31609	75	8	1	...	102	...	16Cr-12Ni-2Mo	Smls. pipe
SA-376	TP316N	S31651	80	8	1	...	102	...	16Cr-12Ni-2Mo-N	Smls. pipe
SA-376	TP316LN	S31653	75	8	1	...	102	...	16Cr-12Ni-2Mo-N	Smls. pipe
SA-376	S31725	S31725	75	8	4	...	102	...	19Cr-15Ni-4Mo	Smls. pipe
SA-376	S31726	S31726	80	8	4	...	102	...	19Cr-15.5Ni-4Mo	Smls. pipe
SA-376	TP321	S32100	70	8	1	...	102	...	18Cr-10Ni-Ti	Smls. pipe > 3/8 in. (10 mm)
SA-376	TP321	S32100	75	8	1	...	102	...	18Cr-10Ni-Ti	Smls. pipe ≤ 3/8 in. (10 mm)
SA-376	TP321H	S32109	70	8	1	...	102	...	18Cr-10Ni-Ti	Smls. pipe > 3/8 in. (10 mm)
SA-376	TP321H	S32109	75	8	1	...	102	...	18Cr-10Ni-Ti	Smls. pipe ≤ 3/8 in. (10 mm)
SA-376	TP347	S34700	75	8	1	...	102	...	18Cr-10Ni-Cb	Smls. pipe
SA-376	TP347H	S34709	75	8	1	...	102	...	18Cr-10Ni-Cb	Smls. pipe
SA-376	TP348	S34800	75	8	1	...	102	...	18Cr-10Ni-Cb	Smls. pipe
A 381	Y35	K03013	60	1	...	101	C	Welded pipe
A 381	Y42	...	60	1	...	101	C	Welded pipe
A 381	Y48	...	62	1	...	101	C	Welded pipe > 3/8 in. (10 mm)
A 381	Y46	...	63	1	...	101	C	Welded pipe
A 381	Y50	...	64	1	...	101	C	Welded pipe > 3/8 in. (10 mm)
A 381	Y52	...	66	1	...	101	C	Welded pipe > 3/8 in. (10 mm)

QW/QB-422 FERROUS P-NUMBERS AND S-NUMBERS
Grouping of Base Metals for Qualification

GENERAL NOTE: To convert from ksi to MPa, multiply tensile strength in table by 6.9.

Spec. No.	Type or Grade	UNS No.	Minimum Specified Tensile, ksi	Welding			Brazing		Nominal Composition	Product Form
				P- No.	Group No.	S- No.	Group No.	S- No.		
A 381	Y56	...	71	1	...	101	C	Welded pipe > 3/8 in. (10 mm)
A 381	Y52	...	72	1	...	101	C	Welded pipe, to 3/8 in. (10 mm)
A 381	Y56	...	75	1	...	101	C	Welded pipe, to 3/8 in. (10 mm)
A 381	Y60	...	75	1	...	101	C	Welded pipe > 3/8 in. (10 mm)
A 381	Y60	...	78	1	...	101	C	Welded pipe ≤ 3/8 in. (10 mm)
SA-387	12, Cl. 1	K11757	55	4	1	102	1Cr-0.5Mo	Plate
SA-387	12, Cl. 2	K11757	65	4	1	102	1Cr-0.5Mo	Plate
SA-387	11, Cl. 1	K11789	60	4	1	102	1.25Cr-0.5Mo-Si	Plate
SA-387	11, Cl. 2	K11789	75	4	1	102	1.25Cr-0.5Mo-Si	Plate
SA-387	Gr. 2, Cl. 1	K12143	55	3	1	101	0.5Cr-0.5Mo	Plate
SA-387	Gr. 2, Cl. 2	K12143	70	3	2	101	0.5Cr-0.5Mo	Plate
SA-387	22, Cl. 1	K21590	60	5A	1	102	2.25Cr-1Mo	Plate
SA-387	22, Cl. 2	K21590	75	5A	1	102	2.25Cr-1Mo	Plate
SA-387	21, Cl. 1	K31545	60	5A	1	102	3Cr-1Mo	Plate
SA-387	21, Cl. 2	K31545	75	5A	1	102	3Cr-1Mo	Plate
SA-387	5, Cl. 1	K41545	60	5B	1	102	5Cr-0.5Mo	Plate
SA-387	5, Cl. 2	K41545	75	5B	1	102	5Cr-0.5Mo	Plate
SA-387	Gr. 91, Cl. 2	K90901	85	5B	2	102	9Cr-1Mo-V	Plate
SA-403	WPXM-19	S20910	100	8	3	102	22Cr-13Ni-5Mn	Wrought piping fittings
SA-403	WP304	S30400	75	8	1	102	18Cr-8Ni	Wrought piping fittings
SA-403	WP304L	S30403	70	8	1	102	18Cr-8Ni	Wrought piping fittings
SA-403	WP304H	S30409	75	8	1	102	18Cr-8Ni	Wrought piping fittings
SA-403	WP304N	S30451	80	8	1	102	18Cr-8Ni-N	Wrought piping fittings
SA-403	WP304LN	S30453	75	8	1	102	18Cr-8Ni-N	Wrought piping fittings
SA-403	WP309	S30900	75	8	2	102	23Cr-12Ni	Wrought piping fittings
SA-403	WP310	S31000	75	8	2	102	25Cr-20Ni	Wrought piping fittings
SA-403	WP316	S31600	75	8	1	102	16Cr-12Ni-2Mo	Wrought piping fittings
SA-403	WP316L	S31603	70	8	1	102	16Cr-12Ni-2Mo	Wrought piping fittings

WELDING DATA

QW/QB-422

QW/QB-422 FERROUS P-NUMBERS AND S-NUMBERS
Grouping of Base Metals for Qualification

GENERAL NOTE: To convert from ksi to MPa, multiply tensile strength in table by 6.9.

Spec. No.	Type or Grade	UNS No.	Minimum Specified Tensile, ksi	Welding			Brazing		Nominal Composition	Product Form
				P- No.	Group No.	S- No.	P- No.	S- No.		
SA-403	...	S31254	94	8	4	...	102	...	20Cr-18Ni-6Mo	Wrought piping fittings
SA-403	WP316H	S31609	75	8	1	...	102	...	16Cr-12Ni-2Mo	Wrought piping fittings
SA-403	WP316N	S31651	80	8	1	...	102	...	16Cr-12Ni-2Mo-N	Wrought piping fittings
SA-403	WP316LN	S31653	75	8	1	...	102	...	16Cr-12Ni-2Mo-N	Wrought piping fittings
SA-403	WP317	S31700	75	8	1	...	102	...	18Cr-13Ni-3Mo	Wrought piping fittings
SA-403	WP317L	S31703	75	8	1	...	102	...	18Cr-13Ni-3Mo	Wrought piping fittings
SA-403	WP321	S32100	75	8	1	...	102	...	18Cr-10Ni-Ti	Wrought piping fittings
SA-403	WP321H	S32109	75	8	1	...	102	...	18Cr-10Ni-Ti	Wrought piping fittings
SA-403	WP347	S34700	75	8	1	...	102	...	18Cr-10Ni-Cb	Wrought piping fittings
SA-403	WP347H	S34709	75	8	1	...	102	...	18Cr-10Ni-Cb	Wrought piping fittings
SA-403	WP348	S34800	75	8	1	...	102	...	18Cr-10Ni-Cb	Wrought piping fittings
SA-403	WP348H	S34809	75	8	1	...	102	...	18Cr-10Ni-Cb	Wrought piping fittings
SA-409	TP304	S30400	75	8	1	...	102	...	18Cr-8Ni	Welded pipe
SA-409	TP304L	S30403	70	8	1	...	102	...	18Cr-8Ni	Welded pipe
SA-409	S30815	S30815	87	8	2	...	102	...	21Cr-11Ni-N	Welded pipe
SA-409	TP309S	S30908	75	8	2	...	102	...	23Cr-12Ni	Welded pipe
SA-409	TP309Cb	S30940	75	8	2	...	102	...	23Cr-12Ni-Cb	Welded pipe
SA-409	TP310S	S31008	75	8	2	...	102	...	25Cr-20Ni	Welded pipe
SA-409	TP310Cb	S31040	75	8	2	...	102	...	25Cr-20Ni-Cb	Welded pipe
SA-409	S31254	S31254	94	8	4	...	102	...	20Cr-18Ni-6Mo	Welded pipe
SA-409	TP316	S31600	75	8	1	...	102	...	16Cr-12Ni-2Mo	Welded pipe
SA-409	TP316L	S31603	70	8	1	...	102	...	16Cr-12Ni-2Mo	Welded pipe
SA-409	TP317	S31700	75	8	1	...	102	...	18Cr-13Ni-3Mo	Welded pipe
SA-409	S31725	S31725	75	8	4	...	102	...	19Cr-15Ni-4Mo	Welded pipe
SA-409	S31726	S31726	80	8	4	...	102	...	19Cr-15.5Ni-4Mo	Welded pipe
SA-409	TP321	S32100	75	8	1	...	102	...	18Cr-10Ni-Ti	Welded pipe
SA-409	TP347	S34700	75	8	1	...	102	...	18Cr-10Ni-Cb	Welded pipe
SA-409	TP348	S34800	75	8	1	...	102	...	18Cr-10Ni-Cb	Welded pipe
SA-414	A	K01501	45	1	1	...	101	...	C	Sheet
SA-414	B	K02201	50	1	1	...	101	...	C	Sheet
SA-414	C	K02503	55	1	1	...	101	...	C	Sheet

QW/QB-422 FERROUS P-NUMBERS AND S-NUMBERS
Grouping of Base Metals for Qualification

GENERAL NOTE: To convert from ksi to MPa, multiply tensile strength in table by 6.9.

Spec. No.	Type or Grade	UNS No.	Minimum Specified Tensile, ksi	Welding				Brazing		Nominal Composition	Product Form
				P- No.	Group No.	S- No.	Group No.	P- No.	S- No.		
SA-414	D	K02505	60	1	1	101	...	C-Mn	Sheet
SA-414	E	K02704	65	1	1	101	...	C-Mn	Sheet
SA-414	F	K03102	70	1	2	101	...	C-Mn	Sheet
SA-414	G	K03103	75	1	2	101	...	C-Mn	Sheet
SA-420	WPL6	K03006	60	1	1	101	...	C-Mn-Si	Piping fitting
SA-420	WPL9	K22035	63	9A	1	101	...	2Ni-1Cu	Piping fitting
SA-420	WPL3	K31918	65	9B	1	101	...	3.5Ni	Piping fitting
SA-420	WPL8	K81340	100	11A	1	101	...	9Ni	Piping fitting
SA-423	1	K11535	60	4	2	102	...	0.75Cr-0.5Ni-Cu	Smls. & welded tube
SA-423	2	K11540	60	4	2	102	...	0.75Ni-0.5Cu-Mo	Smls. & welded tube
SA-426	CP15	J11522	60	3	1	101	...	C-0.5Mo-Si	Centrifugal cast pipe
SA-426	CP2	J11547	60	3	1	101	...	0.5Cr-0.5Mo	Centrifugal cast pipe
SA-426	CP12	J11562	60	4	1	102	...	1Cr-0.5Mo	Centrifugal cast pipe
SA-426	CP11	J12072	70	4	1	102	...	1.25Cr-0.5Mo	Centrifugal cast pipe
SA-426	CP1	J12521	65	3	1	101	...	C-0.5Mo	Centrifugal cast pipe
SA-426	CP22	J21890	70	5A	1	102	...	2.25Cr-1Mo	Centrifugal cast pipe
SA-426	CP21	J31545	60	5A	1	102	...	3Cr-1Mo	Centrifugal cast pipe
SA-426	CP5	J42045	90	5B	1	102	...	5Cr-0.5Mo	Centrifugal cast pipe
SA-426	CP5b	J51545	60	5B	1	102	...	5Cr-1.5Si-0.5Mo	Centrifugal cast pipe
SA-426	CP9	J82090	90	5B	1	102	...	9Cr-1Mo	Centrifugal cast pipe
SA-426	CPCA15	J91150	90	6	3	102	...	13Cr	Centrifugal cast pipe
SA-430	FP16-8-2H	S16800	70	8	1	102	...	16Cr-8Ni-2Mo	Forged pipe
SA-430	FP304	S30400	70	8	1	102	...	18Cr-8Ni	Forged pipe
SA-430	FP304H	S30409	70	8	1	102	...	18Cr-8Ni	Forged pipe
SA-430	FP304N	S30451	75	8	1	102	...	18Cr-8Ni-N	Forged pipe
SA-430	FP316	S31600	70	8	1	102	...	16Cr-12Ni-2Mo	Forged pipe
SA-430	FP316H	S31609	70	8	1	102	...	16Cr-12Ni-2Mo	Forged pipe
SA-430	FP316N	S31651	75	8	1	102	...	16Cr-12Ni-2Mo-N	Forged pipe
SA-430	FP321	S32100	70	8	1	102	...	18Cr-10Ni-Ti	Forged pipe
SA-430	FP321H	S32109	70	8	1	102	...	18Cr-10Ni-Ti	Forged pipe
SA-430	FP347	S34700	70	8	1	102	...	18Cr-10Ni-Cb	Forged pipe

WELDING DATA

QW/QB-422

QW/QB-422 FERROUS P-NUMBERS AND S-NUMBERS
Grouping of Base Metals for Qualification

GENERAL NOTE: To convert from ksi to MPa, multiply tensile strength in table by 6.9.

Spec. No.	Type or Grade	UNS No.	Minimum Specified Tensile, ksi	Welding			Brazing		Nominal Composition	Product Form
				P-Group No.	S-Group No.	Group No.	P-No.	S-No.		
SA-430	FP347H	S34709	70	8	1	...	102	...	18Cr-10Ni-Cb	Forged pipe
A 441	1	K12211	70	1	...	101	Mn-Cu-V	Shapes
A 441	2	K12211	70	1	...	101	Mn-Cu-V	Shapes
A 446	A	...	45	1	...	101	C	Sheet
SA-451	CPF8	J92600	70	8	1	...	102	...	18Cr-8Ni	Centrifugal cast pipe
SA-451	CPF8A	J92600	77	8	1	...	102	...	18Cr-8Ni	Centrifugal cast pipe
SA-451	CPF8C	J92710	70	8	1	...	102	...	18Cr-10Ni-Cb	Centrifugal cast pipe
SA-451	CPF8M	J92900	70	8	1	...	102	...	18Cr-12Ni-2Mo	Centrifugal cast pipe
SA-451	CPF3	J92500	70	8	1	...	102	...	18Cr-8Ni	Centrifugal cast pipe
SA-451	CPF3M	J92800	70	8	1	...	102	...	16Cr-12Ni-2Mo	Centrifugal cast pipe
SA-451	CPF3A	J92500	77	8	1	...	102	...	18Cr-8Ni	Centrifugal cast pipe
SA-451	CPH8	J93400	65	8	2	...	102	...	25Cr-12Ni	Centrifugal cast pipe
SA-451	CPH20	J93402	70	8	2	...	102	...	25Cr-12Ni	Centrifugal cast pipe
SA-451	CPK20	J94202	65	8	2	...	102	...	25Cr-20Ni	Centrifugal cast pipe
A 451	CPF10MC	J92971	70	8	...	102	16Cr-14Ni-2Mo	Centrifugal cast pipe
A 451	CPE20N	...	80	8	...	102	25Cr-8Ni-N	Centrifugal cast pipe
SA-452	TP304H	S30409	75	8	1	...	102	...	18Cr-8Ni	Centrifugal cast pipe
SA-452	TP316H	S31609	75	8	1	...	102	...	16Cr-12Ni-2Mo	Centrifugal cast pipe
SA-452	TP347H	S34709	75	8	1	...	102	...	18Cr-10Ni-Cb	Centrifugal cast pipe
SA-455	...	K03300	70	1	2	...	101	...	C-Mn-Si	Plate > 0.580-0.750 in. (15-19 mm)
SA-455	...	K03300	73	1	2	...	101	...	C-Mn-Si	Plate > 0.375-0.580 in. (10-15 mm)
SA-455	...	K03300	75	1	2	...	101	...	C-Mn-Si	Plate, up to 0.375 in. (10 mm)
SA-479	XM-19	S20910	100	8	3	...	102	...	22Cr-13Ni-5Mn	Bars & shapes
SA-479	XM-17	S21600	90	8	3	...	102	...	19Cr-8Mn-6Ni-Mo-N	Bars & shapes

QW/QB-422 FERROUS P-NUMBERS AND S-NUMBERS
Grouping of Base Metals for Qualification

GENERAL NOTE: To convert from ksi to MPa, multiply tensile strength in table by 6.9.

Spec. No.	Type or Grade	UNS No.	Minimum Specified Tensile, ksi	Welding			Brazing		Nominal Composition	Product Form
				P- No.	Group No.	S- No.	P- No.	S- No.		
SA-479	XM-18	S21603	90	8	3	...	102	...	19Cr-8Mn-6Ni-Mo-N	Bars & shapes
SA-479	S21800	S21800	95	8	3	...	102	...	18Cr-8Ni-4Si-N	Bars & shapes
SA-479	XM-11	S21904	90	8	3	...	102	...	21Cr-6Ni-9Mn	Bars & shapes
SA-479	XM-29	S24000	100	8	3	...	102	...	18Cr-3Ni-12Mn	Bars & shapes
SA-479	302	S30200	75	8	1	...	102	...	18Cr-8Ni	Bars & shapes
SA-479	304	S30400	75	8	1	...	102	...	18Cr-8Ni	Bars & shapes
SA-479	304L	S30403	70	8	1	...	102	...	18Cr-8Ni	Bars & shapes
SA-479	304H	S30409	75	8	1	...	102	...	18Cr-8Ni	Bars & shapes
SA-479	304N	S30451	80	8	1	...	102	...	18Cr-8Ni-N	Bars & shapes
SA-479	304LN	S30453	75	8	1	...	102	...	18Cr-8Ni-N	Bars & shapes
SA-479	S30600	S30600	78	8	1	...	102	...	18Cr-15Ni-4Si	Bars & shapes
SA-479	S30815	S30815	87	8	2	...	102	...	21Cr-11Ni-N	Bars & shapes
SA-479	309S	S30908	75	8	2	...	102	...	23Cr-12Ni	Bars & shapes
SA-479	309Cb	S30940	75	8	2	...	102	...	23Cr-12Ni-Cb	Bars & shapes
SA-479	310S	S31008	75	8	2	...	102	...	25Cr-20Ni	Bars & shapes
SA-479	310Cb	S31040	75	8	2	...	102	...	25Cr-20Ni-Cb	Bars & shapes
SA-479	S31254	S31254	95	8	4	...	102	...	20Cr-18Ni-6Mo	Bars & shapes
SA-479	316	S31600	75	8	1	...	102	...	16Cr-12Ni-2Mo	Bars & shapes
SA-479	316L	S31603	70	8	1	...	102	...	16Cr-12Ni-2Mo	Bars & shapes
SA-479	316H	S31609	75	8	1	...	102	...	16Cr-12Ni-2Mo	Bars & shapes
SA-479	316Ti	S31635	75	8	1	...	102	...	16Cr-12Ni-2Mo-Ti	Bars & shapes
SA-479	316Cb	S31640	75	8	1	...	102	...	16Cr-12Ni-2Mo-Cb	Bars & shapes
SA-479	316N	S31651	80	8	1	...	102	...	16Cr-12Ni-2Mo-N	Bars & shapes
SA-479	316LN	S31653	75	8	1	...	102	...	16Cr-12Ni-2Mo-N	Bars & shapes
SA-479	S31725	S31725	75	8	4	...	102	...	19Cr-15Ni-4Mo	Bars & shapes
SA-479	S31726	S31726	80	8	4	...	102	...	19Cr-15.5Ni-4Mo	Bars & shapes
SA-479	321	S32100	75	8	1	...	102	...	18Cr-10Ni-Ti	Bars & shapes
SA-479	321H	S32109	75	8	1	...	102	...	18Cr-10Ni-Ti	Bars & shapes
SA-479	S32550	S32550	110	10H	1	...	102	...	25Cr-5Ni-3Mo-2Cu	Bars & shapes
SA-479	347	S34700	75	8	1	...	102	...	18Cr-10Ni-Cb	Bars & shapes
SA-479	347H	S34709	75	8	1	...	102	...	18Cr-10Ni-Cb	Bars & shapes
SA-479	348	S34800	75	8	1	...	102	...	18Cr-10Ni-Cb	Bars & shapes

WELDING DATA

QW/QB-422

QW/QB-422 FERROUS P-NUMBERS AND S-NUMBERS
Grouping of Base Metals for Qualification

GENERAL NOTE: To convert from ksi to MPa, multiply tensile strength in table by 6.9.

Spec. No.	Type or Grade	UNS No.	Minimum Specified Tensile, ksi	Welding		Brazing		Nominal Composition	Product Form
				P-Group No.	S-Group No.	P-No.	S-No.		
SA-479	348H	S34809	75	1	...	102	...	18Cr-10Ni-Cb	Bars & shapes
SA-479	403	S40300	70	1	...	102	...	12Cr	Bars & shapes
SA-479	405	S40500	60	1	...	102	...	12Cr-1Al	Bars & shapes
SA-479	410	S41000	70	1	...	102	...	13Cr	Bars & shapes
SA-479	414	S41400	115	6	...	102	...	12.5Cr-2Ni-Si	Bars & shapes
SA-479	S41500	S41500	115	6	...	102	...	13Cr-4.5Ni-Mo	Bars & shapes
SA-479	430	S43000	70	7	...	102	...	17Cr	Bars & shapes
SA-479	439	S43035	70	7	...	102	...	18Cr-Ti	Bars & shapes
SA-479	S44400	S44400	60	7	...	102	...	18Cr-2Mo	Bars & shapes
SA-479	XM-27	S44627	65	10I	...	102	...	27Cr-1Mo	Bars & shapes
SA-479	S44700	S44700	70	10J	...	102	...	29Cr-4Mo	Bars & shapes
SA-479	S44800	S44800	70	10K	...	102	...	29Cr-4Mo-2Ni	Bars & shapes
SA-487	Gr. 16, Cl. A	J13200	70	1	...	101	...	Low C-Mn-Ni	Castings
SA-487	Gr. 1, Cl. A	J13002	85	10A	...	101	...	Mn-V	Castings
SA-487	Gr. 1, Cl. B	J13002	90	10A	...	101	...	Mn-V	Castings
SA-487	Gr. 2, Cl. A	J13005	85	3	...	101	...	Mn-0.25Mo-V	Castings
SA-487	Gr. 2, Cl. B	J13005	90	3	...	101	...	Mn-0.25Mo-V	Castings
SA-487	Gr. 4, Cl. A	J13047	90	3	...	101	...	0.5Ni-0.5Cr-0.25Mo-V	Castings
SA-487	Gr. 4, Cl. B	J13047	105	11A	...	101	...	0.5Ni-0.5Cr-0.25Mo-V	Castings
SA-487	Gr. 4, Cl. E	J13047	115	11A	...	101	...	0.5Ni-0.5Cr-0.25Mo-V	Castings
SA-487	Gr. 8, Cl. A	J22091	85	5C	...	102	...	2.25Cr-1Mo	Castings
SA-487	Gr. 8, Cl. C	J22091	100	5C	...	102	...	2.25Cr-1Mo	Castings
SA-487	Gr. 8, Cl. B	J22091	105	5C	...	102	...	2.25Cr-1Mo	Castings
SA-487	CA15M Cl. A	J91151	90	6	...	102	...	13Cr	Castings
SA-487	CA15 Cl. C	J91150	90	6	...	102	...	13Cr	Castings
SA-487	CA15 Cl. B	J91171	90	6	...	102	...	13Cr	Castings
SA-487	CA15 Cl. D	J91171	100	6	...	102	...	13Cr	Castings
SA-487	CA6NM Cl. B	J91540	100	6	...	102	...	13Cr-4Ni	Castings
SA-487	CA6NM Cl. A	J91540	110	6	...	102	...	13Cr-4Ni	Castings
SA-494	CX2MW	N26022	80	44	...	112	...	59Ni-22Cr-14Mo-4Fe-3W	Castings

QW/QB-422 FERROUS P-NUMBERS AND S-NUMBERS
Grouping of Base Metals for Qualification

GENERAL NOTE: To convert from ksi to MPa, multiply tensile strength in table by 6.9.

Spec. No.	Type or Grade	UNS No.	Minimum Specified Tensile, ksi	Welding				Brazing		Nominal Composition	Product Form
				P-Group No.	S-Group No.	Group No.	P-No.	S-No.			
A 494	CW-6M	N30107	72	...	44	112	56Ni-19Mo-18Cr-2Fe	Castings	
A 500	C	K02705	62	...	1	1	...	101	C	Tube	
A 500	B	K03000	58	...	1	1	...	101	C	Tube	
A 501	...	K03000	58	...	1	1	...	101	C	Tube	
SA-508	3, Cl. 1	K12042	80	3	101	...	0.75Ni-0.5Mo-Cr-V	Forgings	
SA-508	3, Cl. 2	K12042	90	3	102	...	0.75Ni-0.5Mo-Cr-V	Forgings	
SA-508	2, Cl. 1	K12766	80	3	101	...	0.75Ni-0.5Mo-0.3Cr-V	Forgings	
SA-508	2, Cl. 2	K12766	90	3	101	...	0.75Ni-0.5Mo-0.3Cr-V	Forgings	
SA-508	1	K13502	70	1	2	...	101	...	C-Si	Forgings	
SA-508	1A	...	70	1	2	...	101	...	C-Mn-Si	Forgings	
SA-508	22, Cl. 3	K21590	85	5C	1	2.25Cr-1Mo	Forgings	
SA-508	4N, Cl. 3	K22375	90	3	102	...	3.5Ni-1.75Cr-0.5Mo-V	Forgings	
SA-508	4N, Cl. 1	K22375	105	11A	5	...	102	...	3.5Ni-1.75Cr-0.5Mo-V	Forgings	
SA-508	4N, Cl. 2	K22375	115	11A	5	...	102	...	3.5Ni-1.75Cr-0.5Mo-V	Forgings	
SA-508	3V	K31830	85	5C	1	...	102	...	3Cr-1Mo-V-Ti-B	Forgings	
SA-508	5, Cl. 1	K42365	105	11A	5	...	102	...	3.5Ni-1.75Cr-0.5Mo-V	Forgings	
SA-508	5, Cl. 2	K42365	115	11A	5	...	102	...	3.5Ni-1.75Cr-0.5Mo-V	Forgings	
A 513	1015 CW	G10150	65	1	...	101	C	Tube	
A 513	1020 CW	G10200	70	1	...	101	C	Tube	
A 513	1025 CW	G10250	75	1	...	101	C	Tube	
A 513	1026 CW	G10260	80	1	...	101	C	Tube	
A 514	F	K11576	110	11B	3	...	0.75Ni-0.5Cr-0.5Mo-V	Plate, 2 1/2 in. (64 mm) max.	
A 514	J	K11625	110	11B	6	...	C-0.5Mo	Plate, 1 1/4 in. (32 mm) max.	
A 514	B	K11630	110	11B	4	...	0.5Cr-0.2Mo-V	Plate, 1 1/4 in. (32 mm) max.	
A 514	D	K11662	110	11B	5	...	1Cr-0.2Mo-Si	Plate, 1 1/4 in. (32 mm) max.	
A 514	A	K11856	110	11B	1	...	0.5Cr-0.25Mo-Si	Plate, 1 1/4 in. (32 mm) max.	
A 514	E	K21604	100	11B	2	...	1.75Cr-0.5Mo-Cu	Plate > 2 1/2-6 in. (64-152 mm), incl.	
A 514	E	K21604	110	11B	2	...	1.75Cr-0.5Mo-Cu	Plate, 2 1/2 in. (64 mm) max.	
A 514	P	K21650	100	11B	8	...	1.25Ni-1Cr-0.5Mo	Plate > 2 1/2-6 in. (64-152 mm), incl.	

WELDING DATA

QW/QB-422

QW/QB-422 FERROUS P-NUMBERS AND S-NUMBERS
Grouping of Base Metals for Qualification

GENERAL NOTE: To convert from ksi to MPa, multiply tensile strength in table by 6.9.

Spec. No.	Type or Grade	UNS No.	Minimum Specified Tensile, ksi	Welding			Brazing		Nominal Composition	Product Form
				P-Group No.	S-Group No.	Group No.	P-No.	S-No.		
A 514	P	K21650	110	...	11B	8	...	102	1.25Ni-1Cr-0.5Mo	Plate, 2 1/2 in. (64 mm) max.
A 514	Q	...	100	...	11B	9	...	102	1.3Ni-1.3Cr-0.5Mo-V	Plate > 2 1/2-6 in. (64-152 mm), incl.
A 514	Q	...	110	...	11B	9	...	102	1.3Ni-1.3Cr-0.5Mo-V	Plate, 2 1/2 in. (64 mm) max.
SA-515	60	K02401	60	1	101	...	C-Si	Plate
SA-515	65	K02800	65	1	101	...	C-Si	Plate
SA-515	70	K03101	70	1	2	...	101	...	C-Si	Plate
SA-516	55	K01800	55	1	1	...	101	...	C-Si	Plate
SA-516	60	K02100	60	1	1	...	101	...	C-Mn-Si	Plate
SA-516	65	K02403	65	1	1	...	101	...	C-Mn-Si	Plate
SA-516	70	K02700	70	1	2	...	101	...	C-Mn-Si	Plate
SA-517	F	K11576	115	11B	3	...	101	...	0.75Ni-0.5Cr-0.5Mo-V	Plate ≤ 2 1/2 in. (64 mm)
SA-517	J	K11625	115	11B	6	...	101	...	C-0.5Mo	Plate ≤ 1 1/4 in. (32 mm)
SA-517	B	K11630	115	11B	4	...	101	...	0.5Cr-0.2Mo-V	Plate ≤ 1 1/4 in. (32 mm)
SA-517	A	K11856	115	11B	1	...	101	...	0.5Cr-0.25Mo-Si	Plate ≤ 1 1/4 in. (32 mm)
SA-517	E	K21604	105	11B	2	...	102	...	1.75Cr-0.5Mo-Cu	Plate > 2 1/2-6 in. (64-152 mm)
SA-517	E	K21604	115	11B	2	...	102	...	1.75Cr-0.5Mo-Cu	Plate ≤ 2 1/2 in. (64 mm)
SA-517	P	K21650	105	11B	8	...	102	...	1.25Ni-1Cr-0.5Mo	Plate > 2 1/2-4 in. (64-102 mm)
SA-517	P	K21650	115	11B	8	...	102	...	1.25Ni-1Cr-0.5Mo	Plate ≤ 2 1/2 in. (64 mm)
A 519	1018 HR	G10180	50	1	...	101	C	Tube
A 519	1018 CW	G10180	70	1	...	101	C	Tube
A 519	1020 HR	G10200	50	1	...	101	C	Tube
A 519	1020 CW	G10200	70	1	...	101	C	Tube
A 519	1022 HR	G10220	50	1	...	101	C	Tube
A 519	1022 CW	G10220	70	1	...	101	C	Tube
A 519	1025 HR	G10250	55	1	...	101	C	Tube
A 519	1025 CW	G10250	75	1	...	101	C	Tube
A 519	1026 HR	G10260	55	1	...	101	C	Tube
A 519	1026 CW	G10260	75	1	...	101	C	Tube

WELDING DATA

QW/QB-422

QW/QB-422 FERROUS P-NUMBERS AND S-NUMBERS
Grouping of Base Metals for Qualification

GENERAL NOTE: To convert from ksi to MPa, multiply tensile strength in table by 6.9.

Spec. No.	Type or Grade	UNS No.	Minimum Specified Tensile, ksi	Welding				Brazing		Nominal Composition	Product Form
				P-Group No.	S-Group No.	Group No.	P-No.	S-No.			
A 521	Cl. CC	...	60	...	1	1	1	...	101	C	Forgings
A 521	Cl. CE	...	75	...	1	2	2	...	101	C	Forgings
SA-522	Type II	K71340	100	11A	1	101	...	8Ni	Forgings
SA-522	Type I	K81340	100	11A	1	101	...	9Ni	Forgings
SA-524	II	K02104	55	1	1	101	...	C-Mn-Si	Smls. pipe
SA-524	I	K02104	60	1	1	101	...	C-Mn-Si	Smls. pipe
SA-533	Type A, Cl. 1	K12521	80	3	3	101	...	Mn-0.5Mo	Plate
SA-533	Type A, Cl. 2	K12521	90	3	3	101	...	Mn-0.5Mo	Plate
SA-533	Type A, Cl. 3	K12521	100	11A	4	101	...	Mn-0.5Mo	Plate
SA-533	Type D, Cl. 1	K12529	80	3	3	101	...	Mn-0.5Mo-0.25Ni	Plate
SA-533	Type D, Cl. 2	K12529	90	3	3	101	...	Mn-0.5Mo-0.25Ni	Plate
SA-533	Type D, Cl. 3	K12529	100	11A	4	101	...	Mn-0.5Mo-0.25Ni	Plate
SA-533	Type B, Cl. 1	K12539	80	3	3	101	...	Mn-0.5Mo-0.5Ni	Plate
SA-533	Type B, Cl. 2	K12539	90	3	3	101	...	Mn-0.5Mo-0.5Ni	Plate
SA-533	Type B, Cl. 3	K12539	100	11A	4	101	...	Mn-0.5Mo-0.5Ni	Plate
SA-533	Type C, Cl. 1	K12554	80	3	3	101	...	Mn-0.5Mo-0.75Ni	Plate
SA-533	Type C, Cl. 2	K12554	90	3	3	101	...	Mn-0.5Mo-0.75Ni	Plate
SA-533	Type C, Cl. 3	K12554	100	11A	4	101	...	Mn-0.5Mo-0.75Ni	Plate
SA-537	Cl. 1	K12437	65	1	2	101	...	C-Mn-Si	Plate > 2 1/2-4 in. (64-102 mm)
SA-537	Cl. 1	K12437	70	1	2	101	...	C-Mn-Si	Plate, 2 1/2 in. (64 mm) & under
SA-537	Cl. 2	K12437	70	1	3	101	...	C-Mn-Si	Plate > 4-6 in. (102-152 mm), incl.
SA-537	Cl. 2	K12437	75	1	3	101	...	C-Mn-Si	Plate > 2 1/2-4 in. (64-102 mm)
SA-537	Cl. 2	K12437	80	1	3	101	...	C-Mn-Si	Plate, 2 1/2 in. (64 mm) & under
SA-537	Cl. 3	K12437	70	1	3	101	...	C-Mn-Si	Plate > 4 in. (102 mm)
SA-537	Cl. 3	K12437	75	1	3	101	...	C-Mn-Si	Plate, 2 1/2 in. < t ≤ 4 in. (64 mm < t ≤ 102 mm)
SA-537	Cl. 3	K12437	80	1	3	101	...	C-Mn-Si	Plate ≤ 2 1/2 in. (64 mm)

QW/QB-422 FERROUS P-NUMBERS AND S-NUMBERS
Grouping of Base Metals for Qualification

GENERAL NOTE: To convert from ksi to MPa, multiply tensile strength in table by 6.9.

Spec. No.	Type or Grade	UNS No.	Minimum Specified Tensile, ksi	Welding				Brazing		Nominal Composition	Product Form
				P-Group No.	S-Group No.	Group No.	P-No.	S-No.			
SA-541	1	K03506	70	1	2	101	...	C-Si	Forgings
SA-541	1A	...	70	1	2	101	...	C-Mn-Si	Forgings
SA-541	11, Cl. 4	K11572	80	4	1	102	...	1.25Cr-0.5Mo-Si	Forgings
SA-541	3, Cl. 1	K12045	80	3	3	101	...	0.5Ni-0.5Mo-V	Forgings
SA-541	3, Cl. 2	K12045	90	3	3	101	...	0.5Ni-0.5Mo-V	Forgings
SA-541	2, Cl. 1	K12765	80	3	3	101	...	0.75Ni-0.5Mo-0.3Cr-V	Forgings
SA-541	2, Cl. 2	K12765	90	3	3	101	...	0.75Ni-0.5Mo-0.3Cr-V	Forgings
SA-541	22, Cl. 3	K21390	85	5C	1	102	...	2.25Cr-1Mo	Forgings
SA-541	22, Cl. 4	K21390	105	5C	4	102	...	2.25Cr-1Mo	Forgings
SA-541	22, Cl. 5	K21390	115	5C	5	102	...	2.25Cr-1Mo	Forgings
SA-541	3V	K31830	85	5C	1	102	...	3Cr-1Mo-V-Ti-B	Forgings
SA-541	22V	K31835	85	5C	1	2.25Cr-1Mo-V	Forgings
SA-542	B, Cl. 4a	K21590	85	5C	1	102	...	2.25Cr-1Mo	Plate
SA-542	A, Cl. 4	K21590	85	5C	1	102	...	2.25Cr-1Mo	Plate
SA-542	A, Cl. 4	K21590	85	5C	1	102	...	2.25Cr-1Mo	Plate
SA-542	A, Cl. 4a	K21590	85	5C	1	102	...	2.25Cr-1Mo	Plate
SA-542	A, Cl. 3	K21590	95	5C	3	102	...	2.25Cr-1Mo	Plate
SA-542	B, Cl. 3	K21590	95	5C	3	102	...	2.25Cr-1Mo	Plate
SA-542	A, Cl. 1	K21590	105	5C	4	102	...	2.25Cr-1Mo	Plate
SA-542	B, Cl. 1	K21590	105	5C	4	102	...	2.25Cr-1Mo	Plate
SA-542	B, Cl. 2	K21590	115	5C	5	102	...	2.25Cr-1Mo	Plate
SA-542	A, Cl. 2	K21590	115	5C	5	102	...	2.25Cr-1Mo	Plate
SA-542	C, Cl. 4	K31830	85	5C	1	102	...	3Cr-1Mo-V-Ti-B	Plate
SA-542	C, Cl. 4a	K31830	85	5C	1	102	...	3Cr-1Mo-V-Ti-B	Plate
SA-542	C, Cl. 3	K31830	95	5C	3	102	...	3Cr-1Mo-V-Ti-B	Plate
SA-542	C, Cl. 1	K31830	105	5C	4	102	...	3Cr-1Mo-V-Ti-B	Plate
SA-542	C, Cl. 2	K31830	115	5C	5	102	...	3Cr-1Mo-V-Ti-B	Plate
SA-542	D, Cl. 4a	K31835	85	5C	1	2.25Cr-1Mo-V	Plate
SA-543	B Cl. 3	K42339	90	11A	5	102	...	3Ni-1.75Cr-0.5Mo	Plate
SA-543	B Cl. 1	K42339	105	11A	5	102	...	3Ni-1.75Cr-0.5Mo	Plate
SA-543	B Cl. 2	K42339	115	11B	10	102	...	3Ni-1.75Cr-0.5Mo	Plate
SA-543	C Cl. 3	K42338	90	11A	5	102	...	2.75Ni-1.5Cr-0.5Mo	Plate

WELDING DATA

QW/QB-422

QW/QB-422 FERROUS P-NUMBERS AND S-NUMBERS
Grouping of Base Metals for Qualification

GENERAL NOTE: To convert from ksi to MPa, multiply tensile strength in table by 6.9.

Spec. No.	Type or Grade	UNS No.	Minimum Specified Tensile, ksi	Welding				Brazing		Nominal Composition	Product Form
				P-Group No.	S-Group No.	Group No.	P-No.	S-No.			
SA-543	C Cl. 1	K42338	105	11A	5	102	...	2.75Ni-1.5Cr-0.5Mo	Plate
SA-543	C Cl. 2	K42338	115	11B	10	102	...	2.75Ni-1.5Cr-0.5Mo	Plate
SA-553	II	K71340	100	11A	1	101	...	8Ni	Plate
SA-553	I	K81340	100	11A	1	101	...	9Ni	Plate
SA-556	A2	K01807	47	1	1	101	...	C	Smls. tube
SA-556	B2	K02707	60	1	1	101	...	C-Si	Smls. tube
SA-556	C2	K03006	70	1	2	101	...	C-Si	Smls. tube
SA-557	A2	K01807	47	1	1	101	...	C	E.R.W. tube
SA-557	B2	K03007	60	1	1	101	...	C	E.R.W. tube
SA-557	C2	K03505	70	1	2	101	...	C-Mn	E.R.W. tube
SA-562	...	K11224	55	1	1	101	...	C-Mn-Ti	Plate
A 570	30	K02502	49	1	1	...	101	C	Sheet & strip
A 570	33	K02502	52	1	1	...	101	C	Sheet & strip
A 570	36	K02502	53	1	1	...	101	C	Sheet & strip
A 570	40	K02502	55	1	1	...	101	C	Sheet & strip
A 570	45	K02507	60	1	1	...	101	C	Sheet & strip
A 570	50	K02507	65	1	1	...	101	C	Sheet & strip
A 572	42	...	60	1	1	...	101	C-Mn-Si	Plate & shapes
A 572	50	...	65	1	1	...	101	C-Mn-Si	Plate & shapes
A 572	60	...	75	1	2	...	101	C-Mn-Si	Plate & shapes
A 573	58	...	58	1	1	...	101	C	Plate
A 573	65	...	65	1	1	...	101	C	Plate
A 573	70	...	70	1	2	...	101	C	Plate
A 575	1	1	...	101	C	Bar
A 575	M 1008	1	1	...	101	C	Bar
A 575	M 1010	1	1	...	101	C	Bar
A 575	M 1012	1	1	...	101	C	Bar
A 575	M 1015	1	1	...	101	C	Bar
A 575	M 1017	1	1	...	101	C	Bar

QW/QB-422 FERROUS P-NUMBERS AND S-NUMBERS
Grouping of Base Metals for Qualification

GENERAL NOTE: To convert from ksi to MPa, multiply tensile strength in table by 6.9.

Spec. No.	Type or Grade	UNS No.	Minimum Specified Tensile, ksi	Welding			Brazing		Nominal Composition	Product Form
				P-Group No.	S-Group No.	Group No.	P-No.	S-No.		
A 575	M 1020	1	1	...	101	C	Bar
A 575	M 1023	1	1	...	101	C	Bar
A 575	M 1025	1	1	...	101	C	Bar
A 576	1	...	101	C	Bar
A 576	G10080	1	1	...	101	C	Bar
A 576	G10100	1	1	...	101	C	Bar
A 576	G10120	1	1	...	101	C	Bar
A 576	G10150	1	1	...	101	C	Bar
A 576	G10160	1	1	...	101	C	Bar
A 576	G10170	1	1	...	101	C	Bar
A 576	G10180	1	1	...	101	C	Bar
A 576	G10190	1	1	...	101	C	Bar
A 576	G10200	1	1	...	101	C	Bar
A 576	G10210	1	1	...	101	C	Bar
A 576	G10220	1	1	...	101	C	Bar
A 576	G10230	1	1	...	101	C	Bar
A 576	G10250	1	1	...	101	C	Bar
SA-587	K11500	48	1	1	...	101	...	C	E.R.W. pipe
A 588	A, a	K11430	63	...	3	1	...	101	Mn-0.5Cr-0.3Cu-Si-V	Plate & bar
A 588	A, b	K11430	67	...	3	1	...	101	Mn-0.5Cr-0.3Cu-Si-V	Plate & bar
A 588	A, c	K11430	70	...	3	1	...	101	Mn-0.5Cr-0.3Cu-Si-V	Plate & shapes
A 588	B, a	K12043	63	...	3	1	...	101	Mn-0.6Cr-0.3Cu-Si-V	Plate & bar
A 588	B, b	K12043	67	...	3	1	...	101	Mn-0.6Cr-0.3Cu-Si-V	Plate & bar
A 588	B, c	K12043	70	...	3	1	...	101	Mn-0.6Cr-0.3Cu-Si-V	Plate & shapes
SA-592	F	K11576	105	11B	3	...	101	...	0.75Ni-0.5Cr-0.5Mo-V	Forgings, 2 1/2-4 in. (64-102 mm)
SA-592	F	K11576	115	11B	3	...	101	...	0.75Ni-0.5Cr-0.5Mo-V	Forgings, 2 1/2 in. (64 mm) & under
SA-592	E	K11695	105	11B	2	...	102	...	1.75Cr-0.5Mo-Cu	Forgings, 2 1/2-4 in. (64-102 mm)
SA-592	E	K11695	115	11B	2	...	102	...	1.75Cr-0.5Mo-Cu	Forgings, 2 1/2 in. (64 mm) & under

WELDING DATA

QW/QB-422

QW/QB-422 FERROUS P-NUMBERS AND S-NUMBERS
Grouping of Base Metals for Qualification

GENERAL NOTE: To convert from ksi to MPa, multiply tensile strength in table by 6.9.

Spec. No.	Type or Grade	UNS No.	Minimum Specified Tensile, ksi	Welding				Brazing		Nominal Composition	Product Form
				P-Group No.	S-Group No.	Group No.	P-No.	S-No.			
SA-592	A	K11856	105	11B	1	101	...	0.5Cr-0.25Mo-Si	Forgings, 2 1/2-4 in. (64-102 mm)
SA-592	A	K11856	115	11B	1	101	...	0.5Cr-0.25Mo-Si	Forgings, 2 1/2 in. (64 mm) & under
A 611	A	G10170	42	1	101	C	Sheet
A 611	B	G10170	45	1	101	C	Sheet
A 611	C	G10170	48	1	101	C	Sheet
SA-612	...	K02900	81	10C	1	101	...	C-Mn-Si	Plate > 1/2-1 in. (13-25 mm)
SA-612	...	K02900	83	10C	1	101	...	C-Mn-Si	Plate, 1/2 in. (13 mm) & under
A 618	II, b	K12609	67	1	2	...	101	Mn-Cu-V	Tube > 3/4-1 1/2 in. (19-38 mm)
A 618	II, a	K12609	70	1	2	...	101	Mn-Cu-V	Tube, 3/4 in. (19 mm) & under
A 618	III	K12700	65	1	1	...	101	Mn-V	Tube
SA-620	...	K00040	40	1	101	...	C	Sheet
A 633	A	K01802	63	1	1	...	101	Mn-Cb	Plate & shapes
A 633	C b	K12000	65	1	1	...	101	Mn-Cb	Plate > 2 1/2-4 in. (64-102 mm), shapes
A 633	C a	K12000	70	1	2	...	101	Mn-Cb	Plate to 2 1/2 in. (64 mm), shapes
A 633	D b	K12037	65	1	1	...	101	Mn-Cr-Ni-Cu	Plate > 2 1/2-4 in. (64-102 mm), shapes
A 633	D a	K12037	70	1	2	...	101	Mn-Cr-Ni-Cu	Plate to 2 1/2 in. (64 mm), shapes
A 633	E	K12202	80	1	3	...	101	C-Mn-Si-V	Plate & shapes
SA-645	...	K41583	95	11A	2	101	...	5Ni-0.25Mo	Plate
SA-660	WCA	J02504	60	1	1	101	...	C-Si	Centrifugal cast pipe
SA-660	WCC	J02505	70	1	2	101	...	C-Mn-Si	Centrifugal cast pipe

QW/QB-422 FERROUS P-NUMBERS AND S-NUMBERS
Grouping of Base Metals for Qualification

GENERAL NOTE: To convert from ksi to MPa, multiply tensile strength in table by 6.9.

Spec. No.	Type or Grade	UNS No.	Minimum Specified Tensile, ksi	Welding			Brazing		Nominal Composition	Product Form	
				P- No.	Group No.	S- No.	Group No.	P- No.			S- No.
SA-660	WCB	J03003	70	1	2	101	...	C-Si	Centrifugal cast pipe
SA-662	A	K01701	58	1	1	101	...	C-Mn-Si	Plate
SA-662	C	K02007	70	1	2	101	...	C-Mn-Si	Plate
SA-662	B	K02203	65	1	1	101	...	C-Mn-Si	Plate
A 663	1	101	C	Bar
SA-666	201	S20100	95	8	3	102	...	17Cr-4Ni-6Mn	Plate, sheet, & strip
SA-666	XM-11	S21904	90	8	3	102	...	21Cr-6Ni-9Mn	Plate, sheet, & strip
SA-666	302	S30200	75	8	1	102	...	18Cr-8Ni	Plate, sheet, & strip
SA-666	304	S30400	75	8	1	102	...	18Cr-8Ni	Plate, sheet, & strip
SA-666	304L	S30403	70	8	1	102	...	18Cr-8Ni	Plate, sheet, & strip
SA-666	304N	S30451	80	8	1	102	...	18Cr-8Ni-N	Plate, sheet, & strip
SA-666	304LN	S30453	80	8	1	102	...	18Cr-8Ni-N	Plate, sheet, & strip
SA-666	316	S31600	75	8	1	102	...	16Cr-12Ni-2Mo	Plate, sheet, & strip
SA-666	316L	S31603	70	8	1	102	...	16Cr-12Ni-2Mo	Plate, sheet, & strip
SA-666	316N	S31651	80	8	1	102	...	16Cr-12Ni-2Mo-N	Plate, sheet, & strip
A 668	Cl. B	G10200	60	1	101	C	Forgings
A 668	Cl. C	G10250	66	1	101	C	Forgings
A 668	Cl. D	G10300	75	1	101	C-Mn	Forgings
A 668	Cl. F b	...	85	1	101	C-Mn	Forgings > 4-10 in. (102-254 mm)
A 668	Cl. F a	...	90	1	101	C-Mn	Forgings, to 4 in. (102 mm)
A 668	Cl. K b	...	100	4	101	C	Forgings > 7-10 in. (178-254 mm)
A 668	Cl. K a	...	105	4	101	C	Forgings, to 7 in. (178 mm)
A 668	Cl. L c	...	110	4	101	C	Forgings > 7-10 in. (178-254 mm)
A 668	Cl. L b	...	115	4	101	C	Forgings > 4-7 in. (102-178 mm)
A 668	Cl. L a	...	125	4	101	C	Forgings, to 4 in. (102 mm)
SA-671	CC60	K02100	60	1	1	101	...	C-Mn-Si	Fusion welded pipe

QW/QB-422 FERROUS P-NUMBERS AND S-NUMBERS
Grouping of Base Metals for Qualification

GENERAL NOTE: To convert from ksi to MPa, multiply tensile strength in table by 6.9.

Spec. No.	Type or Grade	UNS No.	Minimum Specified Tensile, ksi	Welding				Brazing		Nominal Composition	Product Form
				P-Group No.	S-Group No.	Group No.	P-No.	S-No.			
SA-671	CE55	K02202	55	1	1	101	...	C-Mn-Si	Fusion welded pipe
SA-671	CD70	K12437	70	1	2	101	...	C-Mn-Si	Fusion welded pipe
SA-671	CD80	K12437	80	1	3	101	...	C-Mn-Si	Fusion welded pipe
SA-671	CB60	K02401	60	1	1	101	...	C-Si	Fusion welded pipe
SA-671	CE60	K02402	60	1	1	101	...	C-Mn-Si	Fusion welded pipe
SA-671	CC65	K02403	65	1	1	101	...	C-Mn-Si	Fusion welded pipe
SA-671	CC70	K02700	70	1	2	101	...	C-Mn-Si	Fusion welded pipe
SA-671	CB65	K02800	65	1	1	101	...	C-Si	Fusion welded pipe
SA-671	CA55	K02801	55	1	1	101	...	C	Fusion welded pipe
SA-671	CK75	K02803	75	1	2	101	...	C-Mn-Si	Fusion welded pipe
SA-671	CB70	K03101	70	1	2	101	...	C-Si	Fusion welded pipe
SA-672	A45	K01700	45	1	1	101	...	C	Fusion welded pipe
SA-672	C55	K01800	55	1	1	101	...	C-Si	Fusion welded pipe
SA-672	B55	K02001	55	1	1	101	...	C-Si	Fusion welded pipe
SA-672	C60	K02100	60	1	1	101	...	C-Mn-Si	Fusion welded pipe
SA-672	A50	K02200	50	1	1	101	...	C	Fusion welded pipe
SA-672	E55	K02202	55	1	1	101	...	C	Fusion welded pipe
SA-672	D70	K12437	70	1	2	101	...	C-Mn-Si	Fusion welded pipe
SA-672	D80	K12437	80	1	3	101	...	C-Mn-Si	Fusion welded pipe
SA-672	B60	K02401	60	1	1	101	...	C-Si	Fusion welded pipe
SA-672	E60	K02402	60	1	1	101	...	C-Mn-Si	Fusion welded pipe
SA-672	C65	K02403	65	1	1	101	...	C-Mn-Si	Fusion welded pipe
SA-672	C70	K02700	70	1	2	101	...	C-Mn-Si	Fusion welded pipe
SA-672	B65	K02800	65	1	1	101	...	C-Si	Fusion welded pipe
SA-672	A55	K02801	55	1	1	101	...	C	Fusion welded pipe
SA-672	N75	K02803	75	1	2	101	...	C-Mn-Si	Fusion welded pipe
SA-672	B70	K03101	70	1	2	101	...	C-Si	Fusion welded pipe
SA-672	L65	K11820	65	3	1	101	...	C-0.5Mo	Fusion welded pipe
SA-672	L70	K12020	70	3	2	101	...	C-0.5Mo	Fusion welded pipe
SA-672	H75	K12021	75	3	2	101	...	Mn-0.5Mo	Fusion welded pipe
SA-672	H80	K12022	80	3	3	101	...	Mn-0.5Mo	Fusion welded pipe

WELDING DATA

QW/QB-422

QW/QB-422 FERROUS P-NUMBERS AND S-NUMBERS
Grouping of Base Metals for Qualification

GENERAL NOTE: To convert from ksi to MPa, multiply tensile strength in table by 6.9.

Spec. No.	Type or Grade	UNS No.	Minimum Specified Tensile, ksi	Welding				Brazing		Nominal Composition	Product Form
				P- No.	Group No.	S- No.	Group No.	P- No.	S- No.		
SA-672	L75	K12320	75	3	2	101	...	C-0.5Mo	Fusion welded pipe
SA-672	J100	K12521	100	11A	4	101	...	Mn-0.5Mo	Fusion welded pipe
SA-672	J80	K12554	80	3	3	101	...	Mn-0.5Mo-0.75Ni	Fusion welded pipe
SA-672	J90	K12554	90	3	3	101	...	Mn-0.5Mo-0.75Ni	Fusion welded pipe
SA-675	45	...	45	1	1	101	...	C	Bar
SA-675	50	...	50	1	1	101	...	C	Bar
SA-675	55	...	55	1	1	101	...	C	Bar
SA-675	60	...	60	1	1	101	...	C	Bar
SA-675	65	...	65	1	1	101	...	C	Bar
SA-675	70	...	70	1	2	101	...	C	Bar
A 675	75	...	75	1	2	...	101	C	Bar
SA-688	XM-29	S24000	100	8	3	102	...	18Cr-3Ni-12Mn	Welded tube
SA-688	TP304	S30400	75	8	1	102	...	18Cr-8Ni	Welded tube
SA-688	TP304L	S30403	70	8	1	102	...	18Cr-8Ni	Welded tube
SA-688	TP304N	S30451	80	8	1	102	...	18Cr-8Ni-N	Welded tube
SA-688	TP304LN	S30453	75	8	1	102	...	18Cr-8Ni-N	Welded tube
SA-688	TP316	S31600	75	8	1	102	...	16Cr-12Ni-2Mo	Welded tube
SA-688	TP316L	S31603	70	8	1	102	...	16Cr-12Ni-2Mo	Welded tube
SA-688	TP316N	S31651	80	8	1	102	...	16Cr-12Ni-2Mo-N	Welded tube
SA-688	TP316LN	S31653	75	8	1	102	...	16Cr-12Ni-2Mo-N	Welded tube
SA-691	CMSH-70	K12437	65	1	2	101	...	C-Mn-Si	Fusion welded pipe > 2 1/2-4 in. (64-102 mm)
SA-691	CMSH-70	K12437	70	1	2	101	...	C-Mn-Si	Fusion welded pipe ≤ 2 1/2 in. (64 mm)
SA-691	CMSH-80	K12437	75	1	3	101	...	C-Mn-Si	Fusion welded pipe > 2 1/2-4 in. (64-102 mm)
SA-691	CMSH-80	K12437	80	1	3	101	...	C-Mn-Si	Fusion welded pipe ≤ 2 1/2 in. (64 mm)
SA-691	CMS-75	K02803	75	1	2	101	...	C-Mn-Si	Fusion welded pipe
SA-691	1CR, Cl. 1	K11757	55	4	1	102	...	1Cr-0.5Mo	Fusion welded pipe
SA-691	1CR, Cl. 2	K11757	65	4	1	102	...	1Cr-0.5Mo	Fusion welded pipe

QW/QB-422 FERROUS P-NUMBERS AND S-NUMBERS
Grouping of Base Metals for Qualification

GENERAL NOTE: To convert from ksi to MPa, multiply tensile strength in table by 6.9.

Spec. No.	Type or Grade	UNS No.	Minimum Specified Tensile, ksi	Welding						Brazing		Nominal Composition	Product Form
				P-Group No.	S-Group No.	S-Group No.	Group No.	P-No.	S-No.	P-No.	S-No.		
SA-691	1.25CR, Cl. 1	K11789	60	4	1	102	...	1.25Cr-0.5Mo-Si	Fusion welded pipe
SA-691	1.25CR, Cl. 2	K11789	75	4	1	102	...	1.25Cr-0.5Mo-Si	Fusion welded pipe
SA-691	CM-65	K11820	65	3	1	101	...	C-0.5Mo	Fusion welded pipe
SA-691	CM-70	K12020	70	3	2	101	...	C-0.5Mo	Fusion welded pipe
SA-691	0.5CR, Cl. 1	K12143	55	3	1	101	...	0.5Cr-0.5Mo	Fusion welded pipe
SA-691	0.5CR, Cl. 2	K12143	70	3	2	101	...	0.5Cr-0.5Mo	Fusion welded pipe
SA-691	CM-75	K12320	75	3	2	101	...	C-0.5Mo	Fusion welded pipe
SA-691	2.25CR, Cl. 1	K21590	60	5A	1	102	...	2.25Cr-1Mo	Fusion welded pipe
SA-691	2.25CR, Cl. 2	K21590	75	5A	1	102	...	2.25Cr-1Mo	Fusion welded pipe
SA-691	3CR, Cl. 1	K31545	60	5A	1	102	...	3Cr-1Mo	Fusion welded pipe
SA-691	3CR, Cl. 2	K31545	75	5A	1	102	...	3Cr-1Mo	Fusion welded pipe
SA-691	5CR, Cl. 1	K41545	60	5B	1	102	...	5Cr-0.5Mo	Fusion welded pipe
SA-691	5CR, Cl. 2	K41545	75	5B	1	102	...	5Cr-0.5Mo	Fusion welded pipe
A 691	9CR, Cl. 2	...	85	5B	2	9Cr-1Mo-V	Fusion welded pipe
A 694	F42	K03014	60	1	1	101	C-Mn	Forgings
A 694	F46	K03014	60	1	1	101	C-Mn	Forgings
A 694	F52	K03014	66	1	1	101	C-Mn	Forgings
A 694	F56	K03014	68	1	2	101	C-Mn	Forgings
A 694	F60	K03014	75	1	2	101	C-Mn	Forgings
A 694	F65	K03014	77	1	2	101	C-Mn	Forgings
A 694	F70	K03014	82	1	3	101	C-Mn	Forgings
SA-695	Type B, Gr. 35	K03504	60	1	1	101	...	C-Mn-Si	Bar
SA-695	Type B, Gr. 40	K03504	70	1	2	101	...	C-Mn-Si	Bar
SA-696	B	K03200	60	1	1	101	...	C-Mn-Si	Bar
SA-696	C	K03200	70	1	2	101	...	C-Mn-Si	Bar
A 714	Gr. V, Tp. E	K22035	65	9A	1	102	2Ni-1Cu	Smis. & welded pipe
A 714	Gr. V	K22035	65	9A	1	102	2Ni-1Cu	Smis. & welded pipe
SA-724	A	K11831	90	1	4	101	...	C-Mn-Si	Plate
SA-724	B	K12031	95	1	4	101	...	C-Mn-Si	Plate

WELDING DATA

QW/QB-422

QW/QB-422 FERROUS P-NUMBERS AND S-NUMBERS
Grouping of Base Metals for Qualification

GENERAL NOTE: To convert from ksi to MPa, multiply tensile strength in table by 6.9.

Spec. No.	Type or Grade	UNS No.	Minimum Specified Tensile, ksi	Welding		Brazing		Nominal Composition	Product Form
				P-Group No.	S-Group No.	P-Group No.	S-Group No.		
SA-724	C	K12037	90	1	4	...	101	C-Mn-Si	Plate
SA-727	...	K02506	60	1	1	...	101	C-Mn-Si	Forgings
SA-731	S41500	S41500	115	6	4	...	102	13Cr-4.5Ni-Mo	Smls. & welded pipe
SA-731	TP439	S43035	60	7	2	...	102	18Cr-Ti	Smls. & welded pipe
SA-731	18Cr-2Mo	S4400	60	7	2	...	102	18Cr-2Mo	Smls. & welded pipe
SA-731	TPXM-33	S44626	65	10I	1	...	102	27Cr-1Mo-Ti	Smls. & welded pipe
SA-731	TPXM-27	S44627	65	10I	1	...	102	27Cr-1Mo	Smls. & welded pipe
SA-731	S44660	S44660	85	10K	1	...	102	26Cr-3Ni-3Mo	Smls. & welded pipe
SA-731	S44700	S44700	80	10J	1	...	102	29Cr-4Mo	Smls. & welded pipe
SA-731	S44800	S44800	80	10K	1	...	102	29Cr-4Mo-2Ni	Smls. & welded pipe
SA-737	B	K12001	70	1	2	...	101	C-Mn-Si-Cb	Plate
SA-737	C	K12202	80	1	3	...	101	C-Mn-Si-V	Plate
SA-738	A	K12447	75	1	2	...	101	C-Mn-Si	Plate
SA-738	B	K12001	85	1	3	...	101	C-Mn-Si	Plate, 2 1/2 in. (64 mm) & under
SA-738	C	...	70	1	3	...	101	C-Mn-Si	Plate > 4-6 in. (102-152 mm), incl.
SA-738	C	...	75	1	3	...	101	C-Mn-Si	Plate > 2 1/2-4 in. (64-102 mm)
SA-738	C	...	80	1	3	...	101	C-Mn-Si	Plate, 2 1/2 in. (64 mm) & under
SA-739	B11	K11797	70	4	1	...	102	1.25Cr-0.5Mo	Bar
SA-739	B22	K21390	75	5A	1	...	102	2.25Cr-1Mo	Bar
SA-765	I	K03046	60	1	1	...	101	C-Mn-Si	Forgings
SA-765	II	K03047	70	1	2	...	101	C-Mn-Si	Forgings
SA-765	III	K32026	70	9B	1	...	101	3.5Ni	Forgings
SA-789	S31200	S31200	100	10H	1	...	102	25Cr-6Ni-Mo-N	Smls. & welded tube
SA-789	S31260	S31260	100	10H	1	...	102	25Cr-6.5Ni-3Mo-N	Smls. & welded tube
SA-789	S31500	S31500	92	10H	1	...	102	18Cr-5Ni-3Mo-N	Smls. & welded tube

QW/QB-422 FERROUS P-NUMBERS AND S-NUMBERS
Grouping of Base Metals for Qualification

GENERAL NOTE: To convert from ksi to MPa, multiply tensile strength in table by 6.9.

Spec. No.	Type or Grade	UNS No.	Minimum Specified Tensile, ksi	Welding				Brazing		Nominal Composition	Product Form
				P-Group No.	S-Group No.	Group No.	P-No.	S-No.			
									P-Group No.		
SA-789	S31803	S31803	90	10H	1	102	...	22Cr-5Ni-3Mo-N	Smls. & welded tube
SA-789	S32304	S32304	87	10H	1	102	...	23Cr-4Ni-Mo-Cu-N	Smls. & welded tube > 1 in. (25 mm)
SA-789	S32304	S32304	100	10H	1	102	...	23Cr-4Ni-Mo-Cu-N	Smls. & welded tube ≤ 1 in. (25 mm)
SA-789	S32550	S32550	110	10H	1	102	...	25Cr-5Ni-3Mo-2Cu	Smls. & welded tube
SA-789	S32750	S32750	116	10H	1	102	...	25Cr-7Ni-4Mo-N	Smls. & welded tube
SA-789	S32900	S32900	90	10H	1	102	...	26Cr-4Ni-Mo	Smls. & welded tube
SA-789	S32950	S32950	100	10H	1	102	...	26Cr-4Ni-Mo-N	Smls. & welded tube
SA-789	S32760	S32760	109	10H	1	...	102	25Cr-8Ni-3Mo-W-Cu-N	Smls. & welded tube
SA-790	S31200	S31200	100	10H	1	102	...	25Cr-6Ni-Mo-N	Smls. & welded pipe
SA-790	S31260	S31260	100	10H	1	102	...	25Cr-6.5Ni-3Mo-N	Smls. & welded pipe
SA-790	S31500	S31500	92	10H	1	102	...	18Cr-5Ni-3Mo-N	Smls. & welded pipe
SA-790	S31803	S31803	90	10H	1	102	...	22Cr-5Ni-3Mo-N	Smls. & welded pipe
SA-790	S32304	S32304	87	10H	1	102	...	23Cr-4Ni-Mo-Cu-N	Smls. & welded pipe
SA-790	S32550	S32550	110	10H	1	102	...	25Cr-5Ni-3Mo-2Cu	Smls. & welded pipe
SA-790	S32750	S32750	116	10H	1	102	...	25Cr-7Ni-4Mo-N	Smls. & welded tube
SA-790	S32900	S32900	90	10H	1	102	...	26Cr-4Ni-Mo	Smls. & welded pipe
SA-790	S32950	S32950	100	10H	1	102	...	26Cr-4Ni-Mo-N	Smls. & welded pipe
SA-790	S32760	S32760	109	10H	1	...	102	25Cr-8Ni-3Mo-W-Cu-N	Smls. & welded tube
SA-803	TP439	S43035	60	7	2	102	...	18Cr-Ti	Welded tube
SA-803	26-3-3	S44660	85	10K	1	102	...	26Cr-3Ni-3Mo	Welded tube
SA-813	TPXM-19	S20910	100	8	3	102	...	22Cr-13Ni-5Mn	Welded pipe
SA-813	TPXM-11	S21904	90	8	3	102	...	21Cr-6Ni-9Mn	Welded pipe
SA-813	TPXM-29	S24000	100	8	3	102	...	18Cr-3Ni-12Mn	Welded pipe
SA-813	TP304	S30400	75	8	1	102	...	18Cr-8Ni	Welded pipe
SA-813	TP304L	S30403	70	8	1	102	...	18Cr-8Ni	Welded pipe
SA-813	TP304H	S30409	75	8	1	102	...	18Cr-8Ni	Welded pipe
SA-813	TP304N	S30451	80	8	1	102	...	18Cr-8Ni-N	Welded pipe

WELDING DATA

QW/QB-422

QW/QB-422 FERROUS P-NUMBERS AND S-NUMBERS
Grouping of Base Metals for Qualification

GENERAL NOTE: To convert from ksi to MPa, multiply tensile strength in table by 6.9.

Spec. No.	Type or Grade	UNS No.	Minimum Specified Tensile, ksi	Welding			Brazing		Nominal Composition	Product Form	
				P- No.	Group No.	S- No.	P- No.	S- No.			
SA-813	TP304LN	S30453	75	8	1	102	...	18Cr-8Ni-N	Welded pipe
SA-813	S30815	S30815	87	8	2	102	...	21Cr-11Ni-N	Welded pipe
SA-813	TP309S	S30908	75	8	2	102	...	23Cr-12Ni	Welded pipe
SA-813	TP309Cb	S30940	75	8	2	102	...	23Cr-12Ni-Cb	Welded pipe
SA-813	TP310S	S31008	75	8	2	102	...	25Cr-20Ni	Welded pipe
SA-813	TP310Cb	S31040	75	8	2	102	...	25Cr-20Ni-Cb	Welded pipe
SA-813	S31254	S31254	94	8	4	102	...	20Cr-18Ni-6Mo	Welded pipe
SA-813	TP316	S31600	75	8	1	102	...	16Cr-12Ni-2Mo	Welded pipe
SA-813	TP316L	S31603	70	8	1	102	...	16Cr-12Ni-2Mo	Welded pipe
SA-813	TP316H	S31609	75	8	1	102	...	16Cr-12Ni-2Mo	Welded pipe
SA-813	TP316N	S31651	80	8	1	102	...	16Cr-12Ni-2Mo-N	Welded pipe
SA-813	TP316LN	S31653	75	8	1	102	...	16Cr-12Ni-2Mo-N	Welded pipe
SA-813	TP317	S31700	75	8	1	102	...	18Cr-13Ni-3Mo	Welded pipe
SA-813	TP317L	S31703	75	8	1	102	...	18Cr-13Ni-3Mo	Welded pipe
SA-813	TP321	S32100	75	8	1	102	...	18Cr-10Ni-Ti	Welded pipe
SA-813	TP321H	S32109	75	8	1	102	...	18Cr-10Ni-Ti	Welded pipe
SA-813	TP347	S34700	75	8	1	102	...	18Cr-10Ni-Cb	Welded pipe
SA-813	TP347H	S34709	75	8	1	102	...	18Cr-10Ni-Cb	Welded pipe
SA-813	TP348	S34800	75	8	1	102	...	18Cr-10Ni-Cb	Welded pipe
SA-813	TP348H	S34809	75	8	1	102	...	18Cr-10Ni-Cb	Welded pipe
SA-813	TPXM-15	S38100	75	8	1	102	...	18Cr-18Ni-2Si	Welded pipe
SA-814	TPXM-19	S20910	100	8	3	102	...	22Cr-13Ni-5Mn	Cold worked welded pipe
SA-814	TPXM-11	S21904	90	8	3	102	...	21Cr-6Ni-9Mn	Cold worked welded pipe
SA-814	TPXM-29	S24000	100	8	3	102	...	18Cr-3Ni-12Mn	Cold worked welded pipe
SA-814	TP304	S30400	75	8	1	102	...	18Cr-8Ni	Cold worked welded pipe
SA-814	TP304L	S30403	70	8	1	102	...	18Cr-8Ni	Cold worked welded pipe
SA-814	TP304H	S30409	75	8	1	102	...	18Cr-8Ni	Cold worked welded pipe
SA-814	TP304N	S30451	80	8	1	102	...	18Cr-8Ni-N	Cold worked welded pipe
SA-814	TP304LN	S30453	75	8	1	102	...	18Cr-8Ni-N	Cold worked welded pipe
SA-814	S30815	S30815	87	8	2	102	...	21Cr-11Ni-N	Cold worked welded pipe
SA-814	TP309S	S30908	75	8	2	102	...	23Cr-12Ni	Cold worked welded pipe

QW/QB-422 FERROUS P-NUMBERS AND S-NUMBERS
Grouping of Base Metals for Qualification

GENERAL NOTE: To convert from ksi to MPa, multiply tensile strength in table by 6.9.

Spec. No.	Type or Grade	UNS No.	Minimum Specified Tensile, ksi	Welding				Brazing		Nominal Composition	Product Form
				P- No.	Group No.	S- No.	Group No.	P- No.	S- No.		
SA-814	TP309Cb	S30940	75	8	2	102	...	23Cr-12Ni-Cb	Cold worked welded pipe
SA-814	TP310S	S31008	75	8	2	102	...	25Cr-20Ni	Cold worked welded pipe
SA-814	TP310Cb	S31040	75	8	2	102	...	25Cr-20Ni-Cb	Cold worked welded pipe
SA-814	S31254	S31254	94	8	4	102	...	20Cr-18Ni-6Mo	Cold worked welded pipe
SA-814	TP316	S31600	75	8	1	102	...	16Cr-12Ni-2Mo	Cold worked welded pipe
SA-814	TP316L	S31603	70	8	1	102	...	16Cr-12Ni-2Mo	Cold worked welded pipe
SA-814	TP316H	S31609	75	8	1	102	...	16Cr-12Ni-2Mo	Cold worked welded pipe
SA-814	TP316N	S31651	80	8	1	102	...	16Cr-12Ni-2Mo-N	Cold worked welded pipe
SA-814	TP316LN	S31653	75	8	1	102	...	16Cr-12Ni-2Mo-N	Cold worked welded pipe
SA-814	TP317	S31700	75	8	1	102	...	18Cr-13Ni-3Mo	Cold worked welded pipe
SA-814	TP317L	S31703	75	8	1	102	...	18Cr-13Ni-3Mo	Cold worked welded pipe
SA-814	TP321	S32100	75	8	1	102	...	18Cr-10Ni-Ti	Cold worked welded pipe
SA-814	TP321H	S32109	75	8	1	102	...	18Cr-10Ni-Ti	Cold worked welded pipe
SA-814	TP347	S34700	75	8	1	102	...	18Cr-10Ni-Cb	Cold worked welded pipe
SA-814	TP347H	S34709	75	8	1	102	...	18Cr-10Ni-Cb	Cold worked welded pipe
SA-814	TP348	S34800	75	8	1	102	...	18Cr-10Ni-Cb	Cold worked welded pipe
SA-814	TP348H	S34809	75	8	1	102	...	18Cr-10Ni-Cb	Cold worked welded pipe
SA-814	TPXM-15	S38100	75	8	1	102	...	18Cr-18Ni-2Si	Cold worked welded pipe
SA-815	S31803	S31803	90	10H	1	102	...	22Cr-5Ni-3Mo-N	Fittings
SA-815	S41500	S41500	110	6	4	102	...	13Cr-4.5Ni-Mo	Fittings
SA-815	S32760	S32760	109	10H	1	...	102	25Cr-8Ni-3Mo-W-Cu-N	Fittings
SA-832	21V	K31830	85	5C	1	102	...	3Cr-1Mo-V-Ti-B	Plate
SA-832	22V	K31835	85	5C	1	2.25Cr-1Mo-V	Plate
SA-836	55	1	1	101	...	C-Si-Ti	Forgings
A 890	CD3MWCuN	J93380	100	10H	1	...	102	25Cr-8Ni-3Mo-W-Cu-N	Castings
A 928	...	S32760	109	10H	1	...	102	25Cr-8Ni-3Mo-W-Cu-N	Welded pipe
API 5L	A25, Cl. I	...	45	1	1	...	101	C-Mn	Smls. & welded pipe & tubes
API 5L	A25, Cl. II	...	45	1	1	...	101	C-Mn	Smls. & welded pipe & tubes
API 5L	A	...	48	1	1	...	101	C-Mn	Smls. & welded pipe & tubes

WELDING DATA

QW/QB-422

QW/QB-422 FERROUS P-NUMBERS AND S-NUMBERS
Grouping of Base Metals for Qualification

GENERAL NOTE: To convert from ksi to MPa, multiply tensile strength in table by 6.9.

Spec. No.	Type or Grade	UNS No.	Minimum Specified Tensile, ksi	Welding			Brazing		Nominal Composition	Product Form
				P- No.	Group No.	S- No.	P- No.	S- No.		
API 5L	B	...	60	...	1	1	...	101	C-Mn	Smls. & welded pipe & tubes
API 5L	X42	...	60	...	1	1	...	101	C-Mn	Smls. & welded pipe & tubes
API 5L	X46	...	63	...	1	1	...	101	C-Mn	Smls. & welded pipe & tubes
API 5L	X52	...	66	...	1	1	...	101	C-Mn	Smls. & welded pipe & tubes
API 5L	X56	...	71	...	1	2	...	101	C-Mn	Smls. & welded pipe & tubes
API 5L	X60	...	75	...	1	2	...	101	C-Mn	Smls. & welded pipe & tubes
API 5L	X65	...	77	...	1	2	...	101	C-Mn	Smls. & welded pipe & tubes
API 5L	X70	...	82	...	1	3	...	101	C-Mn	Smls. & welded pipe & tubes
API 5L	X80	...	90	...	1	4	...	101	C-Mn	Smls. & welded pipe & tubes
MSS SP-75	WPHY-42	...	60	...	1	1	...	101	C-Mn	Smls./welded fittings
MSS SP-75	WPHY-46	...	63	...	1	1	...	101	C-Mn	Smls./welded fittings
MSS SP-75	WPHY-52	...	66	...	1	1	...	101	C-Mn	Smls./welded fittings
MSS SP-75	WPHY-56	...	71	...	1	2	...	101	C-Mn	Smls./welded fittings
MSS SP-75	WPHY-60	...	75	...	1	2	...	101	C-Mn	Smls./welded fittings
MSS SP-75	WPHY-65	...	77	...	1	2	...	101	C-Mn	Smls./welded fittings
MSS SP-75	WPHY-70	...	82	...	1	3	...	101	C-Mn	Smls./welded fittings
SA/CSA- G40.21	Gr. 38W	...	60	1	1	...	101	...	C-Mn-Si	Plate, bar, & shapes
SA/CSA- G40.21	Gr. 44W	...	60	1	1	...	101	...	C-Mn-Si	Plate, bar, & shapes
SA/EN 10028-2	295GH	...	64	1	1	...	101	...	C-Mn-Si	Plate > 4 in. (102 mm)
SA/EN 10028-2	295GH	...	67	1	1	...	101	...	C-Mn-Si	Plate ≤ 4 in. (102 mm)

QW/QB-422 NONFERROUS P-NUMBERS AND S-NUMBERS
(Grouping of Base Metals for Qualification)

GENERAL NOTE: To convert from ksi to MPa, multiply tensile strength in table by 6.9.

Spec. No.	UNS No.	Alloy, Type, or Grade	Minimum Specified Tensile, ksi	Welding		Brazing		Nominal Composition	Product Form
				P- No.	S- No.	P- No.	S- No.		
B 16	C36000	...	48	107	65Cu-Zn-3Pb	Rod ≤ 1 in. (25 mm)
B 16	C36000	...	44	107	65Cu-Zn-3Pb	Rod > 1-2 in. (25-51 mm), incl.
B 16	C36000	...	40	107	65Cu-Zn-3Pb	Rod > 2 in. (51 mm)
B 16	C36000	...	44	107	65Cu-Zn-3Pb	Bar ≤ 1 in. (25 mm)
B 16	C36000	...	40	107	65Cu-Zn-3Pb	Bar > 1 in. (25 mm)
B 26	A24430	...	17	...	21	...	104	Al-Si	Castings
B 26	A03560	T71	25	...	21	...	104	Al-Si	Castings
B 26	A03560	T6	30	...	21	...	104	Al-Si	Castings
SB-42	C10200	...	30	31	...	107	...	99.95Cu-P	Smls. pipe
SB-42	C12000	...	30	31	...	107	...	99.9Cu-P	Smls. pipe
SB-42	C12200	...	30	31	...	107	...	99.9Cu-P	Smls. pipe
SB-43	C23000	...	40	32	...	107	...	85Cu-15Zn	Smls. pipe
SB-61	C92200	...	30	107	...	88Cu-Sn-Zn-Pb	Castings
SB-62	C83600	...	28	107	...	85Cu-55Sn-5Zn-5Pb	Castings
B 68	C10200	102	30	...	31	...	107	99.95Cu-P	Tube
B 68	C12000	120	30	...	31	...	107	99.9Cu-P	Tube
B 68	C12200	122	30	...	31	...	107	99.9Cu-P	Tube
SB-75	C10200	...	30	31	...	107	...	99.95Cu-P	Smls. tube
SB-75	C12000	...	30	31	...	107	...	99.9Cu-P	Smls. tube
SB-75	C12200	...	30	31	...	107	...	99.9Cu-P	Smls. tube
B 85	31	...	107	...	Die castings
B 88	C10200	102	30	...	31	...	107	99.95Cu-P	Tube
B 88	C12000	120	30	...	31	...	107	99.9Cu-P	Tube
B 88	C12200	122	30	...	31	...	107	99.9Cu-P	Tube
SB-96	C65500	...	50	33	...	107	...	97Cu-3.3Si	Plate, sht, strip, & bar

WELDING DATA

QW/QB-422

QW/QB-422 NONFERROUS P-NUMBERS AND S-NUMBERS
(Grouping of Base Metals for Qualification)

GENERAL NOTE: To convert from ksi to MPa, multiply tensile strength in table by 6.9.

Spec. No.	UNS No.	Alloy, Type, or Grade	Minimum Specified Tensile, ksi	Welding		Brazing		Nominal Composition	Product Form
				P- No.	S- No.	P- No.	S- No.		
SB-98	C65100	...	40	33	...	107	...	98.5Cu-1.5Si	Rod, bar, & shapes
SB-98	C65500	...	52	33	...	107	...	97Cu-3Si	Rod, bar, & shapes
SB-98	C66100	...	52	33	...	107	...	94Cu-3Si	Rod, bar, & shapes
SB-111	C10200	...	30	31	...	107	...	99.95Cu-P	Smls. tube
SB-111	C12000	...	30	31	...	107	...	99.9Cu-P	Smls. tube
SB-111	C12200	...	30	31	...	107	...	99.9Cu-P	Smls. tube
SB-111	C14200	...	30	31	...	107	...	99.4Cu-As-P	Smls. tube
SB-111	C19200	...	38	31	...	107	...	99.7Cu-Fe-P	Smls. tube
SB-111	C23000	...	40	32	...	107	...	85Cu-15Zn	Smls. tube
SB-111	C28000	...	50	32	...	107	...	60Cu-40Zn	Smls. tube
SB-111	C44300	...	45	32	...	107	...	71Cu-28Zn-1Sn-0.06As	Smls. tube
SB-111	C44400	...	45	32	...	107	...	71Cu-28Zn-1Sn-0.06Sb	Smls. tube
SB-111	C44500	...	45	32	...	107	...	71Cu-28Zn-1Sn-0.06P	Smls. tube
SB-111	C60800	...	50	35	...	108	...	95Cu-5Al	Smls. tube
SB-111	C68700	...	50	32	...	108	...	78Cu-20Zn-2Al	Smls. tube
SB-111	C70400	...	38	34	...	107	...	95Cu-5Ni	Smls. tube
SB-111	C70600	...	40	34	...	107	...	90Cu-10Ni	Smls. tube
SB-111	C71000	...	45	34	...	107	...	80Cu-20Ni	Smls. tube
SB-111	C71500	...	52	34	...	107	...	70Cu-30Ni	Smls. tube
SB-111	C71640	...	63	34	...	107	...	66Cu-30Ni-2Fe-2Mn	Smls. tube
SB-111	C72200	...	45	34	...	107	...	80Cu-16Ni-0.75Fe-0.5Cr	Smls. tube
SB-127	N04400	...	70	42	...	110	...	67Ni-30Cu	Plate, sheet, & strip
SB-135	C23000	...	40	32	...	107	...	85Cu-15Zn	Smls. tube
SB-148	C95200	...	65	35	...	108	...	88Cu-9Al-3Fe	Castings
SB-148	C95400	...	75	35	...	108	...	85Cu-11Al-4Fe	Castings
B 148	C95300	...	65	...	35	...	108	89Cu-10Al-1Fe	Castings
B 148	C95500	...	90	...	35	...	108	82Cu-11Al-4Fe-3Mn	Castings
B 148	C95600	...	60	...	35	...	108	90Cu-7Al-3Si	Castings

QW/QB-422 NONFERROUS P-NUMBERS AND S-NUMBERS
(Grouping of Base Metals for Qualification)

GENERAL NOTE: To convert from ksi to MPa, multiply tensile strength in table by 6.9.

Spec. No.	UNS No.	Alloy, Type, or Grade	Minimum Specified Tensile, ksi	Welding		Brazing		Nominal Composition	Product Form
				P-No.	S-No.	P-No.	S-No.		
SB-150	C61400	...	70	35	...	108	...	90Cu-7Al-3Fe	Rod & bar
SB-150	C62300	...	75	35	...	108	...	88Cu-9Al-3Fe	Rod (round)
SB-150	C63000	...	85	35	...	108	...	81Cu-10Al-5Ni-3Fe	Rod & bar
SB-150	C64200	...	70	35	...	108	...	91Cu-7Al-2Si	Rod & bar
SB-151	C70600	...	38	34	...	107	...	90Cu-10Ni	Rod & bar
SB-152	C10200	...	30	31	...	107	...	99.95Cu-P	Plt, sht, strip, & bar
SB-152	C10400	...	30	31	...	107	...	99.95Cu + Ag	Plt, sht, strip, & bar
SB-152	C10500	...	30	31	...	107	...	99.95Cu + Ag	Plt, sht, strip, & bar
SB-152	C10700	...	30	31	...	107	...	99.95Cu + Ag	Plt, sht, strip, & bar
SB-152	C11000	...	30	31	...	107	...	99.90Cu	Plt, sht, strip, & bar
SB-152	C12200	...	30	31	...	107	...	99.9Cu-P	Plt, sht, strip, & bar
SB-152	C12300	...	30	31	...	107	...	99.9Cu-P	Plt, sht, strip, & bar
SB-152	C12500	...	30	31	...	107	...	99.88Cu	Plt, sht, strip, & bar
SB-152	C14200	...	30	31	...	107	...	99.4Cu-As-P	Plt, sht, strip, & bar
SB-160	N02200	...	55	41	...	110	...	99.0Ni	Rod & bar
SB-160	N02201	...	50	41	...	110	...	99.0Ni-Low C	Rod & bar
SB-161	N02200	...	55	41	...	110	...	99.0Ni	Smls. pipe & tube
SB-161	N02201	...	50	41	...	110	...	99.0Ni-Low C	Smls. pipe & tube
SB-162	N02200	...	55	41	...	110	...	99.0Ni	Plate, sheet, & strip
SB-162	N02201	...	50	41	...	110	...	99.0Ni-Low C	Plate, sheet, & strip
SB-163	N02200	...	55	41	...	110	...	99.0Ni	Smls. tube
SB-163	N02201	...	50	41	...	110	...	99.0Ni-Low C	Smls. tube
SB-163	N04400	...	70	42	...	110	...	67Ni-30Cu	Smls. tube
SB-163	N06600	...	80	43	...	111	...	72Ni-15Cr-8Fe	Smls. tube
SB-163	N06690	...	85	43	...	111	...	58Ni-29Cr-9Fe	Smls. tube
SB-163	N08800	...	75	45	...	111	...	33Ni-42Fe-21Cr	Smls. tube
SB-163	N08810	...	65	45	...	111	...	33Ni-42Fe-21Cr	Smls. tube
SB-163	N08811	...	65	45	33Ni-42Fe-21Cr-Al-Ti	Smls. tube
SB-163	N08825	...	85	45	...	111	...	42Ni-21.5Cr-3Mo-2.3Cu	Smls. tube
SB-164	N04400	...	70	42	...	110	...	67Ni-30Cu	Rod, bar, & wire

QW/QB-422 NONFERROUS P-NUMBERS AND S-NUMBERS
(Grouping of Base Metals for Qualification)

GENERAL NOTE: To convert from ksi to MPa, multiply tensile strength in table by 6.9.

Spec. No.	UNS No.	Alloy, Type, or Grade	Minimum Specified Tensile, ksi	Welding		Brazing		Nominal Composition	Product Form
				P- No.	S- No.	P- No.	S- No.		
SB-164	N04405	...	70	42	...	110	...	67Ni-30Cu	Rod, bar, & wire
SB-165	N04400	...	70	42	...	110	...	67Ni-30Cu	Sms. pipe & tube
SB-166	N06045	...	90	46	46Ni-27Cr-23Fe-2.75Si	Sms. pipe & tube
SB-166	N06600	...	80	43	...	111	...	72Ni-15Cr-8Fe	Rod, bar, & wire
SB-166	N06690	...	85	43	...	111	...	58Ni-29Cr-9Fe	Rod, bar, & wire
SB-167	N06045	...	90	46	46Ni-27Cr-23Fe-2.75Si	Sms. pipe & tube
SB-167	N06600	...	75	43	...	111	...	72Ni-15Cr-8Fe	Sms. pipe & tube
SB-167	N06690	...	75	43	...	111	...	58Ni-29Cr-9Fe	Sms. pipe & tube
SB-168	N06045	...	90	46	46Ni-27Cr-23Fe-2.75Si	Plate, sheet, & strip
SB-168	N06600	...	80	43	...	111	...	72Ni-15Cr-8Fe	Plate, sheet, & strip
SB-168	N06690	...	85	43	...	111	...	58Ni-29Cr-9Fe	Plate, sheet, & strip
SB-169	C61400	...	65	35	...	108	...	90Cu-7Al-3Fe	Plt, sht, strip, & bar
SB-171	C36500	...	40	32	...	107	...	60Cu-39Zn-Pb	Plate & sheet
SB-171	C44300	...	45	32	...	107	...	71Cu-28Zn-1Sn-0.06As	Plate & sheet
SB-171	C44400	...	45	32	...	107	...	71Cu-28Zn-1Sn-0.06Sb	Plate & sheet
SB-171	C44500	...	45	32	...	107	...	71Cu-28Zn-1Sn-0.06P	Plate & sheet
SB-171	C46400	...	50	32	...	107	...	60Cu-39Zn-Sn	Plate & sheet
SB-171	C46500	...	50	32	...	107	...	60Cu-39Zn-As	Plate & sheet
SB-171	C61400	...	65	35	...	108	...	90Cu-7Al-3Fe	Plate & sheet > 2-5 in. (51-127 mm), incl.
SB-171	C61400	...	70	35	...	108	...	90Cu-7Al-3Fe	Plate & sheet ≤ 2 in. (51 mm)
SB-171	C63000	...	80	35	...	108	...	81Cu-10Al-5Ni-3Fe	Plate & sheet > 3 1/2-5 in. (89-127 mm), incl.
SB-171	C63000	...	85	35	...	108	...	81Cu-10Al-5Ni-3Fe	Plate & sheet > 2-3.5 in. (51-89 mm), incl.
SB-171	C63000	...	90	35	...	108	...	81Cu-10Al-5Ni-3Fe	Plate & sheet ≤ 2 in. (51 mm)
SB-171	C70600	...	40	34	...	107	...	90Cu-10Ni	Plate & sheet
SB-171	C71500	...	45	34	...	107	...	70Cu-30Ni	Plate & sheet > 2.5-5 in. (64-127 mm), incl.
SB-171	C71500	...	50	34	...	107	...	70Cu-30Ni	Plate & sheet ≤ 2.5 in. (64 mm)
SB-187	C10200	060	30	31	99.95Cu-P	Rod & bar
SB-187	C11000	060	30	31	99.9Cu	Rod & bar
SB-209	A91060	1060	8	21	...	104	...	99.60Al	Plate & sheet

QW/QB-422 NONFERROUS P-NUMBERS AND S-NUMBERS
(Grouping of Base Metals for Qualification)

GENERAL NOTE: To convert from ksi to MPa, multiply tensile strength in table by 6.9.

Spec. No.	UNS No.	Alloy, Type, or Grade	Minimum Specified Tensile, ksi	Welding		Brazing		Nominal Composition	Product Form
				P- No.	S- No.	P- No.	S- No.		
SB-209	A91100	1100	11	21	99.0Al-Cu	Plate & sheet
SB-209	A93003	3003	14	21	Al-Mn-Cu	Plate & sheet
SB-209	A93004	3004	22	22	Al-Mn-Mg	Plate & sheet
SB-209	A95052	5052	25	22	Al-2.5Mg	Plate & sheet
SB-209	A95083	5083	36	25	Al-4.4Mg-Mn	Plate & sheet > 7-8 in. (178-203 mm), incl.
SB-209	A95083	5083	37	25	Al-4.4Mg-Mn	Plate & sheet > 5-7 in. (127-178 mm), incl.
SB-209	A95083	5083	38	25	Al-4.4Mg-Mn	Plate & sheet > 3-5 in. (76-127 mm), incl.
SB-209	A95083	5083	39	25	Al-4.4Mg-Mn	Plate & sheet > 1.5-3 in. (38-76 mm), incl.
SB-209	A95083	5083	40	25	Al-4.4Mg-Mn	Plate & sheet > 0.05-1.5 in. (1.3-38 mm), incl.
SB-209	A95086	5086	34	25	Al-4.0Mg-Mn	Plate & sheet > 2-3 in. (51-76 mm), incl.
SB-209	A95086	5086	35	25	Al-4.0Mg-Mn	Plate & sheet > 0.05-2 in. (1.3-51 mm), incl.
SB-209	A95154	5154	30	22	Al-3.5Mg	Plate & sheet
SB-209	A95254	5254	30	22	Al-3.5Mg	Plate & sheet
SB-209	A95454	5454	31	22	Al-2.7Mg-Mn	Plate & sheet
SB-209	A95456	5456	38	25	Al-5.1Mg-Mn	Plate & sheet > 7-8 in. (178-203 mm), incl.
SB-209	A95456	5456	39	25	Al-5.1Mg-Mn	Plate & sheet > 5-7 in. (127-178 mm), incl.
SB-209	A95456	5456	40	25	Al-5.1Mg-Mn	Plate & sheet > 3-5 in. (76-127 mm), incl.
SB-209	A95456	5456	41	25	Al-5.1Mg-Mn	Plate & sheet > 1.5-3 in. (38-76 mm), incl.
SB-209	A95456	5456	42	25	Al-5.1Mg-Mn	Plate & sheet > 0.05-1.5 in. (1.3-38 mm), incl.
SB-209	A95652	5652	25	22	Al-2.5Mg	Plate & sheet
SB-209	A96061	6061	24	23	Al-Mg-Si-Cu	Plate & sheet
SB-209	...	Alclad 3003	13	21	Al-Mn-Cu	Plate & sheet > 0.05 in. < 0.5 in. (> 1.3 mm < 13 mm)
SB-209	...	Alclad 3003	14	21	Al-Mn-Cu	Plate & sheet ≥ 0.5-3 in. (13-76 mm), incl.
SB-209	...	Alclad 3004	21	22	Al-Mn-Mg	Plate & sheet > 0.05 in. < 0.5 in. (> 1.3 mm < 13 mm)
SB-209	...	Alclad 3004	22	22	Al-Mn-Mg	Plate & sheet ≥ 0.5-3 in. (13-76 mm), incl.
SB-209	...	Alclad 6061	24	23	Al-Mg-Si-Cu	Plate & sheet
B 209	A95050	5050	18	...	21	...	105	Al-1.5Mg	Plate & sheet
SB-210	A91060	1060	8.5	21	104	99.6Al	Smls. tube
SB-210	...	Alclad 3003	13	21	104	Al-Mn-Cu	Smls. tube

WELDING DATA

QW/QB-422

QW/QB-422 NONFERROUS P-NUMBERS AND S-NUMBERS
(Grouping of Base Metals for Qualification)

GENERAL NOTE: To convert from ksi to MPa, multiply tensile strength in table by 6.9.

Spec. No.	UNS No.	Alloy, Type, or Grade	Minimum Specified Tensile, ksi	Welding		Brazing		Nominal Composition	Product Form
				P-No.	S-No.	P-No.	S-No.		
SB-210	A93003	3003	14	21	...	104	...	Al-Mn-Cu	Smls. tube
SB-210	A95052	5052	25	22	...	105	...	Al-2.5Mg	Smls. tube
SB-210	A95154	5154	30	22	...	105	...	Al-3.5Mg	Smls. tube
SB-210	A96061	6061	24	23	...	105	...	Al-Mg-Si-Cu	Smls. tube
SB-210	A96063	6063	17	23	...	105	...	Al-Mg-Si	Smls. tube
B 210	A95083	5083	39	...	25	...	105	Al-4.4Mg-Mn	Smls. tube
B 210	A95086	5086	35	...	25	...	105	Al-4.0Mg-Mn	Smls. tube
B 210	A95456	5456	41	...	25	Al-5.1Mg-Mn	Smls. tube
SB-211	A96061	6061	24	23	...	105	...	Al-Mg-Si-Cu	Bar, rod, & wire
SB-221	A91060	1060	8.5	21	...	104	...	99.6Al	Bar, rod, & shapes
SB-221	A91100	1100	11	21	...	104	...	99.0Al	Bar, rod, & shapes
SB-221	A93003	3003	14	21	...	104	...	Al-Mn-Cu	Bar, rod, & shapes
SB-221	A95083	5083	39	25	...	105	...	Al-4.4Mg-Mn	Bar, rod, & shapes
SB-221	A95154	5154	30	22	...	105	...	Al-3.5Mg	Bar, rod, & shapes
SB-221	A95454	5454	31	22	...	105	...	Al-2.75Mg-Mn	Bar, rod, & shapes
SB-221	A95456	5456	41	25	...	105	...	Al-5.1Mg-Mn	Bar, rod, & shapes
SB-221	A96061	6061	24	23	...	105	...	Al-Mg-Si-Cu	Bar, rod, & shapes
SB-221	A96063	6063	17	23	...	105	...	Al-Mg-Si	Bar, rod, & shapes
SB-234	A91060	1060	8.5	21	...	104	...	99.6Al	Smls. tube
SB-234	...	Alclad 3003	13	21	...	104	...	Al-Mn-Cu	Smls. tube
SB-234	A93003	3003	14	21	...	104	...	Al-Mn-Cu	Smls. tube
SB-234	A95052	5052	25	22	...	105	...	Al-2.5Mg	Smls. tube
SB-234	A95454	5454	31	22	...	105	...	Al-2.75Mg-Mn	Smls. tube
SB-234	A96061	6061	24	23	...	105	...	Al-Mg-Si-Cu	Smls. tube
SB-241	A91060	1060	8.5	21	...	104	...	99.6Al	Smls. pipe & tube
SB-241	A91100	1100	11	21	...	104	...	99.0Al	Smls. pipe & tube
SB-241	...	Alclad 3003	13	21	...	104	...	Al-Mn-Cu	Smls. pipe & tube
SB-241	A93003	3003	14	21	...	104	...	Al-Mn-Cu	Pipe & tube
SB-241	A95052	5052	25	22	...	105	...	Al-2.5Mg	Smls. pipe & tube
SB-241	A95083	5083	39	25	...	105	...	Al-4.4Mg-Mn	Smls. pipe & tube

QW/QB-422 NONFERROUS P-NUMBERS AND S-NUMBERS
(Grouping of Base Metals for Qualification)

GENERAL NOTE: To convert from ksi to MPa, multiply tensile strength in table by 6.9.

Spec. No.	UNS No.	Alloy, Type, or Grade	Minimum Specified Tensile, ksi	Welding		Brazing		Nominal Composition	Product Form
				P- No.	S- No.	P- No.	S- No.		
SB-241	A95086	5086	35	25	...	105	...	Al-4.0Mg-Mn	Smis. pipe & tube
SB-241	A95454	5454	31	22	...	105	...	Al-2.7Mg-Mn	Smis. pipe & tube
SB-241	A95456	5456	41	25	...	105	...	Al-5.1Mg-Mn	Smis. pipe & tube
SB-241	A96061	6061	24	23	...	105	...	Al-Mg-Si-Cu	Smis. pipe & tube
SB-241	A96063	6063	17	23	...	105	...	Al-Mg-Si	Smis. pipe & tube
SB-247	A93003	3003	14	21	...	104	...	Al-Mn-Cu	Forgings
SB-247	A95083	5083	38	25	...	105	...	Al-4.4Mg-Mn	Forgings
SB-247	A96061	6061	24	23	...	105	...	Al-Mg-Si-Cu	Forgings
SB-265	R50250	1	35	51	...	115	...	Ti	Plate, sheet, & strip
SB-265	R50400	2	50	51	...	115	...	Ti	Plate, sheet, & strip
SB-265	R50550	3	65	52	...	115	...	Ti	Plate, sheet, & strip
SB-265	R52400	7	50	51	...	115	...	Ti-Pd	Plate, sheet, & strip
SB-265	R53400	12	70	52	...	115	...	Ti-0.3Mo-0.8Ni	Plate, sheet, & strip
SB-265	R56320	9	90	53	...	115	...	Ti-3Al-2.5V	Plate, sheet, & strip
SB-265	R52402	16	50	51	...	115	...	Ti-Pd	Plate, sheet, & strip
SB-265	R52250	11	35	51	...	115	...	Ti-Pd	Plate, sheet, & strip
SB-265	R52252	17	35	51	Ti-Pd	Plate, sheet, & strip
SB-271	C95200	...	65	35	...	108	...	88Cu-9Al-3Fe	Castings
SB-271	C95400	...	75	35	...	108	...	85Cu-11Al-4Fe	Castings
B 280	C10200	102	30	...	31	...	107	99.95Cu-P	Smis. tube
B 280	C12000	120	30	...	31	...	107	99.9Cu-P	Smis. tube
B 280	C12200	122	30	...	31	...	107	99.9Cu-P	Smis. tube
B 283	C11000	Cu	33	...	31	...	107	99.9Cu	Forgings
B 283	C37700	Forging brass	46	107	60Cu-38Zn-2Pb	Forgings > 1.5 in. (38 mm)
B 283	C37700	Forging brass	50	107	60Cu-38Zn-2Pb	Forgings ≤ 1.5 in. (38 mm)
B 283	C46400	Naval brass	64	...	32	...	107	60Cu-39Zn-Sn	Forgings
B 283	C65500	High Si bronze	52	...	33	...	107	97Cu-3Si	Forgings
B 283	C67500	Mn bronze	72	...	32	...	107	59Cu-39Zn-Fe-Sn	Forgings
B 302	C12000	...	36	...	31	...	107	99.9Cu-P	Pipe
B 302	C12200	...	36	...	31	...	107	99.9Cu-P	Pipe

WELDING DATA

QW/QB-422

QW/QB-422 NONFERROUS P-NUMBERS AND S-NUMBERS
(Grouping of Base Metals for Qualification)

GENERAL NOTE: To convert from ksi to MPa, multiply tensile strength in table by 6.9.

Spec. No.	UNS No.	Alloy, Type, or Grade	Minimum Specified Tensile, ksi	Welding		Brazing		Nominal Composition	Product Form
				P- No.	S- No.	P- No.	S- No.		
SB-308	A96061	6061	24	23	...	105	...	Al-Mg-Si-Cu	Shapes
SB-315	C65500	...	50	33	...	107	...	97Cu-3Si	Pipe & tube
SB-333	N10001	...	100	44	...	112	...	62Ni-28Mo-5Fe	Plate, sheet, & strip \geq 0.1875-2.5 in. (4.8-64 mm), incl.
SB-333	N10001	...	115	44	...	112	...	62Ni-28Mo-5Fe	Plate, sheet, & strip < 0.1875 in. (48 mm)
SB-333	N10629	...	110	44	66Ni-28Mo-3Fe-1.3Cr-0.25Al	Plate, sheet, & strip
SB-333	N10665	...	110	44	...	112	...	65Ni-28Mo-2Fe	Plate, sheet, & strip
SB-333	N10675	...	110	44	...	112	...	65Ni-29.5Mo-2Cr-2Fe-Mn-W	Plate, sheet, & strip
SB-335	N10001	...	100	44	...	112	...	62Ni-28Mo-5Fe	Rod > 1.5-3.5 in. (38-89 mm), incl.
SB-335	N10001	...	115	44	...	112	...	62Ni-28Mo-5Fe	Rod \geq 0.3125-1.5 in. (8-38 mm), incl.
SB-335	N10629	...	110	44	66Ni-28Mo-3Fe-1.3Cr-0.25Al	Rod
SB-335	N10665	...	110	44	...	112	...	65Ni-28Mo-2Fe	Rod
SB-335	N10675	...	110	44	...	112	...	65Ni-29.5Mo-2Cr-2Fe-Mn-W	Rod
SB-338	R50250	1	35	51	...	115	...	Ti	Smls. & welded tube
SB-338	R50400	2	50	51	...	115	...	Ti	Smls. & welded tube
SB-338	R50550	3	65	52	...	115	...	Ti	Smls. & welded tube
SB-338	R52400	7	50	51	...	115	...	Ti-Pd	Smls. & welded tube
SB-338	R52402	16	50	51	...	115	...	Ti-Pd	Smls. & welded tube
SB-338	R53400	12	70	52	...	115	...	Ti-0.3Mo-0.8Ni	Smls. & welded tube
SB-338	R56320	9	90	53	...	115	...	Ti-3Al-2.5V	Smls. & welded tube
B 345	A91060	1060	8.5	...	21	...	104	99.60Al	Smls. pipe & tube
B 345	A93003	3003	21	...	104	Al-Mn-Cu	Smls. pipe & tube
B 345	A95083	5083	39	...	25	...	105	Al-4.4Mg-Mn	Smls. pipe & tube
B 345	A95086	5086	37	...	25	...	105	Al-4.0Mg-Mn	Smls. pipe & tube
B 345	A96061	6061	24	...	23	...	105	Al-Mg-Si-Cu	Smls. pipe & tube
B 345	A96063	6063	17	...	23	...	105	Al-Mg-Si	Smls. pipe & tube
SB-348	R50250	1	35	51	...	115	...	Ti	Bars & billets
SB-348	R50400	2	50	51	...	115	...	Ti	Bars & billets
SB-348	R50550	3	65	52	...	115	...	Ti	Bars & billets
SB-348	R52400	7	50	51	...	115	...	Ti-Pd	Bars & billets
SB-348	R53400	12	70	52	...	115	...	Ti-0.3Mo-0.8Ni	Bars & billets

WELDING DATA

QW/QB-422

QW/QB-422 NONFERROUS P-NUMBERS AND S-NUMBERS
(Grouping of Base Metals for Qualification)

GENERAL NOTE: To convert from ksi to MPa, multiply tensile strength in table by 6.9.

Spec. No.	UNS No.	Alloy, Type, or Grade	Minimum Specified Tensile, ksi	Welding		Brazing		Nominal Composition	Product Form
				P- No.	S- No.	P- No.	S- No.		
SB-348	R52402	16	50	51	Ti-Pd	Bars & billets
SB-348	R56320	9	90	53	...	115	...	Ti-3Al-2.5V	Bars & billets
A 351	N08603	HT30	65	...	45	...	111	35Ni-15Cr-0.5Mo	Castings
SA-351	J94651	CN3MN	80	45	...	111	...	46Fe-24Ni-21Cr-6Mo-Cu-N	Castings
SA-351	N08007	CN7M	62	45	...	111	...	28Ni-19Cr-Cu-Mo	Castings
SA-351	N08151	CT15C	63	45	...	111	...	32Ni-45Fe-20Cr-Cb	Castings
SB-359	C10200	...	30	31	...	107	...	99.95Cu-P	Smls. tube
SB-359	C12000	...	30	31	...	107	...	99.9Cu-P	Smls. tube
SB-359	C12200	...	30	31	...	107	...	99.9Cu-P	Smls. tube
SB-359	C14200	...	30	31	...	107	...	99.4Cu-As-P	Smls. tube
SB-359	C19200	...	38	31	...	107	...	99.7Cu-Fe-P	Smls. tube
SB-359	C23000	...	40	32	...	107	...	85Cu-15Zn	Smls. tube
SB-359	C44300	...	45	32	...	107	...	71Cu-28Zn-1Sn-0.06As	Smls. tube
SB-359	C44400	...	45	32	...	107	...	71Cu-28Zn-1Sn-0.06Sb	Smls. tube
SB-359	C44500	...	45	32	...	107	...	71Cu-28Zn-1Sn-0.06P	Smls. tube
SB-359	C60800	...	50	35	...	108	...	95Cu-5Al	Smls. tube
SB-359	C68700	...	50	32	...	108	...	78Cu-20Zn-2Al	Smls. tube
SB-359	C70400	...	38	34	...	107	...	95Cu-5Ni	Smls. tube
SB-359	C70600	...	40	34	...	107	...	90Cu-10Ni	Smls. tube
SB-359	C71000	...	45	34	...	107	...	80Cu-20Ni	Smls. tube
SB-359	C71500	...	52	34	...	107	...	70Cu-30Ni	Smls. tube
B 361	A91060	WP1060	8	...	21	...	104	99.60Al	Fittings
B 361	A91100	WP1100	11	...	21	...	104	99.0Al-Cu	Fittings
B 361	...	WP Alclad 3003	13	...	21	...	104	Al-Mn-Cu	Fittings
B 361	A93003	WP3003	14	...	21	...	104	Al-Mn-Cu	Fittings
B 361	A95083	5083	39	...	25	...	105	Al-4.4Mg-Mn	Fittings
B 361	A95154	5154	30	...	22	...	105	Al-3.5Mg	Fittings
B 361	A96061	WP6061	24	...	23	...	105	Al-Mg-Si-Cu	Fittings
B 361	A96063	WP6063	17	...	23	...	105	Al-Mg-Si	Fittings
SB-363	R50250	WPT 1	35	51	...	115	...	Ti	Smls. & welded fittings

QW/QB-422 NONFERRROUS P-NUMBERS AND S-NUMBERS
(Grouping of Base Metals for Qualification)

GENERAL NOTE: To convert from ksi to MPa, multiply tensile strength in table by 6.9.

Spec. No.	UNS No.	Alloy, Type, or Grade	Minimum Specified Tensile, ksi	Welding		Brazing		Nominal Composition	Product Form
				P-No.	S-No.	P-No.	S-No.		
SB-363	R50400	WPT 2	50	51	...	115	...	Ti	Smls. & welded fittings
SB-363	R50550	WPT 3	65	52	...	115	...	Ti	Smls. & welded fittings
SB-363	R52400	7	50	51	...	115	...	Ti-Pd	Smls. & welded pipe
SB-363	R53400	12	70	52	...	115	...	Ti-0.3Mo-0.8Ni	Smls. & welded pipe
SB-363	R56320	WPT-9	90	53	...	115	...	Ti-3Al-2.5V	Smls. & welded fittings
SB-366	N02200	...	55	41	...	110	...	99Ni	Fittings
SB-366	N02201	...	50	41	...	110	...	99Ni-Low C	Fittings
SB-366	N04400	...	70	42	...	110	...	67Ni-30Cu	Fittings
SB-366	N06002	...	100	43	...	111	...	47Ni-22Cr-18Fe-9Mo	Fittings
SB-366	N06007	...	90	45	...	111	...	47Ni-22Cr-19Fe-6Mo	Fittings
SB-366	N06022	...	100	44	...	112	...	55Ni-21Cr-13.5Mo	Fittings
SB-366	N06030	...	85	45	...	111	...	40Ni-29Cr-15Fe-5Mo	Fittings
SB-366	N06045	...	90	46	46Ni-27Cr-23Fe-2.75Si	Fittings
SB-366	N06059	...	100	44	...	112	...	59Ni-23Cr-16Mo	Fittings
SB-366	N06230	...	110	47	53Ni-22Cr-14W-Co-Fe-Mo	Fittings
SB-366	N06455	...	100	44	...	112	...	61Ni-15Mo-16Cr	Fittings
SB-366	N06600	...	80	43	...	111	...	72Ni-15Cr-8Fe	Fittings
SB-366	N06625	...	110	43	...	111	...	60Ni-22Cr-9Mo-3.5Cb	Fittings
SB-366	N06985	...	90	45	...	111	...	47Ni-22Cr-20Fe-7Mo	Fittings
SB-366	N08020	...	80	45	...	111	...	35Ni-35Fe-20Cr-Cb	Fittings
SB-366	N08031	...	94	95	...	111	...	31Ni-36Fe-27Cr-6Mo	Fittings
SB-366	N08330	...	70	46	...	111	...	35Ni-19Cr-1.25Si	Fittings
SB-366	N08800	...	75	45	...	111	...	33Ni-42Fe-21Cr	Fittings
SB-366	N08825	...	85	45	...	111	...	42Ni-21.5Cr-3Mo-2.3Cu	Fittings
SB-366	N08925	...	87	45	...	111	...	25Ni-20Cr-6Mo-Cu-N	Fittings
SB-366	N10001	...	100	44	...	112	...	62Ni-28Mo-5Fe	Fittings
SB-366	N10003	...	100	44	...	112	...	70Ni-16Mo-7Cr-5Fe	Fittings
SB-366	N10276	...	100	44	...	112	...	54Ni-16Mo-15Cr	Fittings
SB-366	N10629	...	110	44	66Ni-28Mo-3Fe-1.3Cr-0.25Al	Fittings
SB-366	N10665	...	110	44	...	112	...	65Ni-28Mo-2Fe	Fittings
SB-366	N10675	...	110	44	...	112	...	65Ni-29.5Mo-2Cr-2Fe-Mn-W	Fittings

WELDING DATA

QW/QB-422

QW/QB-422 NONFERROUS P-NUMBERS AND S-NUMBERS
(Grouping of Base Metals for Qualification)

GENERAL NOTE: To convert from ksi to MPa, multiply tensile strength in table by 6.9.

Spec. No.	UNS No.	Alloy, Type, or Grade	Minimum Specified Tensile, ksi	Welding		Brazing		Nominal Composition	Product Form
				P- No.	S- No.	P- No.	S- No.		
SB-366	R20033	...	109	45	33Cr-31Ni-32Fe-1.5Mo-0.6Cu-N	Fittings
B 366	N08031	...	94	...	45	...	111	31Ni-31Fe-27Cr-7Mo	Fittings
B 366	N08926	...	94	...	45	...	111	25Ni-20Cr-6Mo-Cu-N	Fittings
SB-367	R50400	Gr. C-2	50	51	...	115	...	Ti	Castings
SB-367	R50550	Gr. C-3	65	52	...	115	...	Ti	Castings
SB-369	C96200	...	45	34	...	107	...	87.5Cu-10Ni-Fe-Mn	Castings
SB-381	R50250	F-1	35	51	...	115	...	Ti	Forgings
SB-381	R50400	F-2	50	51	...	115	...	Ti	Forgings
SB-381	R50550	F-3	65	52	...	115	...	Ti	Forgings
SB-381	R52400	F-7	50	51	...	115	...	Ti-Pd	Forgings
SB-381	R52402	F-16	50	51	Ti-Pd	Forgings
SB-381	R53400	F-12	70	52	...	115	...	Ti-0.3Mo-0.8Ni	Forgings
SB-381	R56320	F-9	90	53	...	115	...	Ti-3Al-2.5V	Forgings
SB-395	C10200	...	36	31	...	107	...	99.95Cu-P	Smls. tube
SB-395	C12000	...	36	31	...	107	...	99.9Cu-P	Smls. tube
SB-395	C12200	...	36	31	...	107	...	99.9Cu-P	Smls. tube
SB-395	C14200	...	36	31	...	107	...	99.4Cu-As-P	Smls. tube
SB-395	C19200	...	38	31	...	107	...	99.7Cu-Fe-P	Smls. tube
SB-395	C23000	...	40	32	...	107	...	85Cu-15Zn	Smls. tube
SB-395	C44300	...	45	32	...	107	...	71Cu-28Zn-1Sn-0.06As	Smls. tube
SB-395	C44400	...	45	32	...	107	...	71Cu-28Zn-1Sn-0.06Sb	Smls. tube
SB-395	C44500	...	45	32	...	107	...	71Cu-28Zn-1Sn-0.06P	Smls. tube
SB-395	C60800	...	50	35	...	108	...	95Cu-5Al	Smls. tube
SB-395	C68700	...	50	32	...	108	...	78Cu-20Zn-2Al	Smls. tube
SB-395	C70600	...	40	34	...	107	...	90Cu-10Ni	Smls. tube
SB-395	C71000	...	45	34	...	107	...	80Cu-20Ni	Smls. tube
SB-395	C71500	...	52	34	...	107	...	70Cu-30Ni	Smls. tube
SB-407	N08800	...	75	45	...	111	...	33Ni-42Fe-21Cr	Smls. pipe & tube
SB-407	N08810	...	65	45	...	111	...	33Ni-42Fe-21Cr	Smls. pipe & tube
SB-407	N08811	...	65	45	...	111	...	33Ni-42Fe-21Cr-Al-Ti	Smls. pipe & tube

QW/QB-422 NONFERROUS P-NUMBERS AND S-NUMBERS
(Grouping of Base Metals for Qualification)

GENERAL NOTE: To convert from ksi to MPa, multiply tensile strength in table by 6.9.

Spec. No.	UNS No.	Alloy, Type, or Grade	Minimum Specified Tensile, ksi	Welding		Brazing		Nominal Composition	Product Form
				P-No.	S-No.	P-No.	S-No.		
SB-408	N08800	...	75	45	...	111	...	33Ni-42Fe-21Cr	Rod & bar
SB-408	N08810	...	65	45	...	111	...	33Ni-42Fe-21Cr	Rod & bar
SB-408	N08811	...	65	45	...	111	...	33Ni-42Fe-21Cr-Al-Ti	Rod & bar
SB-409	N08800	...	75	45	...	111	...	33Ni-42Fe-21Cr	Plate, sheet, & strip
SB-409	N08810	...	65	45	...	111	...	33Ni-42Fe-21Cr	Plate, sheet, & strip
SB-409	N08811	...	65	45	...	111	...	33Ni-42Fe-21Cr-Al-Ti	Plate, sheet, & strip
SB-423	N08825	...	75	45	...	111	...	42Ni-21.5Cr-3Mo-2.3Cu	Smls. pipe & tube
SB-424	N08825	...	85	45	...	111	...	42Ni-21.5Cr-3Mo-2.3Cu	Plate, sheet, & strip
SB-425	N08825	...	85	45	...	111	...	42Ni-21.5Cr-3Mo-2.3Cu	Rod & bar
SB-434	N10003	...	100	44	...	112	...	70Ni-16Mo-7Cr-5Fe	Plate, sheet, & strip
SB-435	N06002	...	95	43	...	111	...	47Ni-22Cr-9Mo-18Fe	Plate, sheet, & strip
SB-435	N06230	...	110	47	...	111	...	53Ni-22Cr-14W-Co-Fe-Mo	Plate, sheet, & strip
SB-435	R30556	...	100	45	...	111	...	21Ni-30Fe-22Cr-18Co-3Mo-3W	Plate, sheet, & strip
SB-443	N06625	2	100	43	...	111	...	60Ni-22Cr-9Mo-3.5Cb	Plate, sheet, & strip
SB-443	N06625	1	110	43	...	111	...	60Ni-22Cr-9Mo-3.5Cb	Plate, sheet, & strip
SB-444	N06625	1	120	43	...	111	...	60Ni-22Cr-9Mo-3.5Cb	Pipe & tube
SB-444	N06625	2	100	43	...	111	...	60Ni-22Cr-9Mo-3.5Cb	Pipe & tube
SB-446	N06625	1	120	43	...	111	...	60Ni-22Cr-9Mo-3.5Cb	Rod & bar
SB-446	N06625	2	100	43	...	111	...	60Ni-22Cr-9Mo-3.5Cb	Rod & bar
SB-462	N08020	...	80	45	...	111	...	35Ni-35Fe-20Cr-Cb	Forgings
SB-462	N08367	...	95	45	...	111	...	46Fe-24Ni-21Cr-6Mo-Cu-N	Forgings
SB-463	N08020	...	80	45	...	111	...	35Ni-35Fe-20Cr-Cb	Plate, sheet, & strip
SB-463	N08024	...	80	45	...	111	...	37Ni-33Fe-23Cr-4Mo-1Cu	Plate, sheet, & strip
SB-463	N08026	...	80	45	...	111	...	35Ni-30Fe-24Cr-5Mo-Cu	Plate, sheet, & strip
SB-464	N08020	...	80	45	...	111	...	35Ni-35Fe-20Cr-Cb	Welded pipe
SB-464	N08024	...	80	45	...	111	...	37Ni-33Fe-23Cr-4Mo-1Cu	Welded pipe

WELDING DATA

QW/QB-422

QW/QB-422 NONFERROUS P-NUMBERS AND S-NUMBERS
(Grouping of Base Metals for Qualification)

GENERAL NOTE: To convert from ksi to MPa, multiply tensile strength in table by 6.9.

Spec. No.	UNS No.	Alloy, Type, or Grade	Minimum Specified Tensile, ksi	Welding		Brazing		Nominal Composition	Product Form
				P- No.	S- No.	P- No.	S- No.		
SB-464	N08026	...	80	45	...	111	...	35Ni-30Fe-24Cr-5Mo-Cu	Welded pipe
SB-466	C70600	...	38	34	...	107	...	90Cu-10Ni	Pipe & tube
SB-466	C71000	...	45	34	...	107	...	80Cu-20Ni	Pipe & tube
SB-466	C71500	...	50	34	...	107	...	70Cu-30Ni	Pipe & tube
SB-467	C70600	...	38	34	...	107	...	90Cu-10Ni	Pipe > 4.5 in. (114 mm) O.D.
SB-467	C70600	...	40	34	...	107	...	90Cu-10Ni	Pipe ≤ 4.5 in. (114 mm) O.D.
SB-467	C71500	...	45	34	...	107	...	70Cu-30Ni	Pipe > 4.5 in. (114 mm) O.D.
SB-467	C71500	...	50	34	...	107	...	70Cu-30Ni	Pipe ≤ 4.5 in. (114 mm) O.D.
SB-468	N08020	...	80	45	...	111	...	35Ni-35Fe-20Cr-Cb	Welded tube
SB-468	N08024	...	80	45	...	111	...	37Ni-33Fe-23Cr-4Mo-1Cu	Welded tube
SB-468	N08026	...	80	45	...	111	...	35Ni-30Fe-24Cr-5Mo-2Cu	Welded tube
SB-473	N08020	...	80	45	...	111	...	35Ni-35Fe-20Cr-Cb	Bar
B 491	A93003	3003	14	...	21	...	104	Al-Mn-Cu	Extruded tubes
SB-493	R60702	R60702	55	61	...	117	...	99.2Zr	Forgings
SB-493	R60705	R60705	70	62	...	117	...	95.5Zr+2.5Cb	Forgings
SA-494	N26022	CX2MMW	80	44	59Ni-22Cr-14Mo-4Fe-3W	Castings
SB-505	C95200	...	68	35	...	108	...	88Cu-9Al-3Fe	Castings
SB-511	N08330	...	70	46	...	111	...	35Ni-19Cr-1.25Si	Bars & shapes
SB-514	N08800	...	75	45	...	111	...	33Ni-42Fe-21Cr	Welded pipe
SB-514	N08810	...	65	45	...	111	...	33Ni-42Fe-21Cr	Welded pipe
SB-515	N08800	...	75	45	...	111	...	33Ni-42Fe-21Cr	Welded tube
SB-515	N08810	...	65	45	...	111	...	33Ni-42Fe-21Cr	Welded tube
SB-515	N08811	...	65	45	33Ni-42Fe-21Cr-Al-Ti	Welded tube
SB-516	N06045	...	90	46	46Ni-27Cr-23Fe-2.75Si	Welded tube
SB-516	N06600	...	80	43	...	111	...	72Ni-15Cr-8Fe	Welded tube

QW/QB-422 NONFERROUS P-NUMBERS AND S-NUMBERS
(Grouping of Base Metals for Qualification)

GENERAL NOTE: To convert from ksi to MPa, multiply tensile strength in table by 6.9.

Spec. No.	UNS No.	Alloy, Type, or Grade	Minimum Specified Tensile, ksi	Welding		Brazing		Nominal Composition	Product Form
				P-No.	S-No.	P-No.	S-No.		
SB-517	N06045	...	90	46	46Ni-27Cr-23Fe-2.75Si	Welded pipe
SB-517	N06600	...	80	43	...	111	...	72Ni-15Cr-8Fe	Welded pipe
SB-523	R60702	R60702	55	61	...	117	...	99.2Zr	Smls. & welded tube
SB-523	R60705	R60705	80	62	...	117	...	95.5Zr+2.5Cb	Smls. & welded tube
SB-535	N08330	...	70	46	...	111	...	35Ni-19Cr-1.25Si	Smls. pipe
SB-536	N08330	...	70	46	...	111	...	35Ni-19Cr-1.25Si	Plate, sheet, & strip
SB-543	C12200	...	30	31	...	107	...	99.9Cu-P	Welded tube
SB-543	C19400	...	45	31	...	107	...	97.5Cu-P	Welded tube
SB-543	C23000	...	40	32	...	107	...	85Cu-15Zn	Welded tube
SB-543	C44300	...	45	32	...	107	...	71Cu-28Zn-1Sn-0.06As	Welded tube
SB-543	C44400	...	45	32	...	107	...	71Cu-28Zn-1Sn-0.06Sb	Welded tube
SB-543	C44500	...	45	32	...	107	...	71Cu-28Zn-1Sn-0.06P	Welded tube
SB-543	C68700	...	50	32	...	108	...	78Cu-20Zn-2Al	Welded tube
SB-543	C70400	...	38	34	...	107	...	95Cu-5Ni	Welded tube
SB-543	C70600	...	40	34	...	107	...	90Cu-10Ni	Welded tube
SB-543	C71500	...	52	34	...	107	...	70Cu-30Ni	Welded tube
SB-543	C71640	...	63	34	...	107	...	66Cu-30.5Ni-2Fe-2Mn	Welded tube
B 547	...	Alclad 3003	13	...	21	...	104	Al-Mn-Cu	Welded tube
B 547	A93003	3003	14	...	21	...	104	Al-Mn-Cu	Welded tube
B 547	A95083	5083	40	...	25	...	105	Al-4.4Mg-Mn	Welded tube
B 547	A95454	5454	31	...	22	...	105	Al-2.7Mg-Mn	Welded tube
B 547	A96061	6061	24	...	23	...	105	Al-Mg-Si-Cu	Welded tube
SB-550	R60702	R60702	55	61	...	117	...	99.2Zr	Bar & wire
SB-550	R60705	R60705	80	62	...	117	...	95.5Zr+2.5Cb	Bar & wire
SB-551	R60702	R60702	55	61	...	117	...	99.2Zr	Plate, sheet, & strip
SB-551	R60705	R60705	80	62	...	117	...	95.5Zr+2.5Cb	Plate, sheet, & strip
SB-564	N04400	...	70	42	...	110	...	67Ni-30Cu	Forgings
SB-564	N06022	...	100	44	...	112	...	55Ni-21Cr-13.5Mo	Forgings

WELDING DATA

QW/QB-422

QW/QB-422 NONFERROUS P-NUMBERS AND S-NUMBERS
(Grouping of Base Metals for Qualification)

GENERAL NOTE: To convert from ksi to MPa, multiply tensile strength in table by 6.9.

Spec. No.	UNS No.	Alloy, Type, or Grade	Minimum Specified Tensile, ksi	Welding		Brazing		Nominal Composition	Product Form
				P-No.	S-No.	P-No.	S-No.		
SB-564	N06025	...	90	46	46Ni-27Cr-23Fe-2.75Si	Forgings
SB-564	N06059	...	100	44	...	111	...	59Ni-23Cr-16Mo	Forgings
SB-564	N06230	...	110	47	53Ni-22Cr-14W-Co-Fe-Mo	Forgings
SB-564	N06600	...	80	43	...	111	...	72Ni-15Cr-8Fe	Forgings
SB-564	N06625	...	110	43	...	111	...	60Ni-22Cr-9Mo-3.5Cb	Forgings > 4-10 in., incl.
SB-564	N06625	...	120	43	...	111	...	60Ni-22Cr-9Mo-3.5Cb	Forgings ≤ 4 in.
SB-564	N06690	...	85	43	58Ni-29Cr-9Fe	Forgings
SB-564	N08031	...	94	45	...	111	...	36Ni-36Fe-27Cr-6Mo	Forgings
SB-564	N08800	...	75	45	...	111	...	33Ni-42Fe-21Cr	Forgings
SB-564	N08810	...	65	45	...	111	...	33Ni-42Fe-21Cr	Forgings
SB-564	N08811	...	65	45	33Ni-42Fe-21Cr-1-Al-Ti	Forgings
SB-564	N08367	...	95	45	...	111	...	46Fe-24Ni-21Cr-6Mo-Cu-N	Forgings
SB-564	N10276	...	100	44	...	112	...	54Ni-16Mo-15Cr	Forgings
SB-564	N10629	...	110	44	66Ni-28Mo-3Fe-1.3Cr-0.25Al	Forgings
SB-564	N10675	...	110	44	...	112	...	65Ni-29.5Mo-2Cr-2Fe-Mn-W	Forgings
SB-564	R20033	...	109	45	33Cr-31Ni-32Fe-1.5Mo-0.6Cu-N	Forgings
B 564	N02200	...	55	...	41	...	110	99.0Ni	Forgings
B 564	N08031	...	94	...	45	...	111	31Ni-31Fe-27Cr-7Mo	Forgings
B 564	N08811	...	65	...	45	...	111	33Ni-42Fe-21Cr-Al-Ti	Forgings
SB-572	N06002	...	95	43	...	111	...	47Ni-22Cr-9Mo-18Fe	Rod
SB-572	N06230	...	110	47	...	111	...	53Ni-22Cr-14W-Co-Fe-Mo	Rod
SB-572	R30556	...	100	45	...	111	...	21Ni-30Fe-22Cr-18Co-3Mo-3W	Rod
SB-573	N10003	...	100	44	...	112	...	70Ni-16Mo-7Cr-5Fe	Rod
SB-574	N06022	...	100	44	...	112	...	55Ni-21Cr-13.5Mo	Rod
SB-574	N06059	...	100	44	...	112	...	59Ni-23Cr-16Mo	Rod
SB-574	N06455	...	100	44	...	112	...	61Ni-16Mo-16Cr	Rod
SB-574	N10276	...	100	44	...	112	...	54Ni-16Mo-15Cr	Rod
SB-575	N06022	...	100	44	...	112	...	55Ni-21Cr-13.5Mo	Plate, sheet, & strip
SB-575	N06059	...	100	44	...	112	...	59Ni-23Cr-16Mo	Plate, sheet, & strip
SB-575	N06455	...	100	44	...	112	...	61Ni-16Mo-16Cr	Plate, sheet, & strip
SB-575	N10276	...	100	44	...	112	...	54Ni-16Mo-15Cr	Plate, sheet, & strip

QW/QB-422 NONFERROUS P-NUMBERS AND S-NUMBERS
(Grouping of Base Metals for Qualification)

GENERAL NOTE: To convert from ksi to MPa, multiply tensile strength in table by 6.9.

Spec. No.	UNS No.	Alloy, Type, or Grade	Minimum Specified Tensile, ksi	Welding		Brazing		Nominal Composition	Product Form
				P-No.	S-No.	P-No.	S-No.		
SB-581	N06007	...	85	45	...	111	...	47Ni-22Cr-19Fe-6Mo	Rod > 0.75-3.5 in. (19-89 mm), incl.
SB-581	N06007	...	90	45	...	111	...	47Ni-22Cr-19Fe-6Mo	Rod, 0.3125-0.75 in. (8-19 mm), incl.
SB-581	N06030	...	85	45	...	111	...	40Ni-29Cr-15Fe-5Mo	Rod
SB-581	N06975	...	85	45	...	111	...	49Ni-25Cr-18Fe-6Mo	Rod
SB-581	N06985	...	85	45	...	111	...	47Ni-22Cr-20Fe-7Mo	Rod > 0.75-3.5 in. (19-89 mm), incl.
SB-581	N06985	...	90	45	...	111	...	47Ni-22Cr-20Fe-7Mo	Rod, 0.3125-0.75 in. (8-19 mm), incl.
SB-581	N08031	...	94	45	...	111	...	31Ni-36Fe-27Cr-6Mo	Rod
SB-582	N06007	...	85	45	...	111	...	47Ni-22Cr-19Fe-6Mo	Plate, sheet, & strip > 0.75-2.5 in. (19-64 mm), incl.
SB-582	N06007	...	90	45	...	111	...	47Ni-22Cr-19Fe-6Mo	Plate, sheet, & strip ≤ 0.75 in. (19 mm)
SB-582	N06030	...	85	45	...	111	...	40Ni-29Cr-15Fe-5Mo	Plate, sheet, & strip
SB-582	N06975	...	85	45	...	111	...	49Ni-25Cr-18Fe-6Mo	Plate, sheet, & strip
SB-582	N06985	...	85	45	...	111	...	47Ni-22Cr-20Fe-7Mo	Plate, sheet, & strip > 0.75-2.5 in. (19-64 mm), incl.
SB-582	N06985	...	90	45	...	111	...	47Ni-22Cr-20Fe-7Mo	Plate, sheet, & strip ≤ 0.75 in. (19 mm)
SB-599	N08700	...	80	45	...	111	...	25Ni-47Fe-21Cr-5Mo	Plate, sheet, & strip
SB-619	N06002	...	100	43	...	111	...	47Ni-22Cr-9Mo-18Fe	Welded pipe
SB-619	N06007	...	90	45	...	111	...	47Ni-22Cr-19Fe-6Mo	Welded pipe
SB-619	N06022	...	100	44	...	112	...	55Ni-21Cr-13.5Mo	Welded pipe
SB-619	N06030	...	85	45	...	111	...	40Ni-29Cr-15Fe-5Mo	Welded pipe
SB-619	N06059	...	100	44	...	112	...	59Ni-23Cr-16Mo	Welded pipe
SB-619	N06230	...	110	47	...	111	...	53Ni-22Cr-14W-Co-Fe-Mo	Welded pipe
SB-619	N06455	...	100	44	...	112	...	61Ni-16Mo-16Cr	Welded pipe
SB-619	N06975	...	85	45	...	111	...	49Ni-25Cr-18Fe-6Mo	Welded pipe
SB-619	N06985	...	90	45	...	111	...	47Ni-22Cr-20Fe-7Mo	Welded pipe
SB-619	N08031	...	94	45	...	111	...	31Ni-36Fe-27Cr-6Mo	Welded pipe
SB-619	N08320	...	75	45	...	111	...	26Ni-22Cr-5Mo-Ti	Welded pipe
SB-619	N10001	...	100	44	...	112	...	62Ni-28Mo-5Fe	Welded pipe
SB-619	N10276	...	100	44	...	112	...	54Ni-16Mo-15Cr	Welded pipe
SB-619	N10629	...	110	44	66Ni-28Mo-3Fe-1.3Cr-0.25Al	Welded pipe
SB-619	N10665	...	110	44	...	112	...	65Ni-28Mo-2Fe	Welded pipe

WELDING DATA

QW/QB-422

QW/QB-422 NONFERROUS P-NUMBERS AND S-NUMBERS
(Grouping of Base Metals for Qualification)

GENERAL NOTE: To convert from ksi to MPa, multiply tensile strength in table by 6.9.

Spec. No.	UNS No.	Alloy, Type, or Grade	Minimum Specified Tensile, ksi	Welding		Brazing		Nominal Composition	Product Form
				P-No.	S-No.	P-No.	S-No.		
SB-619	N10675	...	110	44	...	112	...	65Ni-29.5Mo-2Cr-2Fe-Mn-W	Welded pipe
SB-619	R20033	...	109	45	33Cr-31Ni-32Fe-1.5Mo-0.6Cu-N	Welded pipe
SB-619	R30556	...	100	45	...	111	...	21Ni-30Fe-22Cr-18Co-3Mo-3W	Welded pipe
B 619	N06059	...	100	...	44	...	112	59Ni-23Cr-16Mo	Welded pipe
B 619	N08031	...	94	...	45	...	111	31Ni-31Fe-27Cr-7Mo	Welded pipe
SB-620	N08320	...	75	45	...	111	...	26Ni-22Cr-5Mo-Ti	Plate, sheet, & strip
SB-621	N08320	...	75	45	...	111	...	26Ni-22Cr-5Mo-Ti	Rod
SB-622	N06002	...	100	43	...	111	...	47Ni-22Cr-9Mo-18Fe	Smls. pipe & tube
SB-622	N06007	...	90	45	...	111	...	47Ni-22Cr-19Fe-6Mo	Smls. pipe & tube
SB-622	N06022	...	100	44	...	112	...	55Ni-21Cr-13.5Mo	Smls. pipe & tube
SB-622	N06030	...	85	45	...	111	...	40Ni-29Cr-15Fe-5Mo	Smls. pipe & tube
SB-622	N06059	...	100	44	...	112	...	59Ni-23Cr-16Mo	Smls. pipe & tube
SB-622	N06230	...	110	47	...	111	...	53Ni-22Cr-14W-Co-Fe-Mo	Smls. pipe & tube
SB-622	N06455	...	100	44	...	112	...	61Ni-16Mo-16Cr	Smls. pipe & tube
SB-622	N06975	...	85	45	...	111	...	49Ni-25Cr-18Fe-6Mo	Smls. pipe & tube
SB-622	N06985	...	90	45	...	111	...	47Ni-22Cr-20Fe-7Mo	Smls. pipe & tube
SB-622	N08031	...	94	45	...	111	...	31Ni-36Fe-27Cr-6Mo	Smls. pipe & tube
SB-622	N08320	...	75	45	...	111	...	26Ni-22Cr-5Mo-Ti	Smls. pipe & tube
SB-622	N10001	...	100	44	...	112	...	62Ni-28Mo-5Fe	Smls. pipe & tube
SB-622	N10276	...	100	44	...	112	...	54Ni-16Mo-15Cr	Smls. pipe & tube
SB-622	N10629	...	110	44	66Ni-28Mo-3Fe-1.3Cr-0.25Al	Smls. pipe & tube
SB-622	N10665	...	110	44	...	112	...	65Ni-28Mo-2Fe	Smls. pipe & tube
SB-622	R20033	...	109	45	33Cr-31Ni-32Fe-1.5Mo-0.6Cu-N	Smls. pipe & tube
SB-622	R30556	...	100	45	...	111	...	21Ni-30Fe-22Cr-18Co-3Mo-3W	Smls. pipe & tube
SB-622	N10675	...	110	44	...	112	...	65Ni-29.5Mo-2Cr-2Fe-Mo-W	Smls. pipe & tube
B 622	N06059	...	100	...	44	...	112	59Ni-23Cr-16Mo	Smls. pipe & tube
B 622	N08031	...	94	...	45	...	111	31Ni-31Fe-27Cr-7Mo	Smls. pipe & tube
B 625	N08926	...	87	...	45	...	111	25Ni-20Cr-6Mo-Co-N	Plate, sheet, & strip
SB-625	N08031	...	94	45	...	111	...	31Ni-36Fe-27Cr-6Mo	Plate, sheet, & strip

QW/QB-422 NONFERROUS P-NUMBERS AND S-NUMBERS
(Grouping of Base Metals for Qualification)

GENERAL NOTE: To convert from ksi to MPa, multiply tensile strength in table by 6.9.

Spec. No.	UNS No.	Alloy, Type, or Grade	Minimum Specified Tensile, ksi	Welding		Brazing		Nominal Composition	Product Form
				P-No.	S-No.	P-No.	S-No.		
SB-625	N08904	...	71	45	...	111	...	44Fe-25Ni-21Cr-Mo	Plate, sheet, & strip
SB-625	N08925	...	87	45	...	111	...	25Ni-20Cr-6Mo-Cu-N	Plate, sheet, & strip
SB-625	R20033	...	109	45	33Cr-31Ni-32Fe-1.5Mo-0.6Cu-N	Plate, sheet, & strip
SB-626	N06002	...	100	43	...	111	...	47Ni-22Cr-9Mo-18Fe	Weided tube
SB-626	N06007	...	90	45	...	111	...	47Ni-22Cr-19Fe-6Mo	Weided tube
SB-626	N06022	...	100	44	...	112	...	55Ni-21Cr-13.5Mo	Weided tube
SB-626	N06030	...	85	45	...	111	...	40Ni-29Cr-15Fe-5Mo	Weided tube
SB-626	N06059	...	100	44	...	112	...	59Ni-23Cr-16Mo	Weided tube
SB-626	N06230	...	110	47	...	111	...	53Ni-22Cr-14W-Co-Fe-Mo	Weided tube
SB-626	N06455	...	100	44	...	112	...	61Ni-16Mo-16Cr	Weided tube
SB-626	N06975	...	85	45	...	111	...	49Ni-25Cr-18Fe-6Mo	Weided tube
SB-626	N06985	...	90	45	...	111	...	47Ni-22Cr-20Fe-7Mo	Weided tube
SB-626	N08031	...	94	45	...	111	...	31Ni-36Fe-27Cr-6Mo	Weided tube
SB-626	N08320	...	75	45	...	111	...	26Ni-22Cr-5Mo-Ti	Weided tube
SB-626	N10001	...	100	44	...	112	...	62Ni-28Mo-5Fe	Weided tube
SB-626	N10276	...	100	44	...	112	...	54Ni-16Mo-15Cr	Weided tube
SB-626	N10629	...	110	44	66Ni-28Mo-3Fe-1.3Cr-0.25Al	Weided tube
SB-626	N10665	...	110	44	...	112	...	65Ni-28Mo-2Fe	Weided tube
SB-626	R20033	...	109	45	33Cr-31Ni-32Fe-1.5Mo-0.6Cu-N	Weided tube
SB-626	R30556	...	100	45	...	111	...	21Ni-30Fe-22Cr-18Co-3Mo-3W	Weided tube
SB-626	N10675	...	110	44	...	112	...	65Ni-29.5Mo-2Cr-2Fe-Mn-W	Weided tube
B 649	N08926	...	87	...	45	...	111	25Ni-20Cr-6Mo-Cu-N	Bar & wire
SB-649	N08904	...	71	45	...	111	...	44Fe-25Ni-21Cr-Mo	Bar & wire
SB-649	N08925	...	87	45	...	111	...	25Ni-20Cr-6Mo-Cu-N	Bar & wire
SB-649	R20033	...	109	45	33Cr-31Ni-32Fe-1.5Mo-0.6Cu-N	Bar & Wire
SB-658	R60702	R60702	55	61	...	117	...	99.2Zr	Smls. & welded pipe
SB-658	R60705	R60705	80	62	...	117	...	95.5Zr+2.5Cb	Smls. & welded pipe
SB-668	N08028	...	73	45	...	111	...	31Ni-31Fe-29Cr-Mo	Smls. tube
SB-672	N08700	...	80	45	...	111	...	25Ni-47Fe-21Cr-5Mo	Bar & wire

QW/QB-422 NONFERROUS P-NUMBERS AND S-NUMBERS
(Grouping of Base Metals for Qualification)

GENERAL NOTE: To convert from ksi to MPa, multiply tensile strength in table by 6.9.

Spec. No.	UNS No.	Alloy, Type, or Grade	Minimum Specified Tensile, ksi	Welding		Brazing		Nominal Composition	Product Form
				P-No.	S-No.	P-No.	S-No.		
B 673	N08926	...	87	...	45	...	111	25Ni-20Cr-6Mo-Cu-N	Welded pipe
SB-673	N08904	...	71	45	...	111	...	44Fe-25Ni-21Cr-Mo	Welded pipe
SB-673	N08925	...	87	45	...	111	...	25Ni-20Cr-6Mo-Cu-N	Welded pipe
SB-674	N08904	...	71	45	...	111	...	44Fe-25Ni-21Cr-Mo	Welded tube
SB-674	N08925	...	87	45	...	111	...	25Ni-20Cr-6Mo-Cu-N	Welded tube
B 674	N08926	...	87	...	45	...	111	25Ni-20Cr-6Mo-Cu-N	Welded tube
SB-675	N08366	...	75	45	...	111	...	46Fe-24Ni-21Cr-6Mo	Welded pipe
SB-675	N08367	...	95	45	...	111	...	46Fe-24Ni-21Cr-6Mo-Cu-N	Welded pipe
SB-676	N08366	...	75	45	...	111	...	46Fe-24Ni-21Cr-6Mo	Welded tube
SB-676	N08367	...	100	45	...	111	...	46Fe-24Ni-21Cr-6Mo-Cu-N	Welded tube
B 677	N08926	...	87	...	45	...	111	25Ni-20Cr-6Mo-Cu-N	Smls. pipe & tube
SB-677	N08904	...	71	45	...	111	...	44Fe-25Ni-21Cr-Mo	Smls. pipe & tube
SB-677	N08925	...	87	45	...	111	...	25Ni-20Cr-6Mo-Cu-N	Smls. pipe & tube
SB-688	N08366	...	75	45	...	111	...	46Fe-24Ni-21Cr-6Mo	Plate, sheet, & strip
SB-688	N08367	...	104	45	...	111	...	46Fe-24Ni-21Cr-6Mo-Cu-N	Plate, sheet, & strip ^{3/16 in. (4.8 mm)}
SB-688	N08367	...	100	45	46Fe-24Ni-21Cr-6Mo-Cu-N	Plate, sheet, & strip ≥ ^{3/16 in. ≤^{3/4 in.}}
SB-688	N08367	...	95	45	46Fe-24Ni-21Cr-6Mo-Cu-N	(≥4.8 mm ≤ 19 mm) Plate, sheet, & strip > ^{3/4 in. (19 mm)}
SB-690	N08366	...	75	45	...	111	...	46Fe-24Ni-21Cr-6Mo	Smls. pipe & tube
SB-690	N08367	...	104	45	...	111	...	46Fe-24Ni-21Cr-6Mo-Cu-N	Smls. pipe & tube
SB-691	N08366	...	75	45	...	111	...	46Fe-24Ni-21Cr-6Mo	Rod, bar, & wire
SB-691	N08367	...	95	45	...	111	...	46Fe-24Ni-21Cr-6Mo-Cu-N	Rod, bar, & wire
SB-704	N06625	...	120	43	...	111	...	60Ni-22Cr-9Mo-3.5Cb	Welded tube
SB-704	N08825	...	85	45	...	111	...	42Ni-21.5Cr-3Mo-2.3Cu	Welded tube
SB-705	N06625	...	120	43	...	111	...	60Ni-22Cr-9Mo-3.5Cb	Welded pipe
SB-705	N08825	...	85	45	...	111	...	42Ni-21.5Cr-3Mo-2.3Cu	Welded pipe

WELDING DATA

QW/QB-422

QW/QB-422 NONFERROUS P-NUMBERS AND S-NUMBERS
(Grouping of Base Metals for Qualification)

GENERAL NOTE: To convert from ksi to MPa, multiply tensile strength in table by 6.9.

Spec. No.	UNS No.	Alloy, Type, or Grade	Minimum Specified Tensile, ksi	Welding		Brazing		Nominal Composition	Product Form
				P- No.	S- No.	P- No.	S- No.		
SB-709	N08028	...	73	45	...	111	...	31Ni-31Fe-29Cr-Mo	Plate, sheet, & strip
SB-710	N08330	...	70	46	...	111	...	35Ni-19Cr-1.25Si	Welded pipe
SB-729	N08020	...	80	45	111	35Ni-35Fe-20Cr-Cb	Smls. pipe & tube
B 725	N02200	...	55	...	41	...	110	99.0Ni	Welded pipe
B 819	C12200	C12200	30	107	99.9Cu-P	Wrought pipe
SB-861	R50250	1	35	51	...	115	...	Ti	Smls. pipe
SB-861	R50400	2	50	51	...	115	...	Ti	Smls. pipe
SB-861	R50550	3	65	52	...	115	...	Ti	Smls. pipe
SB-861	R52400	7	50	51	...	115	...	Ti-Pd	Smls. pipe
SB-861	R53400	12	70	52	...	115	...	Ti-0.3Mo-0.8Ni	Smls. pipe
SB-861	R56320	9	90	53	...	115	...	Ti-3Al-2.5V	Smls. pipe
SB-862	R50250	1	35	51	...	115	...	Ti	Welded pipe
SB-862	R50400	2	50	51	...	115	...	Ti	Welded pipe
SB-862	R50550	3	65	52	...	115	...	Ti	Welded pipe
SB-862	R52400	7	50	51	...	115	...	Ti-Pd	Welded pipe
SB-862	R53400	12	70	52	...	115	...	Ti-0.3Mo-0.8Ni	Welded pipe
SB-862	R56320	9	90	53	...	115	...	Ti-3Al-2.5V	Welded pipe
B 16.18	C83600	...	40	107	5Sn-5Zn-5Pb	Cast fittings
B 16.18	C83800	...	40	107	4Sn-6.5Zn-6Pb	Cast fittings
B 16.18	C84400	...	40	107	2.5Sn-8.5Zn-7Pb	Cast fittings
B 16.22	C10200	...	30	107	99.95Cu-P	Wrought pipe fittings
B 16.22	C12000	...	30	107	99.9Cu-P	Wrought pipe fittings
B 16.22	C12200	...	30	107	99.9Cu-P	Wrought pipe fittings
B 16.22	C23000	...	30	107	85Cu-15Zn	Wrought pipe fittings

QW-423 Alternate Base Materials for Welder Qualification

QW-423.1 Base material used for welder qualification may be substituted for the P-Number material specified in the WPS in accordance with the following.

Base Metal(s) for Welder Qualification	Qualified Production Base Metal(s)
P-No. 1 through P-No. 11, P-No. 34, or P-No. 41 through P-No. 47	P-No. 1 through P-No. 11, P-No. 34, P-No. 41 through P-No. 47 and unassigned metals of similar chemical composition to these metals
P-No. 21 through P-No. 25 P-No. 51 through P-No. 53 or P-No. 61 through P-No. 62	P-No. 21 through P-No. 25 P-No. 51 through P-No. 53 and P-No. 61 through P-No. 62

QW-423.2 Metals used for welder qualification conforming to national or international standards or specifications may be considered as having the same P- or S-Number as an assigned metal provided it meets the mechanical and chemical requirements of the assigned metal. The base metal specification and corresponding P- or S-Number shall be recorded on the qualification record.

QW-424 Base Metals Used for Procedure Qualification

QW-424.1 Base metals are assigned P-Numbers in QW/QB-422; metals which do not appear in QW/QB-422 are considered to be unassigned metals except as otherwise defined in QW-420.1 for base metals having

the same UNS numbers. Unassigned metals shall be identified in the WPS and on the PQR by specification, type and grade, or by chemical analysis and mechanical properties. The minimum tensile strength shall be defined by the organization which specified the unassigned metal if the tensile strength of that metal is not defined by the material specification.

Base Metal(s) Used for Procedure Qualification Coupon	Base Metals Qualified
One metal from a P-Number to any metal from the same P-Number	Any metals assigned that P-Number
One metal from a P-Number to any metal from any other P-Number	Any metal assigned the first P-Number to any metal assigned the second P-Number
One metal from P-No. 3 to any metal from P-No. 3	Any P-No.3 metal to any metal from P-No. 3 or P-No. 1
One metal from P-No. 4 to any metal from P-No. 4	Any P-No. 4 metal to any metal from P-Nos. 4, 3, or 1
One metal from P-No. 5A to any metal from P-No. 5A	Any P-No. 5A metal to any metal from P-Nos. 5A, 4, 3, or 1 metals
One metal from P-No. 5A to a metal from P-No. 4, or P-No. 3, or P-No. 1	Any P-No. 5A metal to any metal assigned to P-No. 4, or P-No. 3, or P-No. 1
One metal from P-No. 4 to a metal from P-No. 3 or P-No. 1	Any P-No. 4 metal to any metal assigned to P-No. 3 or P-No. 1
Any unassigned metal to the same unassigned metal	The unassigned metal to itself
Any unassigned metal to any P-Number metal	The unassigned metal to any metal assigned to the same P-Number as the qualified metal
Any unassigned metal to any other unassigned metal	The first unassigned metal to the second unassigned metal

QW-430 F-NUMBERS

QW-431 General

The following F-Number grouping of electrodes and welding rods in QW-432 is based essentially on their usability characteristics, which fundamentally determine the ability of welders to make satisfactory welds with a given filler metal. This grouping is made to reduce the number of welding procedure and performance qualifications, where this can logically be done. The grouping does not imply that base metals or filler metals within a group may be indiscriminately substituted for

a metal which was used in the qualification test without consideration of the compatibility of the base and filler metals from the standpoint of metallurgical properties, postweld heat treatment design and service requirements, and mechanical properties.

- QW-432.1 Steel and Steel Alloys
- QW-432.2 Aluminum and Aluminum-Base Alloys
- QW-432.3 Copper and Copper-Base Alloys
- QW-432.4 Nickel and Nickel-Base Alloys
- QW-432.5 Titanium and Titanium Alloys
- QW-432.6 Zirconium and Zirconium Alloys
- QW-432.7 Hard-Facing Weld Metal Overlay

**QW-432
F-NUMBERS
Grouping of Electrodes and Welding Rods for Qualification**

F-No.	ASME Specification	AWS Classification
Steel and Steel Alloys		
1	SFA-5.1	EXX20
1	SFA-5.1	EXX22
1	SFA-5.1	EXX24
1	SFA-5.1	EXX27
1	SFA-5.1	EXX28
1	SFA-5.4	EXXX(X)-25
1	SFA-5.4	EXXX(X)-26
1	SFA-5.5	EXX20-X
1	SFA-5.5	EXX27-X
2	SFA-5.1	EXX12
2	SFA-5.1	EXX13
2	SFA-5.1	EXX14
2	SFA-5.1	EXX19
2	SFA-5.5	E(X)XX13-X
3	SFA-5.1	EXX10
3	SFA-5.1	EXX11
3	SFA-5.5	E(X)XX10-X
3	SFA-5.5	E(X)XX11-X
4	SFA-5.1	EXX15
4	SFA-5.1	EXX16
4	SFA-5.1	EXX18
4	SFA-5.1	EXX18M
4	SFA-5.1	EXX48
4	SFA-5.4 other than austenitic and duplex	EXXX(X)-15
4	SFA-5.4 other than austenitic and duplex	EXXX(X)-16
4	SFA-5.4 other than austenitic and duplex	EXXX(X)-17

WELDING DATA

QW-432

QW-432
F-NUMBERS (CONT'D)

Grouping of Electrodes and Welding Rods for Qualification

F-No.	ASME Specification	AWS Classification
Steel and Steel Alloys (cont'd)		
4	SFA-5.5	E(X)XX15-X
4	SFA-5.5	E(X)XX16-X
4	SFA-5.5	E(X)XX18-X
4	SFA-5.5	E(X)XX18M
4	SFA-5.5	E(X)XX18M1
5	SFA-5.4 austenitic and duplex	EXXX(X)-15
5	SFA-5.4 austenitic and duplex	EXXX(X)-16
5	SFA-5.4 austenitic and duplex	EXXX(X)-17
6	SFA-5.2	All classifications
6	SFA-5.9	All classifications
6	SFA-5.17	All classifications
6	SFA-5.18	All classifications
6	SFA-5.20	All classifications
6	SFA-5.22	All classifications
6	SFA-5.23	All classifications
6	SFA-5.25	All classifications
6	SFA-5.26	All classifications
6	SFA-5.28	All classifications
6	SFA-5.29	All classifications
6	SFA-5.30	INMs-X
6	SFA-5.30	IN5XX
6	SFA-5.30	IN3XX(X)
Aluminum and Aluminum Alloys		
21	SFA-5.3	E1100
21	SFA-5.3	E3003
21	SFA-5.10	ER1100
21	SFA-5.10	R1100
21	SFA-5.10	ER1188
21	SFA-5.10	R1188
22	SFA-5.10	ER5183
22	SFA-5.10	R5183
22	SFA-5.10	ER5356
22	SFA-5.10	R5356
22	SFA-5.10	ER5554
22	SFA-5.10	R5554
22	SFA-5.10	ER5556
22	SFA-5.10	R5556
22	SFA-5.10	ER5654
22	SFA-5.10	R5654
23	SFA-5.3	E4043
23	SFA-5.10	ER4009
23	SFA-5.10	R4009
23	SFA-5.10	ER4010
23	SFA-5.10	R4010
23	SFA-5.10	R4011
23	SFA-5.10	ER4043
23	SFA-5.10	R4043
23	SFA-5.10	ER4047
23	SFA-5.10	R4047
23	SFA-5.10	ER4145

QW-432
F-NUMBERS (CONT'D)
Grouping of Electrodes and Welding Rods for Qualification

F-No.	ASME Specification	AWS Classification
Aluminum and Aluminum Alloys (cont'd)		
23	SFA-5.10	R4145
23	SFA-5.10	ER4643
23	SFA-5.10	R4643
24	SFA-5.10	R206.0
24	SFA-5.10	R-C355.0
24	SFA-5.10	R-A356.0
24	SFA-5.10	R357.0
24	SFA-5.10	R-A357.0
25	SFA-5.10	ER2319
25	SFA-5.10	R2319
Copper and Copper Alloys		
31	SFA-5.6	ECu
31	SFA-5.7	ERCu
32	SFA-5.6	ECuSi
32	SFA-5.7	ERCuSi-A
33	SFA-5.6	ECuSn-A
33	SFA-5.6	ECuSn-C
33	SFA-5.7	ERCuSn-A
34	SFA-5.6	ECuNi
34	SFA-5.7	ERCuNi
34	SFA-5.30	IN67
35	SFA-5.8	RBCuZn-A
35	SFA-5.8	RBCuZn-B
35	SFA-5.8	RBCuZn-C
35	SFA-5.8	RBCuZn-D
36	SFA-5.6	ECuAl-A2
36	SFA-5.6	ECuAl-B
36	SFA-5.7	ERCuAl-A1
36	SFA-5.7	ERCuAl-A2
36	SFA-5.7	ERCuAl-A3
37	SFA-5.6	ECuNiAl
37	SFA-5.6	ECuMnNiAl
37	SFA-5.7	ERCuNiAl
37	SFA-5.7	ERCuMnNiAl
Nickel and Nickel Alloys		
41	SFA-5.11	ENi-1
41	SFA-5.14	ERNi-1
41	SFA-5.30	IN61
42	SFA-5.11	ENiCu-7
42	SFA-5.14	ERNiCu-7
42	SFA-5.14	ERNiCu-8
42	SFA-5.30	IN60

WELDING DATA

QW-432

QW-432

F-NUMBERS (CONT'D)

Grouping of Electrodes and Welding Rods for Qualification

F-No.	ASME Specification	AWS Classification
Nickel and Nickel Alloys (cont'd)		
43	SFA-5.11	ENiCrFe-1
43	SFA-5.11	ENiCrFe-2
43	SFA-5.11	ENiCrFe-3
43	SFA-5.11	ENiCrFe-4
43	SFA-5.11	ENiCrFe-7
43	SFA-5.11	ENiCrFe-9
43	SFA-5.11	ENiCrFe-10
43	SFA-5.11	ENiCrMo-2
43	SFA-5.11	ENiCrMo-3
43	SFA-5.11	ENiCrMo-6
43	SFA-5.11	ENiCrMo-12
43	SFA-5.11	ENiCrCoMo-1
43	SFA-5.14	ERNiCr-3
43	SFA-5.14	ERNiCr-4
43	SFA-5.14	ERNiCr-6
43	SFA-5.14	ERNiCrFe-5
43	SFA-5.14	ERNiCrFe-6
43	SFA-5.14	ERNiCrFe-7
43	SFA-5.14	ERNiCrFe-8
43	SFA-5.14	ERNiCrFe-11
43	SFA-5.14	ERNiCrCoMo-1
43	SFA-5.14	ERNiCrMo-2
43	SFA-5.14	ERNiCrMo-3
43	SFA-5.30	IN6A
43	SFA-5.30	IN62
43	SFA-5.30	IN82
44	SFA-5.11	ENiMo-1
44	SFA-5.11	ENiMo-3
44	SFA-5.11	ENiMo-7
44	SFA-5.11	ENiMo-8
44	SFA-5.11	ENiMo-9
44	SFA-5.11	ENiMo-10
44	SFA-5.11	ENiCrMo-4
44	SFA-5.11	ENiCrMo-5
44	SFA-5.11	ENiCrMo-7
44	SFA-5.11	ENiCrMo-10
44	SFA-5.11	ENiCrMo-13
44	SFA-5.11	ENiCrMo-14
44	SFA-5.14	ERNiMo-1
44	SFA-5.14	ERNiMo-2
44	SFA-5.14	ERNiMo-3
44	SFA-5.14	ERNiMo-7 (B2)
44	SFA-5.14	ERNiMo-8
44	SFA-5.14	ERNiMo-9
44	SFA-5.14	ERNiMo-10
44	SFA-5.14	ERNiCrMo-4
44	SFA-5.14	ERNiCrMo-7 (Alloy C4)
44	SFA-5.14	ERNiCrMo-10
44	SFA-5.14	ERNiCrMo-13
44	SFA-5.14	ERNiCrMo-14
44	SFA-5.14	ERNiCrWMo-1
45	SFA-5.11	ENiCrMo-1
45	SFA-5.11	ENiCrMo-9

QW-432
F-NUMBERS (CONT'D)
Grouping of Electrodes and Welding Rods for Qualification

F-No.	ASME Specification	AWS Classification
Nickel and Nickel Alloys (cont'd)		
45	SFA-5.11	ENiCrMo-11
45	SFA-5.14	ERNiCrMo-1
45	SFA-5.14	ERNiCrMo-8
45	SFA-5.14	ERNiCrMo-9
45	SFA-5.14	ERNiCrMo-11
45	SFA-5.14	ERNiFeCr-1
Titanium and Titanium Alloys		
51	SFA-5.16	ERTi-1
51	SFA-5.16	ERTi-2
51	SFA-5.16	ERTi-3
51	SFA-5.16	ERTi-4
52	SFA-5.16	ERTi-7
53	SFA-5.16	ERTi-9
53	SFA-5.16	ERTi-9ELI
54	SFA-5.16	ERTi-12
55	SFA-5.16	ERTi-5
55	SFA-5.16	ERTi-5ELI
55	SFA-5.16	ERTi-6
55	SFA-5.16	ERTi-6ELI
55	SFA-5.16	ERTi-15
Zirconium and Zirconium Alloys		
61	SFA-5.24	ERZr2
61	SFA-5.24	ERZr3
61	SFA-5.24	ERZr4
Hard-Facing Weld Metal Overlay		
71	SFA-5.13	All classifications
72	SFA-5.21	All classifications

QW-433 Alternate F-Numbers for Welder Performance Qualification

The following tables identify the filler metal or electrode that the welder used during qualification testing as "Qualified With," and the electrodes or filler metals that the welder is qualified to use in production welding as "Qualified For." See QW-432 for the F-Number assignments.

Qualified With →	F-No. 1 With Backing	F-No. 1 Without Backing	F-No. 2 With Backing	F-No. 2 Without Backing	F-No. 3 With Backing	F-No. 3 Without Backing	F-No. 4 With Backing	F-No. 4 Without Backing	F-No. 5 With Backing	F-No. 5 Without Backing
Qualified For ↓										
F-No. 1 With Backing	X	X	X	X	X	X	X	X	X	X
F-No. 1 Without Backing		X								
F-No. 2 With Backing			X	X	X	X	X	X		
F-No. 2 Without Backing				X						
F-No. 3 With Backing					X	X	X	X		
F-No. 3 Without Backing						X				
F-No. 4 With Backing							X	X		
F-No. 4 Without Backing								X		
F-No. 5 With Backing									X	X
F-No. 5 Without Backing										X

<u>Qualified With</u>	<u>Qualified For</u>
Any F-No. 6	All F-No. 6 [Note (1)]
Any F-No. 21 through F-No. 25	All F-No. 21 through F-No. 25
Any F-No. 31, F-No. 32, F-No. 33, F-No. 35, F-No. 36, or F-No. 37	Only the same F-Number as was used during the qualification test
F-No. 34 or any F-No. 41 through F-No. 45	F-No. 34 and all F-No. 41 through F-No. 45
Any F-No. 51 through F-No. 54	All F-No. 51 through F-No. 54
Any F-No. 61	All F-No. 61
Any F-No. 71 through F-No. 72	Only the same F-Number as was used during the qualification test

NOTE:
 (1) Deposited weld metal made using a bare rod not covered by an SFA Specification but which conforms to an analysis listed in QW-442 shall be considered to be classified as F-No. 6.

**QW-440 WELD METAL CHEMICAL
COMPOSITION**

QW-441 General

Identification of weld metal chemical composition designated on the PQR and WPS shall be as given in QW-404.5.

**QW-442
A-NUMBERS
Classification of Ferrous Weld Metal Analysis for Procedure Qualification**

A-No.	Types of Weld Deposit	Analysis, % [Note (1)]					
		C	Cr	Mo	Ni	Mn	Si
1	Mild Steel	0.20	1.60	1.00
2	Carbon-Molybdenum	0.15	0.50	0.40-0.65	...	1.60	1.00
3	Chrome (0.4% to 2%)-Molybdenum	0.15	0.40-2.00	0.40-0.65	...	1.60	1.00
4	Chrome (2% to 6%)-Molybdenum	0.15	2.00-6.00	0.40-1.50	...	1.60	2.00
5	Chrome (6% to 10.5%)-Molybdenum	0.15	6.00-10.50	0.40-1.50	...	1.20	2.00
6	Chrome-Martensitic	0.15	11.00-15.00	0.70	...	2.00	1.00
7	Chrome-Ferritic	0.15	11.00-30.00	1.00	...	1.00	3.00
8	Chromium-Nickel	0.15	14.50-30.00	4.00	7.50-15.00	2.50	1.00
9	Chromium-Nickel	0.30	19.00-30.00	6.00	15.00-37.00	2.50	1.00
10	Nickel to 4%	0.15	...	0.55	0.80-4.00	1.70	1.00
11	Manganese-Molybdenum	0.17	...	0.25-0.75	0.85	1.25-2.25	1.00
12	Nickel-Chrome - Molybdenum	0.15	1.50	0.25-0.80	1.25-2.80	0.75-2.25	1.00

NOTE:

(1) Single values shown above are maximum.

QW-450 SPECIMENS
QW-451 Procedure Qualification Thickness Limits and Test Specimens

QW-451.1
GROOVE-WELD TENSION TESTS AND TRANSVERSE-BEND TESTS

Thickness <i>T</i> of Test Coupon Welded, in. (mm)	Range of Thickness <i>T</i> of Base Metal Qualified, in. (mm) [Notes (1) and (2)]		Thickness <i>t</i> of Deposited Weld Metal Qualified, in. (mm) [Notes (1) and (2)]	Type and Number of Tests Required (Tension and Guided-Bend Tests) [Note (2)]				
	Min.	Max.		Tension, QW-150	Side Bend, QW-160	Face Bend, QW-160	Root Bend, QW-160	
Less than $\frac{1}{16}$ (1.6)	<i>T</i>	2 <i>T</i>	2 <i>t</i>	2	...	2	2	
$\frac{1}{16}$ to $\frac{3}{8}$ (1.6 to 10), incl.	$\frac{1}{16}$ (1.6)	2 <i>T</i>	2 <i>t</i>	2	Note (3)	2	2	
Over $\frac{3}{8}$ (10), but less than $\frac{3}{4}$ (19)	$\frac{3}{16}$ (4.8)	2 <i>T</i>	2 <i>t</i>	2	Note (3)	2	2	
$\frac{3}{4}$ (19) to less than $1\frac{1}{2}$ (38)	$\frac{3}{16}$ (4.8)	2 <i>T</i>	2 <i>t</i> when $t < \frac{3}{4}$ (19)	2 [Note (4)]	4	
$1\frac{1}{2}$ (38) to less than $1\frac{3}{4}$ (38)	$\frac{3}{16}$ (4.8)	2 <i>T</i>	2 <i>T</i> when $t \geq \frac{3}{4}$ (19)	2 [Note (4)]	4	
$1\frac{1}{2}$ (38) and over	$\frac{3}{16}$ (4.8)	8 (203) [Note (5)]	2 <i>t</i> when $t < \frac{3}{4}$ (19)	2 [Note (4)]	4	
$1\frac{3}{4}$ (38) and over	$\frac{3}{16}$ (4.8)	8 (203) [Note (5)]	8 (203) [Note (5)] when $t \geq \frac{3}{4}$ (19)	2 [Note (4)]	4	

NOTES:
 (1) See QW-403 (.2, .3, .6, .9, .10), QW-404.32, and QW-407.4 for further limits on range of thickness qualified. Also, see QW-202 (.2, .3, .4) for allowable exceptions.
 (2) For combination of welding procedures, see QW-200.4.
 (3) Four side-bend tests may be substituted for the required face- and root-bend tests, when thickness *T* is $\frac{3}{8}$ in. (10 mm) and over.
 (4) See QW-151 (.1, .2, .3) for details on multiple specimens when coupon thicknesses are over 1 in. (25 mm).
 (5) For the welding processes of QW-403.7 only; otherwise per Note (1) or 2*T*, or 2*t*, whichever is applicable.

QW-451.2
GROOVE-WELD TENSION TESTS AND LONGITUDINAL-BEND TESTS

Thickness <i>T</i> of Test Coupon Welded, in. (mm)	Range of Thickness <i>T</i> of Base Metal Qualified, in. (mm) [Notes (1) and (2)]		Thickness <i>t</i> of Deposited Weld Metal Qualified, in. (mm) [Notes (1) and (2)]		Type and Number of Tests Required (Tension and Guided-Bend Tests) [Note (2)]		
	Min.	Max.	Min.	Max.	Tension, QW-150	Face Bend, QW-160	Root Bend, QW-160
Less than 1/16 (1.6)	<i>T</i>	2 <i>T</i>		2 <i>t</i>	2	2	2
1/16 to 3/8 (1.6 to 10), incl.	1/16 (1.6)	2 <i>T</i>		2 <i>t</i>	2	2	2
Over 3/8 (10)	3/16 (4.8)	2 <i>T</i>		2 <i>t</i>	2	2	2

NOTES:

(1) See QW-403 (.2, .3, .6, .7, .9, .10), QW-404.32, and QW-407.4 for further limits on range of thickness qualified. These are also applicable to deposited weld metal thicknesses. Also, see QW-202 (.2, .3, .4) for allowable exceptions.

(2) For combination of welding procedures, see QW-200.4.

QW-451.3
FILLET-WELD TESTS

Type of Joint	Thickness of Test Coupons as Welded, in.	Range Qualified	Type and Number of Tests Required [QW-462.4(a) or QW-462.4(d)]
			Macro
Fillet	Per QW-462.4(a)	All fillet sizes on all base metal thicknesses and all diameters	5
Fillet	Per QW-462.4(d)		4

GENERAL NOTE: A production assembly mockup may be substituted in accordance with QW-181.1.1. When a production assembly mockup is used, the range qualified shall be limited to the fillet weld size, base metal thickness, and configuration of the mockup. Alternatively, multiple production assembly mockups may be qualified. The range of thickness of the base metal qualified shall be no less than the thickness of the thinner member tested and no greater than the thickness of the thicker member tested. The range for fillet weld sizes qualified shall be limited to no less than the smallest fillet weld tested and no greater than the largest fillet weld tested. The configuration of production assemblies shall be the same as that used in the production assembly mockup.

QW-451.4
FILLET WELDS QUALIFIED BY GROOVE-WELD TESTS

Thickness of Test Coupon (Plate or Pipe) as Welded	Range Qualified	Type and Number of Tests Required
All groove tests	All fillet sizes on all base metal thicknesses and all diameters	Fillet welds are qualified when the groove weld is qualified in accordance with either QW-451.1 or QW-451.2 (see QW-202.2)

QW-452 Performance Qualification Thickness Limits and Test Specimens

QW-452.1
TRANSVERSE-BEND TESTS

Type of Joint	Thickness of Test Coupon Welded, in. (mm) [Note (1)]	Thickness t of Deposited Weld Metal Qualified, in. [Note (2)] (See QW-310.1)	Type and Number of Tests Required (Guided-Bend Tests) [Notes (3), (4), (5)]		
			Side Bend, QW-462.2	Face Bend, QW-462.3(a)	Root Bend, QW-462.3(a) [Note (6)]
Groove	Up to $\frac{3}{8}$ (10), incl.	$2t$	Note (7)	1	1
Groove	Over $\frac{3}{8}$ (10)	$2t$	Note (8)	1	1
Groove	$\frac{1}{2}$ (13) and over [Note (9)]	Max. to be welded	2

NOTES:

- (1) When using one, two, or more welders, the thickness t of the deposited weld metal for each welder with each process shall be determined and used individually in the Thickness column.
- (2) Two or more pipe test coupons of different thicknesses may be used to determine the deposited weld metal thickness qualified and that thickness may be applied to production welds to the smallest diameter for which the welder is qualified in accordance with QW-452.3.
- (3) Thickness of test coupon of $\frac{1}{2}$ in. (13 mm) or over shall be used for qualifying a combination of three or more welders each of which may use the same or a different welding process.
- (4) To qualify for positions 5G and 6G, as prescribed in QW-302.3, two root and two face-bend specimens or four side bend specimens, as applicable to the test coupon thickness, are required.
- (5) Test coupons shall be visually examined per QW-302.4.
- (6) Face- and root-bend tests may be used to qualify a combination test of:
 - (a) one welder using two welding processes; or
 - (b) two welders using the same or a different welding process.
- (7) For a $\frac{3}{8}$ in. (10 mm) thick coupon, a side-bend test may be substituted for each of the required face- and root-bend tests.
- (8) A side-bend test may be substituted for each of the required face- and root-bend tests.
- (9) Test coupon weld deposit shall also consist of a minimum of three layers of weld metal.

QW-452.2
LONGITUDINAL-BEND TESTS

Type of Joint	Thickness Test Coupon Welded, in. (mm) [Note (1)]	Thickness t of Deposited Weld Metal Qualified, in. (mm) Max.	Type and Number of Tests Required (Guided-Bend Tests) [Note (2)]	
			Face Bend, QW-462.3(b) [Note (3)]	Root Bend, QW-462.3(b) [Note (3)]
Groove	Up to $\frac{3}{8}$ (10), incl.	$2t$	1	1
Groove	Over $\frac{3}{8}$ (10)	$2t$	1	1

NOTES:

- (1) When using one, two, or more welders, the thickness t of the deposited weld metal for each welder with each process shall be determined and used individually in the Thickness column.
- (2) Thickness of test coupon of $\frac{3}{4}$ in. (19 mm) or over shall be used for qualifying a combination of three or more welders, each of which may use the same or a different welding process.
- (3) Face- and root-bend tests may be used to qualify a combination test of:
 - (a) one welder using two welding processes; or
 - (b) two welders using the same or a different welding process.

QW-452.3
GROOVE-WELD DIAMETER LIMITS

Outside Diameter of Test Coupon, in. (mm)	Outside Diameter Qualified, in. (mm)	
	Min.	Max.
Less than 1 (25)	Size welded	Unlimited
1 (25) to less than $2\frac{7}{8}$ (73)	1 (25)	Unlimited
$2\frac{7}{8}$ (73) and over	$2\frac{7}{8}$ (73)	Unlimited

GENERAL NOTES:

- (a) Type and number of tests required shall be in accordance with QW-452.1.
- (b) $2\frac{7}{8}$ in. (73 mm) O.D. is the equivalent of NPS $2\frac{1}{2}$.

**QW-452.4
SMALL DIAMETER FILLET-WELD TEST**

Outside Diameter of Test Coupon, in. (mm)	Minimum Outside Diameter Qualified, in. (mm)	Thickness Qualified
Less than 1 (25)	Size welded	All
1 (25) to less than 2 ⁷ / ₈ (73)	1 (25)	All
2 ⁷ / ₈ (73) and over	2 ⁷ / ₈ (73)	All

GENERAL NOTES:

- (a) Type and number of tests required shall be in accordance with QW-452.5.
- (b) 2⁷/₈ in. (73 mm) O.D. is considered the equivalent of NPS 2¹/₂.

**QW-452.5
FILLET-WELD TEST**

Type of Joint	Thickness of Test Coupon as Welded, in. (mm)	Range Qualified	Type and Number of Tests Required [QW-462.4(b) or QW-462.4(c)]	
			Macro	Fracture
Tee fillet	³ / ₁₆ - ³ / ₈ (4.8-10)	All base material thicknesses, fillet sizes, and diameters 2 ⁷ / ₈ (73) O.D. and over [Note (1)]	1	1
	Less than ³ / ₁₆ (4.8)	T to 2T base material thickness, T maximum fillet size, and all diameters 2 ⁷ / ₈ (73) O.D. and over [Note (1)]	1	1

GENERAL NOTE: Production assembly mockups may be substituted in accordance with QW-181.2.1. When production assembly mockups are used, range qualified shall be limited to the fillet sizes, base metal thicknesses, and configuration of the mockup.

NOTE:

- (1) 2⁷/₈ in. (73 mm) O.D. is considered the equivalent of NPS 2¹/₂. For smaller diameter qualifications, refer to QW-452.4 or QW-452.6.

**QW-452.6
FILLET QUALIFICATION BY GROOVE-WELD TESTS**

Type of Joint	Thickness of Test Coupon as Welded, in. (mm)	Range Qualified	Type and Number of Tests Required
Any groove	All thicknesses	All base material thicknesses, fillet sizes, and diameters	Fillet welds are qualified when a welder/welding operator qualifies on a groove weld test

QW-453
PROCEDURE/PERFORMANCE QUALIFICATION THICKNESS LIMITS AND TEST
SPECIMENS FOR HARD-FACING (WEAR-RESISTANT) AND CORROSION-
RESISTANT OVERLAYS

Thickness of Test Coupon (<i>T</i>)	Corrosion-Resistant [Note (1)] Overlay		Hard-facing Overlay (Wear-Resistant) [Note (2)]	
	Nominal Base Metal Thickness Qualified (<i>T</i>)	Type and Number of Tests Required	Nominal Base Metal Thickness Qualified (<i>T</i>)	Type and Number of Tests Required
Procedure Qualification Testing				
Less than 1 in. (25 mm) <i>T</i>	<i>T</i> qualified to unlimited	Notes (4), (5), and (9)	<i>T</i> qualified up to 1 in. (25 mm)	Notes (3), (7), (8), and (9)
1 in. (25 mm) and over <i>T</i>	1 in. (25 mm) to unlimited		1 in. (25 mm) to unlimited	
Performance Qualification Testing				
Less than 1 in. (25 mm) <i>T</i>	<i>T</i> qualified to unlimited	Note (6)	<i>T</i> qualified to unlimited	Notes (8) and (10)
1 in. (25 mm) and over <i>T</i>	1 in. (25 mm) to unlimited		1 in. (25 mm) to unlimited	

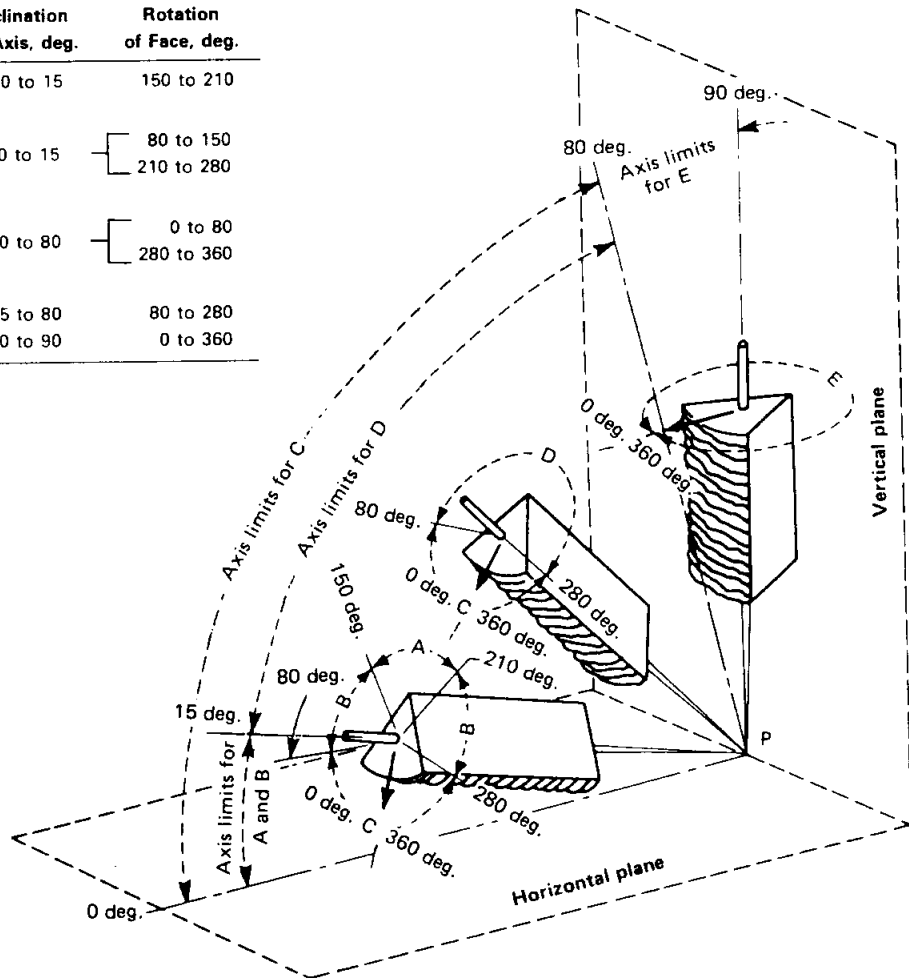
NOTES:

- (1) The qualification test coupon shall consist of base metal not less than 6 in. (152 mm) × 6 in. (152 mm). The weld overlay cladding shall be a minimum of 1½ in. (38 mm) wide by approximately 6 in. (152 mm) long. For qualification on pipe, the pipe length shall be a minimum of 6 in. (152 mm), and a minimum diameter to allow the required number of test specimens. The weld overlay shall be continuous around the circumference of the test coupon. For processes (performance qualification only) depositing a weld bead width greater than ½ in. (13 mm) wide, the weld overlay shall consist of a minimum of three weld beads in the first layer.
- (2) The test base metal coupon shall have minimum dimensions of 6 in. (152 mm) wide × approximately 6 in. (152 mm) long with a hard-faced layer a minimum of 1½ in. (38 mm) wide × 6 in. (152 mm) long. The minimum hard-faced thickness shall be as specified in the Welding Procedure Specification. Alternatively, the qualification may be performed on a test base metal coupon that represents the size of the production part. For qualification on pipe, the pipe length shall be 6 in. (152 mm) minimum, and of a minimum diameter to allow the required number of test specimens. The weld overlay shall be continuous around the circumference of the test coupon.
- (3) The hard-facing surface shall be examined by the liquid penetrant method and shall meet the acceptance standards in QW-195.2 or as specified in the WPS. Surface conditioning prior to liquid penetrant examination is permitted.
- (4) The corrosion-resistant surface shall be examined by the liquid penetrant method and shall meet the acceptance standards as specified in QW-195.
- (5) Following the liquid penetrant examination, four guided side-bend tests shall be made from the test coupon in accordance with QW-161. The test specimens shall be cut so that there are either two specimens parallel and two specimens perpendicular to the direction of the welding, or four specimens perpendicular to the direction of the welding. For coupons that are less than ⅜ in. (10 mm) thick, the width of the side-bend specimens may be reduced to the thickness of the test coupon. The side-bend specimens shall be removed from locations specified in QW-462.5(c) or QW-462.5(d).
- (6) The test coupon shall be sectioned to make side-bend test specimens perpendicular to the direction of the welding in accordance with QW-161. Test specimens shall be removed at locations specified in QW-462.5(c) or QW-462.5(d).
- (7) After surface conditioning to the minimum thickness specified in the WPS, a minimum of three hardness readings shall be made on each of the specimens from the locations shown in QW-462.5(b) or QW-462.5(e). All readings shall meet the requirements of the WPS.
- (8) The base metal shall be sectioned transversely to the direction of the hard-facing overlay. The two faces of the hard-facing exposed by sectioning shall be polished and etched with a suitable etchant and shall be visually examined with ×5 magnification for cracks in the base metal or the heat-affected zone, lack of fusion, or other linear defects. The overlay and the base metal shall meet the requirements specified in the WPS. All exposed faces shall be examined. See QW-462.5(b) for pipe and QW-462.5(e) for plate.
- (9) When a chemical composition is specified in the WPS, chemical analysis specimens shall be removed at locations specified in QW-462.5(b) or QW-462.5(e). The chemical analysis shall be performed in accordance with QW-462.5(a) and shall be within the range specified in the WPS. This chemical analysis is not required when a chemical composition is not specified on the WPS.
- (10) At a thickness greater than or equal to the minimum thickness specified in the WPS, the weld surface shall be examined by the liquid penetrant method and shall meet the acceptance standards in QW-195.2 or as specified in the WPS. Surface conditioning prior to liquid penetrant examination is permitted.

QW-460 GRAPHICS

QW-461 Positions

Tabulation of Positions of Welds			
Position	Diagram Reference	Inclination of Axis, deg.	Rotation of Face, deg.
Flat	A	0 to 15	150 to 210
Horizontal	B	0 to 15	80 to 150
			210 to 280
Overhead	C	0 to 80	0 to 80
			280 to 360
Vertical	D	15 to 80	80 to 280
	E	80 to 90	0 to 360



GENERAL NOTE:

The horizontal reference plane is taken to lie always below the weld under consideration.

Inclination of axis is measured from the horizontal reference plane toward the vertical.

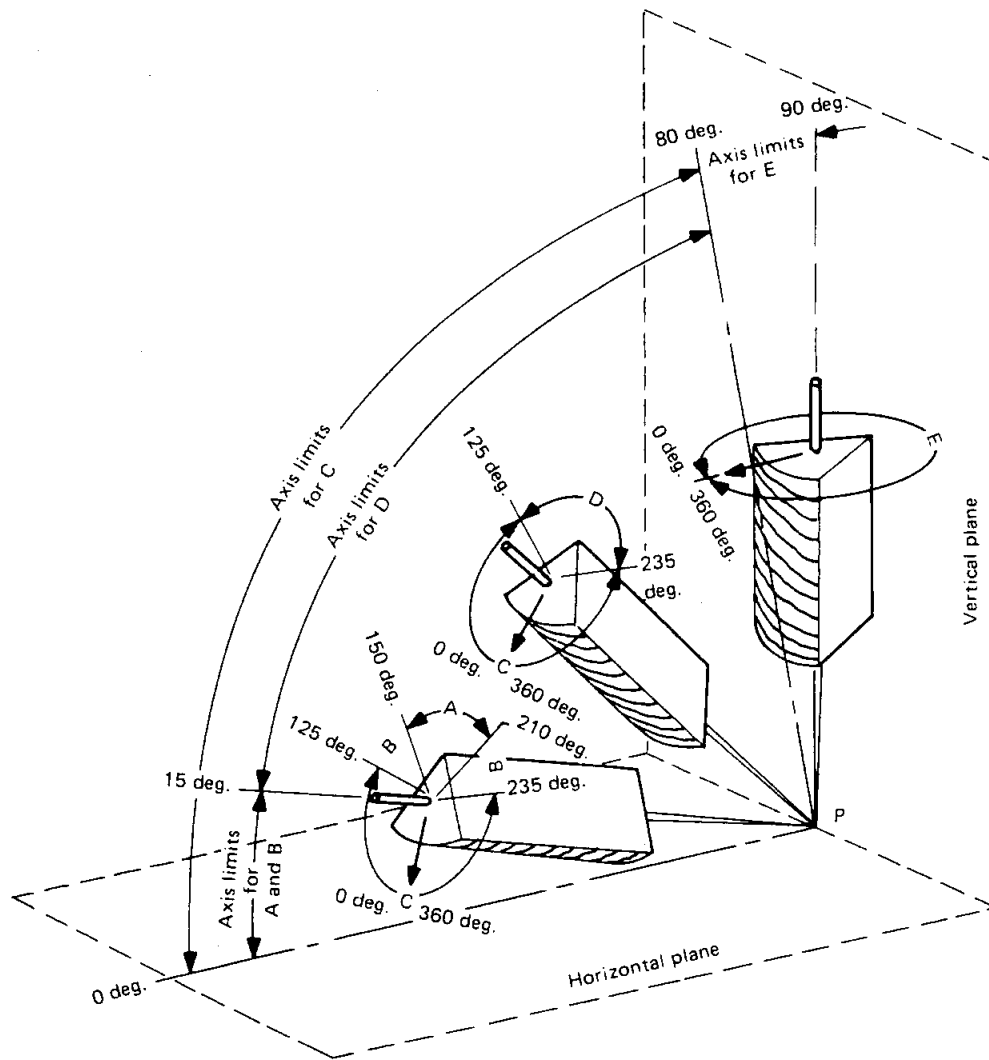
Angle of rotation of face is measured from a line perpendicular to the axis of the weld and lying in a vertical plane containing this axis. The reference position (0 deg.) of rotation of the face invariably points in the direction opposite to that in which the axis angle increases. The angle of rotation of the face of weld is measured in a clockwise direction from this reference position (0 deg.) when looking at point P.

QW-461.1 POSITIONS OF WELDS — GROOVE WELDS

WELDING DATA

QW-461.2

Tabulation of Positions of Fillet Welds			
Position	Diagram Reference	Inclination of Axis, deg.	Rotation of Face, deg.
Flat	A	0 to 15	150 to 210
Horizontal	B	0 to 15	125 to 150 210 to 235
Overhead	C	0 to 80	0 to 125 235 to 360
Vertical	D	15 to 80	125 to 235
	E	80 to 90	0 to 360

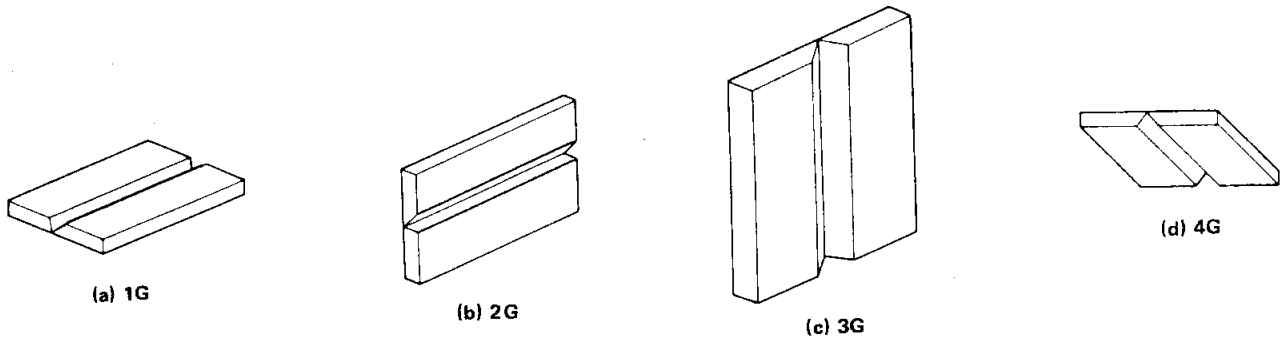


QW-461.2 POSITIONS OF WELDS — FILLET WELDS

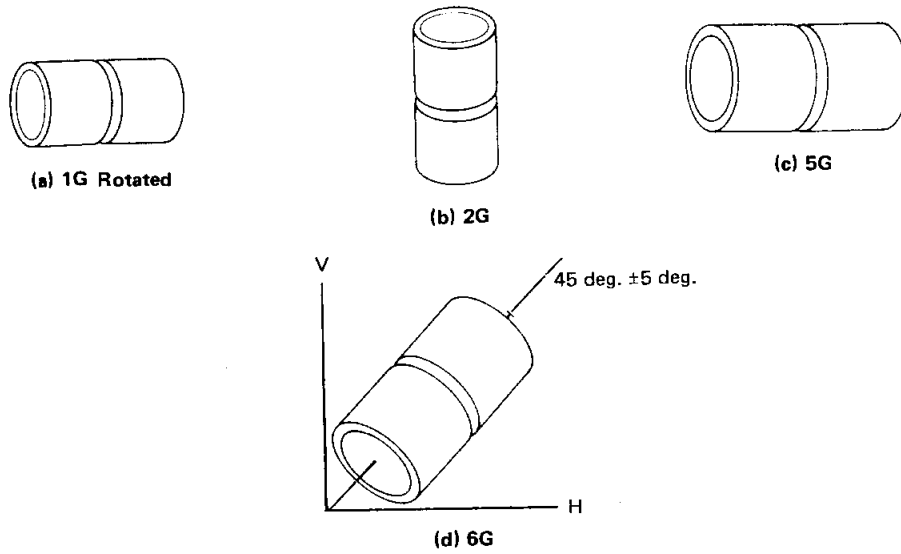
QW-461.3

2001 SECTION IX

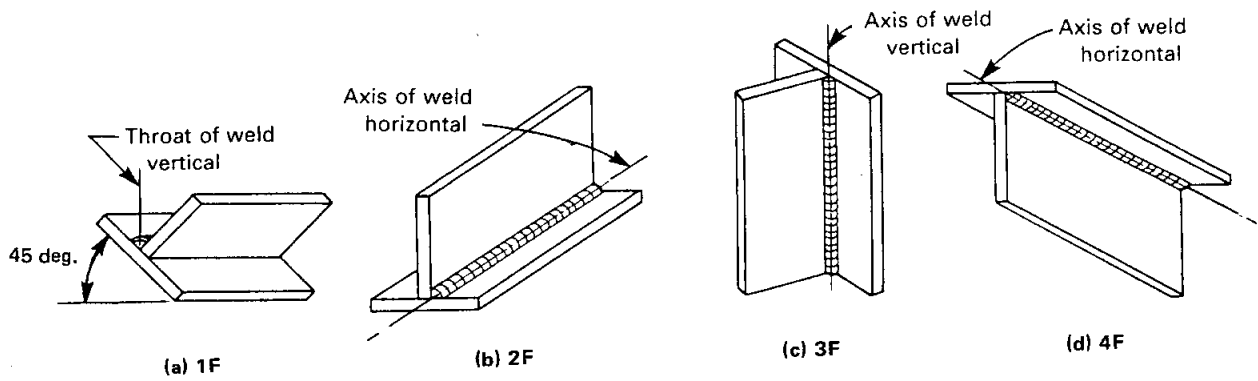
QW-461.5



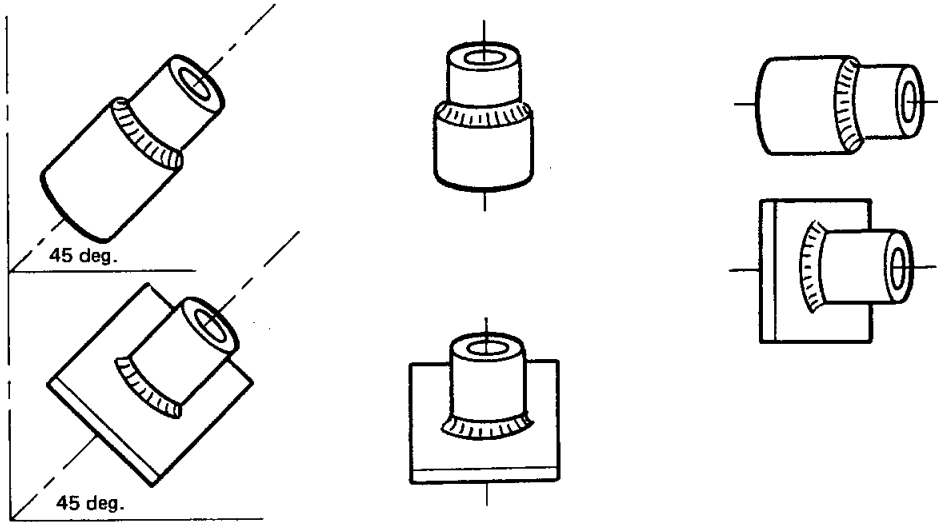
QW-461.3 GROOVE WELDS IN PLATE — TEST POSITIONS



QW-461.4 GROOVE WELDS IN PIPE — TEST POSITIONS



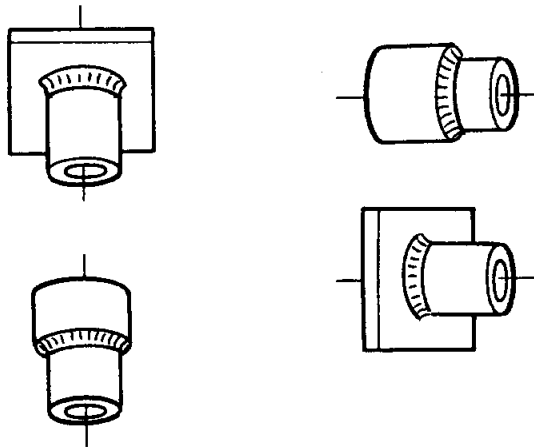
QW-461.5 FILLET WELDS IN PLATE — TEST POSITIONS



(a) 1F (Rotated)

(b) 2F

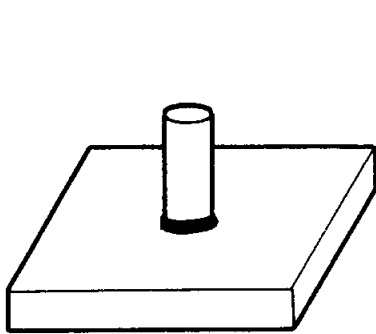
(c) 2FR (Rotated)



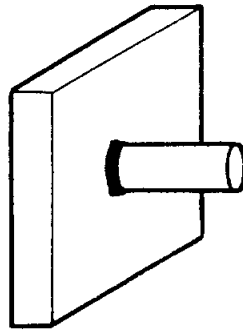
(d) 4F

(e) 5F

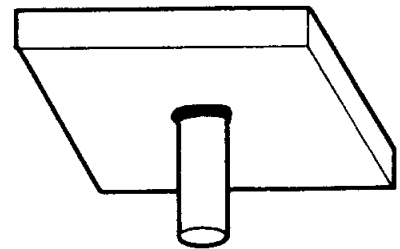
QW-461.6 FILLET WELDS IN PIPE — TEST POSITIONS



(a) 1S

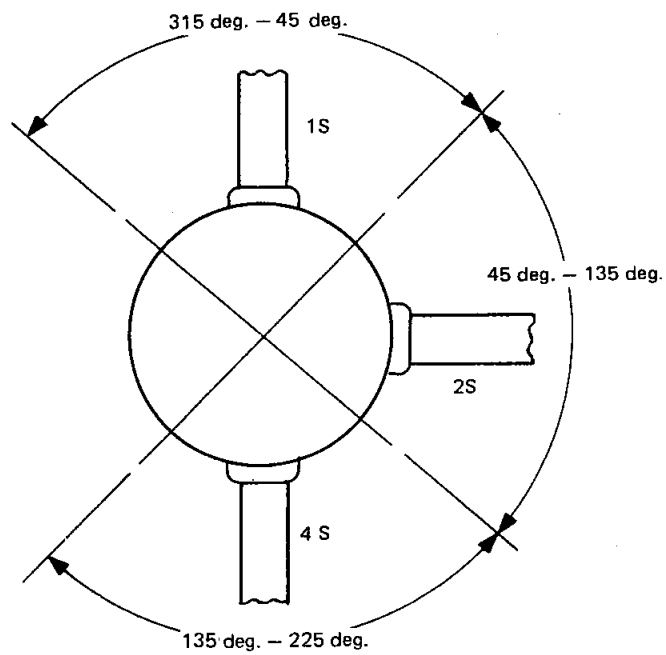


(2) 2S



(c) 4S

QW-461.7 STUD WELDS — TEST POSITIONS



QW-461.8 STUD WELDS — WELDING POSITIONS

QW-461.9
PERFORMANCE QUALIFICATION — POSITION AND DIAMETER LIMITATIONS
 (Within the Other Limitations of QW-303)

Qualification Test		Position and Type Weld Qualified [Note (1)]		
		Groove		Fillet Plate and Pipe
		Plate and Pipe Over 24 in. (610 mm) O.D.	Pipe ≤ 24 in. (610 mm) O.D.	
Weld	Position			
Plate — Groove	1G	F	F [Note (2)]	F
	2G	F,H	F,H [Note (2)]	F,H
	3G	F,V	F [Note (2)]	F,H,V
	4G	F,O	F [Note (2)]	F,H,O
	3G and 4G	F,V,O	F [Note (2)]	All
	2G, 3G, and 4G Special Positions (SP)	All SP,F	F,H [Note (2)] SP,F	All SP,F
Plate — Fillet	1F	F [Note (2)]
	2F	F,H [Note (2)]
	3F	F,H,V [Note (2)]
	4F	F,H,O [Note (2)]
	3F and 4F	All [Note (2)]
	Special Positions (SP)	SP,F [Note (2)]
Pipe — Groove [Note (3)]	1G	F	F	F
	2G	F,H	F,H	F,H
	5G	F,V,O	F,V,O	All
	6G	All	All	All
	2G and 5G	All	All	All
	Special Positions (SP)	SP,F	SP,F	SP,F
Pipe — Fillet [Note (3)]	1F	F
	2F	F,H
	2FR	F,H
	4F	F,H,O
	5F	All
	Special Positions (SP)	SP,F

NOTES:

(1) Positions of welding as shown in QW-461.1 and QW-461.2.

F = Flat

H = Horizontal

V = Vertical

O = Overhead

(2) Pipe $2\frac{7}{8}$ in. O.D. and over.

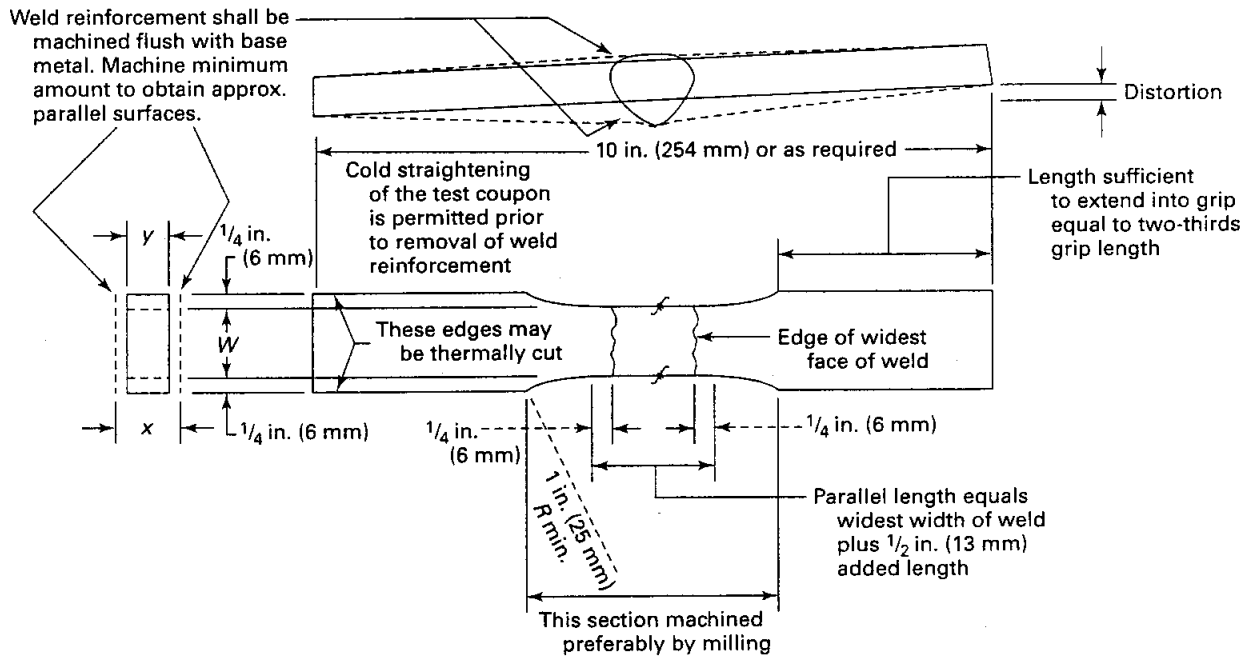
(3) See diameter restrictions in QW-452.3, QW-452.4, and QW-452.6.

QW-462 Test Specimens

The purpose of the QW-462 figures is to give the manufacturer or contractor guidance in dimensioning test specimens for tests required for procedure and performance qualifications. Unless a minimum, maximum, or tolerance is given in the figures (or as QW-150, QW-160, or QW-180 requires), the dimensions

are to be considered approximate. All welding processes and filler material to be qualified must be included in the test specimen.

- x = coupon thickness including reinforcement
- y = specimen thickness
- T = coupon thickness excluding reinforcement
- W = specimen width, $\frac{3}{4}$ in. (19 mm)

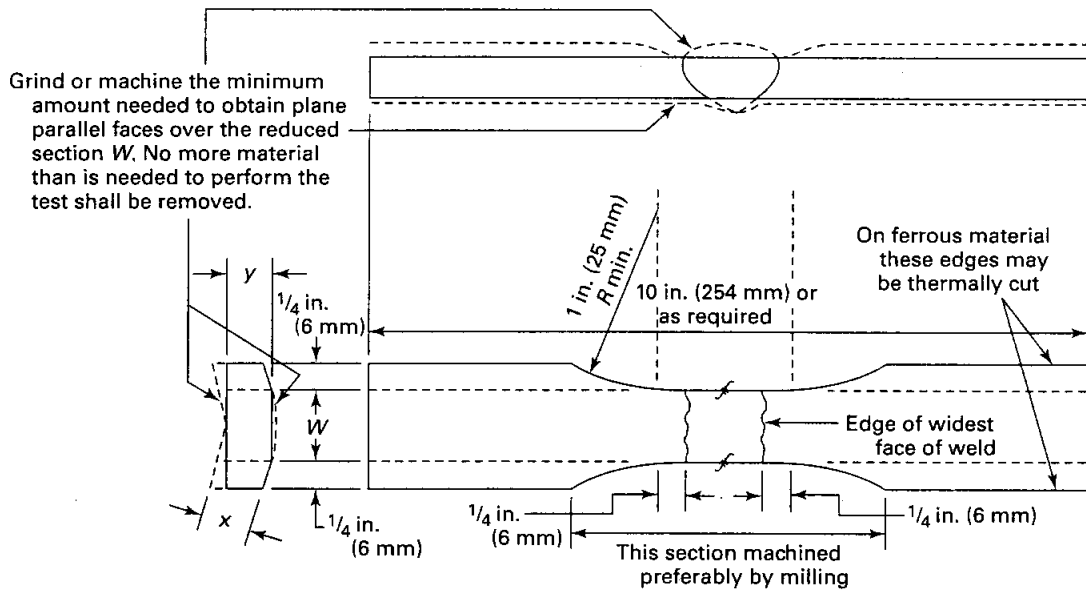


QW-462.1(a) TENSION — REDUCED SECTION — PLATE

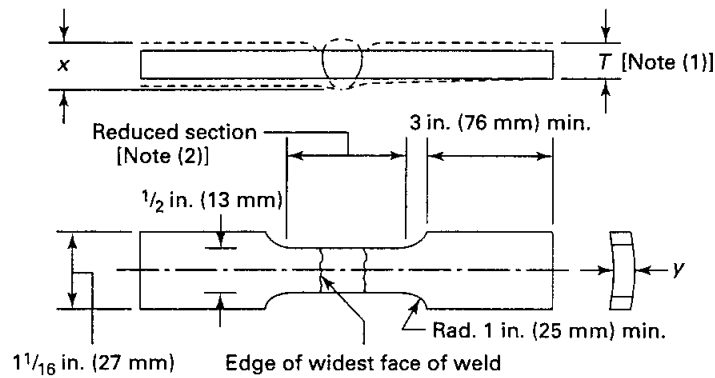
QW-462.1(b)

WELDING DATA

QW-462.1(c)



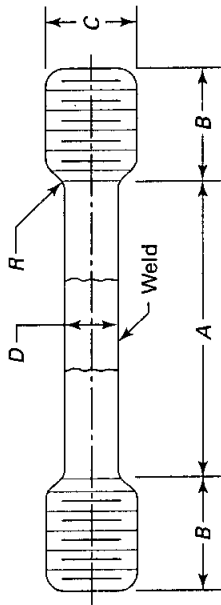
QW-462.1(b) TENSION — REDUCED SECTION — PIPE



NOTES:

- (1) The weld reinforcement shall be ground or machined so that the weld thickness does not exceed the base metal thickness T . Machine minimum amount to obtain approximately parallel surfaces.
- (2) The reduced section shall not be less than the width of the weld plus $2y$.

QW-462.1(c) TENSION — REDUCED SECTION ALTERNATE FOR PIPE



Standard Dimensions, in. (mm)

	(a) 0.505 Specimen	(b) 0.353 Specimen	(c) 0.252 Specimen	(d) 0.188 Specimen
A—Length of reduced section	Note (1) 0.500 ± 0.010 (12.7 ± 0.25)	Note (1) 0.350 ± 0.007 (8.89 ± 0.18)	Note (1) 0.250 ± 0.005 (6.35 ± 0.13)	Note (1) 0.188 ± 0.003 (4.78 ± 0.08)
D—Diameter	$\frac{3}{8}$ (9.6) min. $1\frac{3}{8}$ (35) approx. $\frac{3}{4}$ (19)	$\frac{1}{4}$ (6.4) min. $1\frac{1}{8}$ (29) approx. $\frac{1}{2}$ (13)	$\frac{3}{16}$ (4.8) min. $\frac{7}{8}$ (22) approx. $\frac{3}{8}$ (10)	$\frac{1}{8}$ (3.2) min. $\frac{1}{2}$ (13) approx. $\frac{1}{4}$ (6)
R—Radius of fillet				
B—Length of end section				
C—Diameter of end section				

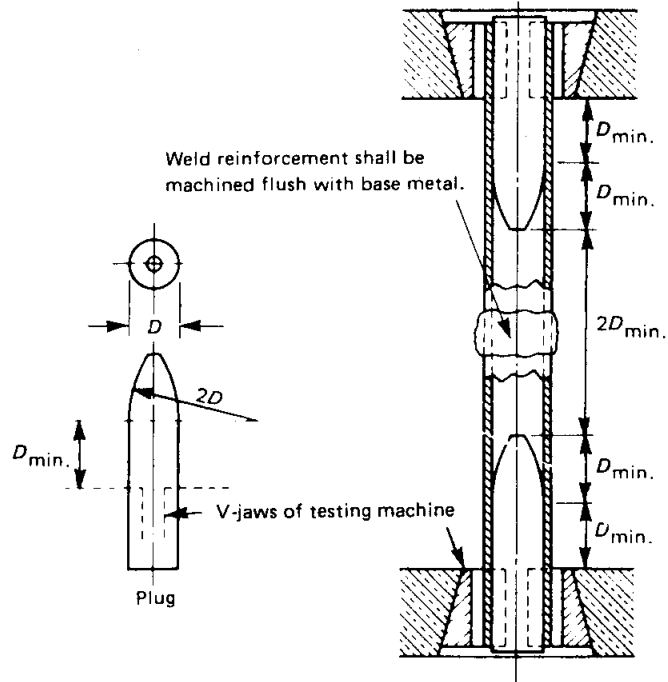
GENERAL NOTES:

- (a) Use maximum diameter specimen (a), (b), (c), or (d) that can be cut from the section.
- (b) Weld should be in center of reduced section.
- (c) Where only a single coupon is required, the center of the specimen should be midway between the surfaces.
- (d) The ends may be of any shape to fit the holders of the testing machine in such a way that the load is applied axially.

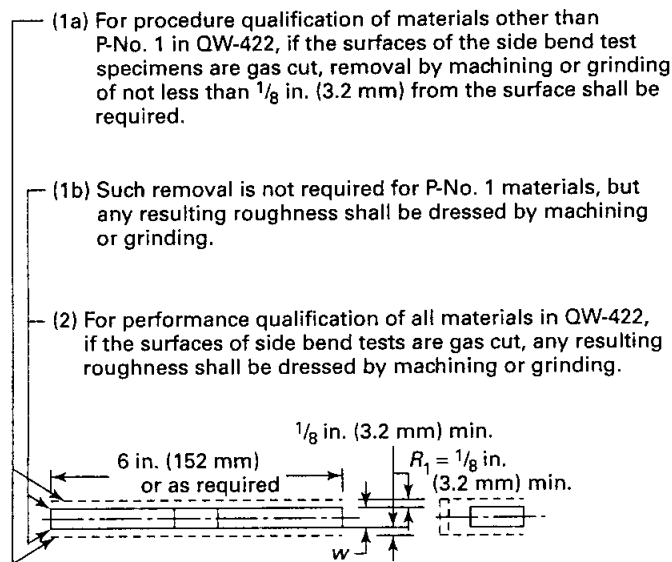
NOTE:

- (1) Reduced section A should not be less than width of weld plus 2D.

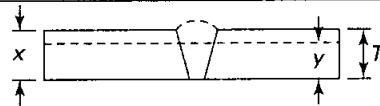
QW-462.1(d) TENSION — REDUCED SECTION — TURNED SPECIMENS



QW-462.1(e) TENSION — FULL SECTION — SMALL DIAMETER PIPE



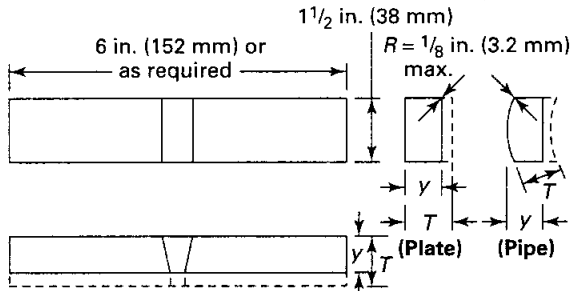
T , in. (mm)	y , in. (mm)	w , in. (mm)	
		P-No. 23, F-No. 23, or P-No. 35	All other metals
$3/8$ to $1\frac{1}{2}$ (10 to 38), incl.	T	$1/8$ (3.2)	$3/8$ (10)
$>1\frac{1}{2}$ (38)	Note (1)	$1/8$ (3.2)	$3/8$ (10)



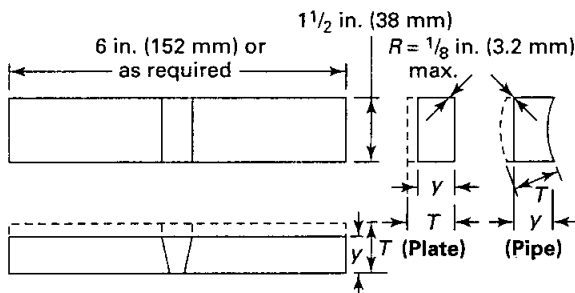
GENERAL NOTE: Weld reinforcement and backing strip or backing ring, if any, may be removed flush with the surface of the specimen. Thermal cutting, machining, or grinding may be employed. Cold straightening is permitted prior to removal of the reinforcement.

- NOTE:
- (1) When specimen thickness T exceeds $1\frac{1}{2}$ in. (38 mm), use one of the following.
 - (a) Cut specimen into multiple test specimens y of approximately equal dimensions [$3/4$ in. (19 mm) to $1\frac{1}{2}$ in. (38 mm)]. y = tested specimen thickness when multiple specimens are taken from one coupon.
 - (b) The specimen may be bent at full width. See requirements on jig width in QW-466.1.

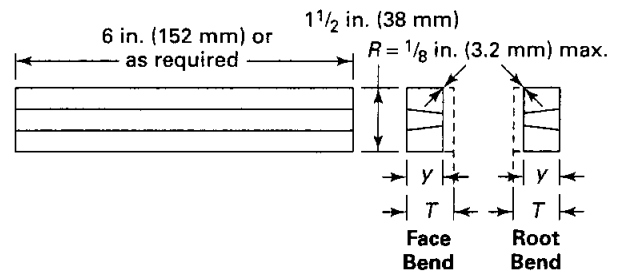
QW-462.2 SIDE BEND



Face-Bend Specimen — Plate and Pipe



Root-Bend Specimen — Plate and Pipe



Y, in. (mm)		
T, in. (mm)	P-No. 23, F-No. 23, or P-No. 35	All Other Metals
$\frac{1}{16} < \frac{1}{8}$ (1.6 < 3.2)	T	T
$\frac{1}{8} - \frac{3}{8}$ (3.2-10)	$\frac{1}{8}$ (3.2)	T
$> \frac{3}{8}$ (10)	$\frac{1}{8}$ (3.2)	$\frac{3}{8}$ (10)

Y, in. (mm)		
T, in. (mm)	P-No. 23, F-No. 23, or P-No. 35	All Other Metals
$\frac{1}{16} < \frac{1}{8}$ (1.6 < 3.2)	T	T
$\frac{1}{8} - \frac{3}{8}$ (3.2-10)	$\frac{1}{8}$ (3.2)	T
$> \frac{3}{8}$ (10)	$\frac{1}{8}$ (3.2)	$\frac{3}{8}$ (10)

GENERAL NOTES:

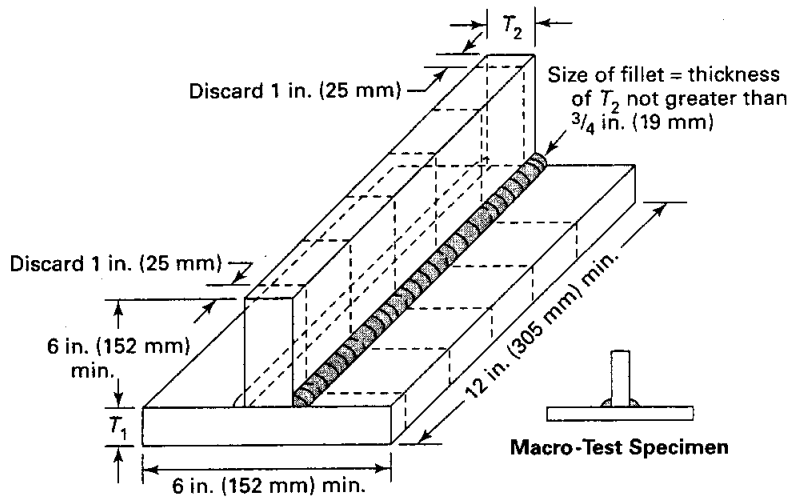
- (a) Weld reinforcement and backing strip or backing ring, if any, shall be removed flush with the surface of the specimen. If a recessed ring is used, this surface of the specimen may be machined to a depth not exceeding the depth of the recess to remove the ring, except that in such cases the thickness of the finished specimen shall be that specified above. Do not flame-cut nonferrous material.
- (b) If the pipe being tested is 4 in. (102 mm) nominal diameter or less, the width of the bend specimen may be $\frac{3}{4}$ in. (19 mm) for pipe diameters 2 in. (DN50) to and including 4 in. (DN 100). The bend specimen width may be $\frac{3}{8}$ in. (10 mm) for pipe diameters less than 2 in. (DN50) down to and including $\frac{3}{8}$ in. (10 mm) and as an alternative, if the pipe being tested is equal to or less than 1 in. (25 mm) nominal pipe size (1.315 in. O. D.) (DN25), the width of the bend specimens may be that obtained by cutting the pipe into quarter sections, less an allowance for saw cuts or machine cutting. These specimens cut into quarter sections are not required to have one surface machined flat as shown in QW-462.3(a). Bend specimens taken from tubing of comparable sizes may be handled in a similar manner.

GENERAL NOTE: Weld reinforcements and backing strip or backing ring, if any, shall be removed essentially flush with the undisturbed surface of the base material. If a recessed strip is used, this surface of the specimen may be machined to a depth not exceeding the depth of the recess to remove the strip, except that in such cases the thickness of the finished specimen shall be that specified above.

QW-462.3(b) FACE AND ROOT BENDS — LONGITUDINAL

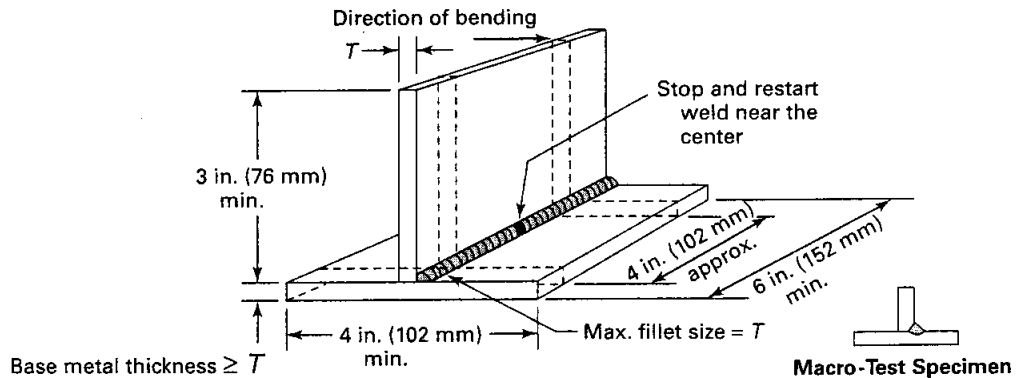
QW-462.3(a) FACE AND ROOT BENDS — TRANSVERSE

T_1	T_2
$\frac{1}{8}$ in. (3.2 mm) and less	T_1
Over $\frac{1}{8}$ in. (3.2 mm)	Equal to or less than T_1 , but not less than $\frac{1}{8}$ in. (3.2 mm)



GENERAL NOTE: Macro-test — the fillet shall show fusion at the root of the weld but not necessarily beyond the root. The weld metal and heat-affected zone shall be free of cracks.

QW-462.4(a) FILLET WELDS — PROCEDURE



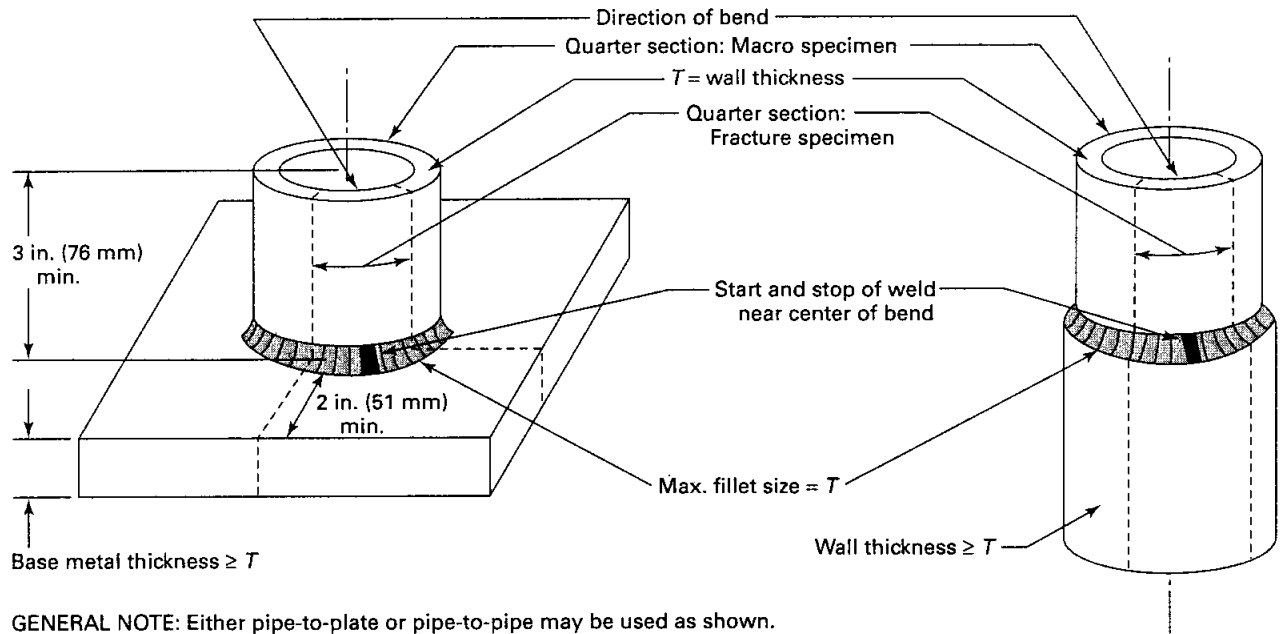
GENERAL NOTE: Refer to QW-452.5 for T thickness/qualification ranges.

QW-462.4(b) FILLET WELDS — PERFORMANCE

QW-462.4(c)

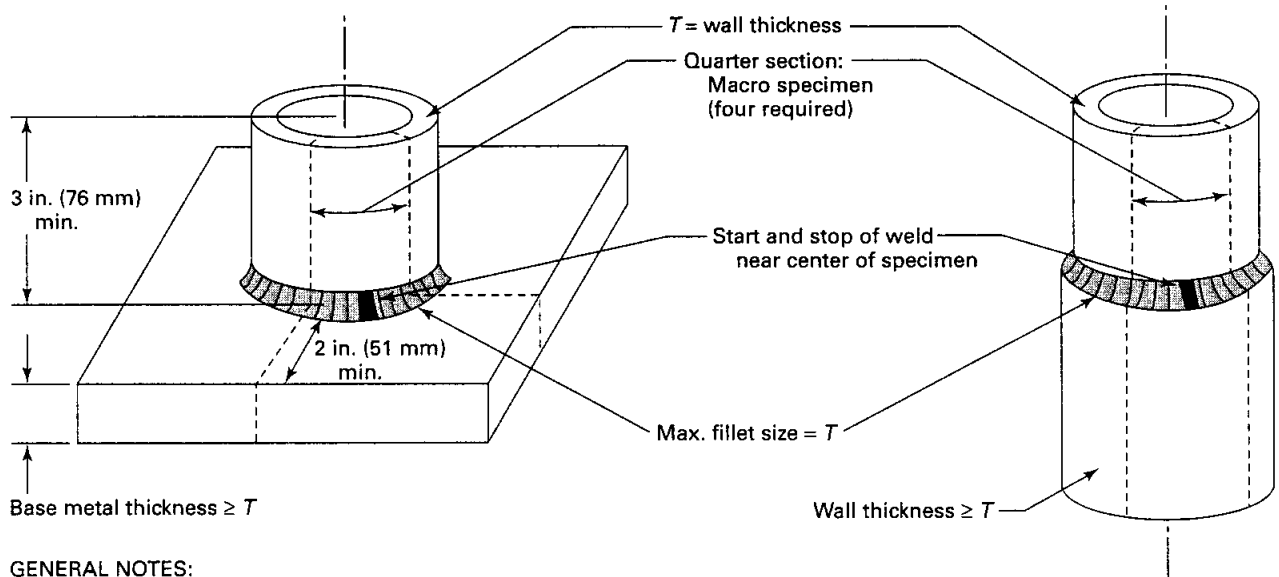
WELDING DATA

QW-462.4(d)



GENERAL NOTE: Either pipe-to-plate or pipe-to-pipe may be used as shown.

QW-462.4(c) FILLET WELDS IN PIPE — PERFORMANCE



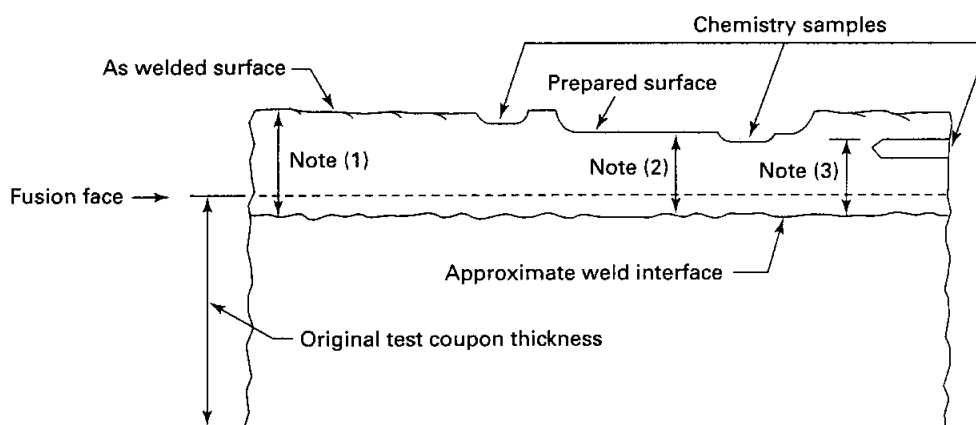
GENERAL NOTES:

(a) Either pipe-to-plate or pipe-to-pipe may be used as shown.

(b) Macro test:

- (1) The fillet shall show fusion at the root of the weld but not necessarily beyond the root.
- (2) The weld metal and the heat-affected zone shall be free of cracks.

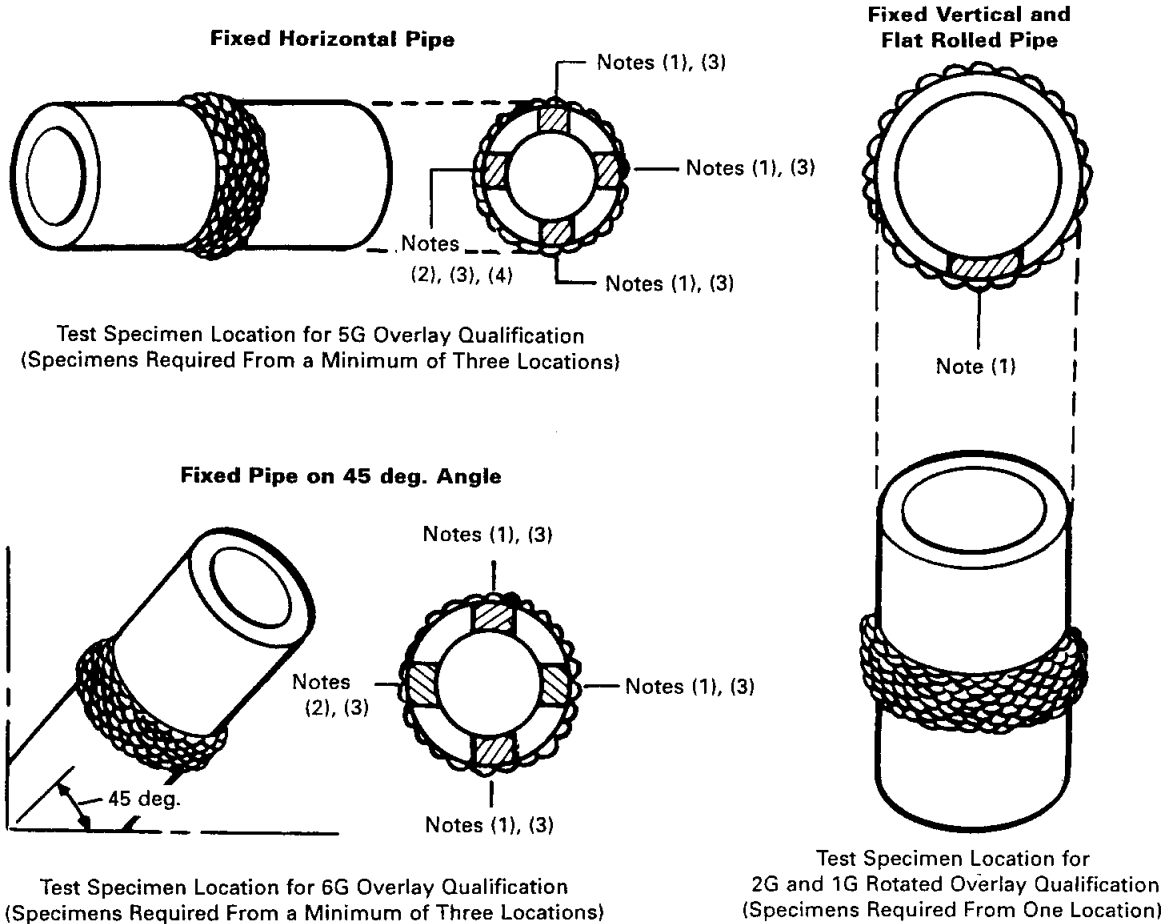
QW-462.4(d) FILLET WELDS IN PIPE — PROCEDURE



NOTES:

- (1) When a chemical analysis or hardness test is conducted on the as welded surface, the distance from the approximate weld interface to the final as welded surface shall become the minimum qualified overlay thickness. The chemical analysis may be performed directly on the as welded surface or on chips of material taken from the as welded surface.
- (2) When a chemical analysis or hardness test is conducted after material has been removed from the as welded surface, the distance from the approximate weld interface to the prepared surface shall become the minimum qualified overlay thickness. The chemical analysis may be made directly on the prepared surface or from chips removed from the prepared surface.
- (3) When a chemical analysis test is conducted on material removed by a horizontal drilled sample, the distance from the approximate weld interface to the uppermost side of the drilled cavity shall become the minimum qualified overlay thickness. The chemical analysis shall be performed on chips of material removed from the drilled cavity.

QW-462.5(a) CHEMICAL ANALYSIS AND HARDNESS SPECIMEN CORROSION-RESISTANT AND HARD-FACING WELD METAL OVERLAY

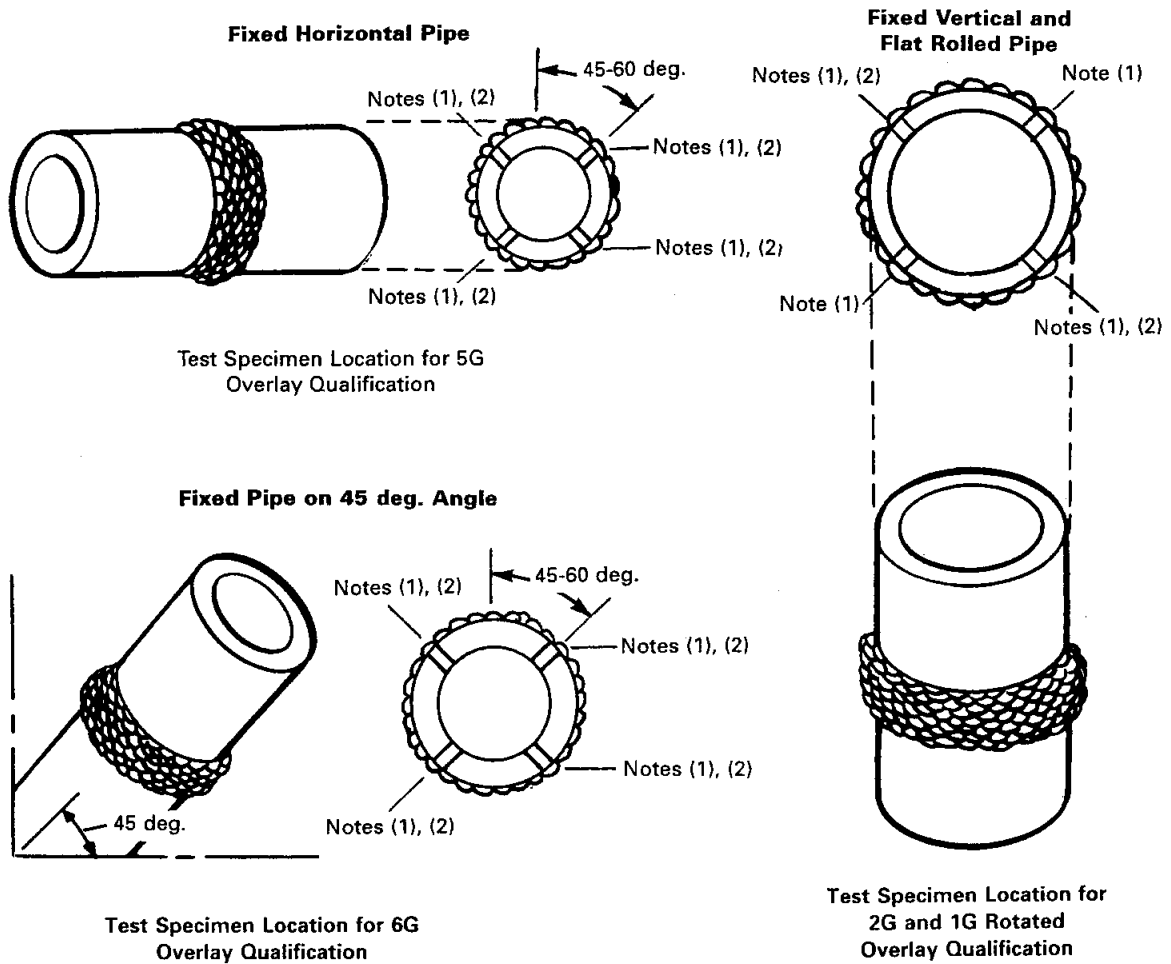


GENERAL NOTE: Overlay may be on the inside or outside of pipe.

NOTES:

- (1) Location for required test specimen removal (QW-453.).
- (2) Testing of circumferential hardfacing weld metal on pipe procedure qualification coupons may be limited to a single segment (completed utilizing the vertical, up-hill progression) for the chemical analysis, hardness, and macro-etch tests required in QW-453. Removal is required for a change from vertical down to vertical up-hill progression (but not vice-versa).
- (3) Location of test specimens shall be in accordance with the angular position limitations of QW-120.
- (4) When overlay welding is performed using machine or automatic welding and the vertical travel direction of adjacent weld beads is reversed on alternate passes, only one chemical analysis or hardness specimen is required to represent the vertical portion. Qualification is then restricted in production to require alternate pass reversal of rotation direction method.

QW-462.5(b) CHEMICAL ANALYSIS SPECIMEN, HARD-FACING OVERLAY HARDNESS, AND MACRO TEST LOCATION(S) FOR CORROSION-RESISTANT AND HARD-FACING WELD METAL OVERLAY

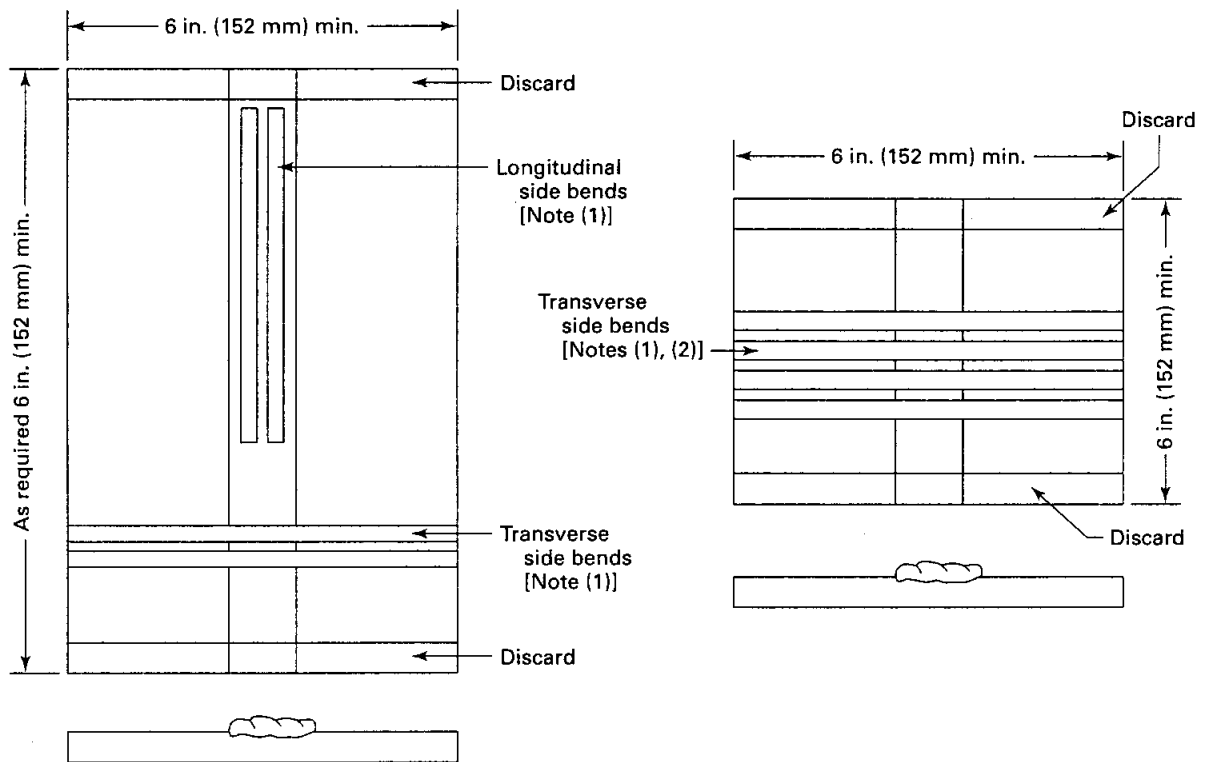


GENERAL NOTE: Overlay may be on the inside or outside of pipe.

NOTES:

- (1) Location for required test specimen removal — Procedure (QW-453).
- (2) Location for required test specimen removal — Performance (QW-453).

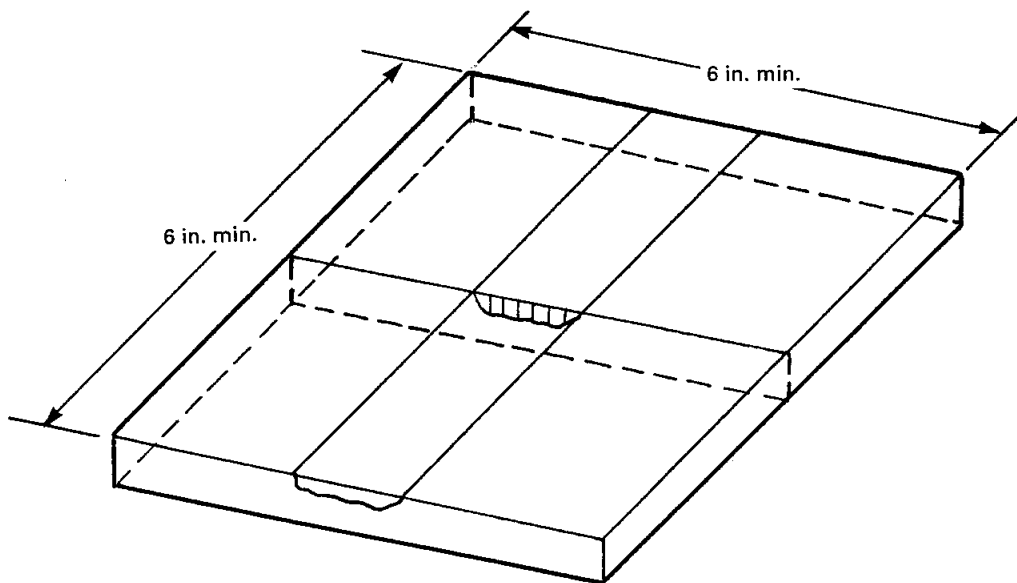
QW-462.5(c) PIPE BEND SPECIMEN — CORROSION-RESISTANT WELD METAL OVERLAY



NOTES:

- (1) Location for required test specimen removal — Procedure (QW-453). Four-side-bend test specimens are required for each position.
- (2) Location for required test specimen removal — Performance (QW-453). Two-side-bend test specimens are required for each position.

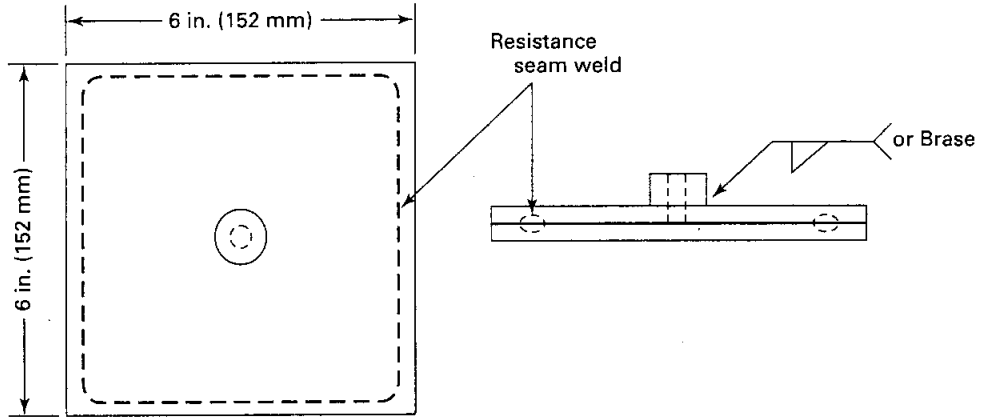
QW-462.5(d) PLATE BEND SPECIMENS — CORROSION-RESISTANT WELD METAL OVERLAY



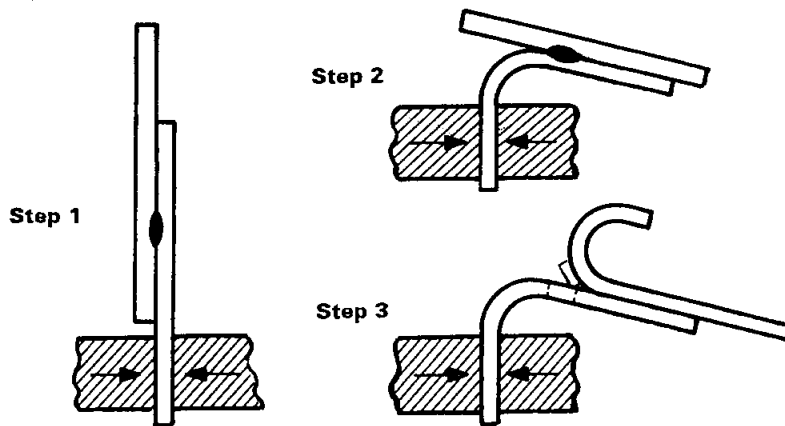
GENERAL NOTES:

- (a) Location for required test specimen removal. One required for each position.
- (b) Removal required for a change from vertical up to vertical down and vice versa.

QW-462.5(e) PLATE MACRO, HARDNESS, AND CHEMICAL ANALYSIS SPECIMENS — CORROSION-RESISTANT AND HARD-FACING WELD METAL OVERLAY



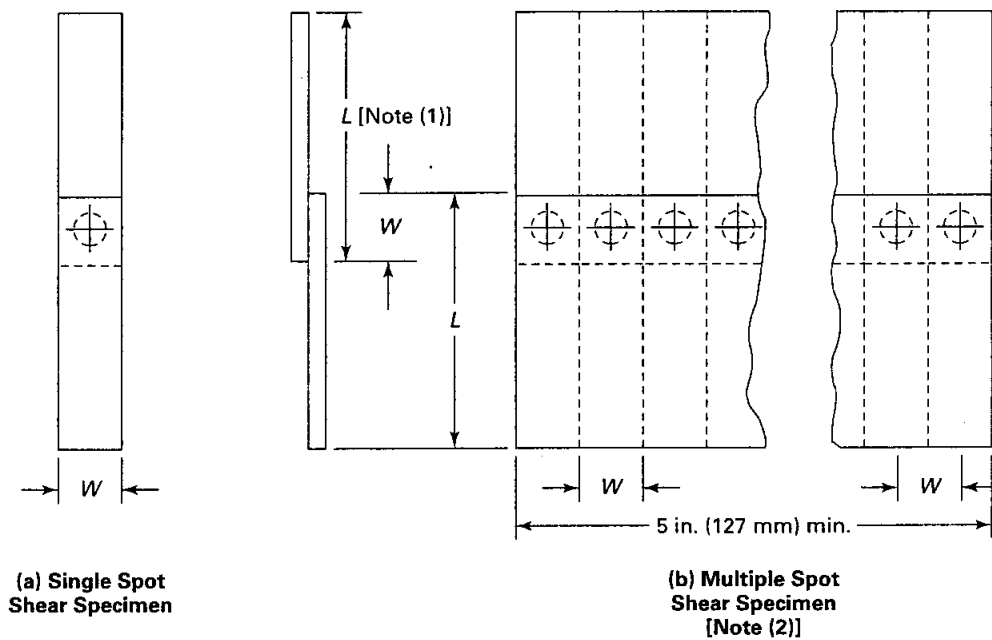
QW-462.7 RESISTANCE SEAM WELD



Peel Test

- Step 1 - Grip in vise or other suitable device.
- Step 2 - Bend specimen.
- Step 3 - Peel pieces apart with pincers or other suitable tool.

QW-462.8 SPOT WELDS IN SHEETS



Nominal Thickness of Thinner Sheet, in. (mm)	W, in. (mm) Min.
Over 0.008 to 0.030 (0.20 to 0.76)	0.68 (17.3)
Over 0.030 to 0.100 (0.76 to 2.54)	1.00 (25.4)
Over 0.100 to 0.130 (2.54 to 3.30)	1.25 (31.8)
Over 0.130 (3.30)	1.50 (38.1)

NOTES:

- (1) L shall be not less than 4W.
- (2) Sketch (b) shall be made of 5 specimens or more.

QW-462.9 SPOT WELDS IN SHEET

QW-462.I0
SHEAR STRENGTH REQUIREMENTS FOR SPOT OR PROJECTION WELD SPECIMENS

		Customary Units						SI Units					
		P-No. 1 Through P-No. 11 and P-No. 41 Through P-No. 47 Metals			P-1 Through P-11 and P-4X Metals			P-1 Through P-11 and P-4X Metals					
Nominal Thickness of Thinner Sheet, in.	Nominal Thickness of Thinner Sheet, mm	Ultimate Strength 90,000 to 149,000 psi		Ultimate Strength Below 90,000 psi		Min.	Min. Avg.	Ultimate Strength 620 MPa to 1 027 MPa		Ultimate Strength Below 620 MPa		Min.	Min. Avg.
		Min.	Max.	lb per Spot	kg per Spot			lb per Spot	kg per Spot	kg per Spot	kg per Spot		
0.009		130	160	100	125	0.23	59	73	45	57			
0.010		160	195	115	140	0.25	73	88	52	64			
0.012		200	245	150	185	0.30	91	111	68	84			
0.016		295	365	215	260	0.41	134	166	98	118			
0.018		340	415	250	305	0.46	154	188	113	138			
0.020		390	480	280	345	0.51	177	218	127	156			
0.022		450	550	330	405	0.56	204	249	150	184			
0.025		530	655	400	495	0.64	240	297	181	225			
0.028		635	785	465	575	0.71	288	356	211	261			
0.032		775	955	565	695	0.81	352	433	256	315			
0.036		920	1,140	690	860	0.91	417	517	313	390			
0.040		1,065	1,310	815	1,000	1.02	483	594	370	454			
0.045		1,285	1,585	1,005	1,240	1.14	583	719	456	562			
0.050		1,505	1,855	1,195	1,475	1.27	683	841	542	669			
0.056		1,770	2,185	1,460	1,800	1.42	803	991	662	816			
0.063		2,110	2,595	1,760	2,170	1.60	957	1 177	798	984			
0.071		2,535	3,125	2,080	2,560	1.80	1 150	1 418	943	1 161			
0.080		3,005	3,705	2,455	3,025	2.03	1 363	1 681	1 114	1 372			
0.090		3,515	4,335	2,885	3,560	2.29	1 594	1 966	1 309	1 615			
0.100		4,000	4,935	3,300	4,070	2.54	1 814	2 239	1 497	1 846			
0.112		4,545	5,610	3,795	4,675	2.84	2 062	2 545	1 721	2 121			
0.125		5,065	6,250	4,300	5,310	3.18	2 297	2 835	1 950	2 409			

WELDING DATA

QW-462.10

QW-462.11
SHEAR STRENGTH REQUIREMENTS FOR SPOT OR PROJECTION WELD SPECIMENS

Nominal Thickness of Thinner Sheet, in.	Customary Units										SI Units									
	P-No. 21 Through P-No. 25 Aluminum Alloys					P-2X Aluminum Alloys					P-2X Aluminum Alloys					P-2X Aluminum Alloys				
	Ultimate Strength 35,000 to 55,999 psi		Ultimate Strength 19,500 to 34,999 psi		Ultimate Strength Below 19,500 psi	Ultimate Strength 241 MPa to 386 MPa		Ultimate Strength 134 MPa to 241 MPa		Ultimate Strength Below 134 MPa	Ultimate Strength 241 MPa to 386 MPa		Ultimate Strength 134 MPa to 241 MPa		Ultimate Strength Below 134 MPa	Ultimate Strength 241 MPa to 386 MPa		Ultimate Strength 134 MPa to 241 MPa		Ultimate Strength Below 134 MPa
	Min.	Max.	Min.	Max.	Min.	Min.	Max.	Min.	Max.	Min.	Min.	Max.	Min.	Max.	Min.	Min.	Max.	Min.	Max.	Min.
0.010	50	65	23	29
0.012	65	85	30	40	20	25	29	39	14	18	9	11	11	11	11	11	11	11	11	11
0.016	100	125	70	90	50	65	45	57	32	41	23	29	29	29	29	29	29	29	29	29
0.018	115	145	85	110	65	85	52	66	39	50	29	39	39	39	39	39	39	39	39	39
0.020	135	170	100	125	80	100	61	77	45	57	36	45	45	45	45	45	45	45	45	45
0.022	155	195	120	150	95	120	70	88	54	68	43	54	54	54	54	54	54	54	54	54
0.025	175	200	145	185	110	140	79	91	66	84	50	64	64	64	64	64	64	64	64	64
0.028	205	260	175	220	135	170	93	118	79	100	61	77	77	77	77	77	77	77	77	77
0.032	235	295	210	265	165	210	107	134	95	120	75	95	95	95	95	95	95	95	95	95
0.036	275	345	255	320	195	245	125	156	116	145	88	111	111	111	111	111	111	111	111	111
0.040	310	390	300	375	225	285	141	177	136	170	102	129	129	129	129	129	129	129	129	129
0.045	370	465	350	440	260	325	168	211	159	200	118	147	147	147	147	147	147	147	147	147
0.050	430	540	400	500	295	370	195	245	181	227	134	168	168	168	168	168	168	168	168	168
0.050	515	645	475	595	340	425	234	293	215	270	154	193	193	193	193	193	193	193	193	193
0.063	610	765	570	715	395	495	277	347	259	324	179	225	225	225	225	225	225	225	225	225
0.071	720	900	645	810	450	565	327	408	293	367	204	256	256	256	256	256	256	256	256	256
0.080	855	1,070	765	960	525	660	388	485	347	435	238	299	299	299	299	299	299	299	299	299
0.090	1,000	1,250	870	1,090	595	745	454	567	395	494	270	338	338	338	338	338	338	338	338	338
0.100	1,170	1,465	940	1,175	675	845	531	665	426	533	306	383	383	383	383	383	383	383	383	383
0.112	1,340	1,675	1,000	1,255	735	920	608	760	454	569	333	417	417	417	417	417	417	417	417	417
0.125	1,625	2,035	1,050	1,315	785	985	737	923	476	596	356	447	447	447	447	447	447	447	447	447
0.140	1,920	2,400	871	1,089
0.160	2,440	3,050	1,107	1,383
0.180	3,000	3,750	1,361	1,701
0.190	3,240	4,050	1,470	1,837
0.250	6,400	8,000	2,903	3,629

QW-463 Order of Removal

Discard		this piece
Reduced section		tensile specimen
Root bend		specimen
Face bend		specimen
Root bend		specimen
Face bend		specimen
Reduced section		tensile specimen
Discard		this piece

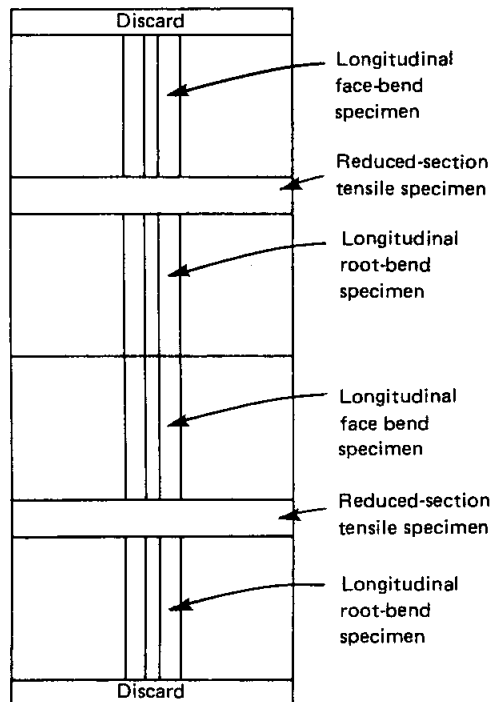


QW-463.1(a) PLATES — LESS THAN 3/4 in. (19 mm) THICKNESS PROCEDURE QUALIFICATION

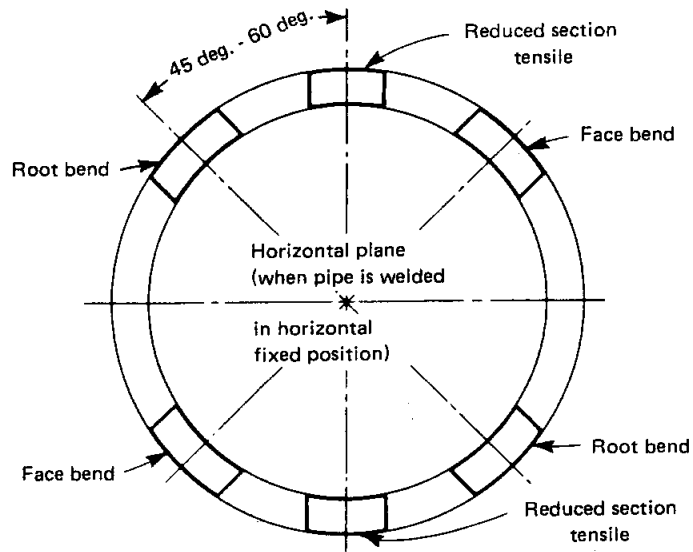
Discard		this piece
Side bend		specimen
Reduced section		tensile specimen
Side bend		specimen
Side bend		specimen
Reduced section		tensile specimen
Side bend		specimen
Discard		this piece



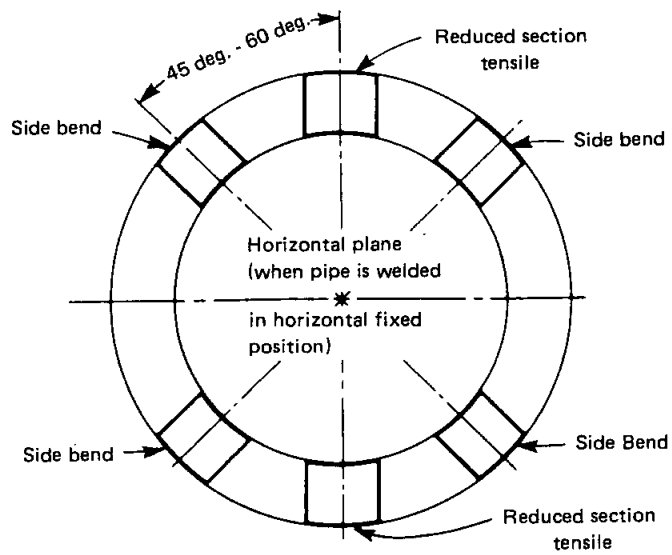
QW-463.1(b) PLATES — 3/4 in. (19 mm) AND OVER THICKNESS AND ALTERNATE FROM 3/8 in. (10 mm) BUT LESS THAN 3/4 in. (19 mm) THICKNESS PROCEDURE QUALIFICATION



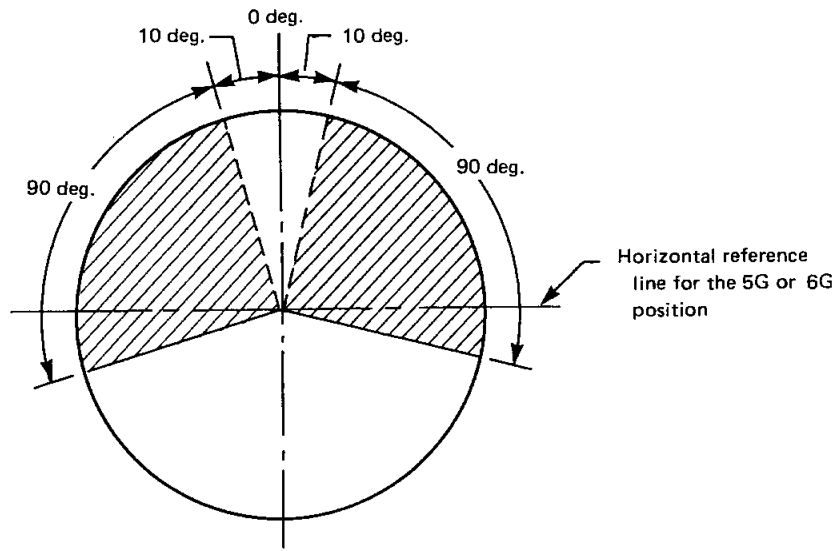
QW-463.1(c) PLATES — LONGITUDINAL PROCEDURE QUALIFICATION



QW-463.1(d) PROCEDURE QUALIFICATION



QW-463.1(e) PROCEDURE QUALIFICATION

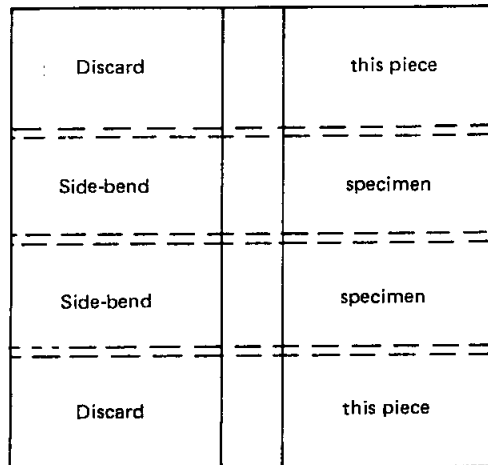
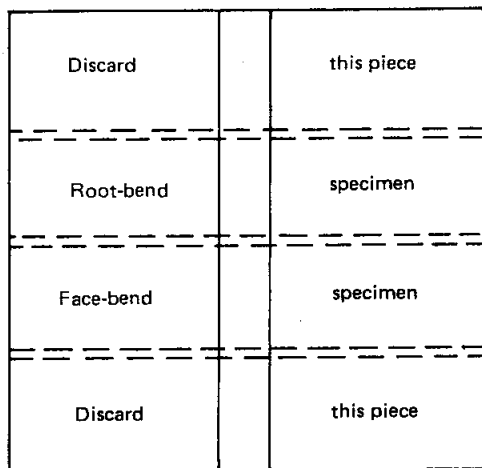


QW-463.1(f) NOTCH-TOUGHNESS TEST SPECIMEN LOCATION

QW-463.2(a)

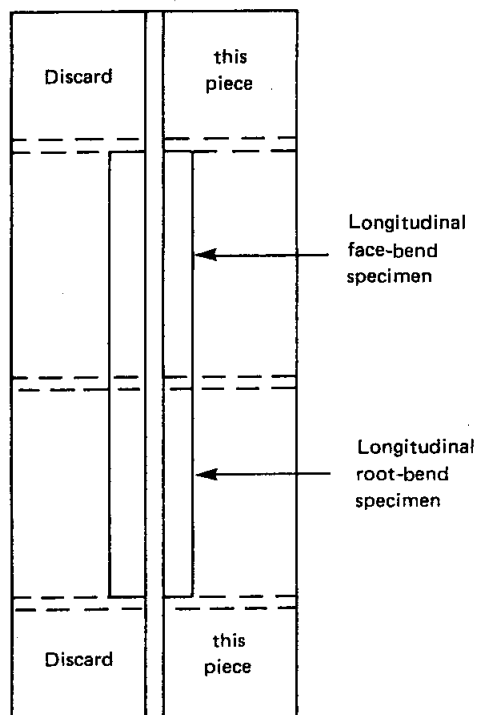
2001 SECTION IX

QW-463.2(c)



QW-463.2(a) PLATES — LESS THAN $\frac{3}{4}$ in. (19 mm) THICKNESS PERFORMANCE QUALIFICATION

QW-463.2(b) PLATES — $\frac{3}{4}$ in. (19 mm) AND OVER THICKNESS AND ALTERNATE FROM $\frac{3}{8}$ in. (10 mm) BUT LESS THAN $\frac{3}{4}$ in. (19 mm) THICKNESS PERFORMANCE QUALIFICATION

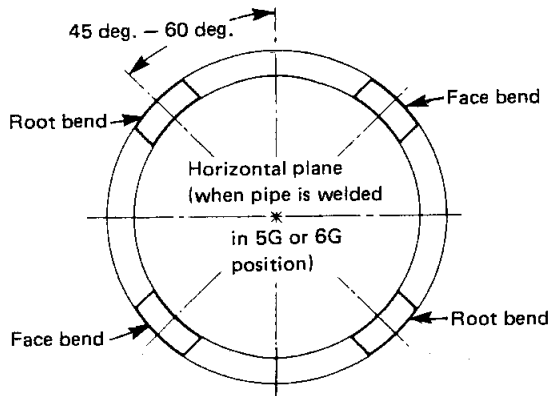


QW-463.2(c) PLATES — LONGITUDINAL PERFORMANCE QUALIFICATION

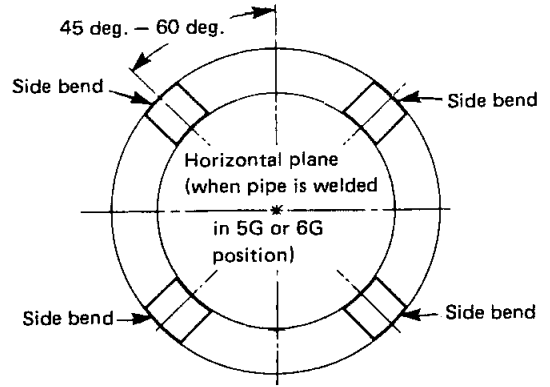
QW-463.2(d)

WELDING DATA

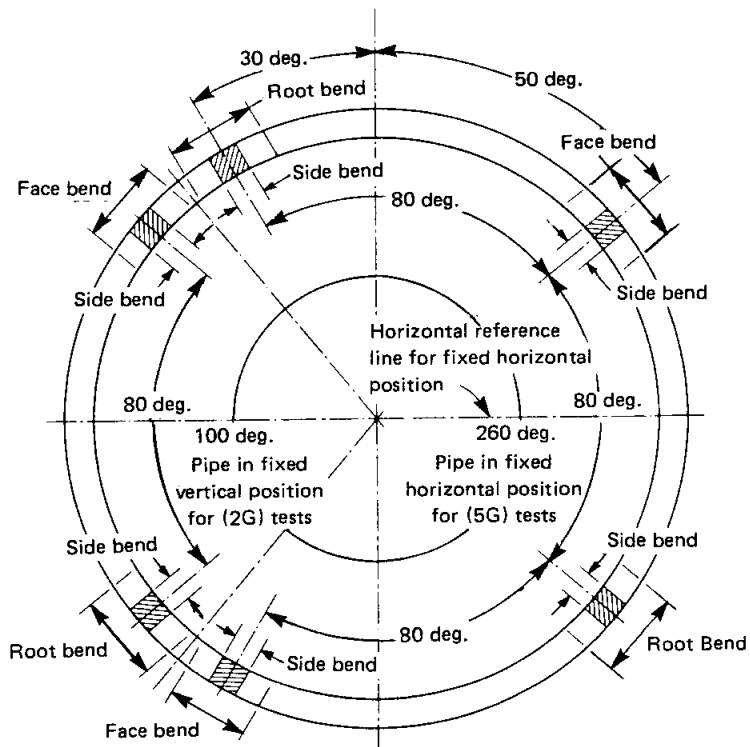
QW-463.2(f)



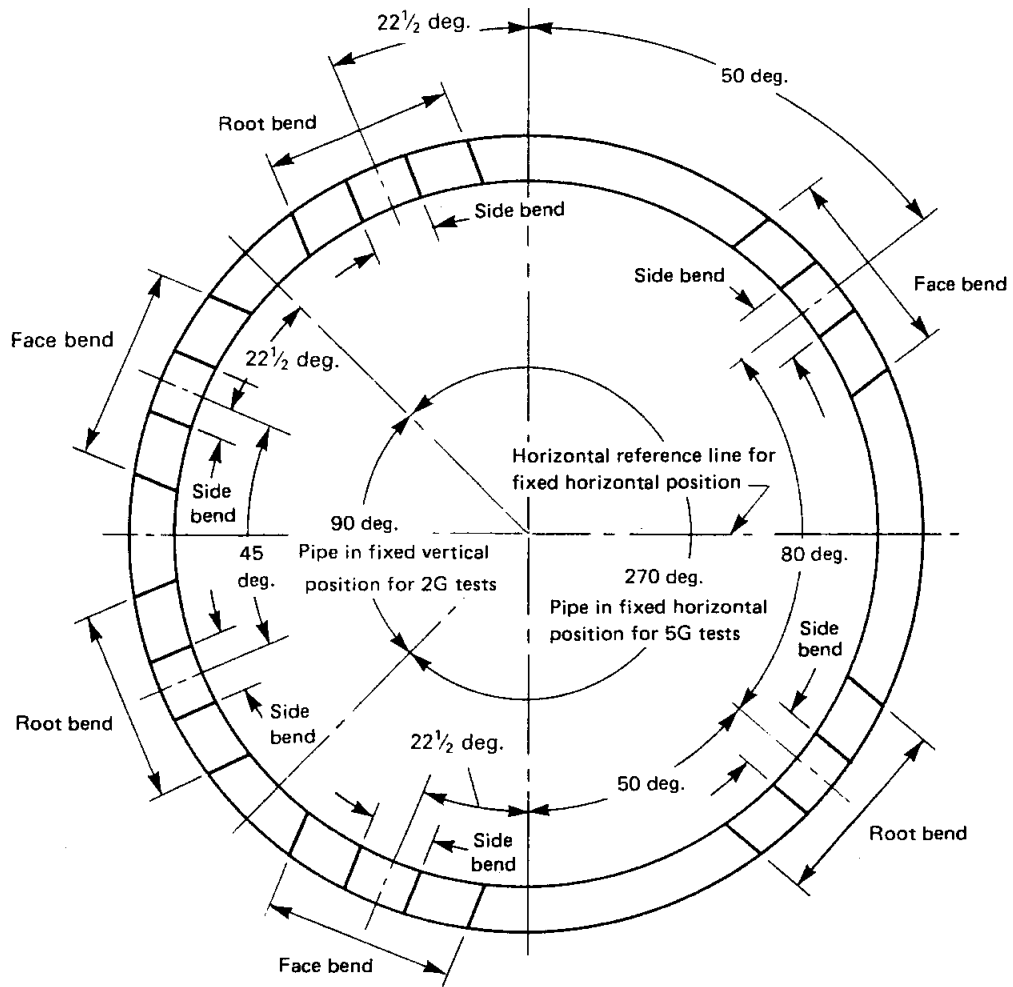
QW-463.2(d) PERFORMANCE QUALIFICATION



QW-463.2(e) PERFORMANCE QUALIFICATION

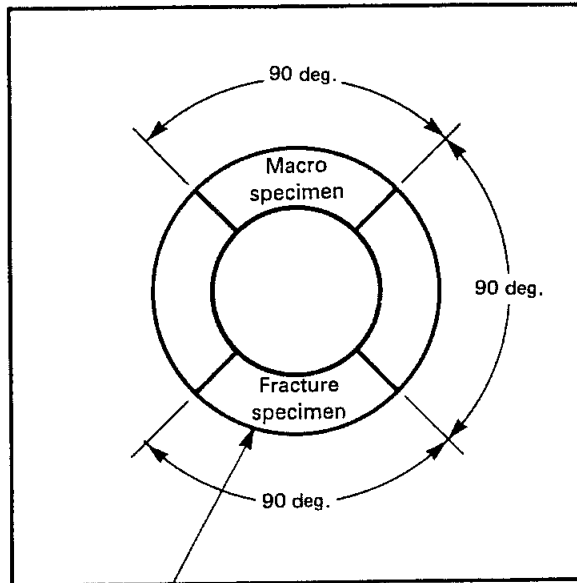


QW-463.2(f) PIPE -- 10 in. (254 mm) ASSEMBLY PERFORMANCE QUALIFICATION



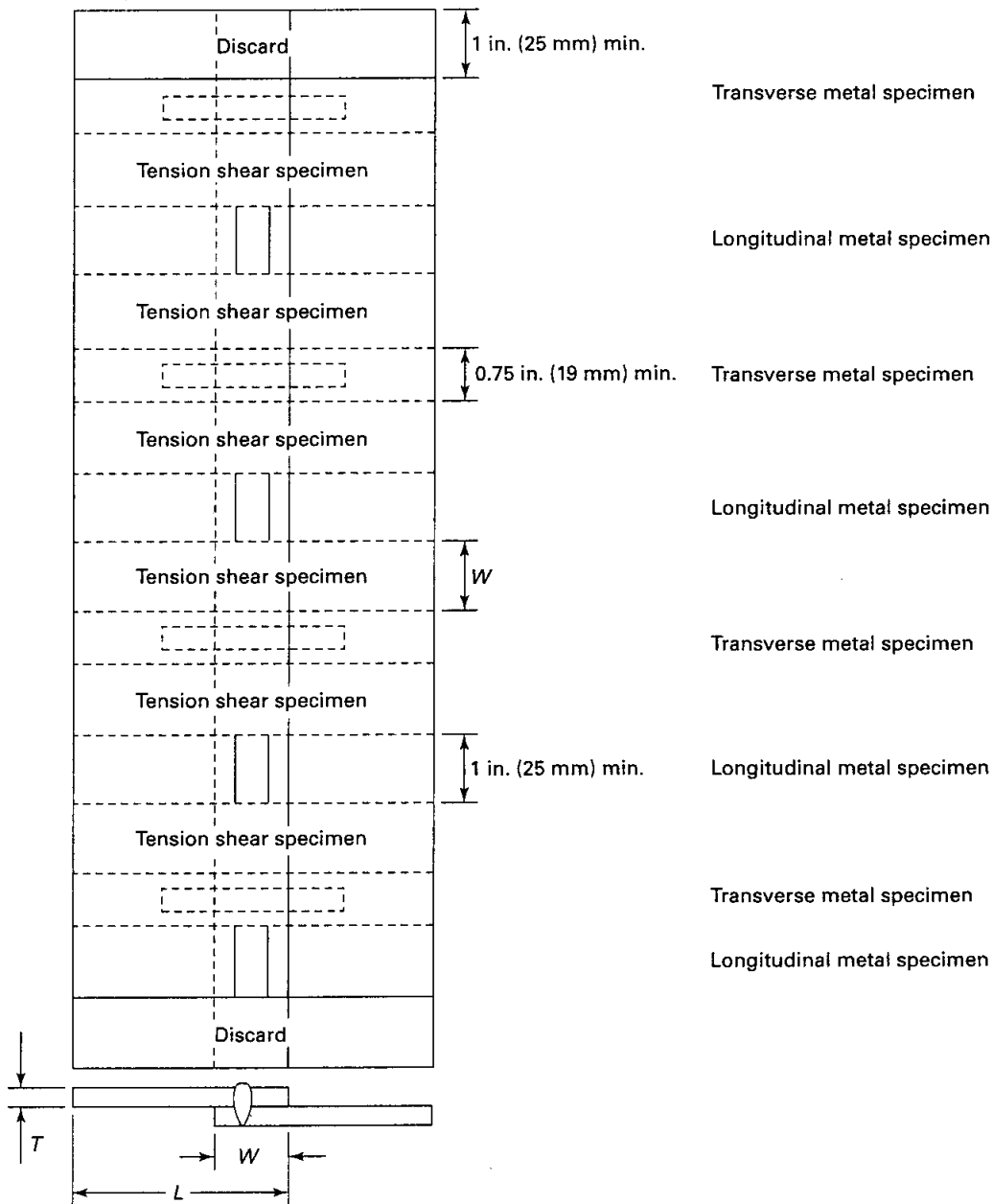
GENERAL NOTE: When side bend tests are made in accordance with QW-452.1 and QW-452.3, they shall be removed as shown in QW-463.2(g) in place of the face and root bends.

QW-463.2(g) 6 in. (152 mm) OR 8 in. (203 mm) ASSEMBLY PERFORMANCE QUALIFICATION



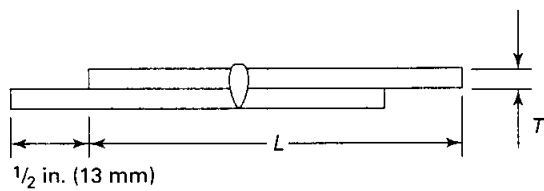
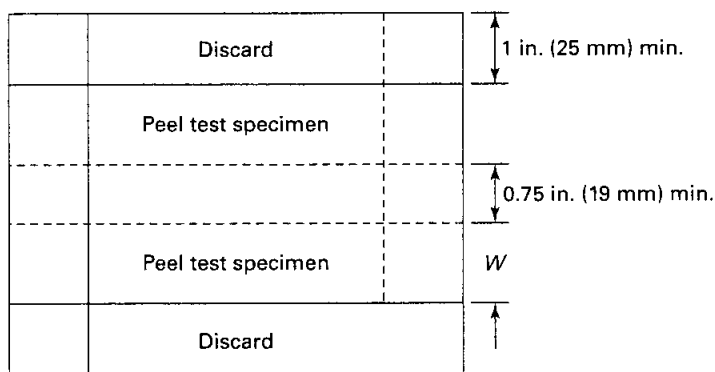
Fracture specimen to be removed from lower 90 deg. section in position 5 f

QW-463.2(h) PERFORMANCE QUALIFICATION



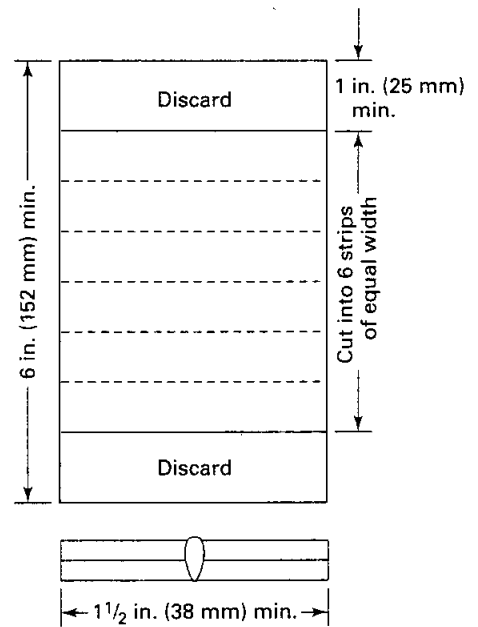
Thickness of Thinner, Sheet, T , in. (mm)	Specimen Width, W , in. (mm)	Recommended Length, L , in. (mm)
Up to 0.029 (0.74)	$\frac{5}{8}$ (16)	3 (76)
0.031 to 0.050 (0.79 to 1.27)	$\frac{3}{4}$ (19)	3 (76)
0.051 to 0.100 (1.29 to 2.54)	1 (25)	4 (102)
0.101 to 0.130 (2.57 to 3.30)	$1\frac{1}{4}$ (32)	5 (127)
0.131 to 0.190 (3.33 to 4.83)	$1\frac{1}{2}$ (38)	5 (127)
0.191 (4.85) and over	2 (51)	6 (152)

QW-464.1 PROCEDURE QUALIFICATION TEST COUPON AND TEST SPECIMENS



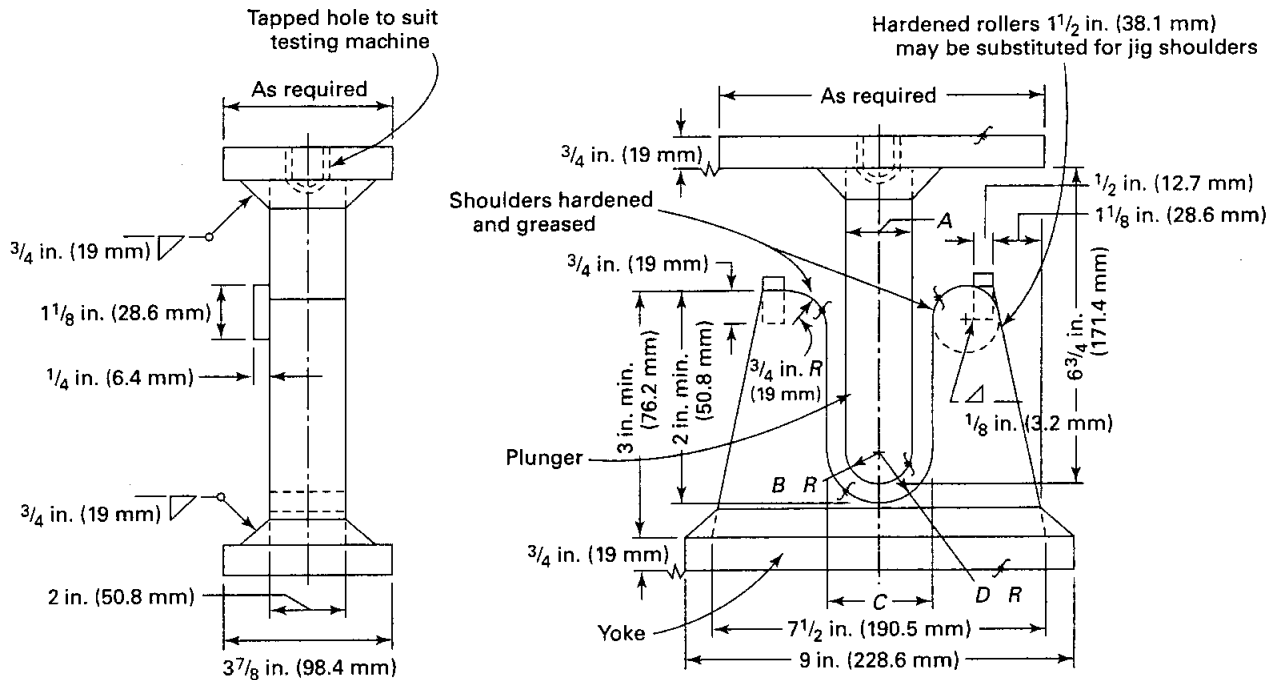
Thickness of Thinner Sheet, T , in. (mm)	Specimen Width, W , in. (mm)	Recommended Length, L , in. (mm)
Up to 0.029 (0.74)	$\frac{5}{8}$ (16)	2 (51)
0.030 to 0.058 (0.76 to 1.47)	1 (25)	3 (76)
0.059 to 0.125 (1.50 to 3.2)	$1\frac{1}{2}$ (38)	4 (102)

(a) Peel Test Coupon and Specimens



(b) Metallurgical Examination Coupon and Transverse Specimens

QW-464.2 PERFORMANCE QUALIFICATION TEST COUPONS AND TEST SPECIMENS



Customary Units

Material	Thickness of Specimen, in.	A, in.	B, in.	C, in.	D, in.
P-No. 23 to P-No. 21 through P-No 25; P-No. 21 through P-No. 25 with F-No. 23; P-No. 35; any P-No. metal with F-No. 33, 36, or 37	1/8 $t = 1/8$ or less	2 1/16 $16 1/2 t$	1 1/32 $8 1/4 t$	2 3/8 $18 1/2 t + 1/16$	1 3/16 $9 1/4 t + 1/32$
P-No. 11; P-No. 25 to P-No. 21 or P-No. 22 or P-No. 25	3/8 $t = 3/8$ or less	2 1/2 $6 2/3 t$	1 1/4 $3 1/3 t$	3 3/8 $8 2/3 t + 1/8$	1 11/16 $4 1/3 t + 1/16$
P-No. 51	3/8 $t = 3/8$ or less	3 $8 t$	1 1/2 $4 t$	3 7/8 $10 t + 1/8$	1 15/16 $5 t + 1/16$
P-No. 52, P-No. 53, P-No. 61, P-No. 62	3/8 $t = 3/8$ or less	3 3/4 $10 t$	1 7/8 $5 t$	4 5/8 $12 t + 1/8$	2 5/16 $6 t + 1/16$
All others with greater than or equal to 20% elongation	3/8 $t = 3/8$ or less	1 1/2 $4 t$	3/4 $2 t$	2 3/8 $6 t + 1/8$	1 3/16 $3 t + 1/16$
All others with less than 20% elongation	$t =$ (see Note b)	$32 7/8 t$, max.	$16 7/16 t$, max.	$34 7/8 t + 1/16$, max.	$17 7/16 t + 1/32$, max.

(continued)

QW-466.1 TEST JIG DIMENSIONS

WELDING DATA

QW-466.1

SI Units					
Material	Thickness of Specimen, mm	A	B	C	D
P-No. 23 to P-No. 21 through P-No. 25; P-No. 21 through P-No. 25 with F-No. 23; P-No. 35; any P-No. metal with F-No. 33, 36, or 37	3.2	52.4	26.2	60.4	30.2
	$t = 3.2$ or less	$16\frac{1}{2}t$	$8\frac{1}{4}t$	$18\frac{1}{2}t + 1.6$	$9\frac{1}{4}t + 0.8$
P-No. 11; P-No.25 to P-No. 21 or P-No. 22 or P-No. 25	9.5	63.5	31.8	85.8	42.9
	$t = 9.5$ or less	$6\frac{2}{3}t$	$3\frac{1}{3}t$	$8\frac{2}{3}t + 3.2$	$4\frac{1}{3}t + 1.6$
P-No. 51	9.5	76.2	38.1	98.4	49.2
	$t = 9.5$ or less	$8t$	$4t$	$10t + 3.2$	$5t + 1.6$
P-No. 52; P-No. 53; P-No. 61; P-No. 62	9.5	95.2	47.6	117.5	58.7
	$t = 9.5$ or less	$10t$	$5t$	$12t + 3.2$	$6t + 1.6$
All others with greater than or equal to 20% elongation	9.5	38.1	19.0	60.4	30.2
	$t = 9.5$ or less	$4t$	$2t$	$6t + 3.2$	$3t + 1.6$
All others with less than 20% elongation	$t =$ (see Note b)	$32\frac{7}{8}t$ max.	$16\frac{7}{16}t$ max.	$34\frac{7}{8}t + 1.6$ max.	$17\frac{7}{16}t + 0.8$ max.

GENERAL NOTES:

(a) For P-Numbers, see QW-422; for F-Numbers, see QW-432.

(b) The dimensions of the test jig shall be such as to give the bend test specimen a calculated percent outer fiber elongation equal to at least that of the base material with the lower minimum elongation as specified in the base material specification.

$$\text{percent outer fiber elongation} = \frac{100t}{A + t}$$

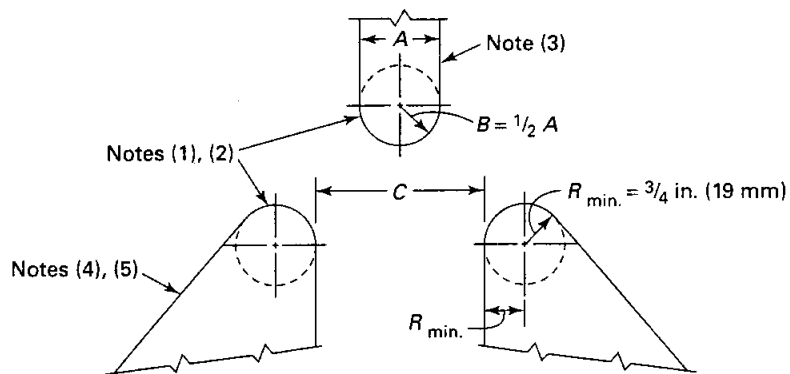
The following formula is provided for convenience in calculating the bend specimen thickness:

$$\text{thickness of specimen } (t) = \frac{A \times \text{percent elongation}}{[100 - (\text{percent elongation})]}$$

(c) For guided-bend jig configuration, see QW-466.2, QW-466.3, and QW-466.4.

(d) The weld and heat-affected zone, in the case of a transverse weld bend specimen, shall be completely within the bend portion of the specimen after testing.

QW-466.1 TEST JIG DIMENSIONS (CONT'D)

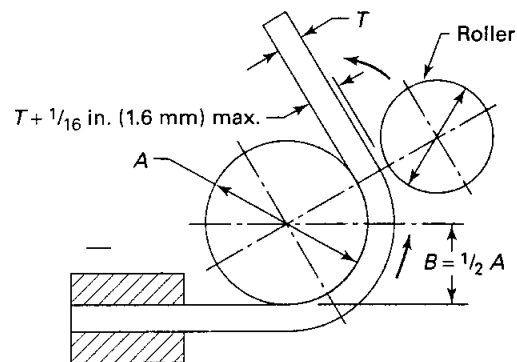


GENERAL NOTE: See QW-466.1 for jig dimensions and general notes.

NOTES:

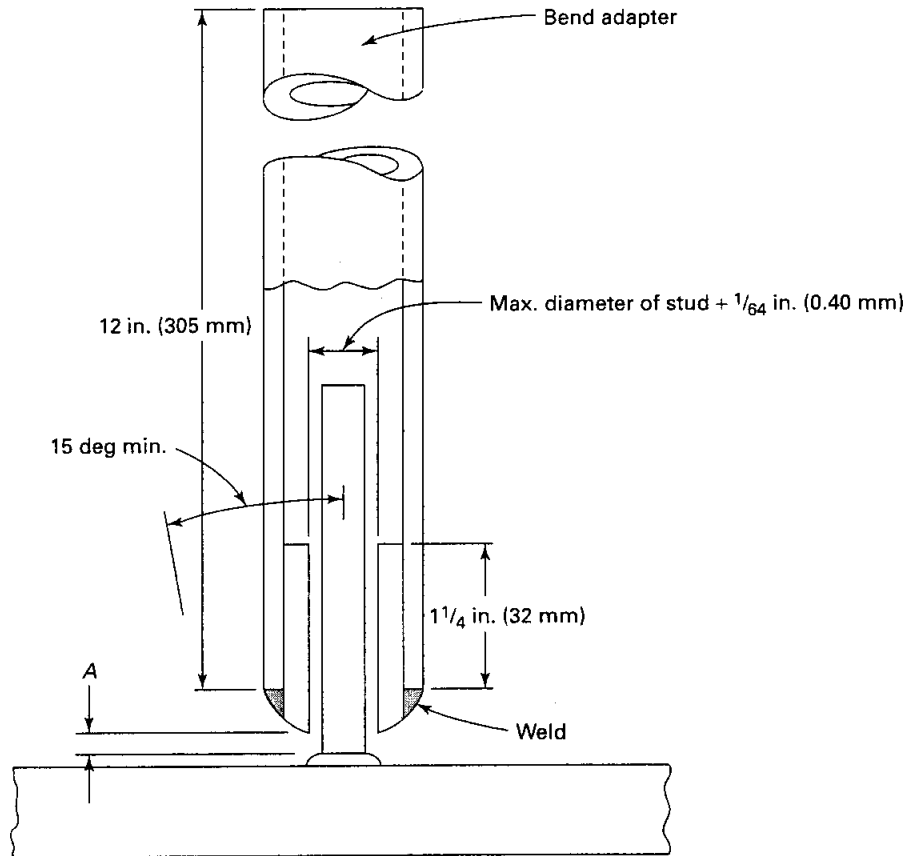
- (1) Either hardened and greased shoulders or hardened rollers free to rotate shall be used.
- (2) The shoulders or rollers shall have a minimum bearing surface of 2 in. (51 mm) for placement of the specimen. The rollers shall be high enough above the bottom of the jig so that the specimens will clear the rollers when the ram is in the low position.
- (3) The ram shall be fitted with an appropriate base and provision made for attachment to the testing machine, and shall be of a sufficiently rigid design to prevent deflection and misalignment while making the bend test. The body of the ram may be less than the dimensions shown in column A of QW-466.1.
- (4) If desired, either the rollers or the roller supports may be made adjustable in the horizontal direction so that specimens of t thickness may be tested on the same jig.
- (5) The roller supports shall be fitted with an appropriate base designed to safeguard against deflection and misalignment and equipped with means for maintaining the rollers centered midpoint and aligned with respect to the ram.

QW-466.2 GUIDED-BEND ROLLER JIG

**GENERAL NOTES:**

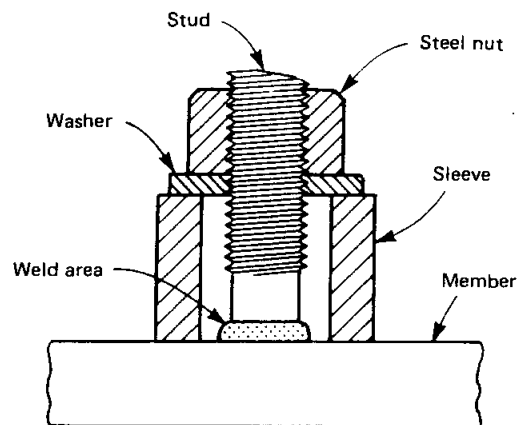
- (a) See QW-466.1 for jig dimensions and other general notes.
- (b) Dimensions not shown are the option of the designer. The essential consideration is to have adequate rigidity so that the jig parts will not spring.
- (c) The specimen shall be firmly clamped on one end so that there is no sliding of the specimen during the bending operation.
- (d) Test specimens shall be removed from the jig when the outer roll has been removed 180 deg from the starting point.

QW-466.3 GUIDED-BEND WRAP AROUND JIG



For Stud Diameter, in. (mm)	Use Adapter Gap, A, in. (mm)
1/8 (3.2)	1/8 (3.2)
3/16 (4.8)	1/8 (3.2)
1/4 (6)	3/16 (4.8)
3/8 (10)	7/32 (5.6)
1/2 (13)	5/16 (8)
5/8 (16)	11/32 (9)
3/4 (19)	15/32 (12)
7/8 (22)	15/32 (12)
1 (25)	19/32 (15)

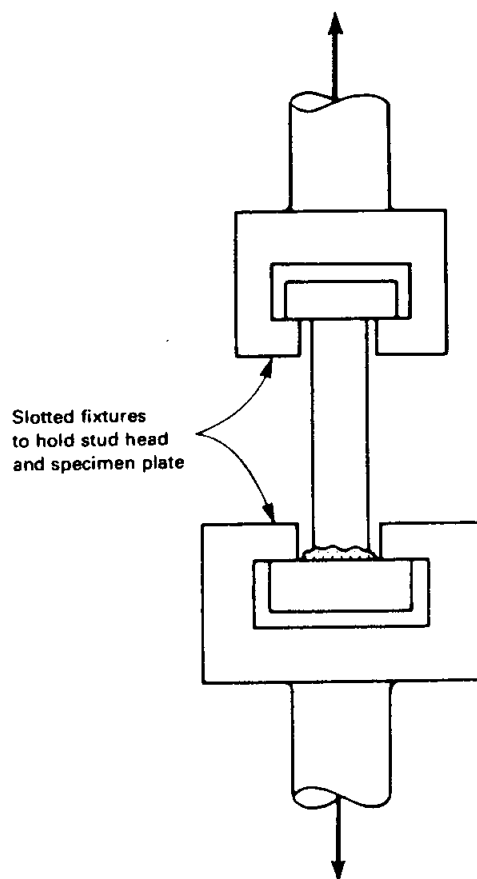
QW-466.4 STUD-WELD BEND JIG



GENERAL NOTES:

- (a) Dimensions are appropriate to the size of the stud.
- (b) Threads of the stud shall be clean and free of lubricant other than residual cutting oil.

QW-466.5 TORQUE TESTING ARRANGEMENT FOR STUD WELDS

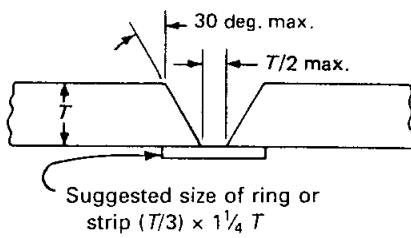


QW-466.6 SUGGESTED TYPE TENSILE TEST FIGURE FOR STUD WELDS

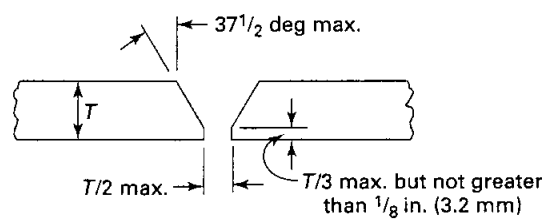
QW-469.1

WELDING DATA

QW-469.2



QW-469.1 BUTT JOINT



QW-469.2 ALTERNATIVE BUTT JOINT

QW-470 ETCHING — PROCESSES AND REAGENTS

QW-471 General

The surfaces to be etched should be smoothed by filing, machining, or grinding on metallographic papers. With different alloys and tempers, the etching period will vary from a few seconds to several minutes, and should be continued until the desired contrast is obtained. As a protection from the fumes liberated during the etching process, this work should be done under a hood. After etching, the specimens should be thoroughly rinsed and then dried with a blast of warm air. Coating the surface with a thin clear lacquer will preserve the appearance.

QW-472 For Ferrous Metals

Etching solutions suitable for carbon and low alloy steels, together with directions for their use, are suggested as follows.

QW-472.1 Hydrochloric Acid. Hydrochloric (muriatic) acid and water, equal parts, by volume. The solution should be kept at or near the boiling temperature during the etching process. The specimens are to be immersed in the solution for a sufficient period of time to reveal all lack of soundness that might exist at their cross-sectional surfaces.

QW-472.2 Ammonium Persulfate. One part of ammonium persulfate to nine parts of water, by weight. The solution should be used at room temperature, and should be applied by vigorously rubbing the surface to be etched with a piece of cotton saturated with the solution. The etching process should be continued until there is a clear definition of the structure in the weld.

QW-472.3 Iodine and Potassium Iodide. One part of powdered iodine (solid form), two parts of powdered potassium iodide, and ten parts of water, all by weight. The solution should be used at room temperature, and brushed on the surface to be etched until there is a clear definition or outline of the weld.

QW-472.4 Nitric Acid. One part of nitric acid and three parts of water, by volume.

CAUTION: Always pour the acid into the water. Nitric acid causes bad stains and severe burns.

The solution may be used at room temperature and applied to the surface to be etched with a glass stirring rod. The specimens may also be placed in a boiling solution of the acid, but the work should be done in a well-ventilated room. The etching process should be

continued for a sufficient period of time to reveal all lack of soundness that might exist at the cross-sectional surfaces of the weld.

QW-473 For Nonferrous Metals

The following etching reagents and directions for their use are suggested for revealing the macrostructure.

QW-473.1 Aluminum and Aluminum-Base Alloys

Hydrochloric acid (concentrated)	15 ml
Hydrofluoric acid (48%)	10 ml
Water	85 ml

This solution is to be used at room temperature, and etching is accomplished by either swabbing or immersing the specimen.

QW-473.2 For Copper and Copper-Base Alloys: Cold Concentrated Nitric Acid. Etching is accomplished by either flooding or immersing the specimen for several seconds under a hood. After rinsing with a flood of water, the process is repeated with a 50-50 solution of concentrated nitric acid and water.

In the case of the silicon bronze alloys, it may be necessary to swab the surface to remove a white (SiO₂) deposit.

QW-473.3 For Nickel and Nickel-Base Alloys

Material	Formula
Nickel	Nitric Acid or Lepito's Etch
Low Carbon Nickel	Nitric Acid or Lepito's Etch
Nickel-Copper (400)	Nitric Acid or Lepito's Etch
Nickel-Chromium-Iron (600 and 800)	Aqua Regia or Lepito's Etch

MAKEUP OF FORMULAS FOR AQUA REGIA AND LEPITO'S ETCH

	Aqua Regia [(1), (3)]	Lepito's Etch [(2), (3)]
Nitric Acid, Concentrated — HNO ₃	1 part	3 ml
Hydrochloric Acid, Concentrated — HCL	2 parts	10 ml
Ammonium Sulfate — (NH ₄) ₂ (SO ₄)	...	1.5 g
Ferric Chloride — FeCl ₃	...	2.5 g
Water	...	7.5 ml

NOTES:

- (1) Warm the parts for faster action.
- (2) Mix solution as follows:
 - (a) Dissolve (NH₄)₂(SO₄) in H₂O.
 - (b) Dissolve powdered FeCl₃ in warm HCl.
 - (c) Mix (a) and (b) above and add HNO₃.
- (3) Etching is accomplished by either swabbing or immersing the specimen.

QW-473.4 For Titanium

	Kroll's Etch	Keller's Etch
Hydrofluoric acid (48%)	1 to 3 ml	½ ml
Nitric acid (concentrated)	2 to 6 ml	2½ ml
Hydrochloric Acid (concentrated)	...	1½ ml
Water	To make 100 ml	To make 100 ml

QW-473.5 For Zirconium

Hydrofluoric acid	3 ml
Nitric acid (concentrated)	22 ml
Water	22 ml

Apply by swab and rinse in cold water.

These are general purpose etchants which are applied at room temperature by swabbing or immersion of the specimen.

QW-490 DEFINITIONS**QW/QB-491 General**

Definitions of the more common terms relating to welding/brazing are defined in QW/QB-492. These are identical to, or substantially in agreement with the definitions of the American Welding Society document, AWS A3.0, Standard Welding Terms and Definitions. There are terms listed that are specific to ASME Section IX and are not presently defined in AWS A3.0. Several definitions have been modified slightly from A3.0 so as to better define the context/intent as used in ASME Section IX.

QW/QB-492 Definitions

arc seam weld — a seam weld made by an arc welding process

arc spot weld — a spot weld made by an arc welding process

arc strike — any inadvertent discontinuity resulting from an arc, consisting of any localized remelted metal, heat-affected metal, or change in the surface profile of any metal object. The arc may be caused by arc welding electrodes, magnetic inspection prods, or frayed electrical cable.

arc welding — a group of welding processes wherein coalescence is produced by heating with an arc or arcs, with or without the application of pressure, and with or without the use of filler metal

as-brazed — adj. pertaining to the condition of brazements after brazing, prior to any subsequent thermal, mechanical, or chemical treatments

as-welded — adj. pertaining to the condition of weld metal, welded joints, and weldments after welding but prior to any subsequent thermal, mechanical, or chemical treatments

backgouging — the removal of weld metal and base metal from the weld root side of a welded joint to facilitate complete fusion and complete joint penetration upon subsequent welding from that side

backhand welding — a welding technique in which the welding torch or gun is directed opposite to the progress of welding

backing — a material placed at the root of a weld joint for the purpose of supporting molten weld metal so as to facilitate complete joint penetration. The material may or may not fuse into the joint. See *retainer*.

backing gas — a gas, such as argon, helium, nitrogen, or reactive gas, which is employed to exclude oxygen from the root side (opposite from the welding side) of weld joints

base metal — the metal or alloy that is welded, brazed, or cut

bond line (brazing and thermal spraying) — the cross section of the interface between a braze or thermal spray deposit and the substrate

braze — a joint produced by heating an assembly to suitable temperatures and by using a filler metal having a liquidus above 840°F and below the solidus of the base materials. The filler metal is distributed between the closely fitted surfaces of the joint by capillary action.

brazier — one who performs a manual or semiautomatic brazing operation

brazing — a group of metal joining processes which produces coalescence of materials by heating them to a suitable temperature, and by using a filler metal having a liquidus above 840°F and below the solidus of the base materials. The filler metal is distributed between the closely fitted surfaces of the joint by capillary action.

brazing, automatic — brazing with equipment which performs the brazing operation without constant observation and adjustment by a brazing operator. The equipment may or may not perform the loading and unloading of the work.

brazing, block (BB) — a brazing process that uses heat from heated blocks applied to the joint. This is an obsolete or seldom used process.

brazing, dip (DB) — a brazing process in which the heat required is furnished by a molten chemical or metal bath. When a molten chemical bath is used, the bath may act as a flux; when a molten metal bath is used, the bath provides the filler metal.

brazing, furnace (FB) — a brazing process in which the workpieces are placed in a furnace and heated to the brazing temperature

brazing, induction (IB) — a brazing process that uses heat from the resistance of the workpieces to induced electric current

brazing, machine — brazing with equipment which performs the brazing operation under the constant observation and control of a brazing operator. The equipment may or may not perform the loading and unloading of the work.

brazing, manual — a brazing operation performed and controlled completely by hand. See *automatic brazing* and *machine brazing*.

brazing, resistance (RB) — a brazing process that uses heat from the resistance to electric current flow in a circuit of which the workpieces are a part

brazing, semiautomatic — brazing with equipment which controls only the brazing filler metal feed. The advance of the brazing is manually controlled.

01 *brazing, torch (TB)* — a brazing process that uses heat from a fuel gas flame

brazing operator — one who operates machine or automatic brazing equipment

brazing temperature — the temperature to which the base metal(s) is heated to enable the filler metal to wet the base metal(s) and form a brazed joint

brazing temperature range — the temperature range within which brazing can be conducted

build-up of base metal/restoration of base metal thickness — this is the application of a weld material to a base metal so as to restore the design thickness and/or structural integrity. This build-up may be with a chemistry different from the base metal chemistry which has been qualified via a standard butt welded test coupon. Also, may be called base metal repair or buildup.

butt joint — a joint between two members aligned approximately in the same plane

buttering — the addition of material, by welding, on one or both faces of a joint, prior to the preparation of the joint for final welding, for the purpose of providing a suitable transition weld deposit for the subsequent completion of the joint

clad brazing sheet — a metal sheet on which one or both sides are clad with brazing filler metal

coalescence — the growing together or growth into one body of the materials being joined

complete fusion — fusion which has occurred over the entire base material surfaces intended for welding, and between all layers and beads

composite — a material consisting of two or more discrete materials with each material retaining its physical identity

consumable insert — filler metal that is placed at the joint root before welding, and is intended to be completely fused into the root to become part of the weld

contact tube — a device which transfers current to a continuous electrode

corner joint — a joint between two members located approximately at right angles to each other in the form of an L

coupon — see *test coupon*

crack — a fracture-type discontinuity characterized by a sharp tip and high ratio of length and width to opening displacement

defect — a discontinuity or discontinuities that by nature or accumulated effect (for example, total crack length) render a part or product unable to meet minimum applicable acceptance standards or specifications. This term designates rejectability. See also *discontinuity* and *flaw*.

direct current electrode negative (DCEN) — the arrangement of direct current arc welding leads in which the electrode is the negative pole and the workpiece is the positive pole of the welding arc

direct current electrode positive (DCEP) — the arrangement of direct current arc welding leads in which the electrode is the positive pole and the workpiece is the negative pole of the welding arc

discontinuity — an interruption of the typical structure of a material, such as a lack of homogeneity in its mechanical, metallurgical, or physical characteristics. A discontinuity is not necessarily a defect. See also *defect* and *flaw*.

double-welded joint — a joint that is welded from both sides

double-welded lap joint — a lap joint in which the overlapped edges of the members to be joined are welded along the edges of both members

dwell — the time during which the energy source pauses at any point in each oscillation

electrode, arc welding — a component of the welding circuit through which current is conducted

electrode, bare — a filler metal electrode that has been produced as a wire, strip, or bar with no coating or covering other than that incidental to its manufacture or preservation

electrode, carbon — a nonfiller material electrode used in arc welding and cutting, consisting of a carbon or graphite rod, which may be coated with copper or other materials

electrode, composite — a generic term of multicomponent filler metal electrodes in various physical forms, such as stranded wires, tubes, and covered electrodes

electrode, covered — a composite filler metal electrode consisting of a core of a bare electrode or metal-cored electrode to which a covering sufficient to provide a slag layer on the weld metal has been applied. The covering may contain materials providing such functions as shielding from the atmosphere, deoxidation, and arc stabilization, and can serve as a source of metallic additions to the weld.

electrode, electroslag welding — a filler metal component of the welding circuit through which current is conducted between the electrode guiding member and the molten slag

NOTE: Bare electrodes and composite electrodes as defined under arc welding electrode are used for electroslag welding. A consumable guide may also be used as part of the electroslag welding electrode system.

electrode, emissive — a filler metal electrode consisting of a core of a bare electrode or a composite electrode to which a very light coating has been applied to produce a stable arc

electrode, flux-cored — a composite filler metal electrode consisting of a metal tube or other hollow configuration containing ingredients to provide such functions as shielding atmosphere, deoxidation, arc stabilization, and slag formation. Alloying materials may be included in the core. External shielding may or may not be used.

electrode, lightly coated — a filler metal electrode consisting of a metal wire with a light coating applied subsequent to the drawing operation, primarily for stabilizing the arc

electrode, metal — a filler or nonfiller metal electrode used in arc welding and cutting that consists of a metal wire or rod that has been manufactured by any method and that is either bare or covered

electrode, metal-cored — a composite filler metal electrode consisting of a metal tube or other hollow configuration containing alloying ingredients. Minor amounts of ingredients providing such functions as arc stabilization and fluxing of oxides may be included. External shielding gas may or may not be used.

electrode, resistance welding — the part of a resistance welding machine through which the welding current and, in most cases, force are applied directly to the workpiece. The electrode may be in the form of a rotating wheel, rotating roll, bar, cylinder, plate, clamp, chuck, or modification thereof.

electrode, stranded — a composite filler metal electrode consisting of stranded wires which may mechanically enclose materials to improve properties, stabilize the arc, or provide shielding

electrode, tungsten — a nonfiller metal electrode used in arc welding, arc cutting, and plasma spraying, made principally of tungsten

face feed — the application of filler metal to the face side of a joint

ferrite number — an arbitrary, standardized value designating the ferrite content of an austenitic stainless steel weld metal. It should be used in place of percent ferrite or volume percent ferrite on a direct one-to-one replacement basis. See the latest edition of AWS A4.2, Standard Procedures for Calibrating Magnetic Instruments to Measure the Delta Ferrite Content of Austenitic Stainless Steel Weld Metal.

filler metal — the metal or alloy to be added in making a welded, brazed, or soldered joint

filler metal, brazing — the metal or alloy used as a filler metal in brazing, which has a liquidus above 450°C (840°F) and below the solidus of the base metal

filler metal, powder — filler metal in particle form

filler metal, supplemental — in electroslag welding or in a welding process in which there is an arc between one or more consumable electrodes and the workpiece, a powder, solid, or composite material that is introduced into the weld other than the consumable electrode(s)

fillet weld — a weld of approximately triangular cross section joining two surfaces approximately at right angles to each other in a lap joint, tee joint, or corner joint

flaw — an undesirable discontinuity. See also *defect*.

flux (welding/brazing) — a material used to dissolve, prevent, or facilitate the removal of oxides or other undesirable surface substances. It may act to stabilize the arc, shield the molten pool, and may or may not evolve shielding gas by decomposition.

flux, active (SAW) — a flux from which the amount of elements deposited in the weld metal is dependent upon the welding conditions, primarily arc voltage

flux, alloy (SAW) — a flux which provides alloying elements in the weld metal deposit

flux, neutral (SAW) — a flux which will not cause a significant change in the weld metal composition when there is a large change in the arc voltage

flux cover — metal bath dip brazing and dip soldering. A layer of molten flux over the molten filler metal bath.

forehand welding — a welding technique in which the welding torch or gun is directed toward the progress of welding

frequency — the completed number of cycles which the oscillating head makes in 1 min or other specified time increment

fuel gas — a gas such as acetylene, natural gas, hydrogen, propane, stabilized methylacetylene propadiene, and other fuels normally used with oxygen in one of the oxyfuel processes and for heating

fused spray deposit (thermal spraying) — a self-fluxing thermal spray deposit which is subsequently heated to coalescence within itself and with the substrate

fusion (fusion welding) — the melting together of filler metal and base metal, or of base metal only, to produce a weld

fusion face — a surface of the base metal that will be melted during welding

fusion line — a non-standard term for weld interface

gas backing — see backing gas

globular transfer (arc welding) — a type of metal transfer in which molten filler metal is transferred across the arc in large droplets

groove weld — a weld made in a groove formed within a single member or in the groove between two members to be joined. The standard types of groove weld are as follows:

- square groove weld
- single-Vee groove weld
- single-bevel groove weld
- single-U groove weld
- single-J groove weld
- single-flare-bevel groove weld

single-flare-Vee groove weld

double-Vee groove weld

double-bevel groove weld

double-U groove weld

double-J groove weld

double-flare-bevel groove weld

double-flare-Vee groove weld

heat-affected zone — that portion of the base metal which has not been melted, but whose mechanical properties or microstructures have been altered by the heat of welding or cutting

interpass temperature — the highest temperature in the weld joint immediately prior to welding, or in the case of multiple pass welds, the highest temperature in the section of the previously deposited weld metal, immediately before the next pass is started

joint — the junction of members or the edges of members which are to be joined or have been joined

joint penetration — the distance the weld metal extends from the weld face into a joint, exclusive of weld reinforcement

keyhole welding — a technique in which a concentrated heat source penetrates partially or completely through a workpiece, forming a hole (keyhole) at the leading edge of the weld pool. As the heat source progresses, the molten metal fills in behind the hole to form the weld bead.

lap or overlap — the distance measured between the edges of two plates when overlapping to form the joint

lap joint — a joint between two overlapping members in parallel planes

lower transformation temperature — the temperature at which austenite begins to form during heating

melt-in — a technique of welding in which the intensity of a concentrated heat source is so adjusted that a weld pass can be produced from filler metal added to the leading edge of the molten weld metal

oscillation — for a machine or automatic process, an alternating motion relative to the direction of travel of welding, brazing, or thermal spray device. See also *weave bead*.

overlay — a non-standard term, used in Section IX, for surfacing. See *hard-facing* and *corrosion-resistant overlay*.

overlay, corrosion-resistant weld metal — deposition of one or more layers of weld metal to the surface of a base material in an effort to improve the corrosion resistance properties of the surface. This would be

applied at a level above the minimum design thickness as a nonstructural component of the overall wall thickness.

overlay, hard-facing weld metal — deposition of one or more layers of weld metal to the surface of a material in an effort to improve the wear resistance properties of the surface. This would be applied at a level above the minimum design thickness as a nonstructural component of the overall wall thickness.

pass — a single progression of a welding or surfacing operation along a joint, weld deposit, or substrate. The result of a pass is a weld bead or layer.

pass, cover — a final or cap pass(es) on the face of a weld

pass, wash — pass to correct minor surface aberrations and/or prepare the surface for nondestructive testing

peel test — a destructive method of testing that mechanically separates a lap joint by peeling

peening — the mechanical working of metals using impact blows

performance qualification — the demonstration of a welder's or welding operator's ability to produce welds meeting prescribed standards

plug weld — a weld made in a circular, or other geometrically shaped hole (like a slot weld) in one member of a lap or tee joint, joining that member to the other. The walls of the hole may or may not be parallel, and the hole may be partially or completely filled with weld metal. (A fillet-welded hole or spot weld should not be construed as conforming to this definition.)

polarity, reverse — the arrangement of direct current arc welding leads with the work as the negative pole and the electrode as the positive pole of the welding arc; a synonym for direct current electrode positive

polarity, straight — the arrangement of direct current arc welding leads in which the work is the positive pole and the electrode is the negative pole of the welding arc; a synonym for direct current electrode negative

postbrazing heat treatment — any heat treatment subsequent to brazing

postheating — the application of heat to an assembly after welding, brazing, soldering, thermal spraying, or thermal cutting

postweld heat treatment — any heat treatment subsequent to welding

powder — see *filler metal, powder*

preheat maintenance — practice of maintaining the minimum specified preheat temperature, or some specified higher temperature for some required time interval after welding or thermal spraying is finished or until post weld heat treatment is initiated

preheat temperature — the minimum temperature in the weld joint preparation immediately prior to the welding; or in the case of multiple pass welds, the minimum temperature in the section of the previously deposited weld metal, immediately prior to welding

preheating — the application of heat to the base metal immediately before a welding or cutting operation to achieve a specified minimum preheat temperature

pulsed power welding — any arc welding method in which the power is cyclically programmed to pulse so that effective but short duration values of a parameter can be utilized. Such short duration values are significantly different from the average value of the parameter. Equivalent terms are pulsed voltage or pulsed current welding. See also *pulsed spray welding*.

pulsed spray welding — an arc welding process variation in which the current is pulsed to utilize the advantages of the spray mode of metal transfer at average currents equal to or less than the globular to spray transition current

rabbit joint — typical design is indicated in QB-462.1(c), QB-462.4, QB-463.1(c), and QB-463.2(a)

retainer — nonconsumable material, metallic or nonmetallic, which is used to contain or shape molten weld metal. See *backing*.

seal weld — any weld designed primarily to provide a specific degree of tightness against leakage

seam weld — a continuous weld made between or upon overlapping members in which coalescence may start and occur on the faying surfaces, or may have proceeded from the surface of one member. The continuous weld may consist of a single weld bead or a series of overlapping spot welds. See *resistance welding*.

short-circuiting transfer (gas metal-arc welding) — metal transfer in which molten metal from a consumable electrode is deposited during repeated short circuits. See also *globular transfer* and *spray transfer*.

single-welded joint — a joint welded from one side only

single-welded lap joint — a lap joint in which the overlapped edges of the members to be joined are welded along the edge of one member only

slag inclusion — nonmetallic solid material entrapped in weld metal or between weld metal and base metal

specimen — refer to test specimen

spot weld — a weld made between or upon overlapping members in which coalescence may start and occur on the faying surfaces or may proceed from the outer surface of one member. The weld cross section (plan view) is approximately circular.

spray-fuse — a thermal spraying technique in which the deposit is reheated to fuse the particles and form a metallurgical bond with the substrate

spray transfer (arc welding) — metal transfer in which molten metal from a consumable electrode is propelled axially across the arc in small droplets

stringer bead — a weld bead formed without appreciable weaving

surfacing — the application by welding, brazing, or thermal spraying of a layer(s) of material to a surface to obtain desired properties or dimensions, as opposed to making a joint

tee joint (T) — a joint between two members located approximately at right angles to each other in the form of a T

test coupon — a weld or braze assembly for procedure or performance qualification testing. The coupon may be any product from plate, pipe, tube, etc., and may be a fillet weld, overlay, deposited weld metal, etc.

test specimen — a sample of a test coupon for specific test. The specimen may be a bend test, tension test, impact test, chemical analysis, macrotest, etc. A specimen may be a complete test coupon, for example, in radiographic testing or small diameter pipe tension testing.

thermal cutting (TC) — a group of cutting processes that severs or removes metal by localized melting, burning, or vaporizing of the workpieces

throat, actual (of fillet) — the shortest distance from the root of a fillet weld to its face

throat, effective (of fillet) — the minimum distance from the fillet face, minus any convexity, to the weld root. In the case of fillet welds combined with a groove weld, the weld root of the groove weld shall be used.

throat, theoretical (of fillet) — the distance from the beginning of the joint root perpendicular to the hypotenuse of the largest right triangle that can be inscribed within the cross-section of a fillet weld. This dimension is based on the assumption that the root opening is equal to zero.

undercut — a groove melted into the base metal adjacent to the weld toe or weld root and left unfilled by weld metal

upper transformation temperature — the temperature at which transformation of the ferrite to austenite is completed during heating

usability — a measure of the relative ease of application of a filler metal to make a sound weld or braze joint

weave bead — for a manual or semiautomatic process, a weld bead formed using weaving. See also *oscillation*.

weaving — a welding technique in which the energy source is oscillated transversely as it progresses along the weld path

weld — a localized coalescence of metals or nonmetals produced either by heating the materials to the welding temperature, with or without the application of pressure, or by the application of pressure alone and with or without the use of filler material

weld, autogenous — a fusion weld made without filler metal

weld bead — a weld deposit resulting from a pass. See *stringer bead* and *weave bead*.

weld face — the exposed surface of a weld on the side from which welding was done

weld interface — the interface between the weld metal and base metal in a fusion weld

weld metal — metal in a fusion weld consisting of that portion of the base metal and filler metal melted during welding

weld reinforcement — weld metal on the face or root of a groove weld in excess of the metal necessary for the specified weld size

weld size: groove welds — the depth of chamfering plus any penetration beyond the chamfering, resulting in the strength carrying dimension of the weld

weld size: for equal leg fillet welds — the leg lengths of the largest isosceles right triangle which can be inscribed within the fillet weld cross section

weld size: for unequal leg fillet welds — the leg lengths of the largest right triangle which can be inscribed within the fillet weld cross section

welder — one who performs manual or semiautomatic welding

welding, arc stud (SW) — an arc welding process that uses an arc between a metal stud, or similar part, and the other workpiece. The process is used without filler metal, with or without shielding gas or flux, with or

without partial shielding from a ceramic or graphite ferrule surrounding the stud, and with the application of pressure after the faying surfaces are sufficiently heated.

welding, automatic — welding with equipment which performs the welding operation without adjustment of the controls by a welding operator. The equipment may or may not perform the loading and unloading of the work. See *machine welding*.

welding, consumable guide electroslag — an electroslag welding process variation in which filler metal is supplied by an electrode and its guiding member

welding, electrogas (EGW) — an arc welding process that uses an arc between a continuous filler metal electrode and the weld pool, employing approximately vertical welding progression with retainers to confine the weld metal. The process is used with or without an externally supplied shielding gas and without the application of pressure. Shielding for use with solid or metal-cored electrodes is obtained from a gas or gas mixture. Shielding for use with flux-cored electrodes may or may not be obtained from an externally supplied gas or gas mixture.

welding, electron beam (EBW) — a welding process that produces coalescence with a concentrated beam composed primarily of high velocity electrons, impinging on the joint. The process is used without shielding gas and without the application of pressure.

welding, electroslag (ESW) — a welding process producing coalescence of metals with molten slag which melts the filler metal and the surfaces of the work to be welded. The molten weld pool is shielded by this slag which moves along the full cross section of the joint as welding progresses. The process is initiated by an arc which heats the slag. The arc is then extinguished and the conductive slag is maintained in a molten condition by its resistance to electric current passing between the electrode and the work. See electroslag welding electrode and consumable guide electroslag welding.

welding, flux-cored arc (FCAW) — a gas metal-arc welding process that uses an arc between a continuous filler metal electrode and the weld pool. The process is used with shielding gas from a flux contained within the tubular electrode, with or without additional shielding from an externally supplied gas, and without the application of pressure.

welding, friction (FRW) — a solid state welding process that produces a weld under compressive force contact of workpieces rotating or moving relative to one another

to produce heat and plastically displace material from the faying surfaces

welding, friction, inertia and continuous drive — processes and types of friction welding (solid state welding process) wherein coalescence is produced after heating is obtained from mechanically induced sliding motion between rubbing surfaces held together under pressure. Inertia welding utilizes all of the kinetic energy stored in a revolving flywheel spindle system. Continuous-drive friction welding utilizes the energy provided by a continuous drive source such as an electric or hydraulic motor.

welding, gas metal-arc (GMAW) — an arc welding process that uses an arc between a continuous filler metal electrode and the weld pool. The process is used with shielding from an externally supplied gas and without the application of pressure.

welding, gas metal-arc, pulsed arc (GMAW-P) — a variation of the gas metal-arc welding process in which the current is pulsed. See also *pulsed power welding*.

welding, gas metal-arc, short-circuiting arc (GMAW-S) — a variation of the gas metal-arc welding process in which the consumable electrode is deposited during repeated short circuits. See also *short-circuiting transfer*.

welding, gas tungsten-arc (GTAW) — an arc welding process which produces coalescence of metals by heating them with an arc between a tungsten (nonconsumable) electrode and the work. Shielding is obtained from a gas or gas mixture. Pressure may or may not be used and filler metal may or may not be used. (This process has sometimes been called TIG welding, a nonpreferred term.)

welding, gas tungsten-arc, pulsed arc (GTAW-P) — a variation of the gas tungsten-arc welding process in which the current is pulsed. See also *pulsed power welding*.

welding, induction (IW) — a welding process that produces coalescence of metals by the heat obtained from resistance of the workpieces to the flow of induced high frequency welding current with or without the application of pressure. The effect of the high-frequency welding current is to concentrate the welding heat at the desired location.

welding, laser beam (LBW) — a welding process which produces coalescence of materials with the heat obtained from the application of a concentrated coherent light beam impinging upon the members to be joined

welding, machine — welding with equipment which performs the welding operation under the constant observation and control of a welding operator. The

equipment may or may not perform the loading and unloading of the work. See *automatic welding*.

welding, manual — welding wherein the entire welding operation is performed and controlled by hand

welding, operator — one who operates machine or automatic welding equipment

welding, oxyfuel gas (OFW) — a group of welding processes which produces coalescence by heating materials with an oxyfuel gas flame or flames, with or without the application of pressure, and with or without the use of filler metal

welding, plasma-arc (PAW) — an arc welding process which produces coalescence of metals by heating them with a constricted arc between an electrode and the workpiece (transferred arc), or the electrode and the constricting nozzle (nontransferred arc). Shielding is obtained from the hot, ionized gas issuing from the torch orifice which may be supplemented by an auxiliary source of shielding gas. Shielding gas may be an inert gas or a mixture of gases. Pressure may or may not be used, and filler metal may or may not be supplied.

welding, projection (PW) — a resistance welding process that produces coalescence by the heat obtained from the resistance of the flow of welding current. The resulting welds are localized at predetermined points by projections, embossments, or intersections. The metals to be joined lap over each other.

welding, resistance (RW) — a group of welding processes that produces coalescence of the faying surfaces with the heat obtained from resistance of the workpieces to the flow of the welding current in a circuit of which the workpieces are a part, and by the application of pressure

welding, resistance seam (RSEW) — a resistance welding process that produces a weld at the faying surfaces of overlapped parts progressively along a length of a joint. The weld may be made with overlapping weld nuggets, a continuous weld nugget, or by forging the

joint as it is heated to the welding temperature by resistance to the flow of the welding current.

welding, resistance spot (RSW) — a resistance welding process that produces a weld at the faying surfaces of a joint by the heat obtained from resistance to the flow of welding current through the workpieces from electrodes that serve to concentrate the welding current and pressure at the weld area

welding, resistance stud — a resistance welding process wherein coalescence is produced by the heat obtained from resistance to electric current at the interface between the stud and the workpiece, until the surfaces to be joined are properly heated, when they are brought together under pressure

welding, semiautomatic arc — arc welding with equipment which controls only the filler metal feed. The advance of the welding is manually controlled.

welding, shielded metal-arc (SMAW) — an arc welding process with an arc between a covered electrode and the weld pool. The process is used with shielding from the decomposition of the electrode covering, without the application of pressure, and with filler metal from the electrode

welding, stud — a general term for the joining of a metal stud or similar part to a workpiece. Welding may be accomplished by arc, resistance, friction, or other suitable process with or without external gas shielding.

welding, submerged-arc (SAW) — an arc welding process that uses an arc or arcs between a bare metal electrode or electrodes and the weld pool. The arc and molten metal are shielded by a blanket of granular flux on the workpieces. The process is used without pressure and with filler metal from the electrode and sometimes from a supplemental source (welding rod, flux, or metal granules).

weldment — an assembly whose constituent parts are joined by welding, or parts which contain weld metal overlay

ARTICLE V

STANDARD WELDING PROCEDURE SPECIFICATIONS (SWPSs)

QW-500 GENERAL

The SWPSs listed in Appendix E are acceptable for construction in which the requirements of the ASME Boiler and Pressure Vessel Code, Section IX are specified. Any requirements of the applicable Construction Code Section regarding SWPS take precedence over the requirements of Section IX. These SWPSs are not permitted for construction where impact testing of the WPS is required by the Construction Code.

QW-510 ADOPTION OF SWPSs

Prior to use, the manufacturer or contractor that will be responsible for and provide operational control over production welding shall comply with the following for each SWPS that it intends to use, except as noted in QW-520.

(a) Enter the name of the manufacturer or contractor on the SWPS.

(b) An employee of that manufacturer or contractor shall sign and date the SWPS.

(c) The applicable Code Section(s) (Section VIII, B31.1, etc.) and/or any other fabrication document (contract, specification, etc.) that must be followed during welding shall be listed on the SWPS.

(d) The manufacturer or contractor shall weld and test one groove weld test coupon following that SWPS. The following information shall be recorded:

(1) the specification, type, and grade of the base metal welded;

(2) groove design;

(3) initial cleaning method;

(4) presence or absence of backing;

(5) The ASME or AWS specification and AWS classification of electrode or filler metal used and manufacturer's trade name;

(6) size and classification of tungsten electrode for GTAW;

(7) size of consumable electrode or filler metal;

(8) shielding gas and flow rate for GTAW and GMAW;

(9) preheat temperature;

(10) position of the groove weld and, if applicable, the progression;

(11) if more than one process or electrode type is used, the approximate weld metal deposit thickness for each process or electrode type;

(12) maximum interpass temperature;

(13) post weld heat treatment used, including holding time and temperature range;

(14) visual inspection and mechanical testing results;

(15) the results of radiographic examination when permitted as an alternative to mechanical testing by QW-304.

(e) The coupon shall be visually examined in accordance with QW-302.4 and mechanically tested in accordance with QW-302.1 or radiographically examined in accordance with QW-302.2. If visual examination, radiographic examination, or any test specimen fails to meet the required acceptance criteria, the test coupon shall be considered as failed and a new test coupon shall be welded before the organization may use the SWPS.

QW-511 Use of Demonstrated SWPSs

Code Sections or fabrication documents that are required to be referenced by QW-510(c) may be added or deleted from a demonstrated SWPS without further demonstrations.

QW-520 USE OF SWPSs WITHOUT DISCRETE DEMONSTRATION

Once an SWPS has been demonstrated, additional SWPSs that are similar to the SWPS that was demonstrated may be used without further demonstration. Such additional SWPSs shall be compared to the SWPS that was used for the demonstration, and the following limitations shall not be exceeded:

(a) a change in the welding process. When a single-process SWPS has been demonstrated, multi-process SWPSs may be followed, but only the process that was demonstrated may be used.

(b) a change in the P- or S-Number;

(c) a change from the as-welded condition to the heat-treated condition. This limitation also applies for SWPSs that allow use in both conditions (e.g., SWPS B2.1-021 allows production welding with or without heat treatment; if the demonstration was performed without heat treatment, production welding with heat treatment is not permitted). Once heat treatment has been demonstrated for any SWPS, this limitation no longer applies.

(d) a change from a gas-shielded flux-cored wire or solid wire to a self-shielded flux-cored wire or vice versa;

(e) a change from spray, globular, or pulsed transfer mode to short-circuiting transfer mode or vice-versa;

(f) a change in the F-Number of the welding electrode;

(g) the addition of preheat above ambient temperature;

(h) a change from an SWPS that is identified as for sheet metal to one that is not and vice versa.

QW-530 FORMS

A suggested Form QW-485 for documenting the welding conditions and test results of the demonstration is provided in Nonmandatory Appendix B.

QW-540 PRODUCTION USE OF SWPSs

As with any WPS, welding that is done following an SWPS shall be done in strict accordance with the

SWPS. In addition, the following conditions apply to the use of SWPSs:

(a) The manufacturer or contractor may not deviate from the welding conditions specified on the SWPS.

(b) SWPSs may not be supplemented with PQRs or revised in any manner except for reference to the applicable Code Section or other fabrication documents as provided by QW-511.

(c) Only the welding processes shown on an SWPS shall be used in given production joint. When a multi-process SWPS is selected, the processes shown on the SWPS shall be used in the order and manner specified on the SWPS.

(d) SWPSs shall not be used in the same production joint together with WPSs qualified by the manufacturer or contractor.

(e) The manufacturer or contractor may supplement an SWPS by attaching additional instructions to provide the welder with further direction for making production welds to Code or other requirements. When SWPSs are supplemented with instructions that address any condition shown on the SWPS, such instructions shall be within the limits of the SWPS. For example, when an SWPS permits use of several electrode sizes, supplemental instructions may direct the welder to use only one electrode size out of those permitted by the SWPS; however, the supplemental instructions may not permit the welder to use a size other than one or more of those permitted by the SWPS.

(f) SWPSs may not be used until the demonstration of QW-510 has been satisfactorily welded, tested, and certified.

(g) The identification number of the Supporting Demonstration shall be noted on each SWPS that it supports prior to using the SWPS.

(h) The certified Supporting Demonstration Record shall be available for review by Authorized Inspector.

PART QB BRAZING

ARTICLE XI

BRAZING GENERAL REQUIREMENTS

QB-100 GENERAL

Section IX of the ASME Boiler and Pressure Vessel Code relates to the qualification of welders, welding operators, brazers, and brazing operators, and the procedures that they employ in welding and brazing according to the ASME Boiler and Pressure Vessel Code and the ASME B31 Code for Pressure Piping. It is divided into two parts: Part QW gives requirements for welding and Part QB contains requirements for brazing.

QB-100.1 The purpose of the Brazing Procedure Specification (BPS) and Procedure Qualification Record (PQR) is to determine that the brazement proposed for construction is capable of providing the required properties for its intended application. It is presupposed that the brazer or brazing operator performing the brazing procedure qualification test is a skilled workman. That is, the brazing procedure qualification test establishes the properties of the brazement, not the skill of the brazer or brazing operator. Briefly, a BPS lists the variables, both essential and nonessential, and the acceptable ranges of these variables when using the BPS. The BPS is intended to provide direction for the brazer or brazing operator. The PQR lists what was used in qualifying the BPS and the test results.

QB-100.2 In performance qualification, the basic criterion established for brazer qualification is to determine the brazer's ability to make a sound brazed joint. The purpose of the performance qualification test for the brazing operator is to determine the operator's mechanical ability to operate the brazing equipment.

QB-100.3 Brazing Procedure Specifications (BPS) written and qualified in accordance with the rules of this Section, and brazers and operators of automatic and machine brazing equipment also qualified in accordance with these rules may be used in any construction built to the requirements of the ASME Boiler and

Pressure Vessel Code or the ASME B31 Code for Pressure Piping.

However, other Sections of the Code state the conditions under which Section IX requirements are mandatory, in whole or in part, and give additional requirements. The reader is advised to take these provisions into consideration when using this Section.

Brazing Procedure Specifications, Procedure Qualification Records, and Brazer or Brazing Operator Performance Qualifications made in accordance with the requirements of the 1962 Edition or any later Edition of Section IX may be used in any construction built to the ASME Boiler and Pressure Vessel Code or the ASME B31 Code for Pressure Piping.

Brazing Procedure Specifications, Procedure Qualification Records, and Brazer or Brazing Operator Performance Qualifications made in accordance with the requirements of the Editions of Section IX prior to 1962, in which all of the requirements of the 1962 Edition or later Editions are met, may also be used.

Brazing Procedure Specifications and Brazer/Brazing Operator Performance Qualification Records meeting the above requirements do not need to be amended to include any variables required by later Editions and Addenda.

Qualification of new Brazing Procedure Specifications or Brazers/Brazing Operators and requalification of existing Brazing Procedure Specifications or Brazers/Brazing Operators shall be in accordance with the current Edition (see Foreword) and Addenda of Section IX.

QB-101 Scope

The rules in this Section apply to the preparation of Brazing Procedure Specifications, and the qualification of brazing procedures, brazers, and brazing operators for all types of manual and machine brazing

processes permitted in this Section. These rules may also be applied, insofar as they are applicable, to other manual or machine brazing processes, permitted in other Sections.

QB-102 Terms and Definitions

Some of the more common terms relating to brazing are defined in QW/QB-492. These are in substantial agreement with the definitions of the American Welding Society given in its document, A3.0-89, Standard Welding Terms and Definitions.

Wherever the word pipe is designated, tubes shall also be applicable.

QB-103 Responsibility

QB-103.1 Brazing. Each manufacturer¹ or contractor¹ is responsible for the brazing done by his organization, and shall conduct the tests required in this Section to qualify the brazing procedures he uses in the construction of the brazed assemblies built under this Code and the performance of brazers and brazing operators who apply these procedures.

QB-103.2 Records. Each manufacturer or contractor shall maintain a record of the results obtained in brazing procedure and brazer or brazing operator performance qualifications. These records shall be certified by the manufacturer or contractor and shall be accessible to the Authorized Inspector. Refer to recommended Forms in Nonmandatory Appendix B.

QB-110 BRAZE ORIENTATION

The orientations of brazes with respect to planes of reference are classified in accordance with QB-461 into four positions² (A, B, C, and D in column 1), based on the basic flow of brazing filler metal through joints. These positions are flat flow, vertical downflow, vertical upflow, and horizontal flow.

QB-120 TEST POSITIONS FOR LAP, BUTT, SCARF, OR RABBIT JOINTS

Brazed joints may be made in test coupons oriented in any of the positions in QB-461 and as described in the following paragraphs, except that angular devia-

¹ Wherever these words are used in Section IX, they shall include installer or assembler.

² In the following paragraphs the word *position* is synonymous with *flow position*.

tion from the specified horizontal and vertical flow planes in accordance with column 1 of QB-461 is permitted during brazing.

QB-121 Flat-Flow Position

The joints in position suitable for applying brazing filler metal in rod, strip, or other suitable form under the flat-flow conditions are shown in sketches (1) through (5) of Line A in QB-461. The maximum permitted angular deviation from the specified flow plane is ± 15 deg.

QB-122 Vertical-Downflow Position

The joints in a position suitable for applying brazing filler metal in rod, strip, or other suitable form under the vertical-downflow conditions are shown in sketches (1) through (4) of Line B in QB-461. The brazing filler metal flows by capillary action with the aid of gravity downward into the joint. The maximum permitted angular deviation from the specified flow plane is ± 75 deg.

QB-123 Vertical-Upflow Position

The joints in position suitable for applying brazing filler metal in rod, strip, or other suitable form under the vertical-upflow conditions are shown in sketches (1) through (4) of Line C in QB-461. The brazing filler metal flows by capillary action through the joint. The maximum permitted angular deviation from the specified flow plane is ± 75 deg.

QB-124 Horizontal-Flow Position

The joints in a position suitable for applying brazing filler metal in rod, strip, or other suitable form under the horizontal-flow conditions are shown in sketches (1) and (2) of Line D of QB-461. The brazing filler metal flows horizontally by capillary action through the joint. The maximum permitted angular deviation from the specified flow plane is ± 75 deg.

QB-140 TYPES AND PURPOSES OF TESTS AND EXAMINATIONS

QB-141 Tests

Tests used in brazing procedure and performance qualifications are as follows.

QB-141.1 Tension Tests. Tension tests, as described in QB-150, are used to determine the ultimate strength of brazed butt, scarf, lap, and rabbet joints.

QB-141.2 Guided-Bend Tests. Guided-bend tests, as described in QB-160, are used to determine the degree of soundness and ductility of butt and scarf joints.

QB-141.3 Peel Tests. Peel tests, as described in QB-170, are used to determine the quality of the bond and the amount of defects in lap joints.

QB-141.4 Sectioning Tests. Sectioning tests, i.e., the sectioning of test coupons, as described in QB-180, are used to determine the soundness of workmanship coupons or test specimens. Sectioning tests are also used as a substitute for the peel test where the strength of brazing filler material is equal to or greater than the strength of the base metals.

QB-141.5 Workmanship Coupons. Workmanship coupons, as described in QB-182, are used to determine the soundness of joints other than the standard butt, scarf, lap, and rabbet joints.

QB-141.6 Visual Examination. Visual examination of brazed joints is used for estimating the soundness by external appearance, such as continuity of the brazing filler metal, size, contour, and wetting of fillet along the joint and, where appropriate, to determine if filler metal flowed through the joint from the side of application to the opposite side.

QB-150 TENSION TESTS

QB-151 Specimens

Tension test specimens shall conform to one of the types illustrated in QB-462.1(a) through QB-462.1(f), and shall meet the requirements of QB-153.

QB-151.1 Reduced Section — Plate. Reduced-section specimens conforming to the requirements given in QB-462.1(a) and QB-462.1(c) may be used for tension tests on all thicknesses of plate. The specimens may be tested in a support fixture in substantial accordance with QB-462.1(f).

(a) For thicknesses up to and including 1 in. (25 mm), a full thickness specimen shall be used for each required tension test.

(b) For plate thicknesses greater than 1 in. (25 mm), full thickness specimens or multiple specimens may be used, provided QB-151.1(c) and QB-151.1(d) are complied with.

(c) When multiple specimens are used in lieu of full thickness specimens, each set shall represent a single tension test of the full plate thickness. Collectively, all of the specimens required to represent the full thickness of the brazed joint at one location shall comprise a set.

(d) When multiple specimens are necessary, the entire thickness shall be mechanically cut into a minimum number of approximately equal strips of a size that can be tested in the available equipment. Each specimen of the set shall be tested and meet the requirements of QB-153.

QB-151.2 Reduced Section — Pipe. Reduced-section specimens conforming to the requirements given in QB-462.1(b) may be used for tension tests on all thicknesses of pipe or tube having an outside diameter greater than 3 in. (76 mm). The specimens may be tested in a support fixture in substantial accordance with QB-462.1(f).

(a) For thicknesses up to and including 1 in. (25 mm), a full thickness specimen shall be used for each required tension test.

(b) For pipe thicknesses greater than 1 in. (25 mm), full thickness specimens or multiple specimens may be used, provided QB-151.2(c) and QB-151.2(d) are complied with.

(c) When multiple specimens are used in lieu of full thickness specimens, each set shall represent a single tension test of the full pipe thickness. Collectively, all of the specimens required to represent the full thickness of the brazed joint at one location shall comprise a set.

(d) When multiple specimens are necessary, the entire thickness shall be mechanically cut into a minimum number of approximately equal strips of a size that can be tested in the available equipment. Each specimen of the set shall be tested and meet the requirements of QB-153.

QB-151.3 Full-Section Specimens for Pipe. Tension specimens conforming to the dimensions given in QB-462.1(e) may be used for testing pipe with an outside diameter of 3 in. (76 mm) or less.

QB-152 Tension Test Procedure

The tension test specimen shall be ruptured under tensile load. The tensile strength shall be computed by dividing the ultimate total load by the least cross-sectional area of the specimen as measured before the load is applied.

QB-153 Acceptance Criteria — Tension Tests

01 **QB-153.1 Tensile Strength.** Minimum values for procedure qualification are provided under the column heading "Minimum Specified Tensile, ksi" of QW/QB-422. In order to pass the tension test, the specimen shall have a tensile strength that is not less than:

(a) the specified minimum tensile strength of the base metal in the annealed condition; or

(b) the specified minimum tensile strength of the weaker of the two in the annealed condition, if base metals of different specified minimum tensile strengths are used; or

(c) if the specimen breaks in the base metal outside of the braze, the test shall be accepted as meeting the requirements, provided the strength is not more than 5% below the minimum specified tensile strength of the base metal in the annealed condition.

(d) the specified minimum tensile strength is for full thickness specimens including cladding for Aluminum Alclad materials (P-No. 104 and P-No. 105) 0.499 in. (12.5 mm) and less. For Aluminum Alclad materials 0.5 in. (13 mm) and greater, the specified minimum tensile strength is for both full thickness specimens that include cladding and specimens taken from the core.

QB-160 GUIDED-BEND TESTS**QB-161 Specimens**

Guided-bend test specimens shall be prepared by cutting the test plate or pipe to form specimens of approximately rectangular cross section. The cut surfaces shall be designated the sides of the specimen. The other two surfaces shall be designated the first and second surfaces. The specimen thickness and bend radius are shown in QB-466.1, QB-466.2, and QB-466.3. Guided-bend specimens are of five types, depending on whether the axis of the joint is transverse or parallel to the longitudinal axis of the specimen, and which surface (first or second) is on the convex (outer) side of the bent specimen. The five types are defined as follows.

QB-161.1 Transverse First Surface Bend. The joint is transverse to the longitudinal axis of the specimen, which is bent so that the first surface becomes the convex surface of the bent specimen. In general, the *first surface* is defined as that surface from which the brazing filler metal is applied and is fed by capillary attraction into the joint. Transverse first surface bend specimens shall conform to the dimensions shown in

QB-462.2(a). For subsize first surface bends, see QB-161.3.

QB-161.2 Transverse Second Surface Bend. The joint is transverse to the longitudinal axis of the specimen, which is bent so that the second surface becomes the convex surface of the bent specimen. In general, the *second surface* is defined as the surface opposite to that from which the brazing filler metal is placed or fed, but definitely is the surface opposite to that designated as the first surface, irrespective of how the brazing filler metal is fed. Transverse second surface bend specimens shall conform to the dimensions shown in QB-462.2(a). For subsize first surface bends, see QB-161.3.

QB-161.3 Subsize Transverse Bend. In those cases where the wall thickness of the tube or pipe is less than $\frac{3}{8}$ in. (10 mm) and the diameter-to-thickness ratio does not permit the preparation of full-size rectangular guided-bend specimens, the $1\frac{1}{2}$ in. (38 mm) wide standard guided-bend specimen shown in QB-462.2(a) may be replaced by three subsize specimens having a width of $\frac{3}{8}$ in. (10 mm) or $4t$, whichever is less.

QB-161.4 Longitudinal-Bend Tests. Longitudinal-bend tests may be used in lieu of the transverse-bend tests for testing braze metal or base metal combinations, which differ markedly in bending properties between

(a) the two base metals; or

(b) the braze metal and the base metal.

QB-161.5 Longitudinal First Surface Bend. The joint is parallel to the longitudinal axis of the specimen, which is bent so that the first surface becomes the convex surface of the bent specimen. The definition of first surface is as given in QB-161.1. Longitudinal first surface bend specimens shall conform to the dimensions given in QB-462.2(b).

QB-161.6 Longitudinal Second Surface Bend. The joint is parallel to the longitudinal axis of the specimen, which is bent so that the second surface becomes the convex surface of the specimen. The definition of the second surface is given in QB-161.2. Longitudinal second surface bend specimens shall conform to the dimensions given in QB-462.2(b).

QB-162 Guided-Bend Test Procedure

QB-162.1 Jigs. Guided-bend specimens shall be bent in test jigs that are in substantial accordance with QB-466. When using the jigs in accordance with QB-466.1 or QB-466.2, the side of the specimen turned toward the gap of the jig shall be the first surface for first

surface bend specimens (defined in QB-161.1), and the second surface for second surface bend specimens (defined in QB-161.2). The specimen shall be forced into the die by applying load on the plunger until the curvature of the specimen is such that a $\frac{1}{8}$ in. (3.2 mm) diameter wire cannot be inserted between the specimen and the die of QB-466.1, or the specimen is bottom ejected, if the roller type of jig (QB-466.2) is used.

When using the wrap around jig (QB-466.3) the side of the specimen turned toward the roller shall be the first surface for first surface bend specimens, and the second surface for second surface bend specimens.

QB-163 Acceptance Criteria — Bend Tests

The joint of a transverse-bend specimen shall be completely within the bent portion of the specimen after testing.

The guided-bend specimens shall have no open discontinuities exceeding $\frac{1}{8}$ in. (3.2 mm), measured in any direction on the convex surface of the specimen after bending. Cracks occurring on the corners of the specimen during testing shall not be considered, unless there is definite evidence that they result from flux inclusions, voids, or other internal discontinuities.

QB-170 PEEL TESTS

QB-171 Specimens

The dimensions and preparation of the peel test specimen shall conform to the requirements of QB-462.3.

QB-172 Acceptance Criteria — Peel Test

In order to pass the peel test, the specimens shall show evidence of brazing filler metal along each edge of the joint. Specimens shall be separated or peeled

either by clamping Section A and striking Section B with a suitable tool such that the bending occurs at the fulcrum point (see QB-462.3), or by clamping Section A and Section B in a machine suitable for separating the sections under tension. The separated faying surfaces of joints shall meet the following criteria.

(a) The total area of discontinuities (unbrazed areas, flux inclusions, etc.) shall not exceed 25% of the total area of any individual faying surface.

(b) The sum of the lengths of the discontinuities measured on any one line in the direction of the lap shall not exceed 25% of the lap.

(c) No discontinuity shall extend continuously from one edge of the joint to the other edge, irrespective of its direction.

QB-180 SECTIONING TESTS AND WORKMANSHIP COUPONS

QB-181 Sectioning Test Specimens

The dimensions and configuration of the sectioning test specimens shall conform to the requirements of QB-462.4. Each side of the specimen shall be polished and examined with at least a four-power magnifying glass. The sum of the length of unbrazed areas on either side, considered individually, shall not exceed 20% of the length of the joint overlap.

QB-182 Workmanship Coupons

The dimensions and configuration of the workmanship coupon shall conform to the nearest approximation of the actual application. Some typical workmanship coupons are shown in QB-462.5. Each side of the specimen shall be polished and examined with at least a four-power magnifying glass. The sum of the length of unbrazed areas on either side, considered individually, shall not exceed 20% of the length of the joint overlap.

ARTICLE XII

BRAZING PROCEDURE QUALIFICATIONS

QB-200 GENERAL

QB-200.1 Each manufacturer or contractor shall prepare written Brazing Procedure Specifications, which are defined as follows.

(a) *Brazing Procedure Specification (BPS)*. A BPS is a written qualified brazing procedure prepared to provide direction for making production brazes to Code requirements. The BPS or other documents [see QB-200.1(e)] may be used to provide direction to the brazer or brazing operator to assure compliance with the Code requirements.

(b) *Contents of the BPS*. The completed BPS shall describe all of the essential and nonessential variables for each brazing process used in the BPS. These variables are listed in QB-250 and are defined in Article XIV, Brazing Data.

The BPS shall reference the supporting Procedure Qualification Record(s) (PQR) described in QB-200.2. The manufacturer or contractor may include any other information in the BPS that may be helpful in making a Code braze.

(c) *Changes to the BPS*. Changes may be made in the nonessential variables of a BPS to suit production requirements without requalification provided such changes are documented with respect to the essential and nonessential variables for each process. This may be by amendment to the BPS or by use of a new BPS.

Changes in essential variables require requalification of the BPS [new or additional PQRs to support the change in essential variable(s)].

(d) *Format of the BPS*. The information required to be in the BPS may be in any format, written or tabular, to fit the needs of each manufacturer or contractor, as long as every essential and nonessential variable outlined in QB-250 is included or referenced.

Form QB-482 (see Nonmandatory Appendix B) has been provided as a guide for the BPS. It is only a guide and does not list all required data for all brazing processes.

(e) *Availability of the BPS*. A BPS used for Code production brazing shall be available for reference

and review by the Authorized Inspector (AI) at the fabrication site.

QB-200.2 Each manufacturer or contractor shall be required to prepare a procedure qualification record, which is defined as follows.

(a) *Procedure Qualification Record (PQR)*. A PQR is a record of the brazing data used to braze a test coupon. The PQR is a record of variables recorded during the brazing of the test coupons. It also contains the test results of the tested specimens. Recorded variables normally fall within a small range of the actual variables that will be used in production brazing.

(b) *Contents of the PQR*. The completed PQR shall document all essential variables of QB-250 for each brazing process used during the brazing of the test coupon. Nonessential or other variables used during the brazing of the test coupon may be recorded at the manufacturer's or contractor's option. All variables, if recorded, shall be the actual variables (including ranges) used during the brazing of the test coupon. If variables are not monitored during brazing, they shall not be recorded. It is not intended that the full range or the extreme of a given range of variables to be used in production be used during qualification unless required due to a specific essential variable.

The PQR shall be certified accurate by the manufacturer or contractor. The manufacturer or contractor may not subcontract the certification function. This certification is intended to be the manufacturer's or contractor's verification that the information in the PQR is a true record of the variables that were used during the brazing of the test coupon and that the resulting tensile, bend, peel, or section (as required) test results are in compliance with Section IX.

(c) *Changes to the PQR*. Changes to the PQR are not permitted, except as described below. It is a record of what happened during a particular brazing test. Editorial corrections or addenda to the PQR are permitted. An example of an editorial correction is an incorrect P-Number or F-Number that was assigned to a particular base material or filler metal. An example of an adden-

dum would be a change resulting from a Code change. For example, Section IX may assign a new F-Number to a filler material or adopt a new filler material under an established F-Number. This may permit, depending on the particular construction Code requirements, a manufacturer or contractor to use other filler metals that fall within that particular F-Number where, prior to the Code revision, the manufacturer or contractor was limited to the particular electrode classification that was used during qualification. Additional information can be incorporated into a PQR at a later date provided the information is substantiated as having been part of the original qualification condition by lab record or similar data.

All changes to a PQR require recertification (including date) by the manufacturer or contractor.

(d) *Format of the PQR.* Form QB-483 (see Nonmandatory Appendix B) has been provided as a guide for the PQR. The information required to be in the PQR may be in any format, to fit the needs of each manufacturer or contractor, as long as every essential variable, required by QB-250, is included. Also the type of tests, number of tests, and test results shall be listed in the PQR. Additional sketches or information may be attached or referenced to record the required variables.

(e) *Availability of the PQR.* PQRs used to support BPSs shall be available, upon request, for review by the Authorized Inspector (AI). The PQR need not be available to the brazer or brazing operator.

(f) *Multiple BPSs With One PQR/Multiple PQRs With One BPS.* Several BPSs may be prepared from the data on a single PQR (e.g., a vertical-upflow pipe PQR may support BPSs for the vertical-upflow and downflow positions on pipe within all other essential variables). A single BPS may cover several essential variable changes as long as a supporting PQR exists for each essential variable.

QB-200.3 To reduce the number of brazing procedure qualifications required, P-Numbers are assigned to base metals dependent on characteristics such as composition, brazability, and mechanical properties, where this can logically be done, and for ferrous and nonferrous metals.

The assignments do not imply that base metals may be indiscriminately substituted for a base metal which was used in the qualification test without consideration of the compatibility from the standpoint of metallurgical properties, postbrazing heat treatment, design, mechanical properties, and service requirements. For certain materials permitted by the ASME/ANSI B31 Code for Pressure Piping or by selected Code Cases of the ASME Boiler and Pressure Vessel Code, S-Number groupings are assigned. These groupings are similar to the P-

Number groupings of QW/QB-422. Qualification limits are given in QW-420.2.

QB-200.4 Dissimilar Base Metal Thicknesses. A BPS qualified on test coupons of equal thickness shall be applicable for production brazements between dissimilar base metal thicknesses provided the thickness of both base metals are within the qualified thickness range permitted by QB-451. A BPS qualified on test coupons of different thicknesses shall be applicable for production brazements between dissimilar base metal thicknesses provided the thickness of each base metal is within the qualified range of thickness (based on each test coupon thickness) permitted by QB-451.

QB-201 Manufacturer's or Contractor's Responsibility

Each manufacturer or contractor shall list the parameters applicable to brazing that he performs in construction of brazements built in accordance with this Code. These parameters shall be listed in a document known as a Brazing Procedure Specification (BPS).

Each manufacturer or contractor shall qualify the BPS by the brazing of test coupons and the testing of specimens (as required in this Code), and the recording of the brazing data and test results in a document known as a Procedure Qualification Record (PQR). The brazers or brazing operators used to produce brazements to be tested for qualification of procedures shall be under the full supervision and control of the manufacturer or contractor during the production of these test brazements. It is not permissible for the manufacturer or contractor to have the brazing of the test brazements performed by another organization. It is permissible, however, to subcontract any or all of the work of preparation of test metal for brazing and subsequent work on preparation of test specimens from the completed brazement, performance of nondestructive examination, and mechanical tests, provided the manufacturer or contractor accepts the responsibility for any such work.

The Code recognizes a manufacturer or contractor as the organization which has responsible operational control of the production of the brazements to be made in accordance with this Code. If in an organization effective operational control of brazing procedure qualification for two or more companies of different names exists, the companies involved shall describe in their Quality Control system/Quality Assurance Program, the operational control of procedure qualifications. In this case separate brazing procedure qualifications are not

required, provided all other requirements of Section IX are met.

A BPS may require the support of more than one PQR, while alternatively, one PQR may support a number of BPSs.

The manufacturer or contractor shall certify that he has qualified each Brazing Procedure Specification, performed the procedure qualification test, and documented it with the necessary Procedure Qualification Record (PQR).

QB-201.1 The Code recognizes that manufacturers or contractors may maintain effective operational control of PQRs and BPSs under different ownership than existed during the original procedure qualification. When a manufacturer or contractor or part of a manufacturer or contractor is acquired by a new owner(s), the PQRs and BPSs may be used by the new owner(s) without requalification provided all of the following are met:

(a) the new owner(s) takes responsibility for the BPSs and PQRs;

(b) the BPSs reflect the name of the new owner(s);

(c) the Quality Control System/Quality Assurance Program reflects the source of the PQRs as being from the former manufacturer or contractor.

QB-202 Type of Tests Required

QB-202.1 Tests. The type and number of test specimens which shall be tested to qualify a brazing procedure are given in QB-451, and shall be removed in a manner similar to that shown in QB-463. If any test specimen required by QB-451 fails to meet the applicable acceptance criteria, the test coupon shall be considered as failed, and a new test coupon shall be brazed.

QB-202.2 Base Metals. The procedure qualification shall encompass the thickness ranges to be used in production for the base metals to be joined or repaired. The range of thickness qualified is given in QB-451.

QB-203 Limits of Qualified Flow Positions for Procedures (See QB-461)

QB-203.1 For plate, qualification in the flat-flow, vertical-upflow, or horizontal-flow position shall qualify for the vertical-downflow position. For pipe, qualification in the horizontal-flow or vertical-upflow position shall qualify for the vertical-downflow position.

Qualification in pipe shall qualify for plate, but not vice versa. Horizontal-flow in pipe shall also qualify for flat-flow in plate.

QB-203.2 Special Flow Positions. A fabricator who does production brazing in a special orientation may make the tests for procedure qualification in this specific orientation. Such qualifications are valid only for the flow positions actually tested, except that an angular deviation of ± 15 deg is permitted in the inclination of the braze plane, as defined in QB-461.

QB-203.3 The brazing process must be compatible, and the brazing filler metals, such as defined in the specifications of Section II, Part C, must be suitable for their use in specific flow positions. A brazer or brazing operator making and passing the BPS qualification test is thereby qualified for the flow position tested (see QB-301.2).

QB-210 PREPARATION OF TEST COUPON

QB-211 Base Metal and Filler Metal

The base metals and filler metals shall be one or more of those listed in the BPS. The dimensions of the test assembly shall be sufficient to provide the required test specimens.

The base metals may consist of either plate, pipe, or other product forms. Qualification in pipe also qualifies for plate brazing, but not vice versa.

QB-212 Type and Dimension of Joints

The test coupon shall be brazed using a type of joint design proposed in the BPS for use in construction.

QB-250 BRAZING VARIABLES

QB-251 General

QB-251.1 Types of Variables for Brazing Procedure Specification (BPS). Brazing variables (listed for each brazing process in QB-252 through QB-257) are subdivided into essential and nonessential variables (QB-401).

QB-251.2 Essential Variables. Essential variables are those in which a change, as described in the specific variables, is considered to affect the mechanical properties of the brazement, and shall require requalification of the BPS.

QB-251.3 Nonessential Variables. Nonessential variables are those in which a change, as described in the specific variables, may be made in the BPS without requalification.

QB-252
TORCH BRAZING (TB)

	252.1 Essential Variables	252.2 Nonessential Variables
QB-402 Base Metal	QB-402.1	...
	QB-402.3	...
QB-403 Brazing Filler Metal	QB-403.1	...
	QB-403.2	...
QB-406 Brazing Flux, Gas, or Atmosphere	QB-406.1	QB-406.3
QB-407 Flow Position	QB-407.1	...
QB-408 Joint Design	QB-408.2	...
	QB-408.4	...
QB-409 Postbrazing Heat Treatment	QB-409.1	...
	QB-409.2	...
	QB-409.3	...
QB-410 Technique	...	QB-410.1
	...	QB-410.2
	...	QB-410.3
	...	QB-410.4
	...	QB-410.5

QB-253
FURNACE BRAZING (FB)

	253.1 Essential Variables	253.2 Nonessential Variables
QB-402 Base Metal	QB-402.1	...
	QB-402.3	...
QB-403 Brazing Filler Metal	QB-403.1	...
	QB-403.2	...
QB-404 Brazing Temperature	QB-404.1	...
QB-406 Brazing Flux, Gas, or Atmosphere	QB-406.1	...
	QB-406.2	...
QB-407 Flow Position	QB-407.1	...
QB-408 Joint Design	QB-408.2	...
	QB-408.4	...
QB-409 Postbrazing Heat Treatment	QB-409.1	...
	QB-409.2	...
	QB-409.3	...
QB-410 Technique	...	QB-410.1
	...	QB-410.2

QB-254
INDUCTION BRAZING (IB)

	254.1 Essential Variables	254.2 Nonessential Variables
QB-402 Base Metal	QB-402.1 QB-402.3	...
QB-403 Brazing Filler Metal	QB-403.1 QB-403.2	...
QB-404 Brazing Temperature	QB-404.1	...
QB-406 Brazing Flux, Gas, or Atmosphere	QB-406.1	...
QB-407 Flow Position	QB-407.1	...
QB-408 Joint Design	QB-408.2 QB-408.4	...
QB-409 Postbrazing Heat Treatment	QB-409.1 QB-409.2 QB-409.3	...
QB-410 Technique	...	QB-410.1 QB-410.2

QB-255
RESISTANCE BRAZING (RB)

	255.1 Essential Variables	255.2 Nonessential Variables
QB-402 Base Metal	QB-402.1 QB-402.3	...
QB-403 Brazing Filler Metal	QB-403.1 QB-403.2	...
QB-404 Brazing Temperature	QB-404.1	...
QB-406 Brazing Flux, Gas, or Atmosphere	QB-406.1	...
QB-407 Flow Position	QB-407.1	...
QB-408 Joint Design	QB-408.2 QB-408.4	...
QB-409 Postbrazing Heat Treatment	QB-409.1 QB-409.2 QB-409.3	...
QB-410 Technique	...	QB-410.1 QB-410.2

QB-256
DIP BRAZING — SALT OR FLUX BATH (DB)

	256.1 Essential Variables	256.2 Nonessential Variables
QB-402 Base Metal	QB-402.1 QB-402.3	...
QB-403 Brazing Filler Metal	QB-403.1 QB-403.2	...
QB-404 Brazing Temperature	QB-404.1	...
QB-406 Brazing Flux, Gas, or Atmosphere	QB-406.1	...
QB-407 Flow Position	QB-407.1	...
QB-408 Joint Design	QB-408.2 QB-408.4	...
QB-409 Postbrazing Heat Treatment	QB-409.1 QB-409.2 QB-409.3	...
QB-410 Technique	...	QB-410.1 QB-410.2

QB-257
DIP BRAZING — MOLTEN METAL BATH (DB)

	257.1 Essential Variables	257.2 Nonessential Variables
QB-402 Base Metal	QB-402.1	...
	QB-402.3	...
QB-403 Brazing Filler Metal	QB-403.1	...
	QB-403.2	...
QB-404 Brazing Temperature	QB-404.1	...
QB-406 Brazing Flux, Gas, or Atmosphere	QB-406.1	...
QB-407 Flow Position	QB-407.1	...
QB-408 Joint Design	QB-408.2	...
	QB-408.4	...
QB-409 Postbrazing Heat Treatment	QB-409.1	...
	QB-409.2	...
	QB-409.3	...
QB-410 Technique	...	QB-410.1
	...	QB-410.2

ARTICLE XIII

BRAZING PERFORMANCE QUALIFICATIONS

QB-300 GENERAL

QB-300.1 This Article lists the brazing processes separately, with the essential variables which apply to brazer and brazing operator performance qualifications.

The brazer qualification is limited by the essential variables given for each brazing process. These variables are listed in QB-350, and are defined in Article XIV, Brazing Data. The brazing operator qualification is limited by the essential variables given in QB-350 for each brazing process.

QB-300.2 The basic premises of responsibility in regard to brazing are contained within QB-103 and QB-301.2. These paragraphs require that each manufacturer or contractor shall be responsible for conducting tests to qualify the performance of brazers and brazing operators in accordance with one of his qualified Brazing Procedure Specifications, which his organization employs in the construction of brazements built in accordance with the Code. The purpose of this requirement is to ensure that the manufacturer or contractor has determined that his brazers and brazing operators using his procedures are capable of developing the minimum requirements specified for an acceptable brazement. This responsibility cannot be delegated to another organization.

The brazers or brazing operators used to produce such brazements shall be tested under the full supervision and control of the manufacturer or contractor during the production of these test brazements. It is not permissible for the manufacturer or contractor to have the brazing performed by another organization. It is permissible, however, to subcontract any or all of the work of preparation of test materials for brazing, subsequent work on the preparation of test specimens from the completed brazement, and performance of nondestructive examination and mechanical tests, provided the manufacturer or contractor accepts full responsibility for any such work.

The Code recognizes a manufacturer or contractor as the organization which has responsible operational control of the production of the brazement to be made

in accordance with this Code. If in an organization effective operational control of the brazer performance qualification for two or more companies of different names exists, the companies involved must establish, to the satisfaction of the ASME Boiler and Pressure Vessel Committee, that the necessary controls are applied, in which case requalification of brazers and brazing operators within the companies of such an organization will not be required, provided all other requirements of Section IX are met.

QB-300.3 More than one manufacturer or contractor may simultaneously qualify one or more brazers or brazing operators. When simultaneous qualifications are conducted, each participating organization shall be represented by a responsible employee during brazing of the test coupons.

The brazing procedure specifications (BPS) which are followed during simultaneous qualifications shall be compared by the participating organizations. The qualified thickness ranges for base metal and deposited braze metal need not be identical, but these thicknesses shall be adequate to permit brazing of the test coupons. Alternatively, the participating organizations shall agree upon the use of a single BPS provided each participating organization has a PQR(s) to support the BPS covering the range of variables to be followed in the performance qualification. When a single BPS is to be followed, each participating organization shall review and accept that BPS.

Each participating organization's representative shall positively identify each brazer or brazing operator who is being tested. Each organizational representative shall also verify marking of the test coupon with the brazer's or brazing operator's identification, and marking of the top of the test coupon when the orientation must be known in order to remove test specimens.

Each organizational representative shall complete and sign a Record of Brazer or Brazing Operator Qualification (Form QB-484 or equivalent) for each brazer or brazing operator.

When a brazer or brazing operator changes employers, that new participating organization shall verify that the

brazer's continuity of qualifications has been maintained as required by QB-322 by previous employers since his qualification date. If the brazer or brazing operator has had his qualification withdrawn for specific reasons, the employing organization shall notify all participating organizations that the brazer's or brazing operator's qualification(s) has been revoked in accordance with QB-322(b). The new organization shall determine that the brazer or brazing operator can perform satisfactory work in accordance with this Section.

When a brazer's or brazing operator's qualifications are renewed in accordance with the provisions of QB-322, each renewing organization shall be represented by a responsible employee and the testing procedures shall follow the rules of this paragraph.

QB-301 Tests

QB-301.1 Intent of Tests. The performance qualification tests are intended to determine the ability of brazers and brazing operators to make sound braze joints.

QB-301.2 Qualification Tests. Each manufacturer or contractor shall qualify each brazer or brazing operator for each brazing process to be used in production brazing. The performance qualification test shall be brazed in accordance with one of any of his qualified Brazing Procedure Specifications (BPS).

The brazer or brazing operator who prepares the BPS qualification test coupons is also qualified within the limits of the performance qualifications, listed in QB-304 for brazers and in QB-305 for brazing operators. He is qualified only for the positions tested in the procedure qualification in accordance with QB-407.

The performance test may be terminated at any stage of the testing procedure, whenever it becomes apparent to the supervisor conducting the tests that the brazer or brazing operator does not have the required skill to produce satisfactory results.

QB-301.3 Identification of Brazers and Brazing Operators. Each qualified brazer and brazing operator shall be assigned an identifying number, letter, or symbol by the manufacturer or contractor, which shall be used to identify the work of that brazer or brazing operator.

QB-301.4 Record of Tests. The record of Brazer or Brazing Operator Performance Qualification (BPQ) tests shall include the essential variables (QB-350), the type of tests and the test results, and the ranges qualified in accordance with QB-452 for each brazer and brazing

operator. A suggested form for these records is given in Form QB-484 (see Nonmandatory Appendix B).

QB-302 Type of Test Required

QB-302.1 Test Specimens. The type and number of test specimens required shall be in accordance with QB-452, and shall be removed in a manner similar to that shown in QB-463.

All test specimens shall meet the requirements prescribed in QB-170 or QB-180, as applicable. Tests for brazing operators shall meet the requirements of QB-305.

QB-302.2 Test Coupons in Pipe. For test coupons made in pipe, specimens shall be removed as shown in QB-463.2(c) at approximately 180 deg apart.

QB-302.3 Combination of Base Metal Thicknesses. When joints are brazed between two base metals of different thicknesses, a performance qualification shall be made for the applicable combination of thicknesses, even though qualification tests have been made for each of the individual base metals brazed to itself. The range of thickness of each of the base metals shall be determined individually per QB-452.

QB-303 Limits of Qualified Positions (See QB-461)

QB-303.1 For plate, qualification in the flat-flow, vertical-upflow, or horizontal-flow positions shall qualify for the vertical-downflow position.

QB-303.2 For pipe, qualification in either the horizontal-flow or vertical-upflow position shall qualify for the vertical-downflow position.

QB-303.3 Qualification in pipe shall qualify for plate, but not vice versa. Horizontal-flow in pipe shall qualify for flat-flow in plate.

QB-303.4 Special Positions. A fabricator who does production brazing in a special orientation may make the tests for performance qualification in this specific orientation. Such qualifications are valid only for the flow positions actually tested, except that an angular deviation of ± 15 deg is permitted in the inclination of the braze plane, as defined in QB-461.

QB-304 Brazers

Each brazer who brazes under the rules of this Code shall have passed the tests prescribed in QB-302 for performance qualifications.

A brazer qualified to braze in accordance with one qualified BPS is also qualified to braze in accordance with other qualified BPSs, using the same brazing process, within the limits of the essential variables of QB-350.

QB-305 Brazing Operators

The brazing operator who prepares brazing procedure qualification test specimens meeting requirements of QB-451 is thereby qualified. Alternatively, each brazing operator who brazes on vessels constructed under the rules of this Code shall be examined for each brazing procedure under which he does brazing by semiautomatic or automatic processes (such as the resistance, induction, or furnace processes) as follows.

(a) A typical joint or workmanship coupon embodying the requirements of a qualified brazing procedure shall be brazed and sectioned. Typical joints are shown in QB-462.5.

(b) In order to ensure that the operator can carry out the provisions of the brazing procedure, the test sections required in (a) shall meet the requirements of QB-452.

QB-310 QUALIFICATION TEST COUPONS

QB-310.1 Test Coupons. The test coupons may be plate, pipe, or other product forms. The dimensions of the test coupon and length of braze shall be sufficient to provide the required test specimens.

QB-310.2 Braze Joint. The dimensions of the braze joint at the test coupon used in making qualification tests shall be the same as those in the Brazing Procedure Specification (BPS).

QB-310.3 Base Metals. When a brazer or brazing operator is to be qualified, the test coupon shall be base metal of the P-Number or P-Numbers to be joined in production brazing.

QB-320 RETESTS AND RENEWAL OF QUALIFICATION

QB-321 Retests

A brazer or brazing operator who fails to meet the requirements for one or more of the test specimens prescribed in QB-452 may be retested under the following conditions.

QB-321.1 Immediate Retest. When an immediate retest is made, the brazer or brazing operator shall make two consecutive test coupons for each position which he has failed, all of which shall pass the test requirements.

QB-321.2 Further Training. When the brazer or brazing operator has had further training or practice, a complete retest shall be made for each position on which he failed to meet the requirements.

QB-322 Renewal of Qualification

Renewal of qualification of a performance qualification is required:

(a) when a brazer or brazing operator has not used the specific brazing process for a period of 6 months or more; or

(b) when there is a specific reason to question his ability to make brazes that meet the specification. Renewal of qualification for a specific brazing process under (a) may be made with specific brazing process by making only one test joint (plate or pipe) with all the essential variables used on any one of the brazer's or brazing operator's previous qualification test joints. This will reestablish the brazer's or brazing operator's qualification for all conditions for which he had previously qualified with the specific brazing process.

QB-350 BRAZING VARIABLES FOR BRAZERS AND BRAZING OPERATORS

QB-351 General

A brazer or brazing operator shall be requalified whenever a change is made in one or more of the essential variables for each brazing process, as follows:

- (a) Torch Blazing (TB)
- (b) Furnace Brazing (FB)
- (c) Induction Brazing (IB)
- (d) Resistance Brazing (RB)
- (e) Dip Brazing (DB)

QB-351.1 Essential Variables — Manual, Semiautomatic, and Machine Brazing

QB-402 Base Metal

QB-402.2

QB-402.3

QB-403 Brazing Filler Metal

QB-403.1

QB-403.2

QB-351.1

2001 SECTION IX

QB-351.2

QB-407 Flow Position
QB-407.1

QB-408 Joint Design
QB-408.1
QB-408.3

QB-410 Technique
QB-410.5

QB-351.2 Essential Variables — Automatic

- (a) A change from automatic to machine brazing.
- (b) A change in brazing process.

ARTICLE XIV

BRAZING DATA

QB-400 VARIABLES

QB-401 General

QB-401.1 Each brazing variable described in this Article is applicable as an essential or nonessential variable for procedure qualification when referenced in QB-250 for each specific process. Essential variables for performance qualification are referenced in QB-350 for each specific brazing process. A change from one brazing process to another brazing process is an essential variable and requires requalification.

QB-402 Base Metal

01 QB-402.1 A change from a base metal listed under one P-Number in QW/QB-422 to any of the following:

- (a) a metal listed under another P-Number;
- (b) any other base metal not listed in QW/QB-422;
- (c) as permitted in QW-420.2 (for S-Numbers).

The brazing of dissimilar metals need not be requalified if each base metal involved is qualified individually for the same brazing filler metal, flux, atmosphere, and process. Similarly, the brazing of dissimilar metals qualifies for the individual base metal brazed to itself and for the same brazing filler metal, flux, atmosphere, and process, provided the requirements of QB-153.1(a) are met.

01 QB-402.2 A change from a base metal listed under one P-Number in QW/QB-422 to any of the following:

- (a) a metal listed under another P-Number;
- (b) any other metal not listed in QW/QB-422;
- (c) as permitted in QW-420.2 (for S-Numbers).

The brazing of dissimilar metals need not be requalified if each base metal involved is qualified individually for the same brazing filler metal, flux, atmosphere, and process. Similarly, the brazing of dissimilar metals qualifies for the individual base metal brazed to itself and for the same brazing filler metal, flux, atmosphere, and process.

QB-402.3 A change in base metal thickness beyond the range qualified in QB-451.

QB-403 Brazing Filler Metal

QB-403.1 A change from one F-Number in QB-432 to any other F-Number, or to any other filler metal not listed in QB-432.

QB-403.2 A change in filler metal from one product form to another (for example, from preformed ring to paste).

QB-404 Brazing Temperature

QB-404.1 A change in brazing temperature to a value outside the range specified in the BPS.

QB-406 Brazing Flux, Fuel Gas, or Atmosphere

QB-406.1 The addition or deletion of brazing flux or a change in AWS classification of the flux. Nominal chemical composition or the trade name of the flux may be used as an alternative to the AWS classification. **01**

QB-406.2 A change in the furnace atmosphere from one basic type to another type. For example:

- (a) reducing to inert
- (b) carburizing to decarburizing
- (c) hydrogen to disassociated ammonia

QB-406.3 A change in the type of fuel gas(es).

QB-407 Flow Position

QB-407.1 The addition of other brazing positions than those already qualified (see QB-120 through QB-124, QB-203 for procedure, and QB-303 for performance).

(a) If the brazing filler metal is preplaced or faced from outside the joint, then requalification is required in accordance with the positions defined in QB-461 under the conditions of QB-120 through QB-124.

(b) If the brazing filler metal is preplaced in a joint in a manner that major flow does occur, then requalification is required in accordance with the posi-

tions defined in QB-461 under the conditions of QB-120 through QB-124.

(c) If the brazing filler metal is preplaced in a joint so that there is no major flow, then the joint may be brazed in any position without requalification.

QB-408 Joint Design

QB-408.1 A change in the joint type, i.e., from a butt to a lap or socket, from that qualified. For lap or socket joints, an increase in lap length of more than 25% from the overlap used on the brazer performance qualification test coupon.

QB-408.2 A change in the joint clearances to a value outside the range specified in the BPS and as recorded in the PQR.

QB-408.3 A change in the joint clearances to a value outside the range specified in the BPS.

QB-408.4 A change in the joint type, e.g., from a butt to a lap or socket, from that qualified. For lap and socket joints, a decrease in overlap length from that qualified.

QB-409 Postbrazing Heat Treatment

QB-409.1 A separate procedure qualification is required for each of the following conditions.

(a) For P-No. 101 and P-No. 102 materials, the following postbrazing heat treatment conditions apply:

- (1) no postbrazing heat treatment;
- (2) postbrazing heat treatment below the lower transformation temperature;
- (3) postbrazing heat treatment above the upper transformation temperature (e.g., normalizing);
- (4) postbrazing heat treatment above the upper transformation temperature followed by heat treatment below

the lower transformation temperature (e.g., normalizing or quenching followed by tempering);

(5) postbrazing heat treatment between the upper and lower transformation temperatures.

(b) For all other materials, the following post weld heat treatment conditions apply:

- (1) no postbrazing heat treatment;
- (2) postbrazing heat treatment within a specified temperature range.

QB-409.2 A change in the postbrazing heat treatment (see QB-409.1) temperature and time range requires a PQR.

The procedure qualification test shall be subjected to postbrazing heat treatment essentially equivalent to that encountered in the fabrication of production brazements, including at least 80% of the aggregate time at temperature(s). The postbrazing heat treatment total time(s) at temperature(s) may be applied in one heating cycle.

QB-409.3 For a procedure qualification test coupon receiving a postbrazing heat treatment in which the upper transformation temperature is exceeded, the maximum qualified thickness for production brazements is 1.1 times the thickness of the test coupon.

QB-410 Technique

QB-410.1 A change in the method of preparing the base metal, i.e., method of precleaning the joints (for example, from chemical cleaning to cleaning by abrasive or mechanical means).

QB-410.2 A change in the method of postbrazing cleaning (for example, from chemical cleaning to cleaning by wire brushing or wiping with a wet rag).

QB-410.3 A change in the nature of the flame (for example, a change from neutral or slightly reducing).

QB-410.4 A change in the brazing tip sizes.

QB-410.5 A change from manual to mechanical torch brazing and vice versa.

QB-420 P-NUMBERS

(See Part QW, Welding — QW-420)

QB-430 F-NUMBERS**QB-431 General**

The following F-Number grouping of brazing filler metals in QB-432 is based essentially on their usability characteristics, which fundamentally determine the abil-

ity of brazers and brazing operators to make satisfactory brazements with a given filler metal. This grouping is made to reduce the number of brazing procedure and performance qualifications, where this can logically be done. The grouping does not imply that filler metals within a group may be indiscriminately substituted for a filler metal which was used in the qualification test without consideration of the compatibility from the standpoint of metallurgical properties, design, mechanical properties, postbrazing heat treatment, and service requirements.

QB-432
F-NUMBERS
Grouping of Brazing Filler Metals for Procedure and Performance Qualification SFA-5.8

QB	F-No.	AWS Classification No.		
432.1	101	BAg-1		
		BAg-1a		
		BAg-8		
		BAg-8a		
		BAg-22		
		BAg-23		
		BVAg-0		
		BVAg-8		
		BVAg-8b		
		BVAg-30		
		432.2	102	BAg-2
				BAg-2a
				BAg-3
BAg-4				
BAg-5				
BAg-6				
BAg-7				
BAg-9				
BAg-10				
BAg-13				
BAg-13a				
BAg-18				
BAg-19				
BAg-20				
BAg-21				
BAg-24				
BAg-26				
BAg-27				
BAg-28				
BAg-33				
BAg-34				
BVAg-6b				
BVAg-18				
BVAg-29				
BVAg-31				
BVAg-32				

(QB-432 continues on next page)

QB-432

F-NUMBERS (CONT'D)

Grouping of Brazing Filler Metals for Procedure and Performance Qualification SFA-5.8

QB	F-No.	AWS Classification No.
432.3	103	BCuP-1 BCuP-2 BCuP-3 BCuP-4 BCuP-5 BCuP-6 BCuP-7
432.4	104	BAISi-2 BAISi-3 BAISi-4 BAISi-5 BAISi-7 BAISi-9 BAISi-11
432.5	105	BCu-1 BVCu-1x BCu-1a BCu-2
432.6	106	RBCuZn-A RBCuZn-B RBCuZn-C RBCuZn-D
432.7	107	BNi-1 BNi-1a BNi-2 BNi-3 BNi-4 BNi-5 BNi-5a BNi-6 BNi-7 BNi-8 BNi-9 BNi-10 BNi-11
432.8	108	BAu-1 BAu-2 BAu-3 BAu-4 BAu-5 BAu-6 BVAu-2 BVAu-4 BVAu-7 BVAu-8
432.9	109	BMg-1
432.10	110	BCo-1
432.11	111	BVPd-1

QB-450 SPECIMENS

QB-451 Procedure Qualification Specimens

QB-451.1

TENSION TESTS AND TRANSVERSE-BEND TESTS — BUTT AND SCARF JOINTS

Thickness <i>T</i> of Test Coupon as Brazed, in. (mm)	Range of Thickness of Materials Qualified by Test Plate or Pipe, in. (mm)		Type and Number of Test Specimens Required		
	Min.	Max.	Tension, QB-462.1	First Surface Bend, QB-462.2(a)	Second Surface Bend, QB-462.2(a)
Less than $\frac{1}{8}$ (3.2)	$0.5T$	$2T$	2	2	2
$\frac{1}{8}$ to $\frac{3}{8}$ (3.2 to 10), incl.	$\frac{1}{16}$ (1.6)	$2T$	2	2	2
Over $\frac{3}{8}$ (10)	$\frac{3}{16}$ (4.8)	$2T$	2 [Note (1)]	2	2

NOTE:

(1) See QB-151 for details on multiple specimens when coupon thicknesses are over 1 in. (25 mm).

QB-451.2

TENSION TESTS AND LONGITUDINAL BEND TESTS — BUTT AND SCARF JOINTS

Thickness <i>T</i> of Test Coupon as Brazed, in. (mm)	Range of Thickness of Materials Qualified by Test Plate or Pipe, in. (mm)		Type and Number of Test Specimens Required		
	Min.	Max.	Tension, QB-462.1	First Surface Bend, QB-462.2(b)	Second Surface Bend, QB-462.2(b)
Less than $\frac{1}{8}$ (3.2)	$0.5T$	$2T$	2	2	2
$\frac{1}{8}$ to $\frac{3}{8}$ (3.2 to 10), incl.	$\frac{1}{16}$ (1.6)	$2T$	2	2	2
Over $\frac{3}{8}$ (10)	$\frac{3}{16}$ (4.8)	$2T$	2 [Note (1)]	2	2

NOTE:

(1) See QB-151 for details on multiple specimens when coupon thicknesses are over 1 in. (25 mm).

QB-451.3

TENSION TESTS AND PEEL TESTS — LAP JOINTS

Thickness <i>T</i> of Test Coupon as Brazed, in. (mm)	Range of Thickness of Materials Qualified by Test Plate or Pipe, in. (mm)		Type and Number of Test Specimens Required	
	Min.	Max.	Tension, QB-462.1	Peel QB-462.3 [Notes (1) and (2)]
Less than $\frac{1}{8}$ (3.2)	$0.5T$	$2T$	2	2
$\frac{1}{8}$ to $\frac{3}{8}$ (3.2 to 10), incl.	$\frac{1}{16}$ (1.6)	$2T$	2	2
Over $\frac{3}{8}$ (10)	$\frac{3}{16}$ (4.8)	$2T$	2	2

NOTES:

(1) For a joint brazed with a filler metal having a tensile strength equal to or greater than that of the metal being joined, the specimens shall be sectioned as shown in QB-462.4.

(2) The overlap length must be equal to or greater than the overlap length of the Tension Test specimen.

QB-451.4
TENSION TESTS AND SECTION TESTS — RABBET JOINTS

Thickness T of Test Coupon as Brazed, in. (mm)	Range of Thickness of Materials Qualified by Test Plate or Pipe, in. (mm)		Type and Number of Test Specimens Required	
	Min.	Max.	Tension, QB-462. 1	Section, QB-462. 4
Less than $\frac{1}{8}$ (3.2)	$0.5T$	$2T$	2	2
$\frac{1}{8}$ to $\frac{3}{8}$ (3.2 to 10), incl.	$\frac{1}{16}$ (1.6)	$2T$	2	2
Over $\frac{3}{8}$ (10)	$\frac{3}{16}$ (4.8)	$2T$	2	2

QB-451.5
SECTION TESTS — WORKMANSHIP COUPON JOINTS

Thickness T of Test Coupon as Brazed, in. (mm)	Range of Thickness of Materials Qualified by Test Plate or Pipe, in. (mm)		Type and Number of Test Specimens Required
	Min.	Max.	Section, QB-462.5 [Note (1)]
Less than $\frac{1}{8}$ (3.2)	$0.5T$	$2T$	2
$\frac{1}{8}$ to $\frac{3}{8}$ (3.2 to 10), incl.	$\frac{1}{16}$ (1.6)	$2T$	2
Over $\frac{3}{8}$ (10)	$\frac{3}{16}$ (4.8)	$2T$	2

NOTE:

- (1) This test in itself does not constitute procedure qualification but must be validated by conductance of tests of butt or lap joints as appropriate. For joints connecting tension members, such as the stay or partition type in QB-462.5, the validation data may be based upon butt joints; for joints connecting members in shear, such as saddle or spud joints, the validation data may be based on lap joints.

QB-452.1
PEEL OR SECTION TESTS — BUTT, SCARF, LAP, RABBET JOINTS

Thickness T of Test Coupon as Brazed, in. (mm)	Range of Thickness of Materials Qualified by Test Plate or Pipe, in. (mm)		Type and Number of Test Specimens Required
	Min.	Max.	Peel, QB-462.3 [Note (1)]
Less than $\frac{1}{8}$ (3.2)	$0.5T$	$2T$	2
$\frac{1}{8}$ to $\frac{3}{8}$ (3.2 to 10), incl.	$\frac{1}{16}$ (1.6)	$2T$	2
Over $\frac{3}{8}$ (10)	$\frac{3}{16}$ (4.8)	$2T$	2

NOTE:

(1) For a joint brazed with a filler metal having a tensile strength equal to or greater than that of the metal being joined, the specimens shall be sectioned as shown in QB-462.4.

QB-452.2
SECTION TESTS — WORKMANSHIP SPECIMEN JOINTS

Thickness T of Test Coupon as Brazed, in. (mm)	Range of Thickness of Materials Qualified by Test Plate or Pipe, in. (mm)		Type and Number of Test Specimens Required
	Min.	Max.	Section, QB-462.5
Less than $\frac{1}{8}$ (3.2)	$0.5T$	$2T$	1
$\frac{1}{8}$ to $\frac{3}{8}$ (3.2 to 10), incl.	$\frac{1}{16}$ (1.6)	$2T$	1
Over $\frac{3}{8}$ (10)	$\frac{3}{16}$ (4.8)	$2T$	1

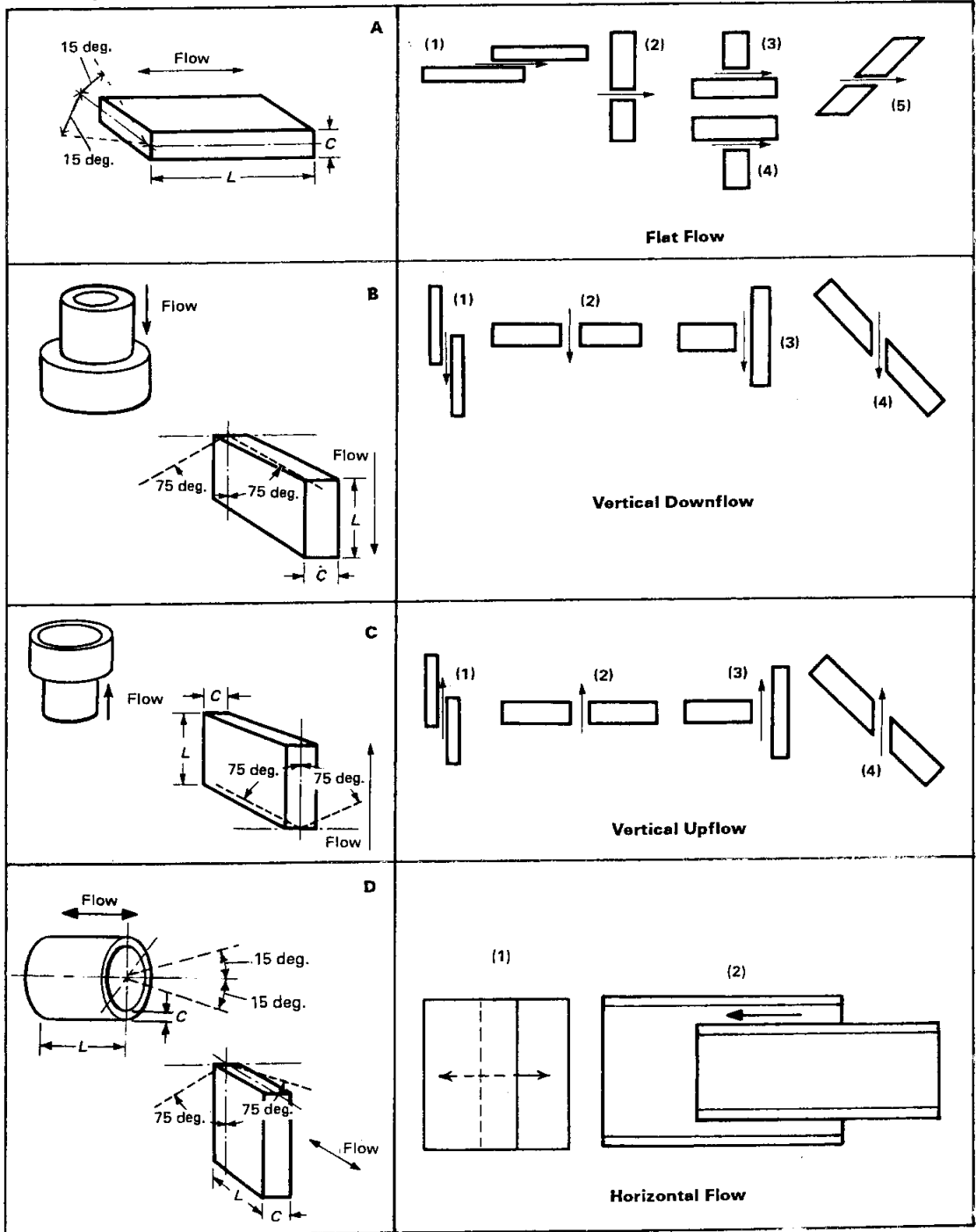
QB-460

GRAPHICS

Flow of filler metal through joint

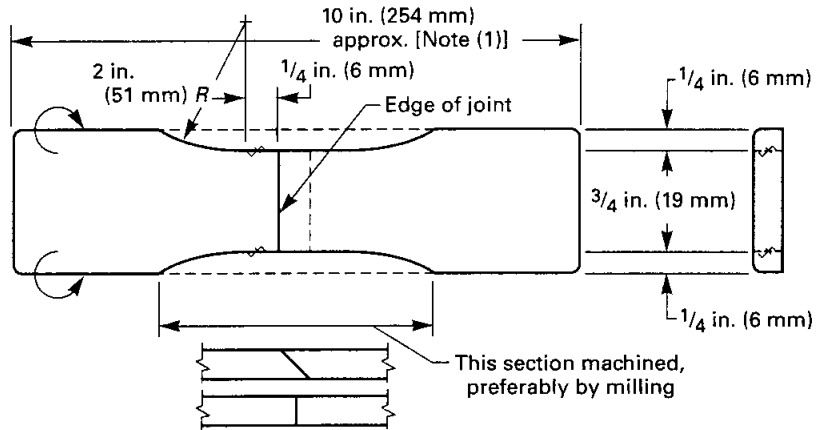
C = joint clearance (thickness)

L = length of lap or thickness



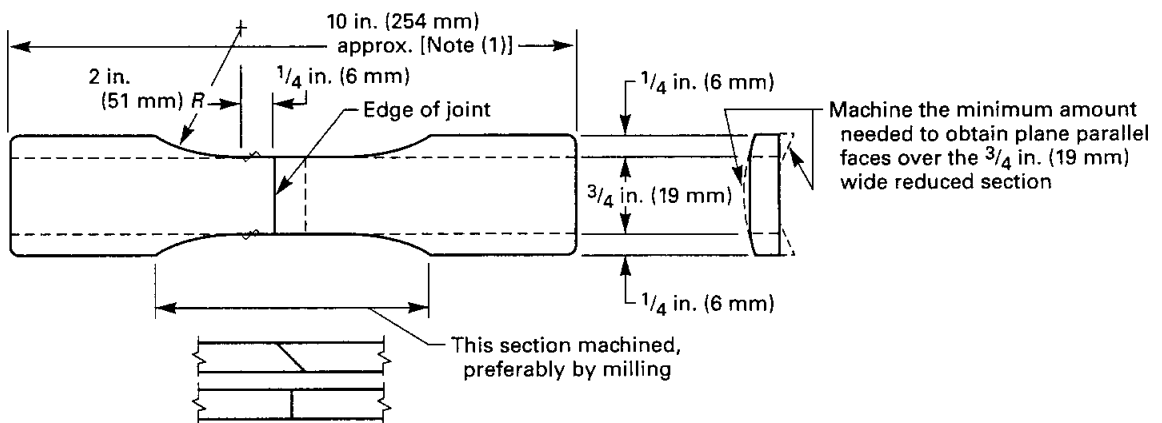
Typical Brazed Joints Showing Flow of Filler Metal

QB-461 TEST FLOW POSITIONS



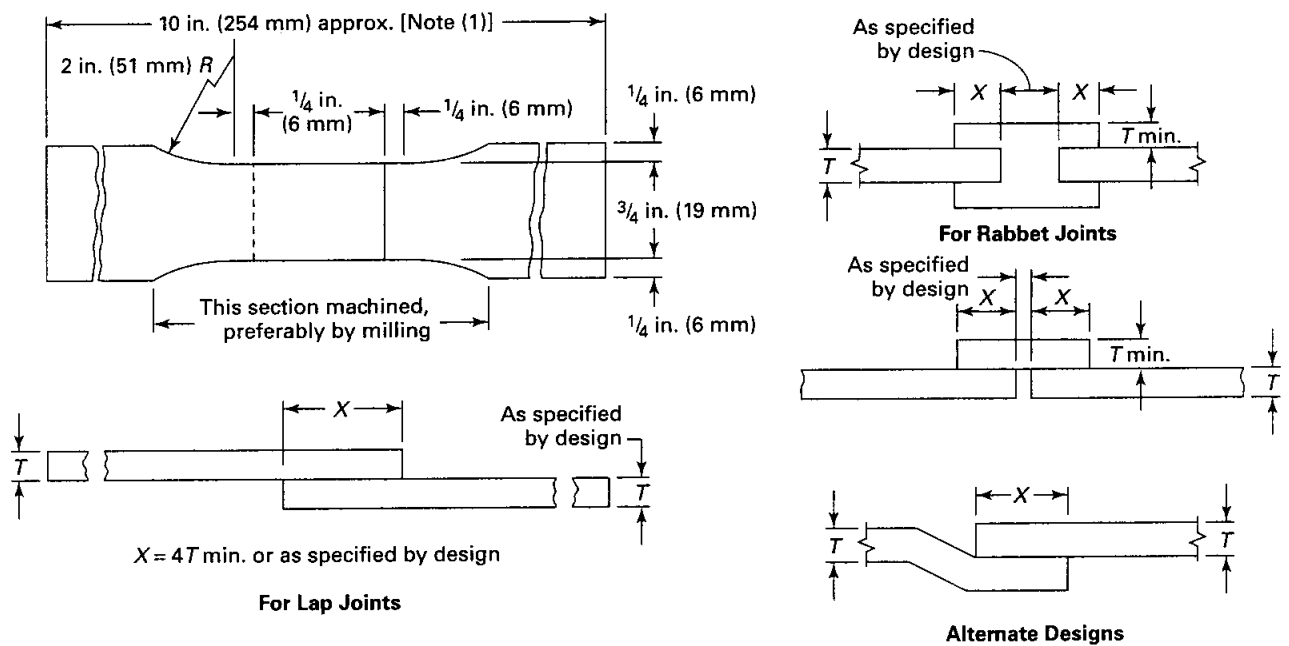
NOTE:
 (1) Length may vary to fit testing machine.

QB-462.1(a) TENSION-REDUCED SECTION FOR BUTT AND SCARF JOINTS — PLATE



NOTE:
 (1) Length may vary to fit testing machine.

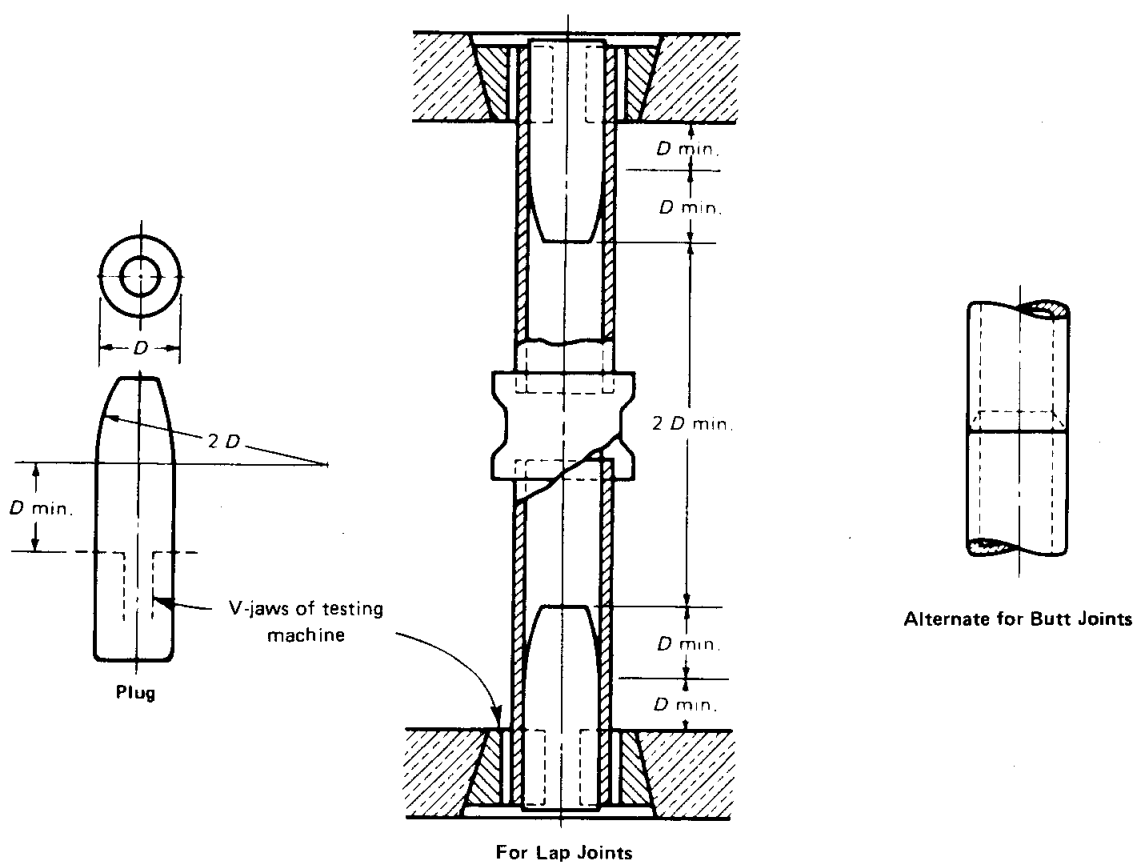
QB-462.1(b) TENSION-REDUCED SECTION FOR BUTT AND SCARF JOINTS — PIPE



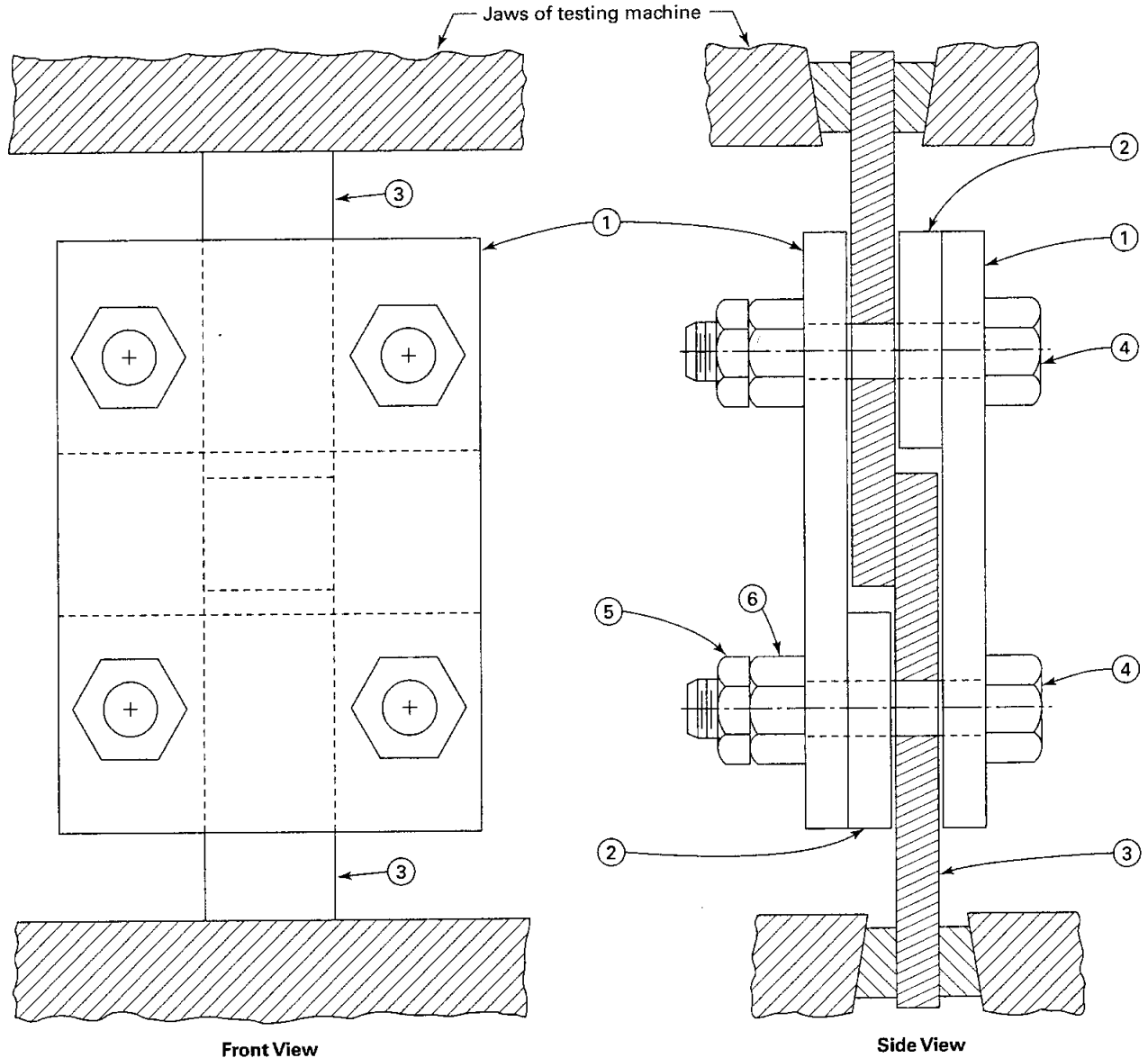
NOTE:

(1) Length may vary to fit testing machine.

QB-462.1(c) TENSION — FULL SECTION FOR LAP AND RABBET JOINTS — PLATE



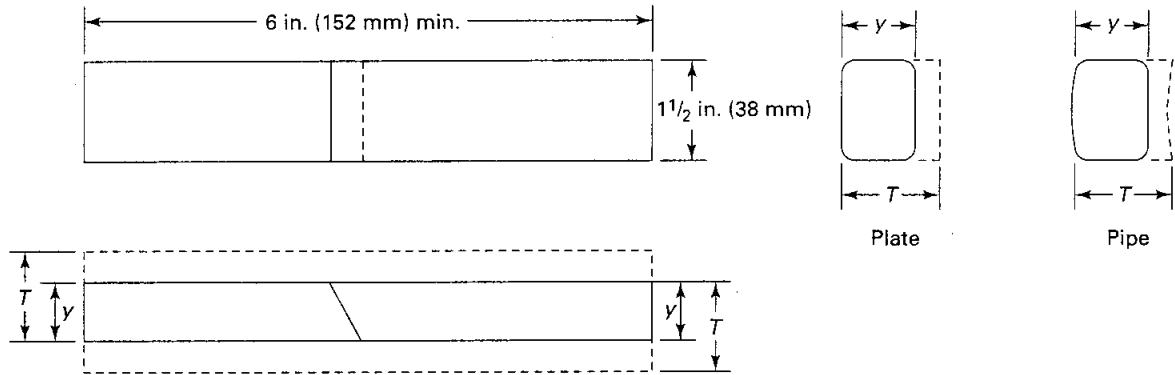
QB-462.1(e) TENSION — FULL SECTION FOR LAP AND BUTT JOINTS — SMALL DIAMETER PIPE



- ① Restrainer Bars
- ② Spacers
- ③ Reduced-Section Tension Specimen
- ④ Bolts, Body-Bound
- ⑤ 4 Locknuts
- ⑥ 4 Nuts

GENERAL NOTE: The restraining fixture is intended to provide a snug fit between the fixture and the contour of the tension specimen. The fixture shall be tightened, but only to the point where a minimum of 0.001 in. (0.03 mm) clearance exists between the sides of the fixture and the tension specimen.

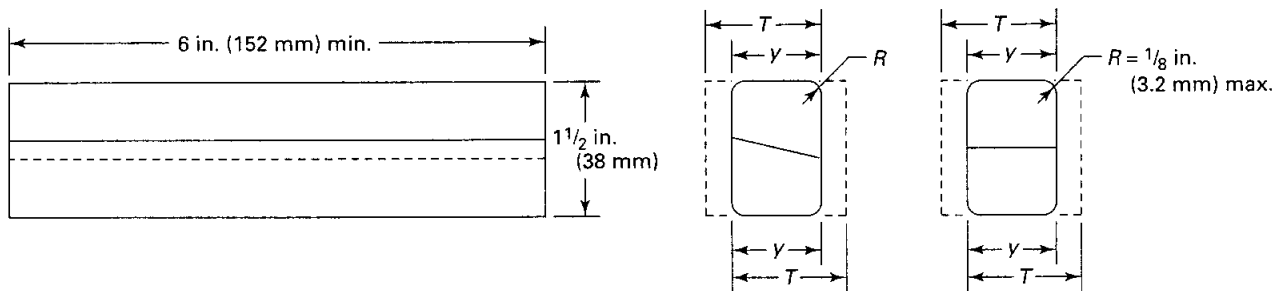
QB-462.1(f) SUPPORT FIXTURE FOR REDUCED-SECTION TENSION SPECIMENS



T, in. (mm)	y, in. (mm)
	All ferrous and nonferrous materials
1/16 - 3/8 (1.6-10)	T
>3/8 (>10)	3/8 (10)

GENERAL NOTE: For the first surface bend specimens, machine from the second surface as necessary until the required thickness is obtained. For second surface bend specimens, machine from the first surface as necessary until the required thickness is obtained.

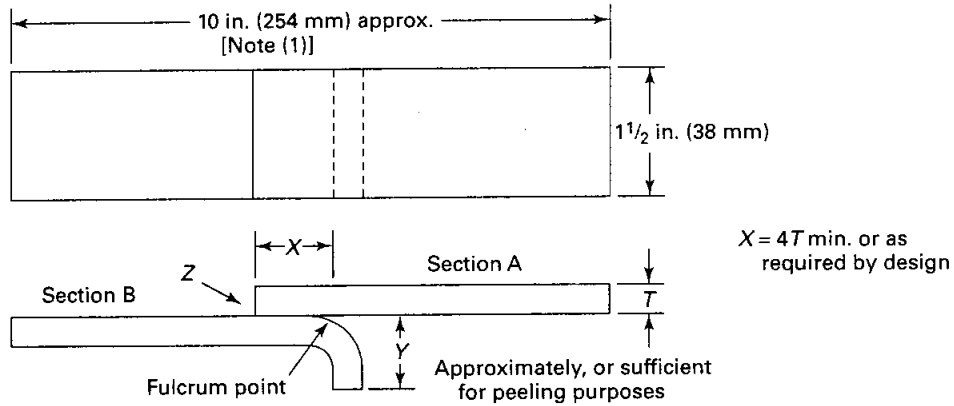
QB-462.2(a) TRANSVERSE FIRST AND SECOND SURFACE BENDS — PLATE AND PIPE



T, in. (mm)	y, in. (mm)
	All ferrous and nonferrous materials
1/16 - 3/8 (1.6-10)	T
>3/8 (>10)	3/8 (10)

GENERAL NOTE: For the first surface bend specimens, machine from the second surface as necessary until the required thickness is obtained. For second surface bend specimens, machine from the first surface as necessary until the required thickness is obtained.

QB-462.2(b) LONGITUDINAL FIRST AND SECOND SURFACE BENDS — PLATE



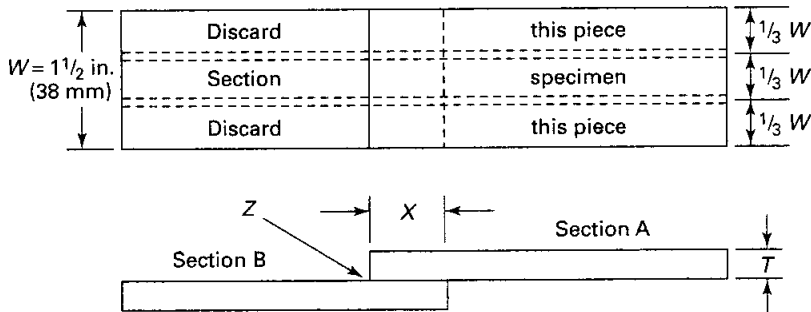
GENERAL NOTES:

- (a) Flange Y may be omitted from Section B when "peeling" is to be accomplished in a suitable tension machine.
- (b) Specimen shall be brazed from side marked Z.

NOTE:

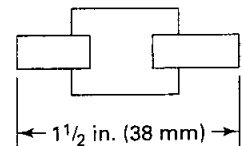
- (1) Length may vary to fit testing machine.

QB-462.3 LAP JOINT PEEL SPECIMEN



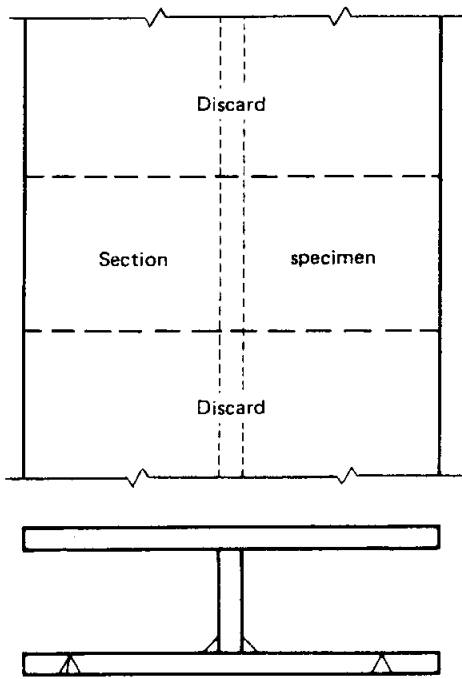
X = 4T min. or as required by design

GENERAL NOTE: Specimen shall be brazed from the side marked Z.

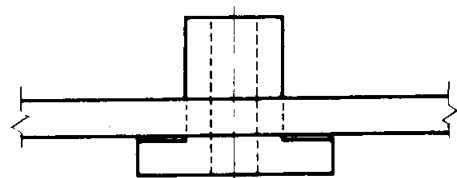


Alternate for Rabbet Joint

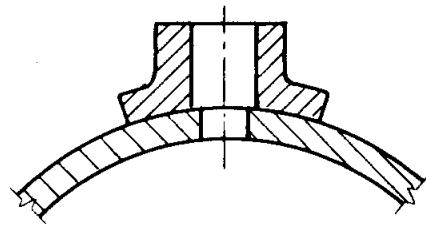
QB-462.4 LAP JOINT SECTION SPECIMEN (See QB-181)



(a) Typical Stay or Partition Joint
[Note (1)]



(a) Typical Spud Joint
[Note (2)]



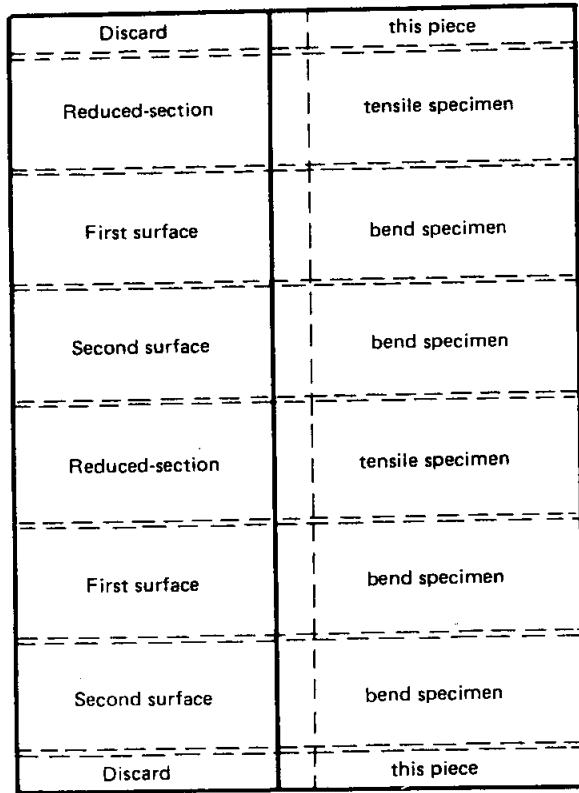
(c) Typical Saddle Joint Sectioned
[Note (2)]

NOTES:

- (1) Workmanship coupons shall be 10 in. in length or represent one-half the typical joint, whichever is less.
- (2) Circular coupons shall be sectioned in half, and one-half shall be used as the test specimen.

QB-462.5 WORKMANSHIP COUPONS

QB-463 Order of Removal

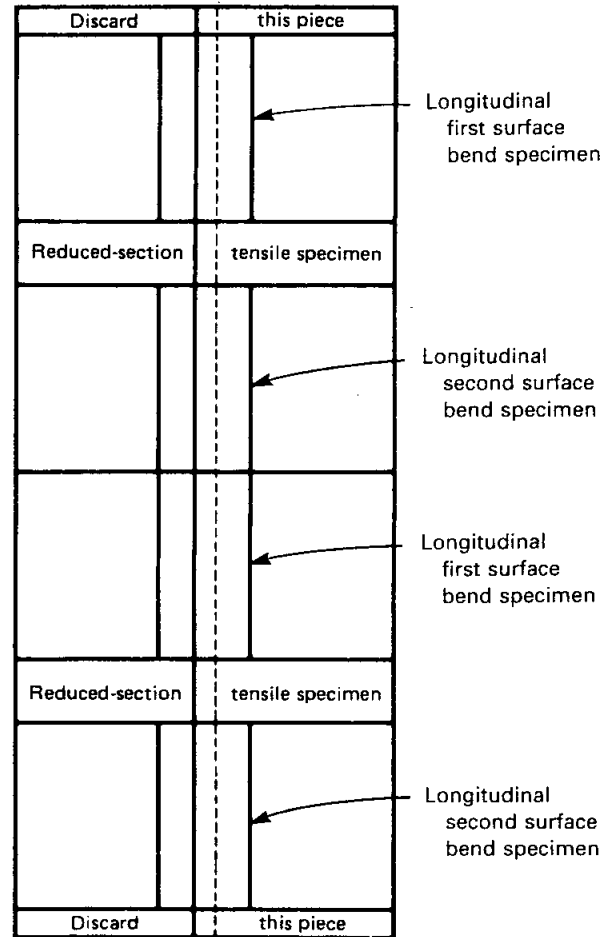


Scarf Joint



Alternate Butt Joint

QB-463.1(a) PLATES PROCEDURE QUALIFICATION



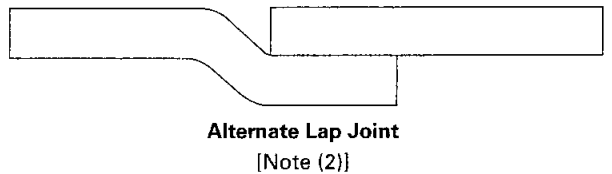
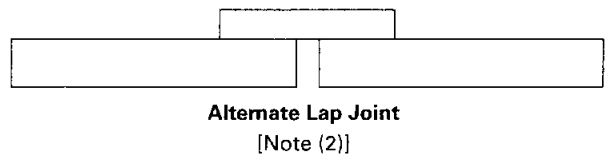
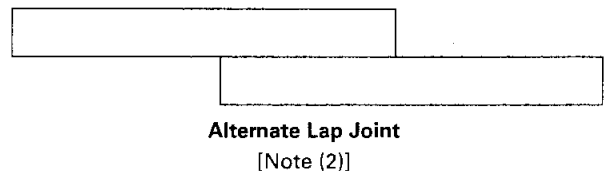
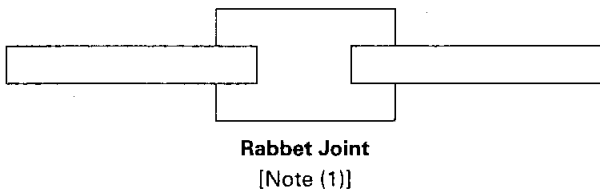
Scarf Joint



Alternate Butt Joint

QB-463.1(b) PLATES PROCEDURE QUALIFICATION

Discard				this piece
Reduced section tensile				specimen
Sectioning				specimen
Reduced section tensile				specimen
Sectioning				specimen
Discard				this piece



- NOTES:
- (1) Required for rabbet joints.
 - (2) The sectioning specimen in this view may be used as an alternate to sectioning the peel test specimens of QB-463.1(d) when the peel test cannot be used. This section test specimen should be approximately 1/2 in. (13 mm) wide.

QB-463.1(c) PLATES PROCEDURE QUALIFICATION

QB-463.1(d)

2001 SECTION IX

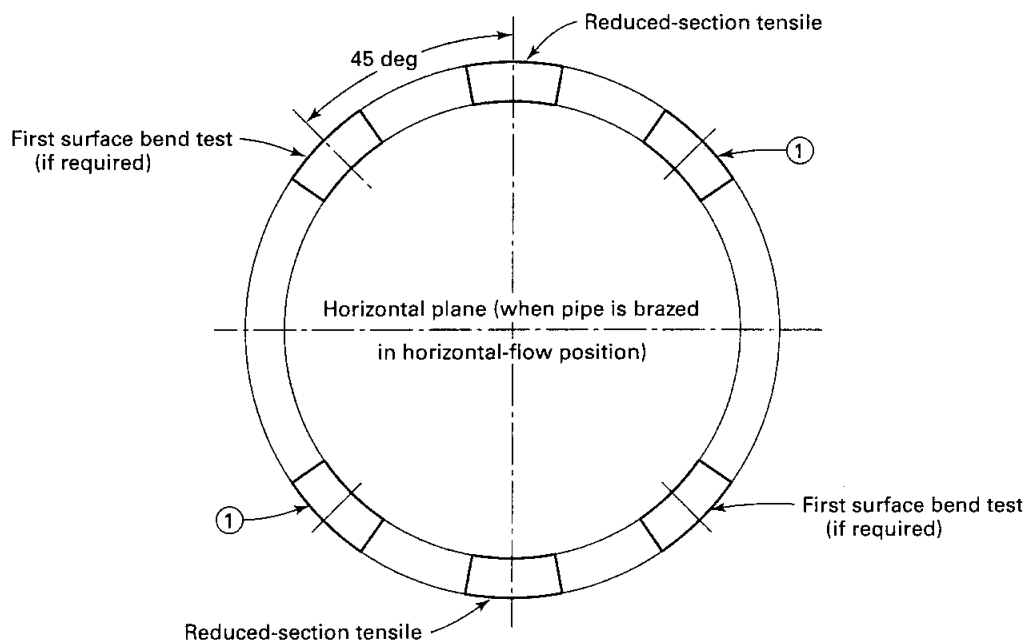
Discard		this piece
Peel test		specimen
Spare		section
Peel test		specimen
Discard		this piece



Lap Joint
[Note (1)]

NOTE:
(1) Required when peel test can be used.

QB-463.1(d) PLATES PROCEDURE QUALIFICATION

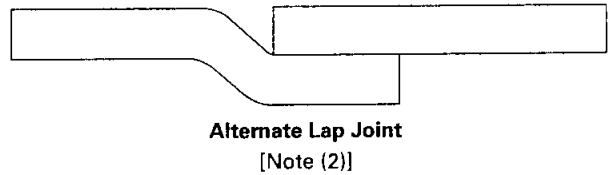
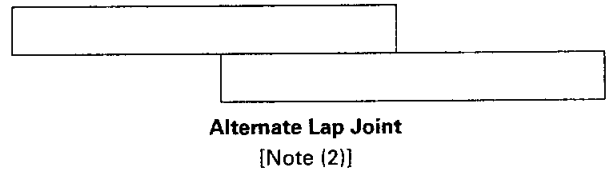
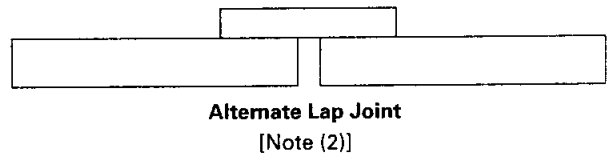
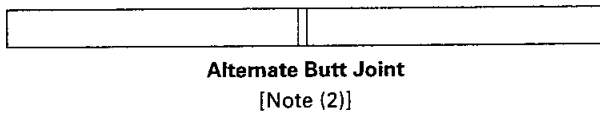
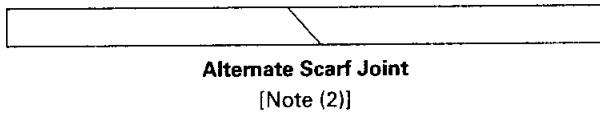
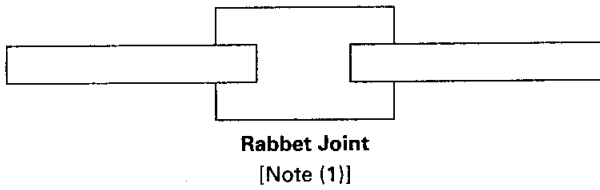


GENERAL NOTES:

- (a) Figure shown is for coupons over 3 in. (76 mm) O.D.
- (b) For coupons 3 in. (76 mm) O.D. or less, two coupons are required for peel or section tests. One specimen shall be removed from each coupon. For coupons under 1 in. (25 mm) O.D., the specimen width shall be a one-half section of the test coupon.
- (c) Location ① specimens to be:
 - (1) Second surface bend specimens for butt and scarf joints
 - (2) Peel or sectioning specimens for lap joints
 - (3) Sectioning specimens for rabbet joints

QB-463.1(e) PIPE — PROCEDURE QUALIFICATION

Discard		this piece
Sectioning		specimen
Discard		this piece
Sectioning		specimen
Discard		this piece



NOTES:

- (1) Required for rabbet joints.
- (2) The sectioning specimen in this view may be used as an alternate to sectioning the peel test specimens of QB-463.2 (b) when the peel test cannot be used. This section test specimen should be approximately 1/2 in. (13 mm) wide.

QB-463.2(a) PLATES PERFORMANCE QUALIFICATION

BRAZING DATA

QB-463.2(b)

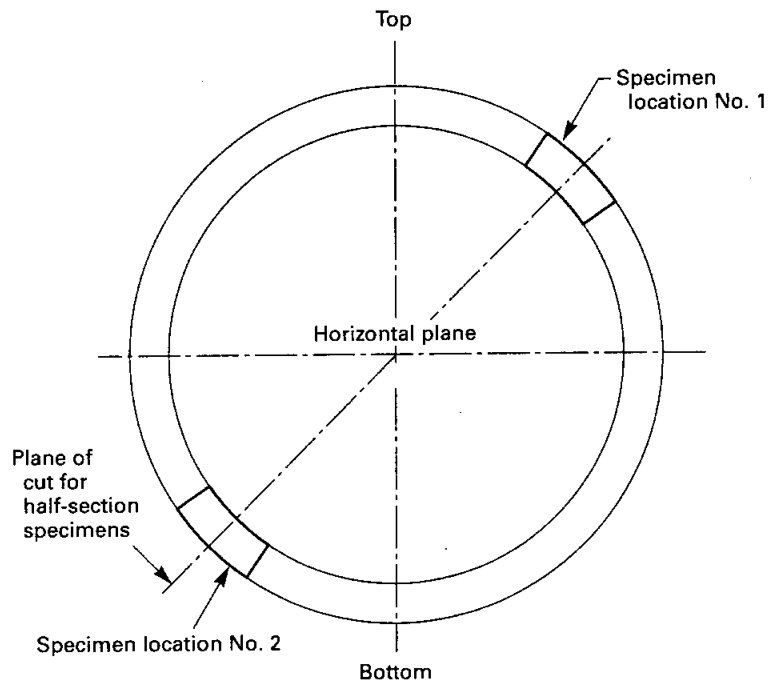
Discard		this piece
Peel test		specimen
Spare		section
Peel test		specimen
Discard		this piece



Lap Joint
[Note (1)]

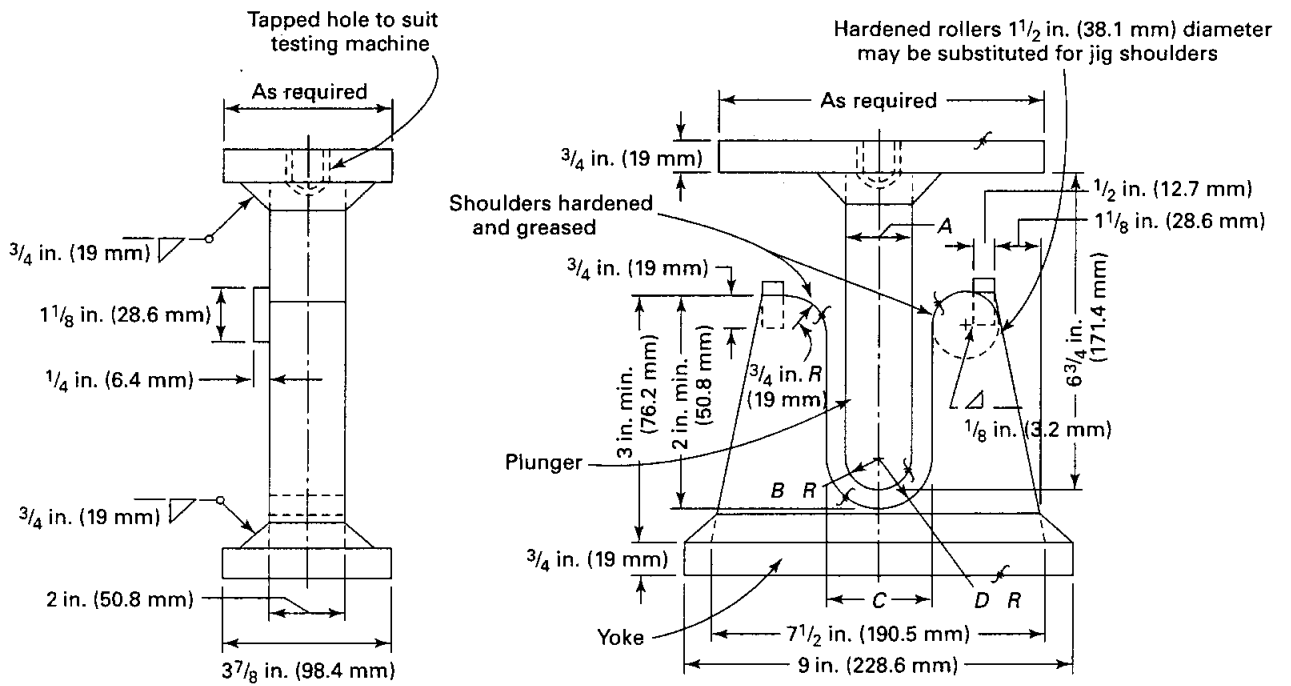
NOTE:
(1) Required when peel test can be used.

QB-463.2(b) PLATES PERFORMANCE QUALIFICATION

**GENERAL NOTES:**

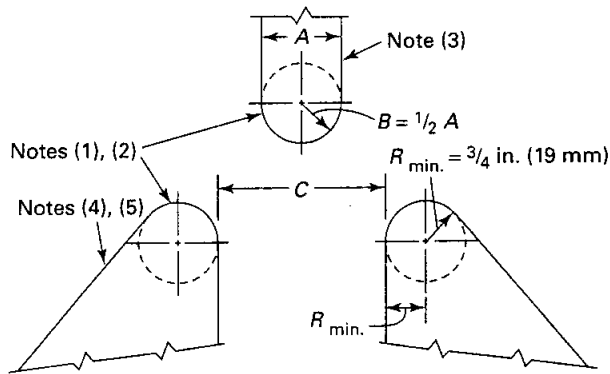
- (a) For coupons over 3 in. (76 mm) O.D., one specimen shall be removed from each location shown.
- (b) For coupons 3 in. (76 mm) O.D. and smaller, two coupons shall be brazed and one specimen shall be removed from each coupon. If brazed in the horizontal flow position, the specimen shall be taken at specimen location No. 1. Alternatively, each coupon shall be cut longitudinally and the specimen shall be both sides of one half-section of each coupon.
- (c) When the coupon is brazed in the horizontal flow position, specimen locations shall be as shown relative to the horizontal plane of the coupon. For half-section specimens, plane of cut shall be oriented as shown relative to the horizontal plane of the coupon.
- (d) When both ends of a coupling are brazed, each end is considered a separate test coupon.

QB-466 Test Jigs



Thickness of Specimen, in. (mm)	A,	B,	C,	D,
	in. (mm)	in. (mm)	in. (mm)	in. (mm)
3/8 (9.5)	1 1/2 (38.1)	3/4 (19)	2 3/8 (60.3)	1 3/16 (30.2)
t	4t	2t	6t + 3.2	3t + 1.6

QB-466.1 GUIDED-BEND JIG



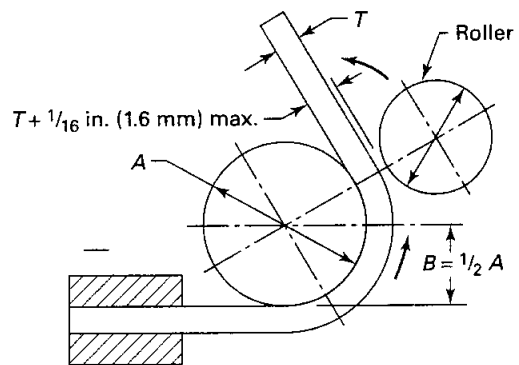
Thickness of Specimen, in. (mm)	A, in. (mm)	B, in. (mm)	C, in. (mm)
$\frac{3}{8}$ (9.5)	$1\frac{1}{2}$ (38.1)	$\frac{3}{4}$ (19)	$2\frac{3}{8}$ (60.3)
t	4t	2t	$6t + \frac{1}{8}$ (3.2)

GENERAL NOTE: The braze joint in the case of a transverse bend specimen shall be completely within the bend portion of the specimen after testing.

NOTES:

- (1) Either hardened and greased shoulders or hardened rollers free to rotate shall be used.
- (2) The shoulders of rollers shall have a minimum bearing surface of 2 in. (51 mm) for placement of the specimen. The rollers shall be high enough above the bottom of the jig so that the specimens will clear the rollers when the ram is in the low position.
- (3) The ram shall be fitted with an appropriate base and provision made for attachment to the testing machine, and shall be of a sufficiently rigid design to prevent deflection and misalignment while making the bend test. The body of the ram may be less than the dimensions shown in column A.
- (4) If desired, either the rollers or the roller supports may be made adjustable in the horizontal direction so that specimens of t thickness may be tested on the same jig.
- (5) The roller supports shall be fitted with an appropriate base designed to safeguard against deflection or misalignment and equipped with means for maintaining the rollers centered mid-point and aligned with respect to the ram.

QB-466.2 GUIDED-BEND ROLLER JIG



Thickness of Specimen, in. (mm)	A, in. (mm)	B, in. (mm)
$\frac{3}{8}$ (9.5)	$1\frac{1}{2}$ (38.1)	$\frac{3}{4}$ (19)
t	4t	2t

GENERAL NOTES:

- (a) Dimensions not shown are the option of the designer. The essential consideration is to have adequate rigidity so that the jig parts will not spring.
- (b) The specimen shall be firmly clamped on one end so that there is no sliding of the specimen during the bending operation.
- (c) Test specimens shall be removed from the jig when the outer roll has been removed 180 deg from the starting point.

QB-466.3 GUIDED-BEND WRAP AROUND JIG

APPENDIX A — MANDATORY SUBMITTAL OF TECHNICAL INQUIRIES TO THE BOILER AND PRESSURE VESSEL COMMITTEE

A-100 INTRODUCTION

The ASME Boiler and Pressure Vessel Committee and its Subcommittees, Subgroups, and Working Groups meet regularly to consider revisions of the Code rules, new Code rules as dictated by technological development, Code Cases, and Code interpretations. This Appendix provides guidance to Code users for submitting technical inquiries to the Committee. Technical inquiries include requests for revisions or additions to the Code rules, requests for Code Cases, and requests for Code interpretations.

Code Cases may be issued by the Committee when the need is urgent. Code Cases clarify the intent of existing Code requirements or provide alternative requirements. Code Cases are written as a question and a reply and are usually intended to be incorporated into the Code at a later date. Code interpretations provide the meaning of or the intent of existing rules in the Code and are also presented as a question and a reply. Both Code Cases and Code interpretations are published by the Committee.

The Code rules, Code Cases, and Code interpretations established by the Committee are not to be considered as approving, recommending, certifying, or endorsing any proprietary or specific design or as limiting in any way the freedom of manufacturers or constructors to choose any method of design or any form of construction that conforms to the Code rules.

As an alternative to the requirements of this Appendix, members of the Committee and its Subcommittees, Subgroups, and Working Groups may introduce requests for Code revisions or additions, Code Cases, and Code interpretations at their respective Committee meetings or may submit such requests to the secretary of a Subcommittee, Subgroup, or Working Group.

Inquiries that do not comply with the provisions of this Appendix or that do not provide sufficient information for the Committee's full understanding may result

in the request being returned to the inquirer with no action.

A-200 INQUIRY FORMAT

Submittals to the Committee shall include:

(a) *Scope*. Specify one of the following:

- (1) Revision of present Code rule(s).
- (2) New or additional Code rule(s).
- (3) Code Case.
- (4) Code interpretation.

(b) *Background*. Provide the information needed for the Committee's understanding of the inquiry, being sure to include reference to the applicable Code Section, Division, Edition, Addenda, paragraphs, figures, and tables. Preferably, provide a copy of the specific referenced portions of the Code.

(c) *Presentations*. The inquirer may desire or be asked to attend a meeting of the Committee to make a formal presentation or to answer questions from the Committee members with regard to the inquiry. Attendance at a Committee meeting shall be at the expense of the inquirer. The inquirer's attendance or lack of attendance at a meeting shall not be a basis for acceptance or rejection of the inquiry by the Committee.

A-300 CODE REVISIONS OR ADDITIONS

Requests for Code revisions or additions shall provide the following:

(a) *Proposed Revision(s) or Addition(s)*. For revisions, identify the rules of the Code that require revision and submit a copy of the appropriate rules as they appear in the Code marked up with the proposed revision. For additions, provide the recommended wording referenced to the existing Code rules.

(b) *Statement of Need.* Provide a brief explanation of the need for the revision(s) or addition(s).

(c) *Background Information.* Provide background information to support the revision(s) or addition(s) including any data or changes in technology that form the basis for the request that will allow the Committee to adequately evaluate the proposed revision(s) or addition(s). Sketches, tables, figures, and graphs should be submitted as appropriate. When applicable, identify any pertinent paragraph in the Code that would be affected by the revision(s) or addition(s) and paragraphs in the Code that reference the paragraphs that are to be revised or added.

A-400 CODE CASES

Requests for Code Cases shall provide a *Statement of Need* and *Background Information* similar to that defined in A-300(b) and A-300(c), respectively, for Code revisions or additions. The proposed Code Case should identify the Code Section and Division and be written as a *Question* and a *Reply* in the same format as existing Code Cases.

A-500 CODE INTERPRETATIONS

Requests for Code interpretations shall provide the following:

(a) *Inquiry.* Provide a condensed and precise question, omitting superfluous background information, and,

when possible, composed in such a way that a "yes" or a "no" *Reply*, possibly with brief provisos, is acceptable. The question should be technically and editorially correct.

(b) *Reply.* Provide a proposed *Reply* that will clearly and concisely answer the *Inquiry* question. Preferably, the *Reply* should be "yes" or "no" with brief provisos.

(c) *Background Information.* Provide any background information that will assist the Committee in understanding the proposed *Inquiry* and *Reply*.

A-600 SUBMITTALS

Submittals to and responses from the Committee shall meet the following:

(a) *Submittal.* Inquiries from Code users shall preferably be submitted in typewritten form; however, legible handwritten inquiries will also be considered. They shall include the name, address, telephone number, and a fax number, if available, of the inquirer and be mailed to the following address:

Secretary
ASME Boiler and Pressure Vessel Committee
Three Park Avenue
New York, N.Y. 10016-5990

(b) *Response.* The Secretary of the ASME Boiler and Pressure Vessel Committee or of the appropriate Subcommittee shall acknowledge receipt of each properly prepared inquiry and shall provide a written response to the inquirer upon completion of the requested action by the Code Committee.

APPENDIX B — NONMANDATORY WELDING AND BRAZING FORMS

B-100 FORMS

This Nonmandatory Appendix illustrates sample formats for Welding and Brazing Procedure Specifications, Procedure Qualification Records, and Performance Qualification.

B-101 Welding

Form QW-482 is a suggested format for Welding Procedure Specifications (WPS); Form QW-483 is a suggested format for Procedure Qualification Records (PQR). These forms are for the shielded metal-arc (SMAW), submerged-arc (SAW), gas metal-arc (GMAW), and gas tungsten-arc (GTAW) welding processes, or a combination of these processes.

Forms for other welding processes may follow the general format of Forms QW-482 and QW-483, as applicable.

Form QW-484 is a suggested format for Welder/Welding Operator/Performance Qualification (WPQ) for groove or fillet welds.

Form QW-485 is a suggested format for Demonstration of Standard Welding Procedure Specifications.

B-102 Brazing

Form QB-482 is a suggested format for Brazing Procedure Specifications (BPS); Form QB-483 is a suggested format for Procedure Qualifications Records (PQR). These forms are for torch brazing (TB), furnace brazing (FB), induction brazing (IB), resistance brazing (RB), and dip brazing (DB) processes.

Forms for other welding processes may follow the general format of Forms QW-482 and QW-483, as applicable.

Form QB-484 is a suggested format for Brazer/Brazing Operator/Performance Qualification (BPQ).

QW-482 SUGGESTED FORMAT FOR WELDING PROCEDURE SPECIFICATIONS (WPS) (See QW-200.1, Section IX, ASME Boiler and Pressure Vessel Code)		
Company Name _____ By: _____ Welding Procedure Specification No. _____ Date _____ Supporting PQR No.(s) _____ Revision No. _____ Date _____		
Welding Process(es) _____ Type(s) _____ (Automatic, Manual, Machine, or Semi-Auto.)		
JOINTS (QW-402) Joint Design _____ Backing (Yes) _____ (No) _____ Backing Material (Type) _____ (Refer to both backing and retainers.) <input type="checkbox"/> Metal <input type="checkbox"/> Nonfusing Metal <input type="checkbox"/> Nonmetallic <input type="checkbox"/> Other Sketches, Production Drawings, Weld Symbols or Written Description should show the general arrangement of the parts to be welded. Where applicable, the root spacing and the details of weld groove may be specified. (At the option of the Mfgr., sketches may be attached to illustrate joint design, weld layers and bead sequence, e.g., for notch toughness procedures, for multiple process procedures, etc.)	Details	
*BASE METALS (QW-403) P-No. _____ Group No. _____ to P-No. _____ Group No. _____ OR Specification type and grade _____ to Specification type and grade _____ OR Chem. Analysis and Mech. Prop. _____ to Chem. Analysis and Mech. Prop. _____ Thickness Range: Base Metal: Groove _____ Fillet _____ Other _____		
*FILLER METALS (QW-404) Spec. No. (SFA) _____ AWS No. (Class) _____ F-No. _____ A-No. _____ Size of Filler Metals _____ Weld Metal Thickness Range: Groove _____ Fillet _____ Electrode-Flux (Class) _____ Flux Trade Name _____ Consumable insert _____ Other _____		
*Each base metal-filler metal combination should be recorded individually.		

QW-482 (Back)

WPS No. _____ Rev. _____

<p>POSITIONS (QW-405) Position(s) of Groove _____ Welding Progression: Up _____ Down _____ Position(s) of Fillet _____</p>	<p>POSTWELD HEAT TREATMENT (QW-407) Temperature Range _____ Time Range _____</p>															
<p>PREHEAT (QW-406) Preheat Temp. Min. _____ Interpass Temp. Max. _____ Preheat Maintenance _____ (Continuous or special heating where applicable should be recorded)</p>	<p>GAS (QW-408)</p> <table style="width:100%; border-collapse: collapse;"> <tr> <td></td> <td style="text-align: center;">Percent Composition</td> <td></td> </tr> <tr> <td></td> <td style="text-align: center;">Gas(es) (Mixture)</td> <td style="text-align: center;">Flow Rate</td> </tr> <tr> <td style="border: none;">Shielding</td> <td style="border: 1px solid black; width: 20%;"></td> <td style="border: 1px solid black; width: 20%;"></td> </tr> <tr> <td style="border: none;">Trailing</td> <td style="border: 1px solid black;"></td> <td style="border: 1px solid black;"></td> </tr> <tr> <td style="border: none;">Backing</td> <td style="border: 1px solid black;"></td> <td style="border: 1px solid black;"></td> </tr> </table>		Percent Composition			Gas(es) (Mixture)	Flow Rate	Shielding			Trailing			Backing		
	Percent Composition															
	Gas(es) (Mixture)	Flow Rate														
Shielding																
Trailing																
Backing																

ELECTRICAL CHARACTERISTICS (QW-409)
 Current AC or DC _____ Polarity _____
 Amps (Range) _____ Volts (Range) _____
 (Amps and volts range should be recorded for each electrode size, position, and thickness, etc. This information may be listed in a tabular form similar to that shown below.)

Tungsten Electrode Size and Type _____
 (Pure Tungsten, 2% Thoriated, etc.)

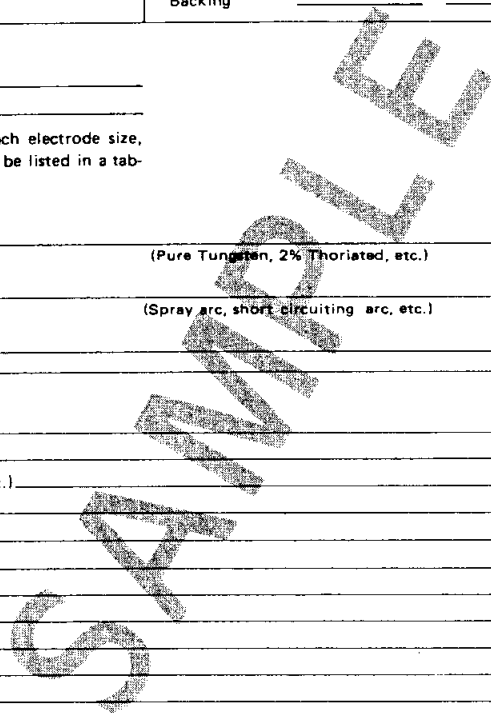
Mode of Metal Transfer for GMAW _____
 (Spray arc, short circuiting arc, etc.)

Electrode Wire feed speed range _____

TECHNIQUE (QW-410)
 String or Weave Bead _____
 Orifice or Gas Cup Size _____
 Initial and Interpass Cleaning (Brushing, Grinding, etc.) _____

Method of Back Gouging _____
 Oscillation _____
 Contact Tube to Work Distance _____
 Multiple or Single Pass (per side) _____
 Multiple or Single Electrodes _____
 Travel Speed (Range) _____
 Peening _____
 Other _____

Weld Layer(s)	Process	Filler Metal		Current		Volt Range	Travel Speed Range	Other (e.g., Remarks, Comments, Hot Wire Addition, Technique, Torch Angle, Etc.)
		Class	Dia.	Type Polar.	Amp. Range			



QW-483 SUGGESTED FORMAT FOR PROCEDURE QUALIFICATION RECORDS (PQR)
 (See QW-200.2, Section IX, ASME Boiler and Pressure Vessel Code)
Record Actual Conditions Used to Weld Test Coupon.

Company Name _____
 Procedure Qualification Record No. _____ Date _____
 WPS No. _____
 Welding Process(es) _____
 Types (Manual, Automatic, Semi-Auto.) _____

JOINTS (QW-402)

Groove Design of Test Coupon

(For combination qualifications, the deposited weld metal thickness shall be recorded for each filler metal or process used.)

BASE METALS (QW-403)

Material Spec. _____
 Type or Grade _____
 P-No. _____ to P-No. _____
 Thickness of Test Coupon _____
 Diameter of Test Coupon _____
 Other _____

POSTWELD HEAT TREATMENT (QW-407)

Temperature _____
 Time _____
 Other _____

GAS (QW-408)

	Percent Composition		Flow Rate
	Gas(es)	(Mixture)	
Shielding	_____	_____	_____
Trailing	_____	_____	_____
Backing	_____	_____	_____

FILLER METALS (QW-404)

SFA Specification _____
 AWS Classification _____
 Filler Metal F-No. _____
 Weld Metal Analysis A-No. _____
 Size of Filler Metal _____
 Other _____

 Weld Metal Thickness _____

ELECTRICAL CHARACTERISTICS (QW-409)

Current _____
 Polarity _____
 Amps _____ Volts _____
 Tungsten Electrode Size _____
 Other _____

POSITION (QW-405)

Position of Groove _____
 Weld Progression (Uphill, Downhill) _____
 Other _____

TECHNIQUE (QW-410)

Travel Speed _____
 String or Weave Bead _____
 Oscillation _____
 Multipass or Single Pass (per side) _____
 Single or Multiple Electrodes _____
 Other _____

PREHEAT (QW-406)

Preheat Temp. _____
 Interpass Temp. _____
 Other _____

QW-483 (Back)

PQR No. _____

Tensile Test (QW-150)

Specimen No.	Width	Thickness	Area	Ultimate Total Load lb	Ultimate Unit Stress psi	Type of Failure & Location

Guided-Bend Tests (QW-160)

Type and Figure No.	Result

Toughness Tests (QW-170)

Specimen No.	Notch Location	Specimen Size	Test Temp.	Impact Values			Drop Weight Break (Y/N)
				Ft. lbs	% Shear	Mils	

Comments: _____

Fillet-Weld Test (QW-180)

Result — Satisfactory: Yes _____ No _____ Penetration into Parent Metal: Yes _____ No _____

Macro — Results _____

Other Tests

Type of Test _____

Deposit Analysis _____

Other _____

Welder's Name _____ Clock No. _____ Stamp No. _____

Tests conducted by: _____ Laboratory Test No. _____

We certify that the statements in this record are correct and that the test welds were prepared, welded, and tested in accordance with the requirements of Section IX of the ASME Code.

Manufacturer _____

Date _____ By _____

(Detail of record of tests are illustrative only and may be modified to conform to the type and number of tests required by the Code.)

01

QW-484A SUGGESTED FORMAT A FOR WELDER PERFORMANCE QUALIFICATIONS (WPO)
 (See QW-301, Section IX, ASME Boiler and Pressure Vessel Code)

Welder's name _____ Identification no. _____

Test Description

Identification of WPS followed _____ Test coupon Production weld
 Specification of base metal(s) _____ Thickness _____

Testing Conditions and Qualification Limits

Welding Variables (QW-350)	Actual Values	Range Qualified
Welding process(es)	_____	_____
Type (ie: manual, semi-auto) used	_____	_____
Backing (metal, weld metal, double-welded, etc.)	_____	_____
<input type="checkbox"/> Plate <input type="checkbox"/> Pipe (enter diameter if pipe or tube)	_____	_____
Base metal P or S-Number to P- or S-Number	_____	_____
Filler metal or electrode specification(s) (SFA) (info only)	_____	_____
Filler metal or electrode classification(s) (info only)	_____	_____
Filler metal F-Number(s)	_____	_____
Consumable insert (GTAW or PAW)	_____	_____
Filler type (solid/metal or flux cored/powder) (GTAW or PAW)	_____	_____
Deposit thickness for each process	_____	_____
Position qualified (2G, 6G, 3F, etc.)	_____	_____
Vertical progression (uphill or downhill)	_____	_____
Type of fuel gas (OFW)	_____	_____
Inert gas backing (GTAW, PAW, GMAW)	_____	_____
Transfer mode (spray/globular or pulse to short circuit-GMAW)	_____	_____
GTAW current type/polarity (AC, DCEP, DCEN)	_____	_____

RESULTS

Visual Examination of Completed Weld (QW-302.4) _____

Bend test; Transverse root and face [QW-462.3(a)]; Longitudinal root and face [QW-462.3(b)]; Side [QW-462.2];
 Pipe bend specimen, corrosion-resistant overlay [QW-462.5(c)]; Plate bend specimen, corrosion-resistant overlay [QW-462.5(d)];
 Macro test for fusion [QW-462.5(b)]; Macro test for fusion [QW-462.5(e)]

Type	Result	Type	Result

Alternative radiographic examination results (QW-191) _____

Fillet weld — fracture test (QW-180) _____ Length and percent of defects _____

Macro examination (QW-184) _____ Fillet size (in.) _____ x _____ Concavity/convexity (in.) _____

Other tests _____

Film or specimens evaluated by _____ Company _____

Mechanical tests conducted by _____ Laboratory test no. _____

Welding supervised by _____

We certify that the statements in this record are correct and that the test coupons were prepared, welded, and tested in accordance with the requirements of Section IX of the ASME Code.

Organization _____

Date _____ By _____

This form (E0008A) may be obtained from the Order Dept., ASME, 22 Law Drive, Box 2300, Fairfield, NJ 07007-2300.

QW-484B SUGGESTED FORMAT B FOR WELDING OPERATOR PERFORMANCE QUALIFICATIONS (WOPQ)
 (See QW-301, Section IX, ASME Boiler and Pressure Vessel Code)

Welder's name _____ Identification no. _____

Test Description (Information Only)

Identification of WPS followed _____ Test coupon Production weld

Specification of base metal(s) _____ Thickness _____

Base metal P or S-Number _____ to P or S-Number _____ Position (2G, 6G, 3F, etc.) _____

Plate Pipe (enter diameter if pipe or tube): _____

Filler metal (SFA) specification _____ Filler metal or electrode classification _____

Testing Conditions and Qualification Limits When Using Automatic Welding Equipment

Welding Variables (QW-361.1)

Actual Values

Range Qualified

Type of welding (Automatic)	_____	_____
Welding process	_____	_____
Filler metal (EBW or LBW)	_____	_____
Type of laser for LBW (CO ₂ to YAG, etc.)	_____	_____
Continuous drive or inertia welding (FW)	_____	_____
Vacuum or out of vacuum (EBW)	_____	_____

Testing Conditions and Qualification Limits When Using Machine Welding Equipment

Welding Variables (QW-361.2)

Actual Values

Range Qualified

Type of welding (machine)	_____	_____
Welding process	_____	_____
Direct or remote visual control	_____	_____
Automatic arc voltage control (GTAW)	_____	_____
Automatic joint tracking	_____	_____
Position qualified (2G, 6G, 3F, etc.)	_____	_____
Consumable inserts (GTAW or PAW)	_____	_____
Backing (metal, weld metal, etc.)	_____	_____
Single or multiple passes per side	_____	_____

RESULTS

Visual Examination of Completed Weld (QW-462.1) _____

- Bend test; Transverse root and face [QW-462.3(a)]; Longitudinal root and face [QW-462.3(b)]; Side [QW-462.2];
 Pipe bend specimen, corrosion-resistant overlay [QW-462.5(c)]; Plate bend specimen, corrosion-resistant overlay [QW-462.5(d)];
 Macro test for fusion [QW-462.5(b)]; Macro test for fusion [QW-462.5(e)]

Type	Result	Type	Result	Type	Result

Alternative radiographic examination results (QW-191) _____

Fillet weld — fracture test (QW-180) _____ Length and percent of defects _____

Macro examination (QW-184) _____ Fillet size (in.) _____ x _____ Concavity/convexity (in.) _____

Other tests _____

Film or specimens evaluated by _____ Company _____

Mechanical tests conducted by _____ Laboratory test no. _____

Welding supervised by _____

We certify that the statements in this record are correct and that the test coupons were prepared, welded, and tested in accordance with the requirements of Section IX of the ASME Code.

Organization _____

Date _____

By _____

**QW-485 SUGGESTED FORMAT FOR DEMONSTRATION OF STANDARD WELDING
PROCEDURE SPECIFICATIONS (WPS)
(See Article V)**

Identification of Standard Welding Procedure Specification Demonstrated: _____

Demonstration Welding Conditions

Specification, Type, and Grade of Base Metal(s): _____

To Specification, Type, and Grade of Base Metal(s): _____

Base Metal P- or S-Number _____ to Base Metal P- or S-Number _____ Thickness: _____

Welding Process(es) used: _____

Plate Pipe (Enter Diameter of Pipe or Tube): _____

Groove Type (Single V, Double V, Single U, etc.): _____

Initial Cleaning Method: _____

Backing (Metal, Weld Metal, Backwelded, etc.): _____

Filler Metal (SFA) Specification: _____

Filler Metal or Electrode Classification: _____

Filler Metal or Electrode Trade Name: _____

Tungsten Electrode Type and Size for GTAW: _____

Consumable Insert Class and Size for GTAW or PAW: _____

Backing Gas Composition and Flow Rate for GTAW, PAW, GMAW: _____

Preheat Temperature (°F): _____

Position (F, V, OH, H) of Weld: _____

Progression (Uphill or Downhill): _____

Interpass Cleaning Method: _____

Measured Interpass Temperature (°F): _____

Approximate Deposit Thickness for Each Filler Metal or Electrode Type (in.): _____

Current Type/Polarity (AC, DCEP, DCEN): _____

Postweld Heat Treatment Time and Temperature: _____

Visual Examination of Completed Weld: _____ Date of Test: _____

Bend Test Transverse Root and Face [QW-462.3(a)] Side [QW-462.2]

Type	Result	Type	Result	Type	Result

Alternative Radiographic Examination Results: _____

Specimens Evaluated By: _____ Title: _____ Company: _____

Welding Supervised By: _____ Title: _____ Company: _____

Welder's Name: _____ Stamp No. _____

We certify that the statements in this record are correct and that the weld described above was prepared, welded, and tested in accordance with the requirements of Section IX of the ASME Code.

Manufacturer or Contractor: _____

By: _____ Date: _____ Demonstration Number: _____

QB-482 SUGGESTED FORMAT FOR BRAZING PROCEDURE SPECIFICATIONS (BPS)
 (See QB-200.1, Section IX, ASME Boiler and Pressure Vessel Code)

Company Name _____

BPS No. _____ Date _____ Supporting PQR No. _____

Revisions _____

Brazing Process(es) _____ Type(s) _____
(Manual, mechanical torch, etc.)

JOINTS (QB-408)

Type of Joint(s) _____

Joint Clearance Range _____

Lap Length Range _____

Sketches, production drawings, symbols,
 or written description should show the
 general arrangement of the parts to be
 joined.

(At the option of the Mfr., sketches
 may be attached to illustrate joint design.)

BASE METALS (QB-402)

P-No. _____ to P-No. _____

Spec. type and grade _____

to spec. type and grade _____

OR

Chem. analysis and mech. prop. _____

to chem. analysis and mech. prop. _____

Thickness Range _____

Other _____

BRAZING FLUX OR ATMOSPHERE (QB-406)

Trade Name or Composition _____

Atmosphere for Furnace Brazing _____

_____ (name or trade designation of the fuel used or
 the name or trade designation of the gas compressing the atmosphere
 (hydrogen, Ammo-Gas, etc.) and a statement regarding the designed
 character of the furnace atmosphere, e.g., whether it is reducing, de-
 carburizing, inert, etc.)

FILLER METALS (QB-403)

F-No. _____ Other _____

ASME Spec. No. _____ Other _____

AWS Class No. _____ Other _____

Size or Shape of Filler Metal _____

Other _____

FLOW POSITION (QB-407)

Flow Position(s) _____

Method of Applying Filler (Metal _____

_____ (face feeding, preplaced rings, shims, spray de-
 posit, cladding, etc.)

Other _____

BRAZING TEMPERATURE (QB-404)

Temperature Range* _____

Other _____

*Not applicable for torch brazing

POSTBRAZE HEAT TREATMENT (QB-409)

Type and temperature of aging or stabilizing thermal treatment after
 brazing _____

TECHNIQUE (QB-410)

Method of Precleaning _____

Method of Postbrazing Cleaning _____

Type of Flame _____

Torch Tip Size _____

Other _____

QB-483 SUGGESTED FORMAT FOR PROCEDURE QUALIFICATION RECORDS (PQR)
(See QB-200.2, Section IX, ASME Boiler and Pressure Vessel Code)
Record of Actual Conditions Used to Braze Test Coupon

Company Name _____

PQR No. _____ Date _____

BPS No. _____

Brazing Process(es) _____ Type(s) _____
 (Manual, mechanical torch, etc.)

JOINTS (QB-408) Type of Joint(s) _____ Joint Clearance _____ Length of Overlap _____ Other _____ <p align="right">Joint Design of Test Coupon</p>	
BASE METAL (QB-402) P-No. _____ to P-No. _____ Material Spec. _____ Type or Grade _____ Thickness of Test Coupon _____ Method of Precleaning _____ Other _____	FLOW POSITION (QB-407) Flow Position(s) _____ Method of Applying Filler Metal _____ _____ (face feeding, preplaced rings, shims, spray deposit, cladding, etc.) Other _____
FILLER METALS (QB-403) F-No. _____ Other _____ ASME Spec. No. _____ Other _____ AWS Class No. _____ Other _____ Size or Shape of Filler Metal _____ Other _____	POSTBRAZE HEAT TREATMENT (QB-409) Type and temperature of aging or stabilizing thermal treatment after brazing _____ _____ _____
BRAZING TEMPERATURE (QB-404) Temperature Range* _____ Other _____ *Not applicable for torch brazing	TECHNIQUE (QB-410) Method of Postbrazing Cleaning _____ Type of Flame _____ Torch Tip Size _____ Other _____
BRAZING FLUX OR ATMOSPHERE (QB-406) Flux Trade Name or Composition _____ Atmosphere for Furnace Brazing _____ _____ [name or trade designation of the fuel used or the name or trade designation of the gas compressing the atmosphere (hydrogen, dissociated ammonia, etc.) and a statement regarding the designed character of the furnace atmosphere, e.g., whether it is reducing, decarburizing, inert, etc.]	_____ _____ _____

QB-483 (Back) PQR No. _____

Full
 Reduced Section

TENSILE TEST (QB-150)

Specimen No.	Dimensions			Area	Ultimate Total Load, lb	Ultimate Stress, psi	Type of Failure and Location
	Width	Thick.	O.D.				

GUIDED-BEND TESTS (QB-160)

Type and Figure No.	Results

PEEL OR SECTIONING TEST (QB-170 OR QB-180)

Type and Figure No.	Results

OTHER TESTS

Type of Test _____
 Other _____

Brazer's Name _____ Clock No. _____ Stamp No. _____
 Tests Conducted by _____ Laboratory Test No. _____

We certify that the statements made in this record are correct and that the test brazes were prepared, brazed, and tested in accordance with the requirements of Section IX of the ASME Code.

Manufacturer _____

Date _____ By _____

(Details of record of tests are illustrative only and may be modified to conform to the type and number of tests required by the Code.)

**APPENDIX D — NONMANDATORY
P-NUMBER LISTING**

NONMANDATORY APPENDIX D

APPENDIX D — NONMANDATORY P-NUMBER LISTING

P-No.	Grp. No.	Spec. No.	Type, Grade, or UNS No.	P-No.	Grp. No.	Spec. No.	Type, Grade, or UNS No.
Steel and Steel Alloys				Steel and Steel Alloys (Cont'd)			
1	1	SA-36		1	1	SA-516	60
1	1	SA-53	Type E, Gr. A	1	1	SA-516	65
1	1	SA-53	Type E, Gr. B	1	1	SA-524	I
1	1	SA-53	Type F	1	1	SA-524	II
1	1	SA-53	Type S, Gr. A				
1	1	SA-53	Type S, Gr. B	1	1	SA-556	A2
1	1	SA-106	A	1	1	SA-556	B2
1	1	SA-106	B	1	1	SA-557	A2
1	1	SA-134		1	1	SA-557	B2
1	1	SA-135	A	1	1	SA-562	
1	1	SA-135	B	1	1	SA-587	...
1	1	SA-178	A	1	1	SA-620	K00040
1	1	SA-178	C	1	1	SA-660	WCA
1	1	SA-179	...	1	1	SA-662	A
1	1	SA-181	Cl. 60	1	1	SA-662	B
1	1	SA-192		1	1	SA-671	CA55
1	1	SA-210	A-1	1	1	SA-671	CB60
1	1	SA-214		1	1	SA-671	CB65
1	1	SA-216	WCA	1	1	SA-671	CC60
1	1	SA-226		1	1	SA-671	CC65
1	1	SA-234	WPB	1	1	SA-671	CE55
1	1	SA-266	1	1	1	SA-671	CE60
1	1	SA-283	A	1	1	SA-672	A45
1	1	SA-283	B	1	1	SA-672	A50
1	1	SA-283	C	1	1	SA-672	A55
1	1	SA-283	D	1	1	SA-672	B55
1	1	SA-285	A	1	1	SA-672	B60
1	1	SA-285	B	1	1	SA-672	B65
1	1	SA-285	C	1	1	SA-672	C55
1	1	SA-333	1	1	1	SA-672	C60
1	1	SA-333	6	1	1	SA-672	C65
1	1	SA-334	1	1	1	SA-672	E55
1	1	SA-334	6	1	1	SA-672	E60
1	1	SA-350	LF1	1	1	SA-675	45
1	1	SA-352	LCA	1	1	SA-675	50
1	1	SA-352	LCB				
1	1	SA-369	FPA	1	1	SA-675	55
1	1	SA-369	FPB	1	1	SA-675	60
1	1	SA-372	A	1	1	SA-675	65
1	1	SA-414	A	1	1	SA-695	Type B, Gr. 35
1	1	SA-414	B	1	1	SA-696	B
1	1	SA-414	C	1	1	SA-727	...
1	1	SA-414	D	1	1	SA-765	I
1	1	SA-414	E	1	1	SA-836	
1	1	SA-420	WPL6				
1	1	SA-515	60	1	1	SA/CSA	Gr. 38W
1	1	SA-515	65			G40.21	
1	1	SA-516	55	1	1	SA/CSA	Gr. 44W
						G40.21	

2001 SECTION IX

01

APPENDIX D — NONMANDATORY P-NUMBER LISTING (CONT'D)

P-No.	Grp. No.	Spec. No.	Type, Grade, or UNS No.	P-No.	Grp. No.	Spec. No.	Type, Grade, or UNS No.
Steel and Steel Alloys (Cont'd)				Steel and Steel Alloys (Cont'd)			
1	1	SA/EN 10028-2	295GH	1	2	SA-737	B
				1	2	SA-738	A
				1	2	SA-765	II
1	2	SA-105		1	3	SA-333	10
1	2	SA-106	C	1	3	SA-537	Cl. 2
1	2	SA-178	D	1	3	SA-537	Cl. 3
1	2	SA-181	Cl. 70	1	3	SA-671	CD80
1	2	SA-210	C	1	3	SA-672	D80
				1	3	SA-691	CMSH-80
1	2	SA-216	WCB				
1	2	SA-216	WCC	1	3	SA-737	C
1	2	SA-234	WPC	1	3	SA-738	B
1	2	SA-266	2	1	3	SA-738	C
1	2	SA-266	3				
1	2	SA-266	4	1	4	SA-724	A
1	2	SA-299		1	4	SA-724	B
1	2	SA-350	LF2	1	4	SA-724	C
1	2	SA-352	LCC				
1	2	SA-372	B	3	1	SA-204	A
				3	1	SA-209	T1
1	2	SA-414	F	3	1	SA-209	T1a
1	2	SA-414	G	3	1	SA-209	T1b
1	2	SA-455		3	1	SA-213	T2
1	2	SA-487	Gr. 16, Cl. A				
1	2	SA-508	1	3	1	SA-217	WC1
				3	1	SA-234	WP1
1	2	SA-508	1A	3	1	SA-250	T1
1	2	SA-515	70	3	1	SA-250	T1a
1	2	SA-516	70	3	1	SA-250	T1b
1	2	SA-537	Cl. 1				
1	2	SA-541	1	3	1	SA-250	T2
				3	1	SA-335	P1
1	2	SA-541	1A	3	1	SA-335	P2
1	2	SA-556	C2	3	1	SA-335	P15
1	2	SA-557	C2	3	1	SA-352	LC1
1	2	SA-660	WCB				
1	2	SA-660	WCC	3	1	SA-369	FP1
				3	1	SA-369	FP2
1	2	SA-662	C	3	1	SA-387	Gr. 2, Cl. 1
1	2	SA-671	CB70	3	1	SA-426	CP1
1	2	SA-671	CC70	3	1	SA-426	CP2
1	2	SA-671	CD70				
1	2	SA-671	CK75	3	1	SA-426	CP15
				3	1	SA-672	L65
1	2	SA-672	B70	3	1	SA-691	1/2CR
1	2	SA-672	C70	3	1	SA-691	CM-65
1	2	SA-672	D70				
1	2	SA-672	N75	3	2	SA-182	F1
1	2	SA-675	70	3	2	SA-182	F2
				3	2	SA-204	B
1	2	SA-691	CMS-75	3	2	SA-204	C
1	2	SA-691	CMSH-70	3	2	SA-302	A
1	2	SA-695	Type B, Gr. 40				
1	2	SA-696	C	3	2	SA-336	F1

NONMANDATORY APPENDIX D

APPENDIX D — NONMANDATORY P-NUMBER LISTING (CONT'D)

P-No.	Grp. No.	Spec. No.	Type, Grade, or UNS No.	P-No.	Grp. No.	Spec. No.	Type, Grade, or UNS No.
Steel and Steel Alloys (Cont'd)				Steel and Steel Alloys (Cont'd)			
3	2	SA-387	Gr. 2, Cl. 2	4	1	SA-234	WP11, Cl. 1
				4	1	SA-234	WP12, Cl. 1
3	2	SA-672	H75				
3	2	SA-672	L70	4	1	SA-250	T11
3	2	SA-672	L75	4	1	SA-335	P11
3	2	SA-691	1/2CR, Cl. 2	4	1	SA-335	P12
3	2	SA-691	CM-70	4	1	SA-336	F11, Cl. 2
3	2	SA-691	CM-75	4	1	SA-336	F11, Cl. 3
3	3	SA-302	B	4	1	SA-336	F11, Cl. 1
3	3	SA-302	C	4	1	SA-336	F12
3	3	SA-302	D	4	1	SA-369	FP11
3	3	SA-487	Gr. 2, Cl. A	4	1	SA-369	FP12
3	3	SA-487	Gr. 2, Cl. B	4	1	SA-387	11, Cl. 1
3	3	SA-487	Gr. 4, Cl. A				
3	3	SA-508	2, Cl. 1	4	1	SA-387	11, Cl. 2
3	3	SA-508	2, Cl. 2	4	1	SA-387	12, Cl. 1
				4	1	SA-387	12, Cl. 2
3	3	SA-508	3, Cl. 1	4	1	SA-426	CP11
3	3	SA-508	3, Cl. 2	4	1	SA-426	CP12
3	3	SA-508	4N, Cl. 3				
3	3	SA-533	Type A, Cl. 1	4	1	SA-541	11, Cl. 4
3	3	SA-533	Type A, Cl. 2	4	1	SA-691	1CR
				4	1	SA-691	1 1/4CR
3	3	SA-533	Type B, Cl. 1	4	1	SA-739	B11
3	3	SA-533	Type B, Cl. 2				
3	3	SA-533	Type C, Cl. 1	4	2	SA-333	4
3	3	SA-533	Type C, Cl. 2	4	2	SA-423	1
3	3	SA-533	Type D, Cl. 1	4	2	SA-423	2
3	3	SA-533	Type D, Cl. 2	5A	1	SA-182	F21
3	3	SA-541	2, Cl. 1	5A	1	SA-182	F22, Cl. 1
3	3	SA-541	2, Cl. 2	5A	1	SA-182	F22, Cl. 3
3	3	SA-541	3, Cl. 1	5A	1	SA-199	T4
3	3	SA-541	3, Cl. 2	5A	1	SA-199	T21
3	3	SA-672	H80	5A	1	SA-199	T22
3	3	SA-672	J80	5A	1	SA-213	T21
3	3	SA-672	J90	5A	1	SA-213	T22
				5A	1	SA-217	WC9
				5A	1	SA-234	WP22, Cl. 1
4	1	SA-182	F11, Cl. 1	5A	1	SA-250	T22
4	1	SA-182	F11, Cl. 2	5A	1	SA-335	P21
4	1	SA-182	F11, Cl. 3	5A	1	SA-335	P22
4	1	SA-182	F12, Cl. 1	5A	1	SA-336	F21, Cl. 3
4	1	SA-182	F12, Cl. 2	5A	1	SA-336	F21, Cl. 1
4	1	SA-199	T11				
4	1	SA-202	A				
4	1	SA-202	B	5A	1	SA-336	F22, Cl. 3
4	1	SA-213	T11	5A	1	SA-336	F22, Cl. 1
4	1	SA-213	T12	5A	1	SA-369	FP21
				5A	1	SA-369	FP22
4	1	SA-217	WC4	5A	1	SA-387	21, Cl. 1
4	1	SA-217	WC5				
4	1	SA-217	WC6	5A	1	SA-387	21, Cl. 2

2001 SECTION IX

APPENDIX D — NONMANDATORY P-NUMBER LISTING (CONT'D)

P-No.	Grp. No.	Spec. No.	Type, Grade, or UNS No.	P-No.	Grp. No.	Spec. No.	Type, Grade, or UNS No.
Steel and Steel Alloys (Cont'd)				Steel and Steel Alloys (Cont'd)			
5A	1	SA-387	22, Cl. 1	5C	1	SA-508	3V
5A	1	SA-387	22, Cl. 2	5C	1	SA-508	22, Cl. 3
5A	1	SA-426	CP21	5C	1	SA-541	3V
5A	1	SA-426	CP22	5C	1	SA-541	22V
5A	1	SA-691	2 $\frac{1}{4}$ CR	5C	1	SA-541	22, Cl. 3
5A	1	SA-691	3CR	5C	1	SA-542	A, Cl. 4
5A	1	SA-739	B22	5C	1	SA-542	A, Cl. 4a
5B	1	SA-182	F5	5C	1	SA-542	B, Cl. 4
5B	1	SA-182	F5a	5C	1	SA-542	B, Cl. 4a
5B	1	SA-182	F9	5C	1	SA-542	C, Cl. 4
5B	1	SA-199	T5	5C	1	SA-542	C, Cl. 4a
5B	1	SA-199	T9	5C	1	SA-542	D, Cl. 4a
5B	1	SA-213	T5	5C	1	SA-832	21V
5B	1	SA-213	T5b	5C	1	SA-832	22V
5B	1	SA-213	T5c	5C	3	SA-542	A, Cl. 3
5B	1	SA-213	T9	5C	3	SA-542	B, Cl. 3
5B	1	SA-217	C5	5C	3	SA-542	C, Cl. 3
5B	1	SA-217	C12	5C	4	SA-487	Gr. 8 Cl. B
5B	1	SA-234	WP5	5C	4	SA-487	Gr. 8 Cl. C
5B	1	SA-234	WP9	5C	4	SA-541	22, Cl. 4
5B	1	SA-335	P5	5C	4	SA-542	A, Cl. 1
5B	1	SA-335	P5b	5C	4	SA-542	B, Cl. 1
5B	1	SA-335	P5c	5C	4	SA-542	C, Cl. 1
5B	1	SA-335	P9	5C	5	SA-541	22, Cl. 5
5B	1	SA-336	F5	5C	5	SA-542	A, Cl. 2
5B	1	SA-336	F5A	5C	5	SA-542	B, Cl. 2
5B	1	SA-336	F9	5C	5	SA-542	C, Cl. 2
5B	1	SA-369	FP5	6	1	SA-182	F6a, Cl. 1
5B	1	SA-369	FP9	6	1	SA-240	410
5B	1	SA-387	5, Cl. 1	6	1	SA-268	TP410
5B	1	SA-387	5, Cl. 2	6	1	SA-479	403
5B	1	SA-426	CP5	6	1	SA-479	410
5B	1	SA-426	CP5b	6	2	SA-182	F429
5B	1	SA-426	CP9	6	2	SA-240	429
5B	1	SA-691	5CR	6	2	SA-268	TP429
5B	2	SA-182	F91	6	3	SA-182	F6a, Cl. 2
5B	2	SA-199	T91	6	3	SA-182	F6b
5B	2	SA-213	T91	6	3	SA-217	CA15
5B	2	SA-234	WP91	6	3	SA-336	F6
5B	2	SA-335	P91	6	3	SA-426	CPCA15
5B	2	SA-336	F91	6	3	SA-487	CA15 Cl. B
5B	2	SA-369	FP91	6	3	SA-487	CA15 Cl. C
5B	2	SA-387	Gr. 91, Cl. 2	6	3	SA-487	CA15 Cl. D
5C	1	SA-182	F3V	6	3	SA-487	CA15M Cl. A
5C	1	SA-182	F22V	6	4	SA-182	F6NM
5C	1	SA-336	F3V	6	4	SA-240	S41500
5C	1	SA-336	F22V	6	4	SA-268	S41500
5C	1	SA-487	Gr. 8 Cl. A	6	4		

NONMANDATORY APPENDIX D

APPENDIX D — NONMANDATORY P-NUMBER LISTING (CONT'D)

P- No.	Grp. No.	Spec. No.	Type, Grade, or UNS No.	P- No.	Grp. No.	Spec. No.	Type, Grade, or UNS No.
Steel and Steel Alloys (Cont'd)				Steel and Steel Alloys (Cont'd)			
6	4	SA-352	CA6NM	8	1	SA-182	F348
6	4	SA-479	414	8	1	SA-182	F348H
6	4	SA-479	S41500	8	1	SA-213	TP304
6	4	SA-487	CA6NM Cl. A	8	1	SA-213	TP304H
6	4	SA-487	CA6NM Cl. B	8	1	SA-213	TP304L
6	4	SA-731	S41500	8	1	SA-213	TP304LN
6	4	SA-815	S41500	8	1	SA-213	TP304N
7	1	SA-240	Type 405	8	1	SA-213	TP316
7	1	SA-240	Type 409	8	1	SA-213	TP316H
7	1	SA-240	Type 410S	8	1	SA-213	TP316L
7	1	SA-268	S40800	8	1	SA-213	TP316LN
7	1	SA-268	TP405	8	1	SA-213	TP316N
7	1	SA-268	TP409	8	1	SA-213	TP321
7	1	SA-268	TP430Ti	8	1	SA-213	TP321H
7	1	SA-479	405	8	1	SA-213	TP347
7	2	SA-182	F430	8	1	SA-213	TP347H
7	2	SA-240	S44400	8	1	SA-213	TP348
7	2	SA-240	Type 430	8	1	SA-213	TP348H
7	2	SA-240	Type 439	8	1	SA-213	XM-15
7	2	SA-268	18Cr-2Mo	8	1	SA-240	S30500
7	2	SA-268	TP430	8	1	SA-240	S30600
7	2	SA-268	TP439	8	1	SA-240	S31753
7	2	SA-479	430	8	1	SA-240	Type 302
7	2	SA-479	439	8	1	SA-240	Type 304
7	2	SA-479	S44400	8	1	SA-240	Type 304H
7	2	SA-731	18Cr-2Mo	8	1	SA-240	Type 304L
7	2	SA-731	TP439	8	1	SA-240	Type 304LN
7	2	SA-803	TP439	8	1	SA-240	Type 304N
8	1	SA-182	S30600	8	1	SA-240	Type 316
8	1	SA-182	F304	8	1	SA-240	Type 316Cb
8	1	SA-182	F304H	8	1	SA-240	Type 316H
8	1	SA-182	F304L	8	1	SA-240	Type 316L
8	1	SA-182	F304LN	8	1	SA-240	Type 316LN
8	1	SA-182	F304N	8	1	SA-240	Type 316N
8	1	SA-182	F316	8	1	SA-240	Type 316Ti
8	1	SA-182	F316H	8	1	SA-240	Type 317
8	1	SA-182	F316L	8	1	SA-240	Type 317L
8	1	SA-182	F316LN	8	1	SA-240	Type 321
8	1	SA-182	F316	8	1	SA-240	Type 321H
8	1	SA-182	F317	8	1	SA-240	Type 347
8	1	SA-182	F317L	8	1	SA-240	Type 347H
8	1	SA-182	F321	8	1	SA-240	Type 348
8	1	SA-182	F321H	8	1	SA-240	Type 348H
8	1	SA-182	F347	8	1	SA-240	Type XM-15
8	1	SA-182	F347H	8	1	SA-249	Type XM-21
							TP304

2001 SECTION IX

APPENDIX D — NONMANDATORY P-NUMBER LISTING (CONT'D)

P- No.	Grp. No.	Spec. No.	Type, Grade, or UNS No.	P- No.	Grp. No.	Spec. No.	Type, Grade, or UNS No.
Steel and Steel Alloys (Cont'd)				Steel and Steel Alloys (Cont'd)			
8	1	SA-249	TP304H	8	1	SA-336	F316LN
8	1	SA-249	TP304L	8	1	SA-336	F316N
8	1	SA-249	TP304LN	8	1	SA-336	F321
8	1	SA-249	TP304N	8	1	SA-336	F321H
8	1	SA-249	TP316	8	1	SA-336	F347
8	1	SA-249	TP316H	8	1	SA-336	F347H
8	1	SA-249	TP316L	8	1	SA-336	F348
8	1	SA-249	TP316LN	8	1	SA-336	F348H
8	1	SA-249	TP316N	8	1	SA-351	CF3
8	1	SA-249	TP317	8	1	SA-351	CF3A
8	1	SA-249	TP317L	8	1	SA-351	CF3M
8	1	SA-249	TP321	8	1	SA-351	CF8
8	1	SA-249	TP321H	8	1	SA-351	CF8A
8	1	SA-249	TP347	8	1	SA-351	CF8C
8	1	SA-249	TP347H	8	1	SA-351	CF8M
8	1	SA-249	TP348	8	1	SA-351	CF10
8	1	SA-249	TP348H	8	1	SA-351	CF10M
8	1	SA-249	TP XM-15	8	1	SA-351	CG8M
8	1	SA-312	S30600	8	1	SA-358	304
8	1	SA-312	TP304	8	1	SA-358	304H
8	1	SA-312	TP304H	8	1	SA-358	304L
8	1	SA-312	TP304L	8	1	SA-358	304LN
8	1	SA-312	TP304LN	8	1	SA-358	304N
8	1	SA-312	TP304N	8	1	SA-358	316
8	1	SA-312	TP316	8	1	SA-358	316H
8	1	SA-312	TP316H	8	1	SA-358	316L
8	1	SA-312	TP316L	8	1	SA-358	316LN
8	1	SA-312	TP316LN	8	1	SA-358	316N
8	1	SA-312	TP316N	8	1	SA-358	321
8	1	SA-312	TP317	8	1	SA-358	347
8	1	SA-312	TP317L	8	1	SA-358	348
8	1	SA-312	TP321	8	1	SA-376	16-8-2H
8	1	SA-312	TP321H	8	1	SA-376	TP304
8	1	SA-312	TP347	8	1	SA-376	TP304H
8	1	SA-312	TP347H	8	1	SA-376	TP304LN
8	1	SA-312	TP348	8	1	SA-376	TP304N
8	1	SA-312	TP348H	8	1	SA-376	TP316
8	1	SA-312	TP XM-15	8	1	SA-376	TP316H
8	1	SA-336	F304	8	1	SA-376	TP316LN
8	1	SA-336	F304H	8	1	SA-376	TP316N
8	1	SA-336	F304L	8	1	SA-376	TP321
8	1	SA-336	F304LN	8	1	SA-376	TP321H
8	1	SA-336	F304N	8	1	SA-376	TP347
8	1	SA-336	F316	8	1	SA-376	TP347H
8	1	SA-336	F316H	8	1	SA-376	TP348
8	1	SA-336	F316L	8	1	SA-376	16-8-2H

NONMANDATORY APPENDIX D

APPENDIX D — NONMANDATORY P-NUMBER LISTING (CONT'D)

P-No.	Grp. No.	Spec. No.	Type, Grade, or UNS No.	P-No.	Grp. No.	Spec. No.	Type, Grade, or UNS No.
Steel and Steel Alloys (Cont'd)				Steel and Steel Alloys (Cont'd)			
8	1	SA-403	WP304	8	1	SA-452	TP347H
8	1	SA-403	WP304H	8	1	SA-479	302
8	1	SA-403	WP304L	8	1	SA-479	304
8	1	SA-403	WP304LN	8	1	SA-479	304H
8	1	SA-403	WP304N	8	1	SA-479	304L
8	1	SA-403	WP316	8	1	SA-479	304LN
8	1	SA-403	WP316H	8	1	SA-479	304N
8	1	SA-403	WP316L	8	1	SA-479	316
8	1	SA-403	WP316LN	8	1	SA-479	316Cb
8	1	SA-403	WP316N	8	1	SA-479	316H
8	1	SA-403	WP317	8	1	SA-479	316L
8	1	SA-403	WP317L	8	1	SA-479	316LN
8	1	SA-403	WP321	8	1	SA-479	316N
8	1	SA-403	WP321H	8	1	SA-479	316Ti
8	1	SA-403	WP347	8	1	SA-479	321
8	1	SA-403	WP347H	8	1	SA-479	321H
8	1	SA-403	WP348	8	1	SA-479	347
8	1	SA-403	WP348H	8	1	SA-479	347H
8	1	SA-409	TP304	8	1	SA-479	348
8	1	SA-409	TP304L	8	1	SA-479	348H
8	1	SA-409	TP316	8	1	SA-479	S30600
8	1	SA-409	TP316L	8	1	SA-666	302
8	1	SA-409	TP317	8	1	SA-666	304
8	1	SA-409	TP321	8	1	SA-666	304L
8	1	SA-409	TP347	8	1	SA-666	304LN
8	1	SA-409	TP348	8	1	SA-666	304N
8	1	SA-430	FP304	8	1	SA-666	316
8	1	SA-430	FP304H	8	1	SA-666	316L
8	1	SA-430	FP304N	8	1	SA-666	316N
8	1	SA-430	FP316	8	1	SA-688	TP304
8	1	SA-430	FP316H	8	1	SA-688	TP304L
8	1	SA-430	FP316N	8	1	SA-688	TP304LN
8	1	SA-430	FP321	8	1	SA-688	TP304N
8	1	SA-430	FP321H	8	1	SA-688	TP316
8	1	SA-430	FP347	8	1	SA-688	TP316L
8	1	SA-430	FP347H	8	1	SA-688	TP316LN
8	1	SA-430	FP16-8-2H	8	1	SA-688	TP316N
8	1	SA-451	CPF3	8	1	SA-813	TP304
8	1	SA-451	CPF3A	8	1	SA-813	TP304H
8	1	SA-451	CPF3M	8	1	SA-813	TP304L
8	1	SA-451	CPF8	8	1	SA-813	TP304LN
8	1	SA-451	CPF8A	8	1	SA-813	TP304N
8	1	SA-451	CPF8C	8	1	SA-813	TP316
8	1	SA-451	CPF8M	8	1	SA-813	TP316H
8	1	SA-452	TP304H	8	1	SA-813	TP316L
8	1	SA-452	TP316H	8	1	SA-813	TP316LN

2001 SECTION IX

APPENDIX D — NONMANDATORY P-NUMBER LISTING (CONT'D)

P-No.	Grp. No.	Spec. No.	Type, Grade, or UNS No.	P-No.	Grp. No.	Spec. No.	Type, Grade, or UNS No.
Steel and Steel Alloys (Cont'd)				Steel and Steel Alloys (Cont'd)			
8	1	SA-813	TP316N	8	2	SA-240	Type 309S
8	1	SA-813	TP317	8	2	SA-240	Type 310Cb
8	1	SA-813	TP317L	8	2	SA-240	Type 310HCb
8	1	SA-813	TP321	8	2	SA-240	Type 310MoLN
8	1	SA-813	TP321H	8	2	SA-240	Type 310S
8	1	SA-813	TP347	8	2	SA-249	S30815
8	1	SA-813	TP347H	8	2	SA-249	TP309Cb
8	1	SA-813	TP348	8	2	SA-249	TP309H
8	1	SA-813	TP348H	8	2	SA-249	TP309HCb
8	1	SA-813	TPXM-15	8	2	SA-249	TP309S
8	1	SA-814	TP304	8	2	SA-249	TP310Cb
8	1	SA-814	TP304H	8	2	SA-249	TP310H
8	1	SA-814	TP304L	8	2	SA-249	TP310S
8	1	SA-814	TP304LN	8	2	SA-249	TP310MoLN
8	1	SA-814	TP304N	8	2	SA-312	S30815
8	1	SA-814	TP316	8	2	SA-312	TP309Cb
8	1	SA-814	TP316H	8	2	SA-312	TP309H
8	1	SA-814	TP316L	8	2	SA-312	TP309HCb
8	1	SA-814	TP316LN	8	2	SA-312	TP309S
8	1	SA-814	TP316N	8	2	SA-312	TP310Cb
8	1	SA-814	TP317	8	2	SA-312	TP310H
8	1	SA-814	TP317L	8	2	SA-312	TP310HCb
8	1	SA-814	TP321	8	2	SA-312	TP310S
8	1	SA-814	TP321H	8	2	SA-312	TP310MoLN
8	1	SA-814	TP347	8	2	SA-336	F310
8	1	SA-814	TP347H	8	2	SA-351	CH8
8	1	SA-814	TP348	8	2	SA-351	CH20
8	1	SA-814	TP348H	8	2	SA-351	CK20
8	1	SA-814	TPXM-15	8	2	SA-358	309
8	2	SA-182	F10	8	2	SA-358	309Cb
8	2	SA-182	F45	8	2	SA-358	309S
8	2	SA-182	F310	8	2	SA-358	310Cb
8	2	SA-213	S30815	8	2	SA-358	310S
8	2	SA-213	TP309Cb	8	2	SA-358	S30815
8	2	SA-213	TP309H	8	2	SA-403	WP309
8	2	SA-213	TP309S	8	2	SA-403	WP310
8	2	SA-213	TP310Cb	8	2	SA-409	S30815
8	2	SA-213	TP310S	8	2	SA-409	TP309Cb
8	2	SA-213	TP309HCb	8	2	SA-409	TP309S
8	2	SA-213	TP310H	8	2	SA-409	TP310Cb
8	2	SA-213	TP310MoLN	8	2	SA-409	TP310S
8	2	SA-213	TP310HCb	8	2	SA-451	CPH8
8	2	SA-240	S30815	8	2	SA-451	CPH20
8	2	SA-240	Type 309Cb	8	2	SA-451	CPK20
8	2	SA-240	Type 309H	8	2	SA-479	309Cb
8	2	SA-240	Type 309HCb	8	2	SA-479	309S

NONMANDATORY APPENDIX D

APPENDIX D — NONMANDATORY P-NUMBER LISTING (CONT'D)

01

P- No.	Grp. No.	Spec. No.	Type, Grade, or UNS No.	P- No.	Grp. No.	Spec. No.	Type, Grade, or UNS No.
Steel and Steel Alloys (Cont'd)				Steel and Steel Alloys (Cont'd)			
8	2	SA-479	310Cb	8	3	SA-479	XM-18
8	2	SA-479	310S	8	3	SA-479	XM-19
8	2	SA-479	S30815	8	3	SA-479	XM-29
8	2	SA-813	S30815	8	3	SA-666	201
8	2	SA-813	TP309Cb	8	3	SA-666	XM-11
8	2	SA-813	TP309S	8	3	SA-688	XM-29
8	2	SA-813	TP310Cb	8	3	SA-813	TPXM-11
8	2	SA-813	TP310S	8	3	SA-813	TPXM-19
8	2	SA-814	S30815	8	3	SA-813	TPXM-29
8	2	SA-814	TP309Cb	8	3	SA-814	TPXM-11
8	2	SA-814	TP309S	8	3	SA-814	TPXM-19
8	2	SA-814	TP310Cb	8	3	SA-814	TPXM-29
8	2	SA-814	TP310S				
8	3	SA-182	FXM-11	8	4	SA-182	F44
8	3	SA-182	FXM-19	8	4	SA-213	S01815
8	3	SA-213	TP201	8	4	SA-213	S31725
8	3	SA-213	TP202	8	4	SA-213	S31726
8	3	SA-213	XM-19	8	4	SA-240	S31254
8	3	SA-240	S20100	8	4	SA-240	S31725
				8	4	SA-240	S31726
8	3	SA-240	S21800	8	4	SA-249	S31254
8	3	SA-240	S20100	8	4	SA-249	S31725
8	3	SA-240	Type 202	8	4	SA-249	S31726
8	3	SA-240	S20400				
8	3	SA-240	Type XM-17	8	4	SA-312	S31254
8	3	SA-240	Type XM-17	8	4	SA-312	S31725
				8	4	SA-312	S31726
8	3	SA-240	Type XM-18	8	4	SA-336	F46
8	3	SA-240	Type XM-18	8	4	SA-351	J93254
8	3	SA-240	Type XM-19	8	4	SA-358	S31254
8	3	SA-240	Type XM-19				
8	3	SA-240	Type XM-29	8	4	SA-358	S31725
				8	4	SA-358	S31726
8	3	SA-249	TP201	8	4	SA-376	S31725
8	3	SA-249	TP202	8	4	SA-376	S31726
8	3	SA-249	TPXM-19	8	4	SA-403	S31254
8	3	SA-249	TPXM-29	8	4	SA-409	S31254
8	3	SA-312	TPXM-11				
				8	4	SA-409	S31725
8	3	SA-312	TPXM-19	8	4	SA-409	S31726
8	3	SA-312	TPXM-29	8	4	SA-479	S31254
8	3	SA-336	FXM-11	8	4	SA-479	S31725
8	3	SA-336	FXM-19	8	4	SA-479	S31726
8	3	SA-351	CG6MMN				
				8	4	SA-813	S31254
8	3	SA-358	XM-19	8	4	SA-814	S31254
8	3	SA-358	XM-29				
8	3	SA-403	WPXM-19	9A	1	SA-182	FR
8	3	SA-479	S21800	9A	1	SA-203	A
8	3	SA-479	XM-11	9A	1	SA-203	B
				9A	1	SA-234	WPR
8	3	SA-479	XM-17	9A	1	SA-333	7

2001 SECTION IX

01

APPENDIX D — NONMANDATORY P-NUMBER LISTING (CONT'D)

P-No.	Grp. No.	Spec. No.	Type, Grade, or UNS No.	P-No.	Grp. No.	Spec. No.	Type, Grade, or UNS No.
Steel and Steel Alloys (Cont'd)				Steel and Steel Alloys (Cont'd)			
9A	1	SA-333	9	10H	1	SA-790	S31200
9A	1	SA-334	7	10H	1	SA-790	S31260
9A	1	SA-334	9	10H	1	SA-790	S31500
9A	1	SA-350	LF5, Cl. 1				
9A	1	SA-350	LF5, Cl. 2	10H	1	SA-790	S31803
				10H	1	SA-790	S32304
9A	1	SA-350	LF9	10H	1	SA-790	S32550
9A	1	SA-352	LC2	10H	1	SA-790	S32750
9A	1	SA-420	WPL9	10H	1	SA-790	S32900
				10H	1	SA-790	S32950
9B	1	SA-203	D	10H	1	SA-815	S31803
9B	1	SA-203	E				
9B	1	SA-203	F	10I	1	SA-182	FXM-27Cb
9B	1	SA-333	3	10I	1	SA-240	S44635
9B	1	SA-334	3	10I	1	SA-240	Type XM-27
				10I	1	SA-240	Type XM-33
9B	1	SA-350	LF3, Cl. 2	10I	1	SA-268	25-4-4
9B	1	SA-352	LC3				
9B	1	SA-420	WPL3	10I	1	SA-268	TP446-1
9B	1	SA-765	III	10I	1	SA-268	TP446-2
				10I	1	SA-268	TPXM-27
9C	1	SA-352	LC4	10I	1	SA-268	TPXM-33
				10I	1	SA-336	FXM-27Cb
10A	1	SA-225	C				
10A	1	SA-225	D	10I	1	SA-479	XM-27
10A	1	SA-487	Gr. 1, Cl. A	10I	1	SA-731	TPXM-27
10A	1	SA-487	Gr. 1, Cl. B	10I	1	SA-731	TPXM-33
10B	1	SA-213	T17	10J	1	SA-240	S44700
				10J	1	SA-268	S44700
10C	1	SA-612		10J	1	SA-268	S44735
				10J	1	SA-479	S44700
10H	1	SA-182	F50	10J	1	SA-731	S44700
10H	1	SA-182	F51				
10H	1	SA-240	S31200	10K	1	SA-240	S44660
10H	1	SA-240	S31260	10K	1	SA-240	S44800
10H	1	SA-240	S31803	10K	1	SA-268	S44660
10H	1	SA-240	S32550	10K	1	SA-268	S44800
				10K	1	SA-479	S44800
10H	1	SA-240	S32950				
10H	1	SA-240	Type 329	10K	1	SA-731	S44660
10H	1	SA-351	CD4MCu	10K	1	SA-731	S44800
10H	1	SA-351	CE8MN	10K	1	SA-803	S44660
10H	1	SA-479	C32550				
				11A	1	SA-333	8
10H	1	SA-789	S31200	11A	1	SA-334	8
10H	1	SA-789	S31260	11A	1	SA-353	
10H	1	SA-789	S31500	11A	1	SA-420	WPL8
10H	1	SA-789	S31803	11A	1	SA-522	Type I
10H	1	SA-789	S32304				
10H	1	SA-789	S32550	11A	1	SA-522	Type II
				11A	1	SA-553	Type I
10H	1	SA-789	S32750	11A	1	SA-553	Type II
10H	1	SA-789	S32900	11A	2	SA-645	
10H	1	SA-789	S32950				

NONMANDATORY APPENDIX D

APPENDIX D — NONMANDATORY P-NUMBER LISTING (CONT'D)

P-No.	Grp. No.	Spec. No.	Type, Grade, or UNS No.	P-No.	Grp. No.	Spec. No.	Type, Grade, or UNS No.
Steel and Steel Alloys (Cont'd)				Aluminum and Aluminum-Base Alloys (Cont'd)			
11A	3	SA-487	Gr. 4, Cl. B	21		SB-247	A93003
11A	3	SA-487	Gr. 4, Cl. E	22		SB-209	A93004
11A	4	SA-533	Type A, Cl. 3	22		SB-209	A95052
11A	4	SA-533	Type B, Cl. 3	22		SB-209	A95154
11A	4	SA-533	Type C, Cl. 3	22		SB-209	A95254
11A	4	SA-533	Type D, Cl. 3	22		SB-209	A95454
11A	4	SA-672	J100	22		SB-209	A95652
11A	5	SA-352	LC2-1	22		SB-210	A95052
11A	5	SA-508	4N, Cl. 1	22		SB-210	A95154
11A	5	SA-508	4N, Cl. 2	22		SB-221	A95154
11A	5	SA-508	5, Cl. 1	22		SB-221	A95454
11A	5	SA-508	5, Cl. 2	22		SB-234	A95052
11A	5	SA-543	B Cl. 1	22		SB-234	A95454
11A	5	SA-543	B Cl. 3	22		SB-241	A95052
11A	5	SA-543	C Cl. 1	22		SB-241	A95454
11A	5	SA-543	C Cl. 3	23		SB-209	A96061
11B	1	SA-517	A	23		SB-210	A96061
11B	1	SA-592	A	23		SB-210	A96063
11B	2	SA-517	E	23		SB-211	A96061
11B	2	SA-592	E	23		SB-221	A96061
11B	3	SA-517	F	23		SB-221	A96063
11B	3	SA-592	F	23		SB-234	A96061
11B	4	SA-517	B	23		SB-241	A96061
11B	6	SA-517	J	23		SB-241	A96063
11B	8	SA-517	P	23		SB-247	A96061
11B	10	SA-543	B Cl. 2	23		SB-308	A96061
11B	10	SA-543	C Cl. 2	25		SB-209	A95083
Aluminum and Aluminum-Base Alloys				25		SB-209	A95086
21		SB-209	A91060	25		SB-209	A95456
21		SB-209	A91100	25		SB-221	A95083
21		SB-209	A93003	25		SB-241	A95456
21		SB-210	A91060	25		SB-241	A95086
21		SB-210	A93003	25		SB-247	A95083
21		SB-221	A91060	Copper and Copper-Base Alloys			
21		SB-221	A91100	31		SB-42	C10200
21		SB-221	A93003	31		SB-42	C12000
21		SB-234	A91060	31		SB-42	C12200
21		SB-234	A93003	31		SB-75	C10200
21		SB-241	A91060	31		SB-75	C12000
21		SB-241	A91100	31		SB-75	C12200
21		SB-241	A93003	31		SB-75	C14200
				31		SB-111	C10200
				31		SB-111	C12000

2001 SECTION IX

APPENDIX D — NONMANDATORY P-NUMBER LISTING (CONT'D)

P- No.	Grp. No.	Spec. No.	Type, Grade, or UNS No.	P- No.	Grp. No.	Spec. No.	Type, Grade, or UNS No.
Copper and Copper-Base Alloys (Cont'd)				Copper and Copper-Base Alloys (Cont'd)			
31		SB-111	C12200	32		SB-395	C44300
				32		SB-395	C44400
31		SB-111	C14200	32		SB-395	C44500
31		SB-111	C19200	32		SB-395	C68700
31		SB-152	C10200	32		SB-543	C23000
31		SB-152	C10400				
				32		SB-543	C44300
31		SB-152	C10500	32		SB-543	C44400
31		SB-152	C10700	32		SB-543	C44500
31		SB-152	C11000	32		SB-543	C68700
31		SB-152	C12200				
31		SB-152	C12300	33		SB-96	C65500
31		SB-152	C12500	33		SB-98	C65100
				33		SB-98	C65500
31		SB-152	C14200	33		SB-98	C66100
31		SB-187	C10200	33		SB-315	C65500
31		SB-187	C11000				
31		SB-359	C10200	34		SB-111	C70400
31		SB-359	C12000	34		SB-111	C70600
31		SB-359	C12200	34		SB-111	C71000
31		SB-359	C14200	34		SB-111	C71500
				34		SB-111	C71640
31		SB-359	C19200				
31		SB-395	C10200	34		SB-111	C72200
31		SB-395	C12000	34		SB-151	C70600
31		SB-395	C12200	34		SB-171	C70600
31		SB-395	C14200	34		SB-171	C71500
				34		SB-359	C70400
31		SB-395	C19200				
31		SB-543	C12200	34		SB-359	C70600
31		SB-543	C19400	34		SB-359	C71000
				34		SB-359	C71500
32		SB-43	C23000	34		SB-369	C96200
32		SB-111	C23000	34		SB-395	C70600
32		SB-111	C28000				
32		SB-111	C44300	34		SB-395	C71000
32		SB-111	C44400	34		SB-395	C71500
				34		SB-466	C70600
32		SB-111	C44500	34		SB-466	C71000
32		SB-111	C68700	34		SB-466	C71500
32		SB-135	C23000				
32		SB-171	C36500	34		SB-467	C70600
32		SB-171	C44300	34		SB-467	C71500
32		SB-171	C44400	34		SB-543	C70400
32		SB-171	C44500	34		SB-543	C70600
				34		SB-543	C71500
32		SB-171	C46400				
32		SB-171	C46500	34		SB-543	C71640
32		SB-359	C23000				
				35		SB-111	C60800
32		SB-359	C44300	35		SB-148	C95200
32		SB-359	C44400	35		SB-148	C95400
32		SB-359	C44500	35		SB-150	C61400
32		SB-359	C68700	35		SB-150	C62300
32		SB-395	C23000				

NONMANDATORY APPENDIX D

APPENDIX D — NONMANDATORY P-NUMBER LISTING (CONT'D)

01

P- No.	Grp. No.	Spec. No.	Type, Grade, or UNS No.	P- No.	Grp. No.	Spec. No.	Type, Grade, or UNS No.
Copper and Copper-Base Alloys (Cont'd)				Nickel and Nickel-Base Alloys (Cont'd)			
35		SB-150	C63000	43		SB-564	N06625
35		SB-150	C64200	43		SB-564	N06690
35		SB-169	C61400	43		SB-572	N06002
35		SB-171	C61400	43		SB-619	N06002
35		SB-171	C63000	43		SB-622	N06002
				43		SB-626	N06002
35		SB-271	C95200	43		SB-704	N06625
35		SB-271	C95400	43		SB-705	N06625
35		SB-359	C60800				
35		SB-395	C60800	44		SB-333	N10001
35		SB-505	C95200	44		SB-333	N10629
Nickel and Nickel-Base Alloys				44		SB-333	N10665
41		SB-160	N02200	44		SB-333	N10675
41		SB-160	N02201	44		SB-335	N10001
41		SB-161	N02200	44		SB-335	N10629
41		SB-161	N02201	44		SB-335	N10665
41		SB-162	N02200	44		SB-335	N10675
				44		SB-366	N06022
41		SB-162	N02201	44		SB-366	N06059
41		SB-163	N02200	44		SB-366	N06645
41		SB-163	N02201	44		SB-366	N10001
41		SB-366	N02200	44		SB-366	N10003
41		SB-366	N02201	44		SB-366	N10276
				44		SB-366	N10629
42		SB-127	N04400	44		SB-366	N10665
42		SB-163	N04400	44		SB-366	N10675
42		SB-164	N04400	44		SB-434	N10003
42		SB-164	N04405	44		SA-494	N26022
42		SB-165	N04400				
42		SB-366	N04400	44		SB-564	N06022
42		SB-564	N04400	44		SB-564	N06059
				44		SB-564	N10276
43		SB-163	N06600	44		SB-564	N10629
43		SB-163	N06690	44		SB-564	N10675
43		SB-166	N06600	44		SB-573	N10003
43		SB-166	N06690	44		SB-574	N06022
43		SB-167	N06600	44		SB-574	N06059
				44		SB-574	N06455
43		SB-167	N06690	44		SB-574	N10276
43		SB-168	N06600				
43		SB-168	N06690	44		SB-575	N06022
43		SB-366	N06002	44		SB-575	N06059
43		SB-366	N06600	44		SB-575	N06455
43		SB-366	N06625	44		SB-575	N10276
43		SB-435	N06002	44		SB-619	N06022
43		SB-443	N06625	44		SB-619	N06059
				44		SB-619	N06455
43		SB-444	N06625				
43		SB-446	N06625	44		SB-619	N10001
43		SB-516	N06600	44		SB-619	N10276
43		SB-517	N06600	44		SB-619	N10629
43		SB-564	N06600	44		SB-619	N10665
				44		SB-619	N10675
				44		SB-622	N06022

2001 SECTION IX

01

APPENDIX D — NONMANDATORY P-NUMBER LISTING (CONT'D)

P- No.	Grp. No.	Spec. No.	Type, Grade, or UNS No.	P- No.	Grp. No.	Spec. No.	Type, Grade, or UNS No.
Nickel and Nickel-Base Alloys (Cont'd)				Nickel and Nickel-Base Alloys (Cont'd)			
44		SB-622	N06059	45		SB-464	N08020
44		SB-622	N06455	45		SB-464	N08024
				45		SB-464	N08026
44		SB-622	N10001	45		SB-468	N08020
44		SB-622	N10276				
44		SB-622	N10629	45		SB-468	N08024
44		SB-622	N10665	45		SB-468	N08026
44		SB-622	N10675	45		SB-473	N08020
44		SB-626	N06022	45		SB-514	N08800
44		SB-626	N06059	45		SB-514	N08810
44		SB-626	N06455				
				45		SB-515	N08800
44		SB-626	N10001	45		SB-515	N08810
44		SB-626	N10276	45		SB-515	N08811
44		SB-626	N10629	45		SB-564	N08031
44		SB-626	N10665	45		SB-564	N08367
44		SB-626	N10675	45		SB-564	N08800
45		SB-163	N08800	45		SB-564	N08810
45		SB-163	N08810	45		SB-564	N08811
45		SB-163	N08811	45		SB-564	R20033
45		SB-163	N08825	45		SB-572	R30556
45		SA-351	CN3MN				
45		SA-351	N08007	45		SB-581	N06007
45		SA-351	N08151	45		SB-581	N06030
45		SB-366	N06007	45		SB-581	N06975
45		SB-366	N06030	45		SB-581	N06985
45		SB-366	N06985	45		SB-581	N08031
45		SB-366	N08020	45		SB-582	N06007
45		SB-366	N08031				
45		SB-366	N08800	45		SB-582	N06030
45		SB-366	N08825	45		SB-582	N06975
45		SB-366	N08925	45		SB-582	N06985
45		SB-366	R20033	45		SB-599	N08700
45		SB-407	N08800	45		SB-619	N06007
45		SB-407	N08810	45		SB-619	N06030
45		SB-407	N08811	45		SB-619	N06975
45		SB-408	N08800	45		SB-619	N06985
45		SB-408	N08810	45		SB-619	N08031
45		SB-408	N08811	45		SB-619	N08320
				45		SB-619	R20033
45		SB-409	N08800	45		SB-619	R30556
45		SB-409	N08810				
45		SB-409	N08811	45		SB-620	N08320
45		SB-423	N08825	45		SB-621	N08320
45		SB-424	N08825	45		SB-622	N06007
				45		SB-622	N06030
45		SB-425	N08825	45		SB-622	N06975
45		SB-435	R30556				
45		SB-462	N08020	45		SB-622	N06985
45		SB-462	N08367	45		SB-622	N08031
45		SB-463	N08020	45		SB-622	N08320
45		SB-463	N08024	45		SB-622	R20033
				45		SB-622	R30556
45		SB-463	N08026	45		SB-625	N08031

NONMANDATORY APPENDIX D

APPENDIX D — NONMANDATORY P-NUMBER LISTING (CONT'D)

01

P-No.	Grp. No.	Spec. No.	Type, Grade, or UNS No.	P-No.	Grp. No.	Spec. No.	Type, Grade, or UNS No.
Nickel and Nickel-Base Alloys (Cont'd)				Nickel and Nickel-Base Alloys (Cont'd)			
45		SB-625	N08904	47		SB-366	N06230
45		SB-625	N08925	47		SB-435	N06230
45		SB-625	R20033	47		SB-564	N06230
45		SB-626	N06007	47		SB-572	N06230
45		SB-626	N06030	47		SB-619	N06230
45		SB-626	N06975	47		SB-622	N06230
45		SB-626	N06985	47		SB-626	N06230
45		SB-626	N08031	Titanium and Titanium-Base Alloys			
45		SB-626	N08320	51		SB-265	R50250
45		SB-626	R20033	51		SB-265	R50400
45		SB-626	R30556	51		SB-265	R52250
45		SB-649	N08904	51		SB-265	R52252
45		SB-649	N08925	51		SB-265	R52400
45		SB-649	R20033	51		SB-265	R52402
45		SB-668	N08028	51		SB-338	R50250
45		SB-672	N08700	51		SB-338	R50400
45		SB-673	N08904	51		SB-338	R52400
45		SB-673	N08925	51		SB-338	R52402
45		SB-674	N08904	51		SB-348	R50250
45		SB-674	N08925	51		SB-348	R50400
45		SB-675	N08366	51		SB-348	R50402
45		SB-675	N08367	51		SB-348	R52400
45		SB-676	N08366	51		SB-363	R50250
45		SB-676	N08367	51		SB-363	R50400
45		SB-677	N08904	51		SB-363	R52400
45		SB-677	N08925	51		SB-367	R50400
45		SB-688	N08366	51		SB-381	R50250
45		SB-688	N08367	51		SB-381	R50400
45		SB-690	N08366	51		SB-381	R50402
45		SB-690	N08367	51		SB-381	R52400
45		SB-691	N08366	51		SB-861	R50250
45		SB-691	N08367	51		SB-861	R50400
45		SB-704	N08825	51		SB-861	R52400
45		SB-705	N08825	51		SB-862	R50250
45		SB-709	N08028	51		SB-862	R50400
45		SB-729	N08020	51		SB-862	R52400
46		SB-166	N06045	52		SB-265	R50550
46		SB-167	N06045	52		SB-265	R53400
46		SB-168	N06045	52		SB-338	R50550
46		SB-366	N06045	52		SB-338	R53400
46		SB-366	N08330	52		SB-348	R50550
46		SB-511	N08330	52		SB-348	R53400
46		SB-516	N06045	52		SB-363	R50550
46		SB-517	N06045	52		SB-363	R53400
46		SB-535	N08330	52		SB-367	R50550
46		SB-536	N08330	52		SB-381	R50550
46		SB-564	N06045	52		SB-381	R53400
46		SB-710	N08330	52		SB-861	R50550

2001 SECTION IX

01

APPENDIX D — NONMANDATORY P-NUMBER LISTING (CONT'D)

P- No.	Grp. No.	Spec. No.	Type, Grade, or UNS No.	P- No.	Grp. No.	Spec. No.	Type, Grade, or UNS No.
Titanium and Titanium-Base Alloys (Cont'd)				Zirconium and Zirconium-Base Alloys			
52		SB-861	R53400	61		SB-493	R60702
52		SB-862	R50550	61		SB-523	R60702
52		SB-862	R53400	61		SB-550	R60702
				61		SB-551	R60702
53		SB-265	R56320	61		SB-658	R60702
53		SB-338	R56320				
53		SB-348	R56320	62		SB-493	R60705
53		SB-363	R56320	62		SB-523	R60705
				62		SB-550	R60705
53		SB-381	R56320	62		SB-551	R60705
53		SB-861	R56320	62		SB-658	R60705
53		SB-862	R56320				

APPENDIX E—MANDATORY PERMITTED SWPSs

The following Standard Welding Procedure Specifications may be used under the conditions given in Article V.

Specification	Designation
Carbon Steel	
Shielded Metal Arc Welding	
Standard Welding Procedure Specification for Shielded Metal Arc Welding of Carbon Steel (M-1/P-1/S-1, Group 1 or 2), $\frac{1}{8}$ through $1\frac{1}{2}$ inch Thick, E7018, As-Welded or PWHT Condition	B2.1-1-016-94
Standard Welding Procedure Specification for Shielded Metal Arc Welding of Carbon Steel (M-1/P-1/S-1, Group 1 or 2), $\frac{1}{8}$ through $1\frac{1}{2}$ inch Thick, E6010, As-Welded or PWHT Condition	B2.1-1-017-94
Standard Welding Procedure Specification for Shielded Metal Arc Welding of Carbon Steel (M-1/P-1/S-1, Group 1 or 2), $\frac{1}{8}$ through $1\frac{1}{2}$ inch Thick, E6010 (Vertical Uphill) Followed by E7018, As-Welded or PWHT Condition	B2.1-1-022-94
Standard Welding Procedure Specification for Shielded Metal Arc Welding of Carbon Steel (M-1/P-1/S-1, Group 1 or 2), $\frac{1}{8}$ through $1\frac{1}{2}$ inch Thick, E6010 (Vertical Downhill) Followed by E7018, As-Welded or PWHT Condition	B2.1-1-026-94
Combination GTAW and SMAW	
Standard Welding Procedure Specification for Gas Tungsten Arc Welding Followed by Shielded Metal Arc Welding of Carbon Steel (M-1/P-1/S-1, Group 1 or 2), $\frac{1}{8}$ through $1\frac{1}{2}$ inch Thick, ER70S-2 and E7018, As-Welded or PWHT Condition	B2.1-1-021-94
Carbon Steel — Primarily Pipe Applications	
Shielded Metal Arc Welding	
Standard Welding Procedure Specification (WPS) for Shielded Metal Arc Welding of Carbon Steel (M-1/P-1/S-1, Group 1 or 2), $\frac{1}{8}$ through $\frac{3}{4}$ inch Thick, E6010 (Vertical Uphill) Followed by E7018 (Vertical Uphill), As-Welded Condition, Primarily Pipe Applications	B2.1-1-201-96
Standard Welding Procedure Specification (WPS) for Shielded Metal Arc Welding of Carbon Steel (M-1/P-1/S-1, Group 1 or 2), $\frac{1}{8}$ through $\frac{3}{4}$ inch Thick, E6010 (Vertical Downhill) Followed by E7018 (Vertical Uphill), As-Welded Condition, Primarily Pipe Applications	B2.1-1-202-96
Standard Welding Procedure Specification (WPS) for Shielded Metal Arc Welding of Carbon Steel (M-1/P-1/S-1, Group 1 or 2), $\frac{1}{8}$ through $\frac{3}{4}$ inch Thick, E6010 (Vertical Uphill), As-Welded Condition, Primarily Pipe Applications	B2.1-1-203-96
Standard Welding Procedure Specification (WPS) for Shielded Metal Arc Welding of Carbon Steel (M-1/P-1/S-1, Group 1 or 2), $\frac{1}{8}$ through $\frac{3}{4}$ inch Thick, E6010 (Vertical Downhill Root with the Balance Vertical Uphill), As-Welded Condition, Primarily Pipe Applications	B2.1-1-204-96
Standard Welding Procedure Specification (WPS) for Shielded Metal Arc Welding of Carbon Steel (M-1/P-1/S-1, Group 1 or 2), $\frac{1}{8}$ through $1\frac{1}{2}$ inch Thick, E6010 (Vertical Uphill) Followed by E7018 (Vertical Uphill), As-Welded or PWHT Condition, Primarily Pipe Applications	B2.1-1-205-96

2001 SECTION IX

Specification	Designation
Carbon Steel — Primarily Pipe Applications (cont'd)	
Standard Welding Procedure Specification (WPS) for Shielded Metal Arc Welding of Carbon Steel (M-1/P-1/S-1, Group 1 or 2), $\frac{1}{8}$ through $1\frac{1}{2}$ inch Thick, E6010 (Vertical Downhill) Followed by E7018 (Vertical Uphill), As-Welded or PWHT Condition, Primarily Pipe Applications	B2.1-1-206-96
Standard Welding Procedure Specification (WPS) for Shielded Metal Arc Welding of Carbon Steel (M-1/P-1/S-1, Group 1 or 2), $\frac{1}{8}$ through $1\frac{1}{2}$ inch Thick, E7018, As-Welded or PWHT Condition, Primarily Pipe Applications	B2.1-1-208-96
Gas Tungsten Arc Welding	
Standard Welding Procedure Specification (WPS) for Gas Tungsten Arc Welding of Carbon Steel (M-1/P-1/S-1, Group 1 or 2), $\frac{1}{8}$ through $1\frac{1}{2}$ inch Thick, ER70S-2, As-Welded or PWHT Condition, Primarily Pipe Applications	B2.1-1-207-96
Combination GTAW and SMAW	
Standard Welding Procedure Specification (WPS) for Gas Tungsten Arc Welding Followed by Shielded Metal Arc Welding of Carbon Steel (M-1/P-1/S-1, Group 1 or 2), $\frac{1}{8}$ through $1\frac{1}{2}$ inch Thick, ER70S-2 and E7018, As-Welded or PWHT Condition, Primarily Pipe Applications	B2.1-1-209-96
Austenitic Stainless Steel Plate and Pipe	
Shielded Metal Arc Welding	
Standard Welding Procedure Specification for Shielded Metal Arc Welding of Austenitic Stainless Steel (M-8/P-8/S-8, Group 1), $\frac{1}{8}$ through $1\frac{1}{2}$ inch Thick, As-Welded Condition	B2.1-1-023-94
Austenitic Stainless Steel Primarily Pipe Applications	
Shielded Metal Arc Welding	
Standard Welding Procedure Specification (WPS) for Shielded Metal Arc Welding of Austenitic Stainless Steel (M-8/P-8/S-8, Group 1), $\frac{1}{8}$ through $1\frac{1}{2}$ inch Thick, E3XX-XX, As-Welded Condition	B2.1-8-213-97
Gas Tungsten Arc Welding	
Standard Welding Procedure Specification (WPS) for Gas Tungsten Arc Welding, with Consumable Insert of Austenitic Stainless Steel (M-8/P-8/S-8, Group 1), $\frac{1}{8}$ through $1\frac{1}{2}$ inch Thick, IN3XX and ER3XX, As-Welded Condition	B2.1-8-215-98

SI UNITS

The 2001 Edition of the Boiler and Pressure Vessel Code is based on U.S. Customary (ft-lb) units of measurement which are to be regarded as the standard. This supplement is provided as a convenience to the Code user and contains SI conversion factors for units contained in the Code.

LIST OF SI UNITS FOR USE WITH ASME BOILER AND PRESSURE VESSEL CODE¹

Quantity	Unit	Symbol	Other Units or Limitations
Space and Time			
plane angle	radian	rad	degree (decimalized)
length	meter	m	
area	square meter	m ²	
volume	cubic meter	m ³	liter (L) for liquid only (use without prefix other than in milliliter, mL)
time	second	s	minute (min), hour (h), day (d), week, and year
Periodic and Related Phenomena			
frequency	hertz	Hz	revolutions per second (r/s)
rotational frequency	revolutions per second	s ⁻¹	revolutions per minute (r/m)
Mechanics			
mass	kilogram	kg	
density	kilogram per cubic meter	kg/m ³	
moment of inertia	kilogram · meter ²	kg · m ²	
force	newton	N	
moment of force (torque)	newton-meter	N · m	
pressure and stress	pascal	Pa	(pascal = newton per square meter)
energy, work	joule	J	kilowatt-hour (kW · h)
power	watt	W	
impact strength	joule	J	
section modulus	meter ³	m ³	
moment of section (second moment of area)	meter ⁴	m ⁴	
fracture toughness	Pa · √m		
Heat			
temperature — thermodynamic [Note (2)]	kelvin	K	degree Celsius (°C)
temperature — other than thermodynamic	degree Celsius	°C	kelvin (K)
linear expansion coefficient	meter per meter-kelvin	K ⁻¹	°C ⁻¹
quantity of heat	joule	J	
heat flow rate	watt	W	
thermal conductivity	watt per meter-kelvin	W/(m · K)	W/(m · °C)
thermal diffusivity	square meter per second	m ² /s	
specific heat capacity	joule per kilogram-kelvin	J/(kg · K)	J/(kg · °C)
Electricity and Magnetism			
electric current	ampere	A	
electric potential	volt	V	
current density	ampere per meter ²	A/m ²	
magnetic field strength	ampere per meter	A/m	

NOTES:

- (1) Conversion factors between SI units and U.S. customary are given in SI-1, "ASME Orientation and Guide for Use of SI (Metric) Units," and ASTM E 380.
- (2) Preferred use for temperature and temperature interval is degrees Celsius (°C), except for thermodynamic and cryogenic work where kelvins may be more suitable. For temperature interval, 1 K = 1°C exactly.

COMMONLY USED CONVERSION FACTORS
(For Others See ASTM E 380) [See Note (1)]

Quantity	To Convert From	To	Multiply by [Note (2)]	
plane angle	degree	rad	1.745 329	E-02
length	in	m	2.54*	E-02
	ft	m	3.048*	E-01
	yd	m	9.144*	E-01
area	in ²	m ²	6.451 6*	E-04
	ft ²	m ²	9.290 304*	E-02
	yd ²	m ²	8.361 274	E-01
volume	in ³	m ³	1.638 706	E-05
	ft ³	m ³	2.831 685	E-02
	US gallon	m ³	3.785 412	E-03
	Imperial gallon	m ³	4.546 09	E-03
	liter	m ³	1.0*	E-03
mass	lbm	kg	4.535 924	E-01
	ton (metric) (mass)	kg	1.000 00*	E+03
	ton (short 2000 lbm)	kg	9.071 847	E+02
force	kgf	N	9.806 65*	E+00
	lbf	N	4.448 222	E+00
bending, torque	kgf · m	N · m	9.806 65*	E+00
	lbf · in	N · m	1.129 848	E-01
	lbf · ft	N · m	1.355 818	E+00
pressure, stress	kgf/m ²	Pa	9.806 65*	E+00
	lbf/ft ²	Pa	4.788 026	E+01
	lbf/in ² (psi)	Pa	6.894 757	E+03
	kips/in ²	Pa	6.894 757	E+06
	bar	Pa	1.0*	E+05
energy, work	Btu (IT) [Note (3)]	J	1.055 056	E+03
	ft · lbf	J	1.355 818	E+00
power	hp (550 ft · lbf/s)	W	7.456 999	E+02
fracture toughness	ksi $\sqrt{\text{in}}$	Pa · $\sqrt{\text{m}}$	1.098 843	E+06
temperature	°C	K	$t_K = t_C + 273.15$	
	°F	K	$t_K = (t_F + 459.67)/1.8$	
	°F	°C	$t_C = (t_F - 32)/1.8$	
temperature interval	°C	K	1.0*	E+00
	°F	K or °C	5.555 555	E-01

NOTES:

- (1) Care should be taken when converting formulas or equations that contain constant terms or factors. The value of these terms must be understood and may also require conversion.
- (2)(a) Relationships that are exact in terms of the base units are followed by a single asterisk.
- (b) The factors are written as a number greater than 1 and less than 10 with 6 or less decimal places. The number is followed by the letter E (for exponent), a plus or minus symbol, and two digits which indicate the power of 10 by which the number must be multiplied to obtain the correct value. For example: 3.523 907 E-02 is $3.523\ 907 \times 10^{-2}$ or 0.035 239 07.
- (3) International Table

INDEX

PART QW

- A-Numbers (listing) QW-442
- Acceptance criteria
 - tension tests QW-153
 - bend tests QW-163
 - notch toughness QW-171.2, QW-172.2
 - bend and hammer tests QW-192.2
 - torque test QW-192.3
- Addenda (issuance of) QW-100.3
- requalification of procedures QW-100.3
- Aluminum alloys QW/QB-422
- Austenitic stainless steels QW/QB-422
- AWS (reference to) QW-102

- Backing (pertaining to performance
 - qualification) QW-303.2, QW-303.3, QW-310.2, QW-310.3
 - Part IV — data QW-402.2, QW-402.3, QW-402.4, QW-402.5, QW-402.7
 - definition QW-492
- Backing gas QW-408.5, QW-408.8
- Base metals (definition) QW-492
- corrosion-resistance overlay cladding (pertaining to procedure qualification) QW-214.1
- groove and fillet welds (pertaining to procedure qualification) QW-202.2, QW-211
- stud welding QW-202.3
- variable QW-403

- Carbon steels QW/QB-422
- Combination of welding processes or procedures
 - pertaining to performance qualification QW-306
- Consumable inserts QW-404.22
- Copper (copper-base alloys) QW/QB-422
- Corrosion-resistant overlay cladding (pertaining to procedure qualification) QW-381
- Pertaining to performance qualification QW-381

- Definitions QW-102, QW-490
- Description of Section IX QW-100

- Dimensions
 - of welding groove with backing for performance qualification QW-310.2
 - of welding groove without backing for performance qualification QW-310.3
 - of tension test specimen QW-462.1
 - of bend test specimen QW-462.2
 - of test jigs QW-466
 - of groove welds for procedure qualification QW-212
- Drawings (*see* Graphics)

- Electrical characteristics QW-409
- Electrogas welding (definition) QW-492
- variables for procedure qualifications QW-259
- Electronbeaming (pertaining to procedure qualification) QW-215
- definition QW-492
- variables for procedure qualification QW-260
- variables for performance qualification QW-362
- Electroslag welding (definition) QW-492
- variables for procedure qualification QW-258
- Essential variables (performance) QW-401.2
- procedure QW-251.2, QW-401.1
- Etching QW-470

- Filler metals (pertaining to procedure qualification) QW-211, QW-404
- Fillet-weld tests QW-180
- Flat position (definition) QW-121.1, QW-122.1, QW-131.1, QW-132.1
- Flux QW-404.9
- F-Numbers (listing) QW-430
- Forms (suggested) Appendix B
- Fracture tests QW-182
- Full-section specimens QW-151.4

- Gas QW-408
- Gas tungsten-arc welding (definition) QW-492
- variables for procedure qualification QW-256
- variables for performance qualification QW-356
- Gas welding (definition) QW-492
- variables for procedure qualification QW-256
- variables for performance qualification QW-356

INDEX

- Graphics QW-460
- test positions QW-461
 - groove welds in plate QW-461.3
 - groove welds in pipe QW-451.4
 - fillet welds in plate QW-461.5
 - fillet welds in pipe QW-461.6
 - stud welds QW-461.7
- test specimens QW-462
 - tension — reduced section — plate QW-462.1(a)
 - tension — reduced section — pipe QW-462.1(b)
 - tension — reduced section — pipe
 - alternate QW-462.1(c)
 - tension — reduced section — turned
 - specimen QW-462.1(d)
 - tension — full section — small diameter
 - pipe QW-462.1(e)
 - side bend QW-462.2
 - face and root bends transverse QW-462.3(a)
 - face and root bends longitudinal QW-462.3(b)
 - fillet welds — procedure QW-462.4(a)
 - fillet welds — performance QW-462.4(b)
 - fillet welds in pipe — performance QW-462.4(c)
 - fillet welds in pipe — procedure QW-462.4(d)
 - corrosion-resistant overlay QW-462.5
 - composite test plates QW-462.6
 - spot welds QW-462.8–QW-462.11
- order of removal QW-463
 - plates — procedure qualification QW-463.1(a)
 - plates — procedure qualification
 - alternate QW-463.1(b)
 - plates — procedure qualification
 - longitudinal QW-463.1(c)
 - pipe — procedure qualification QW-463.1(d)
 - pipe — procedure qualification
 - alternate QW-463.1(e)
 - pipe — notch toughness specimen
 - location QW-463.1(f)
 - plate — procedure qualification QW-463.2(a)
 - plate — procedure qualification
 - alternate QW-463.2(b)
 - plate — procedure qualification
 - longitudinal QW-463.2(c)
 - pipe — performance qualification QW-463.2(d)
 - pipe — performance qualification
 - alternate QW-463.2(e)
 - pipe — performance qualification 10 in.
 - diameter QW-463.2(f)
 - pipe — performance qualification 6 in. or 8 in.
 - diameter QW-463.2(g)
 - pipe — performance qualification fillet
 - weld QW-463.2(h)
- test jigs QW-466
 - guided-bend QW-466.1
 - guided-bend roller jig QW-466.2
 - guided-bend wrap around QW-466.3
 - stud weld bend jig QW-466.4
 - torque testing arrangement QW-466.5
 - tensile test for studs QW-466.6
 - typical test joints QW-469
 - butt joint QW-469.1
 - alternative butt joint QW-469.2
- Groove welds (pertaining to performance
 - qualification) QW-303.1
 - with backing QW-310.2
 - without backing QW-310.3
- Guided-bend jig QW-466.1
- Guided-bend roller jig QW-466.2
- Guided-bend test (*see* Tests)
- Guided-bend wrap around jig QW-466.3
- Hard-facing overlay (pertaining to procedure
 - qualification) QW-216
- Horizontal position QW-121.2, QW-122.2, QW-131.2, QW-132.2
- Identification of welders and welding
 - operators QW-301.3
- Joints QW-402
- Limits of qualified positions
 - procedures QW-203
 - performance QW-303, QW-461.9
- Longitudinal bend tests QW-161.5–QW-161.7
- Macro-Examination QW-183, QW-184
- Mechanical tests QW-141, QW-202.1, QW-302.1
- Multiple positions QW-122.3, QW-122.4, QW-132.4
- Nickel and nickel-base alloys QW/QB-422
- Nonessential variables QW-251.3
- Notch-toughness test QW-170
- Order of removal QW-463
- Orientation of welds QW-110, QW-461.1
- Overhead position QW-121.4, QW-131.4, QW-132.3
- Performance qualification QW-300
- Performance qualification specimens QW-452
- Pipe, test welds in QW-302.3
- Pipe positions QW-132
- Plasma-arc welding
 - variables for procedure QW-257
 - variables for performance QW-357
- Plate and pipe performance QW-303.1–QW-303.4

2001 SECTION IX

Plate and pipe procedure	QW-211		
P-Numbers	QW-200.3, QW/QB-422, Appendix D		
Positions of welds			
plate and pipe groove welds			
descriptions	QW-120–QW-123		
sketches and graphics.....	QW-460–QW-461		
plate and pipe fillet welds			
descriptions	QW-130–QW-132		
sketches and graphics.....	QW-460–QW-461		
limits of qualified positions			
for procedures	QW-203		
for performance	QW-303		
Performance variables	QW-405		
Postweld heat treatment	QW-407		
PQR	QW-201.2		
Preheat	QW-406		
Procedure qualification.....	QW-200		
Procedure qualification record.....	QW-201, QW-483		
Procedure qualification specimens	QW-451		
Processes, combination of	QW-200.4, QW-306		
Processes, special	QW-251.4		
Radiography.....	QW-142, QW-143, QW-191		
acceptance criteria	QW-191.2		
for performance qualification	QW-302.2, QW-304		
retests and renewal of qualification	QW-320		
Records.....	QW-103.2		
Record of welder or welding operator qualification			
tests.....	QW-301.4, QW-484		
Reduced-section specimens	QW-151.1, QW-151.2		
Renewal of qualification	QW-322		
Requalification.....	QW-350		
Responsibility of records	QW-103.2		
Responsibility of welding	QW-103.1, QW-201		
Retests.....	QW-321		
Scope of Section IX	QW-101		
Shielding gas	QW-408.1, QW-408.2, QW-408.3, QW-408.4, QW-408.6		
Shielded metal-arc welding			
variables for procedure	QW-253		
variables.....	QW-353		
Sketches (<i>see</i> Graphics)			
S-Numbers	QW-420.2		
Specimens	QW-450		
Stud-weld bend jig	QW-466.4		
Stud welding			
performance qualification specimens.....	QW-193		
positions.....	QW-123.1, QW-461.6, QW-461.7, QW-461.8		
procedure qualification specimens	QW-192		
variables for procedure.....	QW-261		
variables for performance	QW-361		
Submerged-arc welding			
variables for procedure.....	QW-254		
variables for performance	QW-354		
supplementary essential variables.....	QW-251.2, QW-401.3		
Tables			
Welding variables.....	QW-415, QW-416		
P-Numbers.....	QW/QB-422		
F-Numbers.....	QW-432		
A-Numbers.....	QW-442		
Procedure qualification specimens	QW-451		
Performance qualification specimens.....	QW-452		
Performance qualification limitations.....	QW-461.9		
Technique.....	QW-410		
Tension test	QW-150		
Terms and definitions.....	QW-102, QW-492		
Test assemblies	QW-301.1		
Test jigs	QW-466		
Test joints.....	QW-469.1, QW-469.2		
Tests			
acceptance criteria			
bend and hammer	QW-192.2		
fracture tests	QW-182		
guided bend.....	QW-163		
macro-examination.....	QW-183, QW-184, QW-192.4		
notch-toughness tests			
Charpy V-notch	QW-171.2		
drop weight.....	QW-172.2		
radiography	QW-191.2.2		
tension	QW-153		
torque test	QW-192.3		
description and procedure			
fillet weld.....	QW-180		
guided bend.....	QW-160		
notch toughness.....	QW-170		
Charpy V-notch	QW-171		
drop weight.....	QW-172		
radiographic.....	QW-191		
stud weld	QW-192		
tension	QW-150, QW-152		
tensile strength	QW-153.1		
for performance qualification	QW-100.2, QW-301		
mechanical tests	QW-302.1		
qualification tests	QW-301.2		
for procedure qualification	QW-100.1, QW-202		
mechanical tests	QW-202.1		
test-joint preparation.....	QW-210		
test positions for groove welds.....	QW-120		
test positions for fillet welds.....	QW-130		
test positions for stud welds	QW-123		
types and purposes			
fillet weld.....	QW-141.3		

INDEX

guided bend	QW-141.2, QW-160, QW-162, QW-451, QW-452, QW-462	PART QB	
mechanical	QW-141	Acceptance Criteria	
notch toughness	QW-141.4	tension test	QB-153
drop weight	QW-172.1	bend tests	QB-163
radiographic	QW-142, QW-143	peel test	QB-172
special examination for welders	QW-142	Addenda (issuance of)	QB-100.3
stud weld	QW-141.5	requalification of procedures	QB-100.3
tension	QW-141.1, QW-451, QW-462	AWS	QB-102
visual	QW-302.4		
Thickness	QW-310.1, QW-351, QW-451, QW-452	Base metal	QB-211
Titanium	QW/QB-422	Base metal — variables	QB-402
Torque testing for stud welds	QW-466.5	BPS	QB-482
Transverse bend tests	QW-161.1–QW-161.4	Brazers	QB-304
Turned specimens	QW-151.3	Brazing operators	QB-305
Variables	QW-250, QW-350	Definitions	QB-102, QB-490
base metals	QW-403	F-Numbers	QB-430
electrical characteristics	QW-409	Filler metal — variable	QB-403
electrode gas welding (EGW)	QW-259	Filler flow position	QB-121
electron beam welding (EBW)	QW-260	Flow direction — variables	QB-407
electroslag welding (ESW)	QW-258, QW-258.1	Flow positions	QB-461
filler metals	QW-404	Flux and atmospheres (variables)	QB-406
for welding operator	QW-360	Forms	Appendix B
gas	QW-408		
gas metal-arc welding (GMAW) (MIG)	QW-255, QW-255.1, QW-355	Graphics	QB-460
gas tungsten-arc welding (GTAW) (TIG)	QW-256, QW-256.1, QW-356	Guided bend test	QB-141.2, QB-160
general	QW-251, QW-351, QW-401		
joints	QW-402	Horizontal flow position	QB-124
oxyfuel gas welding (OFW)	QW-252, QW-252.1, QW-352	Jigs	QB-162.1
performance essential variable table	QW-416	Jigs — graphics	QB-466
plasma-arc welding (PAW)	QW-257, QW-257.1, QW-359	Joints	QB-210, QB-310
positions	QW-405	Joint design — variables	QB-408
postweld heat treatment (PWHT)	QW-407		
preheat	QW-406	Longitudinal bend test	QB-161.3, QB-161.4
procedure essential variable table	QW-415		
shielded metal-arc welding (SMAW) (STICK)	QW-253, QW-253.1, QW-353	Manufacturer's responsibility	QB-201
stud welding	QW-261, QW-361		
submerged-arc welding (SAW)	QW-254, QW-254.1, QW-354	Order of removal — graphics	QB-463
technique	QW-410	Orientation	QB-110, QB-461
Vertical position	QW-121.3, QW-131.3		
Welders and welding operators	QW-304, QW-305	P-Numbers	QB-420
Welding Procedure		Peel test	QB-141.3, QB-170
Specification	QW-200.1(a), QW-482	Performance qualifications	Article XIII, QB-100.2
WPS qualification tests	QW-202.2	Performance qualification tests	QB-301.1
		Position	QB-120
		Position — graphics	QB-460
		PQR	QB-201.2, QB-483
		Preparation of test joints	QB-210
		Procedure qualifications	Article XII, QB-100.1

2001 SECTION IX

Records.....	QB-103.2, QB-301.4	for performance qualification	QB-2-2.1, QB-451
Reduced section.....	QB-151.1, QB-151.2, QB-151.3	positions.....	QB-120
Renewal of qualification	QB-322	flat-flow positions.....	QB-121
Responsibility	QB-103, QB-201	horizontal-flow positions	QB-124
Scope	QB-101	vertical-downflow.....	QB-122
Sectioning test.....	QB-141.4, QB-181	vertical-upflow	QB-123
Shear test	QB-141.1	Transverse bend tests	QB-161.1, QB-161.2
Specimens		Variables	
tension test.....	QB-151	base metal	QB-402
guided-bend test	QB-161	brazing filler metal	QB-403
peel test	QB-171	brazing filler metal	QB-403
sectioning test	QB-181	brazing flux, fuel gas or atmosphere	QB-406
workmanship sample	QB-182	brazing process	QB-405
for procedure qualification	QB-451	brazing temperature	QB-404
for performance qualification	QB-452	data	QB-400
graphics	QB-462, QB-463	flow position	QB-407
Temperature — variable	QB-404	joint design	QB-408
Tension test	QB-141.1, QB-150	Vertical downfall position	QB-122
Test.....	QB-141	Vertical uphill position.....	QB-123
for procedure qualification	QB-202.1, QB-451	Workmanship samples	QB-141.5

ASME Boiler and Pressure Vessel Code
SECTION IX

INTERPRETATIONS
Volume 48

The Interpretations to the Code will be issued twice a year (July and December) up to the publication of the 2004 Edition of the Code. The Interpretations for each individual Section are published separately and are part of the update service to that Section; Interpretations of Section III, Divisions 1 and 2, are part of the update service to Section III, Subsection NCA.

Interpretations Volumes 42 through 47 were included with the update service to the 1998 Edition of the Code; Volume 48 is the first Interpretations volume to be included with the update service to the 2001 Edition.

Section	Vol. 48	Vol. 49	Vol. 50	Vol. 51	Vol. 52	Vol. 53
I	7/01					
II-A	7/01					
II-B	7/01					
II-C	...					
II-D	...					
III-NCA	7/01					
III-3	...					
IV	7/01					
V	...					
VI	...					
VII	...					
VIII-1	7/01					
VIII-2	...					
VIII-3	7/01					
IX	7/01					
X	...					
XI	7/01					

Copyright © 2001
THE AMERICAN SOCIETY OF MECHANICAL ENGINEERS
All Rights Reserved

INTERPRETATIONS

VOLUME 48 — SECTION IX

Replies to Technical Inquiries
July 1, 2000 through December 31, 2000

FOREWORD

General Information

This publication includes all written interpretations issued between the indicated dates by the ASME Staff on behalf of the ASME Boiler and Pressure Vessel Committee in response to inquiries concerning interpretations of the ASME Boiler and Pressure Vessel Code. A contents is also included which lists subjects specific to the interpretations covered in the individual volume.

These interpretations are taken verbatim from the original letters, except for a few typographical and editorial corrections made for the purpose of improved clarity. In some instances, a review of the interpretation revealed a need for corrections of a technical nature. In these cases, a revised interpretation is presented bearing the original Interpretation Number with the suffix R and the original file number with an asterisk. Following these revised interpretations, new interpretations and revisions to them issued during the indicated dates are assigned Interpretation Numbers in chronological order. Interpretations applying to more than one Code Section appear with the interpretations for each affected Section.

ASME procedures provide for reconsideration of these interpretations when or if additional information is available which the inquirer believes might affect the interpretation. Further, persons aggrieved by an interpretation may appeal to the cognizant ASME committee or subcommittee. As stated in the Statement of Policy in the Code documents, ASME does not "approve," "certify," "rate," or "endorse" any item, construction, proprietary device, or activity.

An interpretation applies either to the Edition and Addenda in effect on the date of issuance of the interpretation or the Edition and Addenda stated in the interpretation. Subsequent revisions to the Code may supersede the interpretation.

For detailed instructions on preparation of technical inquiries to the ASME Boiler and Pressure Vessel Committee, refer to Appendix A.

Subject and Numerical Indexes

Subject and numerical indexes have been prepared to assist the user in locating interpretations by subject matter or by location in the Code. They cover interpretations issued from Volume 12 up to and including the present volume, and will be updated with each volume.

SECTION IX

<u>Subject</u>	<u>Interpretation</u>	<u>File No.</u>
QW-194, Visual Examination	IX-01-03	BC00-519
QW-200.2, Welding Procedure Qualification	IX-01-05	BC00-654
QW-201, Manufacturer's or Contractor's Responsibility	IX-01-02	BC00-553
QW-304.1, Welder's Test Coupon Examination	IX-01-04	BC00-653
QW-403, Base Metal Requirement; QW-404, Filler Metal Requirement	IX-01-01	BC00-514
QW-410.51, Addition/Deletion of Oscillation	IX-01-06	BC98-240

Interpretation: IX-01-01

Subject: QW-403, Base Metal Requirement; QW-404, Filler Metal Requirement

Date Issued: October 11, 2000

File: BC00-514

Question (1): If a WPS is written using the GMAW-S process alone, is T limited to $1.1T$ per QW-403.10 and t limited to $1.1t$ per QW-404.32?

Reply (1): Yes.

Question (2): If a WPS is written using FCAW process alone, is T limited to $2T$ per QW-403.8 and t limited to $2t$ per QW-404.30?

Reply (2): Yes.

Interpretation: IX-01-02

Subject: QW-201, Manufacturer's or Contractor's Responsibility

Date Issued: October 11, 2000

File: BC00-553

Background: A large majority of fabrication contracted by a design Company A is performed by Manufacturers B and C. Each company is independent in ownership from the other two. Companies A, B, and C have developed a Welding Coalition. The top management of all three companies has executed an Agreement and Commitment protocol consenting to the establishment of this Welding Coalition. The Welding Coalition controls all weld procedures developed for use on Company A contracts by Companies B and C under one designated program. The Coalition does not control production welding at either of the manufacturing companies. Weld procedure qualifications performed by Company C are controlled by Company A's Quality Program. Weld procedure qualifications performed by Company B are controlled by Company B's Quality Program that has been approved by Company A. Company C is on Company B's Approved Vendors List.

Question: Is it permissible to consider the Welding Coalition as "the organization which has responsible operational control of production of the weldments to be made in accordance with this Code" such that Company B may use weld procedures qualified by Company C and vice versa?

Reply: No.

Interpretation: IX-01-03

Subject: QW-194, Visual Examination

Date Issued: January 3, 2001

File: BC00-519

Question: Is a welder's performance qualification test coupon in which undercut is present acceptable, provided that the rest of the examinations and tests are acceptable?

Reply: Yes. However, manufacturers may disqualify welders based on QW-301.2 when discontinuities such as undercut and porosity do not comply with the quality requirement of the manufacturer.

Interpretation: IX-01-04

Subject: QW-304.1, Welder's Test Coupon Examination

Date Issued: January 3, 2001

File: BC00-653

Question: Does QW-304.1 require that when radiography is used for examination of welder test coupons for performance qualification, the visual examination per QW-302.4 be performed and documented on the Welder/Welding Operator Performance Qualification record?

Reply: No.

Interpretation: IX-01-05

Subject: QW-200.2, Welding Procedure Qualification

Date Issued: January 3, 2001

File: BC00-654

Question: When a nonessential variable is recorded on a PQR, may a new or revised WPS supported by that PQR specify a different range for that nonessential variable from that recorded on the PQR?

Reply: Yes.

Interpretation: IX-01-06

Subject: QW-410.51, Addition/Deletion of Oscillation

Date Issued: February 9, 2001

File: BC98-240 (Intent Interpretation)

Background: QW-410.51, addition or deletion of oscillation is an essential variable for GTAW hard-facing. QW-410.1, addition or deletion of weave bead is not a variable for the GTAW hard-facing process.

Question: Is it the intent of Section IX that a PQR developed with a machine or automatic GTAW hard-facing process, with or without oscillation, may be used to qualify a WPS for a manual, or a semiautomatic GTAW hard-facing process, with or without weave?

Reply: Yes. Note that recent actions by Section IX have defined oscillation as applicable to machine and automatic processes and wave as applicable to manual and semiautomatic processes.



NUMERICAL INDEX

<u>Location</u>	<u>Interpretation</u>	<u>File No.</u>	<u>Page No.</u>	<u>Location</u>	<u>Interpretation</u>	<u>File No.</u>	<u>Page No.</u>
Appendix C	IX-92-98	BC94-236	327		IX-92-86	BC93-658	318
Code Case 2141	IX-92-82	BC93-434	317	QW-103	IX-92-09	BC91-260	265
Q-11, 1971 Edition	IX-83-02	BC81-704	6		IX-92-80	BC93-584	316
Q-11(b)(3), 1971 Edition, Winter 1973 Addenda	IX-83-41	BC82-796	28		IX-92-81	BC92-306	316
Q-11(5), 1971 Edition, Winter 1973 Addenda	IX-83-40	BC82-794	27	QW-103.1	IX-92-16	BC91-314	268
Section II, Part C	IX-89-97	BC90-873	250	QW-103.2	IX-92-55	BC92-307	295
	IX-92-27	BC91-471	273	QW-150	IX-83-110	BC83-692	69
	IX-92-61	BC92-422	304	QW-151	IX-83-38	BC82-771	26
	IX-92-94	BC93-754	326		IX-92-19	BC91-390	269
	IX-92-99	BC93-762, BC93-769	327	QW-151.1	IX-92-37	BC92-097	282
					IX-89-25	BC89-099	197
					IX-89-83	BC90-532	243
					IX-89-90	BC90-532	247
					IX-92-79	BC93-583	315
Part QB				QW-151.1(d)	IX-83-119	BC84-253	79
...	IX-86-73	BC86-332	159	QW-151.2	IX-83-120	BC83-474	79
QB-121	IX-92-86	BC93-655	318	QW-151.2(d)	IX-83-95	BC83-301	61
QB-123	IX-92-86	BC93-655	318	QW-151.3	IX-92-29	BC91-473	279
QB-141.4	IX-83-76	BC83-248	44		IX-92-63	BC92-452	304
	IX-98-01	BC97-304	383	QW-153.1	IX-89-04	BC88-167	182
QB-172	IX-89-74	BC90-429	234		IX-95-06	BC94-542	336
QB-181	IX-83-76	BC83-248	44	QW-153.1(d)	IX-95-09	BC94-570	344
QB-200.4	IX-89-103	BC91-096	253	QW-160	IX-83-156	BC84-697	98
QB-201.3	IX-86-21	BC86-058	126		IX-92-10	BC91-261	265
QB-203.1	IX-86-02	BC85-292	113	QW-162.1	IX-95-15	BC95-094	346
QB-402.1	IX-92-74	BC93-474	313		IX-83-115	BC83-279	77
	IX-92-93	BC93-752	325	QW-163	IX-86-37	BC86-297	139
	IX-83-136	BC84-398	87		IX-83-60	BC82-749	38
QB-402.2	IX-83-49	BC82-871	33		IX-83-120	BC83-474	79
QB-402.3	IX-83-118	BC84-183	78		IX-86-42	BC86-331	141
QB-406.1	IX-83-118	BC84-183	78		IX-86-61	BC86-515	153
QB-406.3	IX-86-11	BC85-420	116	QW-180	IX-92-11	BC91-263	266
QB-408.2	IX-86-22	BC85-531	126	QW-181.1	IX-86-40	BC86-329	141
	IX-92-83	BC93-527	317	QW-183	IX-92-24	BC91-280	272
QB-415	IX-98-01	BC97-304	383	QW-184	IX-92-24	BC91-280	272
QB-451.3 [Note (1)]	IX-83-76	BC83-248	44	QW-191	IX-83-52	BC83-001	34
QB-452.1 [Note (1)]	IX-86-02	BC85-292	113		IX-83-142	BC84-548	89
QB-461	IX-89-49	BC89-372	218		IX-83-157	BC84-700	98
QB-462.1(a)	IX-89-49	BC89-372	218		IX-83-174	BC84-557	107
QB-462.1(b)	IX-89-81	BC90-537	237	QW-191.2.2	IX-86-62	BC86-517	153
QB-462.1(c)	IX-83-76	BC83-248	44	QW-191.2.2(b)(1)	IX-83-173	BC85-013	106
QB-463	IX-86-38	BC86-298	140	QW-191.2.2(b)(3)	IX-83-173	BC85-013	106
QB-466.3	IX-89-93	BC90-783	249	QW-194	IX-01-03	BC00-519	420
QB-482	IX-89-93	BC90-783	249	QW-194.1	IX-86-18	BC85-585	125
QB-484	IX-89-93	BC90-783	249	QW-195	IX-92-13	BC91-278	267
				QW-200	IX-86-42	BC86-331	141
					IX-89-17	BC88-473	193
Part QW					IX-92-38	BC91-630	283
QW-100.1	IX-83-17	BC82-422	13	QW-200.1	IX-83-03	BC82-056	7
	IX-89-03	BC88-166A	182		IX-89-03	BC88-166A	182
QW-100.3	IX-83-99	BC83-472	63				

<u>Location</u>	<u>Interpretation</u>	<u>File No.</u>	<u>Page No.</u>	<u>Location</u>	<u>Interpretation</u>	<u>File No.</u>	<u>Page No.</u>
Part QW (Cont'd)							
	IX-92-30	BC91-587	279	QW-202.2(c)	IX-89-87	BC90-745	245
	IX-98-13	BC98-239	396		IX-89-100	BC90-663	252
QW-200.1(b)	IX-89-85	BC90-671	244		IX-89-100R	BC90-663*	261
	IX-95-01	BC94-104	333	QW-202.3	IX-83-93	BC83-531	56
QW-200.1(c)	IX-83-54	BC83-042	35		IX-83-114	BC84-070	71
	IX-83-111	BC84-001	70		IX-83-160	BC84-219	100
QW-200.2	IX-83-03	BC82-056	7		IX-86-56	BC86-429	146
	IX-83-72	BC83-269	43		IX-89-12	BC88-401	187
	IX-86-70	BC87-089	157	QW-202.4	IX-95-34	BC96-060	368
	IX-86-87	BC87-490A	175		IX-83-123	BC84-092	80
	IX-92-78	BC93-561	318		IX-86-36	BC86-280	139
	IX-98-04	BC97-481	384		IX-86-43	BC86-337	142
	IX-01-05	BC00-654	420		IX-86-89	BC88-089	176
QW-200.2(b)	IX-83-164	BC85-023	103		IX-92-11	BC91-263	266
	IX-92-16	BC91-314	268		IX-95-12	BC95-027	345
	IX-92-25	BC91-415	272	QW-202.4(b)	IX-98-20	BC99-539	415
QW-200.2(c)	IX-83-171	BC85-132	105	QW-203	IX-95-13	BC94-035	345
QW-200.2(f)	IX-86-06	BC85-328	115	QW-204	IX-89-67	BC90-335	226
QW-200.3	IX-83-115	BC83-279	77	QW-211	IX-83-15	BC82-388	13
	IX-89-37	BC89-358	212		IX-89-105	BC91-119	254
	IX-89-66	BC90-281	226	QW-214	IX-86-71	BC87-090	157
QW-200.4	IX-83-80	BC83-388	50		IX-92-06	BC91-054	264
	IX-83-83	BC83-394	53		IX-92-60	BC92-421	303
	IX-86-06	BC85-328	115		IX-95-34	BC96-060	368
	IX-86-08	BC85-134	116	QW-214.1	IX-83-48	BC82-870	32
	IX-86-23	BC85-553	127	QW-214.3	IX-89-77	BC90-492	236
	IX-86-33	BC86-262	138		IX-92-54	BC92-305	295
	IX-92-77	BC93-518	314	QW-216	IX-89-29	BC89-178	204
	IX-95-10	BC94-662	344		IX-92-03	BC90-523	262
QW-200.4(a)	IX-86-01	BC85-036	113		IX-95-34	BC96-060	368
	IX-92-42	BC92-011	291	QW-216.1	IX-89-32	BC89-287	205
	IX-92-97	BC94-167	327	QW-216.2(d)	IX-89-39	BC89-361	213
QW-200.4(a)(2)	IX-89-43	BC89-365	215		IX-89-77	BC90-492	236
QW-200.4(b)	IX-92-75	BC93-490	313	QW-218	IX-89-31	BC89-178	204
QW-201	IX-83-03	BC82-056	7		IX-92-20	BC91-396	270
	IX-83-12	BC82-341	11	QW-250	IX-89-11	BC88-399	186
	IX-83-25	BC81-160	16		IX-89-85	BC90-671	244
	IX-83-39	BC83-792	26	QW-251.2	IX-83-79	BC83-358	50
	IX-83-68	BC83-040	41	QW-251.4	IX-92-44	BC92-168	291
	IX-83-151	BC84-620	96	QW-253	IX-92-57	BC92-354	296
	IX-86-49	BC86-367	144	QW-254	IX-83-27	BC82-713	17
	IX-89-73	BC90-319	234	QW-255	IX-95-16	BC95-095	346
	IX-92-07	BC91-156	264	QW-256	IX-86-26	BC86-059	129
	IX-92-66	BC93-377	305		IX-92-57	BC92-354	296
	IX-92-67	BC93-391	306	QW-280	IX-89-92	BC90-681	248
	IX-92-80	BC93-584	316		IX-92-44	BC92-168,	291
	IX-92-81	BC92-306	316			BC90-691	
	IX-92-92	BC93-678	325	QW-281.2(b)	IX-89-70	BC90-430	227
	IX-95-25	BC95-252	359	QW-281.2(c)	IX-86-59	BC86-458	152
	IX-95-26	BC95-303	359	QW-281.2(e)	IX-83-129	BC84-251	84
	IX-95-27	BC95-482	360	QW-281.5(a)	IX-89-44	BC89-366	215
	IX-95-29	BC95-302	360	QW-282	IX-83-125	BC84-151	81
	IX-95-40	BC93-431,	376		IX-89-54	BC89-367	220
		BC95-222		QW-282.4(h)	IX-89-59	BC90-250	222
	IX-98-02	BC97-309	383	QW-282.6(m)	IX-83-09	BC82-279	10
QW-201	IX-01-02	BC00-553	419	QW-283	IX-89-22	BC89-094	195
QW-201.1	IX-98-18	BC99-025	403	QW-284	IX-95-42	BC97-044	377
QW-202	IX-92-17	BC91-315	268	QW-300	IX-83-21	BC82-499	15
QW-202.2	IX-83-103	BC83-237	65		IX-86-25	BC86-018	128
	IX-86-74	BC87-134	165		IX-89-48	BC89-360	217
	IX-92-11	BC91-263	266		IX-92-91	BC93-755	324
QW-202.2(b)	IX-95-03	BC94-235	334		IX-92-95	BC94-008	326
					IX-95-20	BC95-302	352

<u>Location</u>	<u>Interpretation</u>	<u>File No.</u>	<u>Page No.</u>	<u>Location</u>	<u>Interpretation</u>	<u>File No.</u>	<u>Page No.</u>
Part QW (Cont'd)				QW-311	IX-83-121	BC84-134	80
	IX-95-36	BC96-314	369	(New QW-381)	IX-83-132	BC84-366	85
	IX-98-11	BC98-133	395		IX-83-162	BC84-663	102
	IX-98-14	BC98-447	397		IX-86-27	BC86-061	129
QW-300.1	IX-86-05	BC85-306	114	QW-311(a)	IX-83-101	BC83-529	64
	IX-86-24	BC86-001	128	QW-312(a)	IX-83-134	BC84-396	86
	IX-86-25	BC86-018	128	QW-320	IX-86-24	BC86-001	128
	IX-95-35	BC96-287	368	QW-321	IX-83-13	BC82-346	12
QW-300.2	IX-83-133	BC84-370	86	QW-321.2(a)	IX-86-79	BC87-140	167
	IX-83-151	BC84-620	96	QW-321.3	IX-92-73	BC93-468	313
	IX-86-64	BC86-395	154	QW-322	IX-83-58	BC83-086	37
	IX-89-10	BC88-398	186		IX-83-113	BC84-055	71
	IX-92-25	BC91-415	272		IX-83-117	BC84-133	78
	IX-95-32	BC95-302	367		IX-83-124	BC84-149	81
QW-300.3	IX-92-39	BC92-121	283		IX-83-128	BC84-226	83
	IX-95-14	BC95-040	345		IX-83-154	BC84-689	97
	IX-95-19	BC95-221	352		IX-83-166	BC85-030	104
QW-301	IX-83-103	BC83-237	65		IX-83-167	BC85-031	104
	IX-86-69	BC87-088	156		IX-83-170	BC85-091	105
	IX-89-79	BC90-531	237		IX-86-07	BC85-560	115
	IX-92-17	BC91-315	268		IX-86-19	BC85-587	129
	IX-92-23	BC90-494	271		IX-86-50	BC86-389	144
QW-301.1	IX-83-153	BC84-664	97		IX-89-38	BC89-359	213
QW-301.2	IX-83-31	BC82-395	19		IX-89-54	BC89-367	220
	IX-83-149	BC84-558	95		IX-89-63	BC90-254	224
QW-301.4	IX-83-32	BC82-598	19		IX-92-12	BC91-264	266
	IX-83-163	BC85-022	102		IX-92-22	BC91-425	271
	IX-86-13	BC85-507	118		IX-92-64	BC92-464	305
	IX-86-90	BC88-091	176		IX-95-38	BC96-132	375
	IX-89-30	BC89-177	204	QW-322(a)	IX-83-150	BC84-617	96
QW-302.2	IX-86-34	BC86-265	138		IX-83-159	BC84-690	99
	IX-86-79	BC87-140	167		IX-83-164	BC85-023	103
QW-302.3	IX-89-64	BC90-297	225		IX-86-52	BC86-394	145
QW-302.4	IX-92-71	BC93-365	312		IX-86-81	BC87-242	173
	IX-95-17	BC95-035	351		IX-86-82	BC87-252	173
QW-303	IX-89-98	BC91-003	251		IX-89-27	BC89-100	203
	IX-92-15	BC91-293	267		IX-89-38	BC89-359	213
QW-303.1	IX-83-98	BC83-450	63		IX-89-54	BC89-367	220
	IX-83-155	BC84-692	98	QW-322.1(b)	IX-95-19	BC95-221	352
	IX-86-74	BC87-134	165	QW-322.2	IX-92-47	BC92-266	292
QW-303.2	IX-92-45	BC92-238	292	QW-350	IX-86-51	BC86-390	145
QW-303.3	IX-92-46	BC92-265	292		IX-95-30	BC96-073	361
QW-304	IX-83-19	BC82-440	14	QW-351	IX-83-55	BC83-059	36
	IX-83-57	BC83-079	37		IX-83-77	BC83-253	49
	IX-83-91	BC83-528	56		IX-83-143	BC84-581	89
	IX-83-108	BC83-639	68		IX-89-02	BC88-090	181
	IX-86-85	BC87-492	174		IX-92-32	BC91-631	280
	IX-95-39	BC96-331	375	QW-355	IX-86-12	BC85-482	117
QW-304.1	IX-83-128	BC84-226	83		IX-86-46	BC86-219	143
	IX-01-04	BC00-653	420	QW-356	IX-79-52R	BC79-046*	49
QW-305	IX-89-108	BC91-157	256		IX-83-116	BC84-054	77
QW-306	IX-83-83	BC83-394	53		IX-86-68	BC87-039	156
	IX-83-107	BC83-550	67		IX-92-01	BC90-501	285
	IX-86-23	BC85-553	127		IX-89-51	BC90-038	219
	IX-92-26	BC91-470	273	QW-360	IX-86-68	BC87-039	156
	IX-92-59	BC92-206	303	QW-361.2	IX-95-31	BC96-141	361
	IX-92-68	BC92-011A	306		IX-98-14	BC98-447	397
QW-310	IX-92-31	BC91-613	280	QW-364	IX-92-58	BC92-357	296
QW-310.1	IX-86-35	BC86-266	139	QW-380	IX-89-71	BC90-039	233
QW-310.2	IX-89-89	BC90-769	246		IX-89-92	BC90-681,	248
QW-310.4	IX-83-42	BC83-803	28			BC90-691	
QW-310.5(c)	IX-83-70	BC83-270	42	QW-381	IX-86-27	BC86-061	129
	IX-83-101	BC83-529	64		IX-86-58	BC86-457	152

<u>Location</u>	<u>Interpretation</u>	<u>File No.</u>	<u>Page No.</u>	<u>Location</u>	<u>Interpretation</u>	<u>File No.</u>	<u>Page No.</u>
Part QW (Cont'd)							
	IX-86-66	BC87-036	155	QW-404	IX-86-41	BC86-330	141
	IX-86-71	BC87-090	157		IX-83-37	BC82-770	26
	IX-92-72	BC93-392	312		IX-86-03	BC85-293	114
	IX-98-14	BC98-447	397		IX-86-65	BC87-031A	155
QW-382	IX-92-02	BC90-518	262		IX-86-76	BC87-137	166
	IX-92-04	BC90-530	263		IX-89-105	BC91-119	254
QW-383	IX-86-32	BC86-222	138	QW-404.4	IX-98-19	BC99-409	409
	IX-89-101	BC91-085	252		IX-83-10	BC82-299	10
QW-400	IX-83-82	BC83-303	52	QW-404.5	IX-83-87	BC83-340	54
QW-401.15	IX-89-28	BC89-174	203		IX-83-176	BC85-088	107
QW-402	IX-89-53	BC90-045	219		IX-83-140R	BC84-250*	137
QW-402.3	IX-86-54	BC86-400	146		IX-86-57	BC86-263	151
QW-402.4	IX-89-28	BC89-174	203		IX-86-84	BC87-491	174
QW-402.5	IX-86-54	BC86-400	146		IX-89-34	BC89-172	211
QW-402.6	IX-83-04	BC82-098	8		IX-89-55	BC89-371	220
QW-402.10	IX-83-04	BC82-098	8	QW-404.9	IX-89-58	BC90-249	221
	IX-83-71	BC83-230	43		IX-83-46	BC82-751	31
	IX-89-42	BC89-364	215		IX-83-59	BC82-614	37
QW-402.11	IX-86-80	BC87-253	167		IX-83-61	BC82-831	39
QW-402.12	IX-98-06	BC98-009	389		IX-83-84	BC83-398	53
QW-402.14	IX-98-06	BC98-009	389		IX-83-96	BC83-442	62
QW-403	IX-83-20	BC82-496	14		IX-83-169	BC85-089	105
	IX-83-116	BC84-054	77	QW-404.12	IX-95-37	BC96-315	369
QW-403.1	IX-83-45	BC82-385	30	QW-404.13	IX-92-21	BC91-397	270
	IX-89-14	BC88-403	187		IX-83-06	BC82-245	9
	IX-95-24	BC95-194	359		IX-83-47	BC82-790	32
QW-403.5	IX-83-92	BC83-530	56		IX-83-97	BC83-444	62
	IX-83-135	BC84-397	87	QW-404.14	IX-83-100	BC83-563	63
	IX-86-15	BC85-532	123		IX-83-89	BC83-402	55
	IX-86-75	BC87-136	165	QW-404.15	IX-89-68	BC90-349	227
	IX-86-78	BC87-139	166	QW-404.22	IX-89-47	BC89-370	217
	IX-89-23	BC89-096	196		IX-83-22	BC82-516	15
	IX-89-26	BC89-103	197	QW-404.25	IX-89-91	BC90-680	247
	IX-89-75	BC90-443	235	QW-404.26	IX-89-80	BC90-536	237
	IX-89-78	BC90-515	236	QW-404.28	IX-89-80	BC90-536	237
	IX-92-70	BC92-450	311		IX-83-100	BC83-563	63
	IX-95-21	BC95-318	353	QW-404.30	IX-89-61	BC90-252	223
QW-403.6	IX-83-148	BC84-417	95		IX-89-20	BC88-478	194
	IX-89-07	BC88-171	184	QW-404.31	IX-89-24	BC89-097	196
	IX-89-86	BC90-734	245	QW-404.32	IX-89-56	BC90-036	221
	IX-89-96	BC90-872	250		IX-83-112	BC84-038	70
	IX-92-50	BC92-217	293	QW-405.1	IX-01-01	BC00-514	419
	IX-92-87	BC93-151	323		IX-89-20	BC88-478	194
QW-403.8	IX-83-97	BC83-444	62	QW-405.2	IX-89-24	BC89-097	196
	IX-83-127	BC84-224	83	QW-405.3	IX-83-50	BC82-872	33
QW-403.9	IX-83-152	BC84-648	96		IX-83-177	BC85-092	108
QW-403.10	IX-95-28	BC96-002	360		IX-86-86	BC87-494	175
	IX-95-33	BC96-001	367		IX-92-01	BC90-501	285
	IX-01-01	BC00-514	419	QW-406.1	IX-98-15	BC98-448	397
QW-403.11	IX-83-11	BC82-300	11		IX-83-161	BC84-618	101
	IX-83-35	BC82-599	25	QW-406.2	IX-83-165	BC85-024	103
	IX-83-56	BC83-078	36	QW-406.3	IX-83-161	BC84-618	101
	IX-86-75	BC87-136	165	QW-407	IX-92-57	BC92-354	296
	IX-89-75	BC90-443	235		IX-83-130	BC84-252	84
	IX-89-84	BC90-664	244		IX-86-04	BC85-304	114
	IX-89-88	BC90-768	246		IX-86-20	BC86-010	125
QW-403.12	IX-89-61	BC90-252	223	QW-407.1	IX-86-76	BC87-137	166
QW-403.16	IX-89-20	BC88-478	194		IX-83-29	BC82-763	18
	IX-89-82	BC90-531	243		IX-83-30	BC82-243	18
	IX-89-91	BC90-680	247		IX-98-10	BC97-306,	395
QW-403.18	IX-83-106	BC83-630	67	QW-407.1(b)		BC97-308	
	IX-83-137	BC84-399	87		IX-81-31R	BC82-097*	5
					IX-86-47	BC86-223	143

<u>Location</u>	<u>Interpretation</u>	<u>File No.</u>	<u>Page No.</u>	<u>Location</u>	<u>Interpretation</u>	<u>File No.</u>	<u>Page No.</u>
Part QW (Cont'd)				QW-432	IX-83-24	BC82-588	16
QW-407.2	IX-83-29	BC82-763	18		IX-80-52R	BC80-435*	49
	IX-83-86	BC83-294	54		IX-92-99	BC93-762,	327
	IX-83-145	BC84-584	90			BC93-769	
	IX-92-84	BC93-586	318		IX-98-08	BC98-131	390
QW-407.4	IX-83-11	BC82-300	11	QW-442	IX-89-46	BC89-369	216
	IX-83-35	BC82-599	25	QW-450	IX-83-14	BC82-302	12
	IX-86-23	BC85-553	127	QW-450 vs QW-461	IX-83-78	BC83-300	50
	IX-92-33	BC91-614	280	QW-451	IX-83-01	BC81-702	5
QW-408	IX-89-16	BC88-405	188		IX-83-05	BC82-237	8
	IX-95-11	BC95-002	344		IX-83-08	BC82-265	10
QW-408.2	IX-92-62	BC92-425	304		IX-83-36	BC82-757	25
	IX-95-16	BC95-095	346		IX-83-64	BC83-222	40
QW-408.3	IX-86-67	BC87-038	155		IX-83-104	BC83-349	66
QW-408.8	IX-83-168	BC85-059	104		IX-83-105	BC83-471	66
QW-408.9	IX-83-146	BC84-619	90		IX-83-141	BC84-434	89
	IX-86-67	BC87-038	155		IX-83-177	BC85-092	108
QW-409	IX-83-26	BC82-182	17		IX-86-31	BC86-101	137
QW-409.1	IX-83-33	BC82-617	19		IX-89-07	BC88-171	184
	IX-83-175	BC85-038	107		IX-89-62	BC90-253	224
	IX-92-40	BC92-110	284		IX-89-83	BC90-532	243
	IX-92-69	BC92-228,	306		IX-89-99	BC91-022	251
		BC92-353			IX-92-19	BC91-390	269
	IX-92-87	BC93-151	323		IX-92-34	BC91-586	281
	IX-92-88	BC93-593	323		IX-92-37	BC92-097	282
QW-409.8	IX-89-19	BC88-476	194		IX-92-68	BC92-011A	306
	IX-89-36	BC89-357	212		IX-98-03	BC97-479	383
	IX-92-88	BC93-593	323		IX-98-12	BC98-237,	396
	IX-95-18	BC95-220	351			BC98-238	
QW-410.7	IX-86-55	BC86-426	146	QW-451.1	IX-83-18	BC82-423	14
QW-410.9	IX-86-60	BC86-514A	152		IX-83-43	BC82-822	29
QW-410.15	IX-86-44	BC86-365	142		IX-83-81	BC83-395	51
	IX-86-63	BC86-520	154		IX-83-88	BC83-396	54
QW-410.25	IX-83-69	BC82-233	42		IX-83-94	BC83-284	61
QW-410.26	IX-86-26	BC86-059	129		IX-83-102	BC83-551	65
QW-410.42	IX-98-07	BC98-009	390		IX-83-122	BC83-645	80
QW-410.51	IX-01-06	BC98-240	421		IX-86-36	BC86-280	139
QW-415	IX-89-79	BC90-531	237		IX-86-48	BC86-281	143
	IX-89-82	BC90-531	243		IX-89-18	BC88-474	193
QW-416	IX-86-72	BC87-091	158		IX-89-107	BC91-124	255
	IX-86-86	BC87-494	175	QW-451.3	IX-86-40	BC86-329	141
QW-420.2	IX-95-07	BC94-522	343		IX-92-51	BC92-276	294
QW-422	IX-83-34	BC82-514	25		IX-92-56	BC92-308	295
	IX-83-131	BC84-365	85	QW-452	IX-83-07	BC82-246	9
	IX-86-88	BC88-041	176		IX-83-16	BC82-396	13
	IX-89-14	BC88-403	187		IX-83-67	BC83-123	41
	IX-89-36	BC89-357	212		IX-83-104	BC83-349	66
	IX-89-88	BC90-768	246		IX-86-30	BC86-104	131
	IX-92-08	BC91-257	265		IX-86-39	BC86-299	140
	IX-92-18	BC91-389	297		IX-89-02	BC88-090	181
	IX-95-05	BC94-365	336	QW-452.1	IX-83-66	BC83-058	41
QW-423	IX-86-17	BC85-554	124		IX-83-88	BC83-396	54
	IX-89-15	BC88-404	183		IX-83-90	BC83-407	55
	IX-92-18	BC91-389	297		IX-89-06	BC88-169	183
QW-423.1	IX-89-58	BC90-249	221		IX-89-21	BC89-031	195
	IX-92-65	BC93-148	305		IX-89-52	BC90-044	219
QW-424	IX-89-05	BC88-168	188		IX-89-64	BC90-297	225
	IX-89-26	BC89-103	197		IX-89-95	BC90-869	250
	IX-89-41	BC89-363	214		IX-89-107	BC91-124	255
	IX-89-75	BC90-443	235		IX-92-35	BC91-277	281
	IX-89-88	BC90-768	246		IX-92-36	BC91-616	282
	IX-95-22	BC95-251	353		IX-92-53	BC92-254	294
QW-424.1	IX-89-58	BC90-249	221		IX-92-59	BC92-206	303

<u>Location</u>	<u>Interpretation</u>	<u>File No.</u>	<u>Page No.</u>	<u>Location</u>	<u>Interpretation</u>	<u>File No.</u>	<u>Page No.</u>
Part QW (Cont'd)							
	IX-92-89	BC93-653	324		IX-95-02	BC94-181	333
QW-452.3	IX-83-22	BC82-516	15	QW-462.1	IX-83-110	BC83-692	69
	IX-83-23	BC82-530	15		IX-92-29	BC91-473	279
	IX-83-66	BC83-058	41	QW-462.1(a)	IX-98-09	BC97-302	395
	IX-83-158	BC84-368	99		IX-86-45	BC86-366	142
	IX-86-29	BC86-103	130	QW-462.1(d)	IX-89-25	BC89-099	197
	IX-89-09	BC88-397	185		IX-83-139	BC83-629	88
	IX-89-69	BC90-401	227	QW-462.1(e)	IX-89-89	BC90-769	246
	IX-89-94	BC90-785	249	QW-462.3(a)	IX-83-95	BC83-301	61
	IX-89-104	BC91-097	253		IX-83-144	BC84-583	90
	IX-89-106	BC91-120	254	QW-462.3(b)	IX-89-72	BC90-042	233
	IX-92-59	BC92-206	303	QW-462.4	IX-83-144	BC84-583	90
	IX-92-89	BC93-653	324	QW-462.4(a)	IX-92-51	BC92-276	294
QW-452.4	IX-95-04	BC94-296	335	QW-462.4(b)	IX-95-08	BC94-543	343
	IX-92-45	BC92-238	292	QW-462.5	IX-89-45	BC89-368	216
	IX-92-51	BC92-276	294		IX-92-05	BC90-632	263
QW-452.6	IX-89-57	BC90-040	221	QW-462.5(a)	IX-92-52	BC92-252	294
QW-453	IX-92-05	BC90-632	263	QW-463.1(b)	IX-98-16	BC98-453	398
	IX-92-72	BC93-392	312	QW-463.2(g)	IX-83-15	BC82-388	13
	IX-95-23	BC95-428	353	QW-466	IX-83-75	BC83-149	44
	IX-95-41	BC97-028	376		IX-83-51	BC83-881	34
	IX-98-05	BC98-009	389		IX-92-48	BC92-267	293
	IX-98-17	BC98-055	403		IX-92-49	BC92-268	293
QW-461.1(a)	IX-83-65	BC83-225	40	QW-466.1	IX-95-15	BC95-094	346
QW-461.9	IX-83-28	BC82-748	18		IX-83-73	BC82-866	43
	IX-83-44	BC82-838	29		IX-83-74	BC82-867	44
	IX-83-53	BC83-002	35		IX-83-115	BC83-279	77
	IX-83-134	BC84-396	86	QW-466.3	IX-89-37	BC89-358	212
	IX-86-29	BC86-103	130		IX-83-109	BC83-689	68
	IX-89-98	BC91-003	251	QW-482	IX-86-37	BC86-297	139
	IX-92-15	BC91-293	267		IX-86-14	BC85-483	123
	IX-92-41	BC92-035	284	QW-483	IX-89-01	BC88-042	181
	IX-92-46	BC92-265	292		IX-86-14	BC85-483	123
	IX-92-72	BC93-392	312	QW-484	IX-86-70	BC87-089	157
	IX-92-90	BC93-753	324	QW-492	IX-83-53	BC83-002	35
QW-462	IX-86-09	BC85-200	116		IX-86-16	BC85-533	124
	IX-89-102	BC91-086	253		IX-89-62	BC90-253	224
	IX-92-76	BC93-515	312		IX-92-43	BC92-100	291
					IX-98-15	BC98-448	397

SUBJECT INDEX

<u>Subject</u>	<u>Interpretation</u>	<u>File No.</u>	<u>Page No.</u>
Base Metals			
P-Number substitution	IX-83-20	BC82-496	14
	IX-83-56	BC83-078	36
	IX-83-96	BC83-442	62
	IX-86-17	BC85-554	124
	IX-86-18	BC85-585	125
	IX-89-29	BC89-176	204
	IX-89-61	BC90-252	223
	IX-89-75	BC90-443	235
	IX-95-21	BC95-318	353
	IX-95-22	BC95-251	353
	IX-95-24	BC95-194	359
qualifying for notch toughness	IX-83-92	BC83-530	54
	IX-86-48	BC86-281	143
	IX-89-75	BC90-443	235
	IX-89-84	BC90-664	244
	IX-89-96	BC90-872	250
	IX-92-70	BC92-450	311
	IX-92-87	BC93-151	323
qualifying for test specimens	IX-89-37	BC89-358	212
	IX-89-88	BC90-768	246
thickness	IX-01-01	BC00-514	419
use of as filler metal	IX-83-87	BC83-340	56
Brazing Base Metals			
P-Number substitution	IX-92-74	BC93-474	313
Brazing Procedure Qualification			
by Part QW welding qualification	IX-92-83	BC93-527	317
electrode classification	IX-95-13	BC94-035	345
for attaching small penetrations	IX-86-73	BC86-332	159
qualification by proof test	IX-86-53	BC86-399	145
S-Number substitution	IX-92-93	BC93-752	325
Brazing Procedure Specification			
combination of thicknesses	IX-89-104	BC91-097	253
qualification of hard-facing	IX-92-83	BC93-527	317
recording information on BPS	IX-89-93	BC90-783	249
recording information on the Brazer or Brazing Operator			
Qualification Test	IX-89-94	BC90-785	249
requalification of	IX-86-22	BC85-531	126
Brazing Test Specimens			
butt and scarf joints	IX-89-49	BC89-372	218
positions	IX-92-85	BC93-655	318
Certification			
of the PQR	IX-83-03	BC82-056	7
of the WPS	IX-83-03	BC82-056	7

<u>Subject</u>	<u>Interpretation</u>	<u>File No.</u>	<u>Page No.</u>
Consumable Inserts			
addition/deletion	IX-89-91	BC90-680	247
performance qualification	IX-83-06	BC82-245	9
	IX-83-22	BC82-516	15
qualifying viewing windows	IX-83-104	BC83-349	66
Cover Pass			
remelting of	IX-83-89	BC83-402	55
Diameters, Pipe			
performance qualification	IX-83-55	BC83-059	29
ranges listed on the WPS	IX-83-44	BC82-838	36
	IX-89-82	BC90-531	243
Dust			
amount in powdered filler metal	IX-83-09	BC82-279	10
Essential Variables (see Variables)			
Filler Materials (see also SFA Specifications)			
change in electrode classification	IX-83-84	BC83-303	53
	IX-89-61	BC90-252	223
	IX-92-21	BC91-397	270
	IX-98-19	BC99-409	409
change in wire classification	IX-83-84	BC83-398	53
	IX-83-169	BC85-089	105
	IX-95-37	BC96-315	369
	IX-98-19	BC99-409	409
chemical analysis of weld deposit	IX-86-57	BC86-263	151
electrode spacing	IX-86-44	BC86-365	142
flux-cored consumable	IX-89-105	BC91-119	254
nonferrous	IX-83-176	BC85-088	107
qualifying as a welded buildup	IX-83-114	BC84-070	71
supplementary powder, addition, deletion or increase	IX-89-80	BC90-536	237
without SFA specification	IX-86-03	BC85-293	114
Flux			
active/neutral	IX-86-16	BC85-533	124
F-Numbers			
change in	IX-83-10	BC82-299	10
	IX-89-28	BC89-174	203
classification	IX-89-46	BC89-369	216
	IX-92-99	BC93-762	327
		BC93-769	327
classification of martensitic materials	IX-83-24	BC82-588	16
use of electrodes to conform F-No.	IX-89-29	BC89-176	204
Interpass Temperatures			
listing of on the WPS	IX-83-41	BC82-796	28
	IX-83-161	BC84-618	101
qualification of	IX-83-41	BC82-796	28
	IX-83-129	BC84-251	84
Machine Welding			
definition of	IX-92-43	BC92-100	291
Multiprocess Welds			
qualified thickness range for performance qualification	IX-83-14	BC83-302	12
	IX-89-35	BC89-307	211
qualified thickness range for procedure qualification	IX-83-83	BC83-394	53
	IX-95-33	BC96-001	367
required test specimens for procedure qualification	IX-83-01	BC81-702	5
root pass without backing	IX-89-01	BC88-042	181

<u>Subject</u>	<u>Interpretation</u>	<u>File No.</u>	<u>Page No.</u>
Multiprocess Welds (Cont'd)			
with notch-toughness requirements	IX-83-33	BC82-617	19
Nonessential Variables (see also Variables)			
addressing	IX-98-13	BC98-239	396
ranges for	IX-83-04	BC82-098	8
Normalized Materials			
qualified by non-normalized materials	IX-83-86	BC83-294	54
Nozzle Joint Design			
base metal thickness	IX-86-31	BC86-101	137
Operational Control			
change in company name	IX-83-25	BC81-160	16
contractor's associations	IX-83-68	BC83-040	41
of welding procedures	IX-83-03	BC82-056	7
	IX-83-151	BC84-620	96
organizations not involved in Code applications	IX-86-64	BC86-395	154
	IX-83-39	BC82-792	26
Peel Test, Brazing			
acceptance criteria	IX-89-74	BC90-429	234
	IX-98-01	BC97-304	383
Performance Qualification			
A-number substitution	IX-86-84	BC87-491	174
	IX-89-29	BC89-176	204
alternate base materials for welder qualification	IX-92-18	BC91-389	297
	IX-92-18	BC91-389	297
applied lining or clad plate	IX-92-65	BC93-148	305
	IX-89-101	BC91-085	252
by several contractors simultaneously	IX-86-25	BC86-018	128
	IX-86-81	BC87-242	173
change in angle groove	IX-95-32	BC95-302	367
	IX-86-69	BC87-088	156
change in vertical welding	IX-92-01	BC90-501	285
combination of welding processes	IX-92-01	BC90-501	285
	IX-92-26	BC91-470	273
consumable inserts	IX-83-06	BC82-245	9
	IX-83-22	BC82-516	15
corrosion-resistant weld metal overlay	IX-86-32	BC86-222	138
	IX-86-58	BC86-457	152
	IX-86-66	BC87-036	155
	IX-89-79	BC90-531	237
	IX-89-71	BC90-039	233
	IX-92-72	BC93-392	312
	IX-95-23	BC95-428	353
	IX-95-30	BC96-073	361
diameter limitation	IX-98-14	BC98-447	397
	IX-89-09	BC88-397	185
	IX-89-69	BC90-401	227
	IX-89-98	BC91-003	251
	IX-89-104	BC91-097	253
	IX-89-106	BC91-120	254
	IX-92-15	BC91-263	267
	IX-92-41	BC92-035	284
	IX-92-90	BC93-753	324
	IX-95-04	BC94-296	335
editorial correction to WPQ	IX-92-96	BC93-755	326
effective operational control of	IX-89-10	BC88-398	186
	IX-95-20	BC95-302	352
electrodes	IX-95-32	BC95-302	367
	IX-95-30	BC96-073	361

<u>Subject</u>	<u>Interpretation</u>	<u>File No.</u>	<u>Page No.</u>	
Performance Qualification (Cont'd)				
fillet welds	IX-83-04	BC82-098	8	
	IX-83-103	BC83-237	65	
	IX-86-28	BC86-062	130	
	IX-92-45	BC92-238	292	
fillet welds qualified by groove welds	IX-83-16	BC82-396	13	
	IX-83-98	BC84-450	63	
	IX-86-74	BC87-134	165	
	IX-89-31	BC89-178	204	
	IX-89-87	BC90-745	245	
	IX-79-52R	BC79-046*	49	
F-Number qualification	IX-80-52R	BC80-435*	49	
	IX-98-08	BC98-131	390	
	IX-83-13	BC82-346	12	
further training	IX-83-13	BC82-346	12	
groove welds	IX-83-16	BC82-396	13	
	IX-89-20	BC88-478	194	
	IX-89-89	BC90-769	246	
	IX-89-94	BC90-785	249	
	IX-95-04	BC94-296	335	
hard facing weld metal overlay	IX-92-02	BC90-518	262	
	IX-95-23	BC95-428	353	
	IX-95-31	BC96-141	361	
machine welding	IX-95-31	BC96-141	361	
macro examination	IX-92-24	BC91-280	272	
maintenance of	IX-86-82	BC87-252	173	
manual/machine welding substitution	IX-86-68	BC87-039	156	
	IX-89-38	BC89-359	213	
	IX-95-36	BC96-314	369	
manual/semiautomatic welding substitution	IX-83-14	BC82-302	12	
	IX-83-107	BC83-550	67	
	IX-86-13	BC85-507	118	
	IX-86-23	BC85-553	127	
	IX-86-39	BC86-299	140	
	IX-83-163	BC85-022	102	
	IX-86-05	BC85-306	114	
	IX-83-155	BC84-692	98	
	IX-83-40	BC82-794	27	
	IX-83-42	BC82-803	28	
P-Number substitutions	IX-83-63	BC83-122	40	
	IX-83-70	BC83-270	42	
	IX-83-116	BC84-054	77	
	IX-83-137	BC84-399	87	
	IX-86-17	BC85-554	124	
	IX-86-18	BC85-585	125	
	IX-86-41	BC86-330	141	
	IX-86-51	BC86-390	145	
	IX-86-72	BC87-091	158	
	IX-89-15	BC88-404	188	
	IX-89-33	BC89-175	205	
	position	IX-83-28	BC82-748	18
		IX-83-108	BC83-639	68
		IX-83-162	BC84-663	102
		IX-83-170	BC85-091	105
IX-83-177		BC85-092	108	
IX-86-29		BC86-103	130	
IX-86-30		BC86-104	131	
IX-86-35		BC86-266	139	
IX-89-24		BC89-097	196	
IX-89-40		BC89-362	214	
IX-89-98		BC91-003	251	
IX-92-15		BC91-263	267	
IX-92-41		BC92-035	284	
IX-92-46		BC92-265	292	
IX-92-90	BC93-753	324		
process substitution	IX-86-46	BC86-219	143	

<u>Subject</u>	<u>Interpretation</u>	<u>File No.</u>	<u>Page No.</u>
Performance Qualification (Cont'd)			
qualification with and without backing	IX-92-96	BC94-102	326
questioning of ability.....	IX-86-24	BC86-001	128
records	IX-95-38	BC96-132	375
recording information on WPQ	IX-86-13	BC85-507	118
	IX-86-72	BC87-091	158
	IX-89-30	BC89-177	204
	IX-89-47	BC89-370	217
renewal of	IX-83-154	BC84-689	97
	IX-83-159	BC84-690	99
	IX-83-164	BC85-023	103
	IX-83-166	BC85-030	104
	IX-83-167	BC85-031	104
	IX-86-07	BC85-560	115
	IX-86-19	BC85-587	125
	IX-86-50	BC86-389	144
	IX-86-52	BC86-394	145
	IX-89-32	BC89-100	203
	IX-92-12	BC91-264	266
	IX-92-22	BC91-425	271
	IX-92-47	BC92-266	292
	IX-92-64	BC92-464	305
requalification after failure	IX-92-56	BC92-308	295
requalification after failure and further training.....	IX-92-73	BC93-468	313
requalification for friction weld operator.....	IX-92-58	BC92-357	296
requalifying for Addenda changes	IX-83-112	BC84-038	70
responsibility of.....	IX-83-21	BC82-499	15
	IX-83-100	BC83-563	63
	IX-83-101	BC83-529	64
	IX-83-106	BC83-630	67
	IX-83-113	BC83-055	71
	IX-83-117	BC84-133	78
	IX-83-121	BC84-134	80
	IX-83-124	BC84-149	81
	IX-83-128	BC84-226	83
	IX-83-131	BC84-365	85
	IX-83-132	BC84-366	85
	IX-83-133	BC84-370	86
	IX-83-134	BC84-396	86
	IX-92-25	BC91-415	272
	IX-98-14	BC98-447	397
revoking of qualification.....	IX-95-19	BC95-221	352
simultaneous qualification of welders	IX-92-39	BC92-121	283
	IX-95-14	BC95-040	345
special process	IX-89-92	BC90-681,	248
		BC90-691	
strip electrodes	IX-95-30	BC96-073	361
test coupon qualification	IX-92-31	BC91-613	280
test specimen movement	IX-86-77	BC87-138	166
thickness limitation	IX-83-90	BC83-407	55
	IX-83-158	BC84-368	99
	IX-89-02	BC88-090	181
	IX-89-24	BC89-097	196
	IX-89-32	BC89-287	205
	IX-89-64	BC90-297	225
	IX-89-83	BC90-532	243
	IX-89-95	BC90-869	250
	IX-89-96	BC90-872	250
	IX-92-36	BC91-616	282
	IX-92-35	BC91-277	281
	IX-92-32	BC91-631	280
	IX-92-51	BC92-276	294
	IX-92-59	BC92-206	303
	IX-95-23	BC95-428	353

<u>Subject</u>	<u>Interpretation</u>	<u>File No.</u>	<u>Page No.</u>
Performance Qualification (Cont'd)			
	IX-95-28	BC96-002	360
	IX-98-05	BC98-009	389
	IX-98-17	BC98-055	403
type of tests required.....	IX-92-17	BC91-315	268
	IX-92-23	BC90-494	270
using radiography.....	IX-83-19	BC82-440	14
	IX-83-52	BC83-001	34
	IX-83-57	BC83-079	36
	IX-83-91	BC83-528	56
	IX-83-142	BC84-548	89
	IX-83-173	BC85-013	106
	IX-83-174	BC84-557	107
	IX-86-34	BC86-265	138
	IX-86-79	BC87-140	167
	IX-86-85	BC87-492	174
	IX-89-21	BC89-031	195
ultrasonic examination.....	IX-95-35	BC96-287	368
visual examination.....	IX-92-71	BC93-365	312
	IX-95-17	BC95-035	351
	IX-01-03	BC00-519	420
visual inspection.....	IX-89-50	BC90-035	218
welder/operator.....	IX-89-48	BC89-360	217
	IX-89-51	BC90-038	219
	IX-89-57	BC90-040	221
	IX-89-63	BC90-254	224
	IX-89-108	BC91-157	256
	IX-95-39	BC96-331	375
	IX-98-11	BC98-133	395
	IX-98-14	BC98-447	397
welder/operator identification.....	IX-83-138	NI84-058	88
welding of joint by more than one welder.....	IX-89-06	BC88-169	183
when welding PQR coupon.....	IX-83-31	BC82-395	19
	IX-86-90	BC88-091	176
	IX-89-48	BC89-360	217
with a tube end gun.....	IX-83-67	BC83-123	41
with/without backing.....	IX-83-168	BC85-059	104
	IX-86-23	BC85-553	127
plasma arc welding.....	IX-89-40	BC89-362	214
P-Numbers			
chemical analysis/mechanical properties of.....	IX-86-88	BC88-041	176
classification of.....	IX-83-156	BC84-697	98
	IX-92-08	BC91-257	265
	IX-95-05	BC94-365	336
welding of non-pressure retaining attachments.....	IX-89-05	BC88-168	183
Positions, Brazing			
qualification of flow positions.....	IX-86-02	BC85-292	113
Positions, Welding			
fillet welds in vertical-up progression.....	IX-83-82	BC83-303	52
listing on the WPS.....	IX-83-44	BC82-830	29
qualification of 2G position.....	IX-83-75	BC83-149	44
recording welder qualification for.....	IX-83-53	BC83-002	35
vertical-up progression.....	IX-83-50	BC82-872	33
	IX-86-86	BC87-494	175
Postweld Heat Treatment			
addition of.....	IX-86-47	BC86-223	143
change in soaking time.....	IX-83-130	BC84-252	84
change in base metal thickness.....	IX-92-33	BC91-614	280
limit on maximum time.....	IX-83-145	BC84-584	90
reporting results.....	IX-98-10	BC97-306,	395

<u>Subject</u>	<u>Interpretation</u>	<u>File No.</u>	<u>Page No.</u>
Postweld Heat Treatment (Cont'd)			
temperature ranges	IX-81-30R	BC97-308	
	IX-83-30	BC82-097*	5
transformation temperatures	IX-83-11	BC82-243	18
	IX-86-23	BC82-300	11
versus post heating	IX-86-76	BC85-553	127
	IX-83-29	BC87-137	166
when lower critical temperature has been exceeded	IX-86-20	BC82-763	18
	IX-83-35	BC86-010	125
		BC82-599	25
Preheat Temperature			
maintenance of	IX-83-82	BC83-303	52
	IX-83-161	BC84-618	101
Procedure Qualification			
equipment	IX-95-42	BC97-044	377
	IX-89-54	BC89-367	220
essential variables	IX-89-59	BC90-250	222
	IX-01-06	BC98-240	421
impact testing	IX-89-23	BC89-096	196
joints	IX-98-06	BC98-009	389
limits of qualified positions for procedures	IX-95-13	BC94-035	345
liquid penetrant examination	IX-92-13	BC91-278	267
	IX-95-23	BC95-428	353
nonessential variables	IX-98-13	BC98-239	396
	IX-01-05	BC00-654	420
partial penetration groove welds	IX-89-62	BC90-253	224
	IX-95-03	BC94-235	334
seal welds	IX-98-15	BC98-448	397
subcontracting	IX-92-78	BC93-561	315
substrate deposit	IX-95-34	BC96-060	368
tension tests	IX-95-09	BC94-570	344
	IX-89-79	BC90-531	237
variables	IX-92-40	BC92-110	284
	IX-95-03	BC94-235	334
weld repair and buildup tests			
Procedure Qualification Record			
additions/corrections to	IX-83-171	BC85-132	105
	IX-92-20	BC91-396	270
applied lining	IX-83-03	BC82-056	7
certification of	IX-83-47	BC82-790	32
	IX-86-15	BC85-532	123
combining PQRs	IX-89-40	BC89-362	214
	IX-92-42	BC92-011	291
corrosion-resistant weld metal overlay, chemical analysis	IX-92-59	BC92-206	303
	IX-92-68	BC92-011A	306
IX-92-95	BC94-008	326	
	IX-89-77	BC90-492	233
IX-89-71	BC90-039	236	
	IX-92-05	BC90-632	263
IX-92-06	BC91-054	264	
	IX-92-28	BC91-472	273
IX-92-52	BC92-252	294	
	IX-92-54	BC92-305	295
IX-95-41	BC97-028	376	
	IX-98-16	BC98-453	398
dissimilar base metal thicknesses	IX-92-11	BC91-263	266
		BC92-011B,	306
	BC92-228		
	IX-95-12	BC95-027	345
	IX-98-20	BC99-539	415
electrical characteristics	IX-92-88	BC93-593	325
groove and fillet welds	IX-92-11	BC91-263	266

<u>Subject</u>	<u>Interpretation</u>	<u>File No.</u>	<u>Page No.</u>
Procedure Qualification Record (Cont'd)			
	IX-92-37	BC92-097	282
	IX-92-34	BC91-586	281
	IX-95-28	BC96-002	360
hardfacing overlay, examination	IX-89-77	BC90-492	236
	IX-92-03	BC90-523	262
	IX-92-04	BC90-530	263
	IX-95-23	BC95-428	353
	IX-95-34	BC96-060	368
	IX-98-16	BC98-453	398
information on	IX-86-70	BC87-089	157
	IX-89-16	BC88-405	188
listing of backing	IX-86-33	BC82-262	138
listing of preheat temperature	IX-83-165	BC85-024	103
listing of shielding gas purity	IX-95-11	BC95-002	344
macro examination	IX-92-24	BC91-280	272
manufacturer's or contractor's responsibility	IX-89-73	BC90-319	234
	IX-92-07	BC91-156	264
	IX-92-09	BC91-260	265
	IX-92-16	BC91-314	268
	IX-92-25	BC91-415	272
	IX-92-66	BC93-377	305
	IX-92-67	BC93-391	306
	IX-92-80	BC92-584	316
	IX-92-81	BC92-306	316
	IX-92-92	BC93-678	325
	IX-95-25	BC95-252	359
	IX-95-26	BC95-303	359
	IX-95-27	BC95-482	360
	IX-95-29	BC95-302	360
	IX-95-40	BC93-431,	376
		BC95-222	
	IX-98-18	BC99-025	403
meeting requirements of older editions	IX-83-99	BC83-472	63
	IX-83-148	BC84-417	95
	IX-92-86	BC93-658	318
notch toughness testing	IX-86-75	BC87-136	165
	IX-86-78	BC87-139	166
	IX-92-50	BC92-217	293
oscillation	IX-98-07	BC98-009	390
recording test results	IX-83-26	BC82-182	12
	IX-83-139	BC83-629	88
	IX-83-172	BC85-135	106
	IX-83-175	BC85-038	107
requalifying	IX-89-56	BC90-036	221
	IX-89-58	BC90-249	221
	IX-92-62	BC92-425	304
	IX-92-97	BC94-167	327
revising WPSs	IX-92-57	BC92-354	296
special process	IX-89-92	BC90-681,	248
		BC90-691	
	IX-92-44	BC92-168	291
supporting WPSs	IX-92-84	BC93-586	318
	IX-95-21	BC95-318	353
	IX-95-22	BC95-251	353
	IX-98-04	BC97-481	384
thickness limits and test specimens	IX-92-19	BC91-390	269
	IX-92-53	BC92-254	294
	IX-92-89	BC93-653	324
	IX-95-23	BC95-428	353
	IX-98-03	BC97-479	383
	IX-98-05	BC98-009	389
	IX-98-07	BC98-009	390
	IX-98-17	BC98-055	403

<u>Subject</u>	<u>Interpretation</u>	<u>File No.</u>	<u>Page No.</u>
Procedure Qualification Record (Cont'd)			
	IX-01-01	BC00-514	419
types of test required.....	IX-92-17	BC91-315	268
Process			
definition of.....	IX-83-58	BC83-086	37
performance qualification.....	IX-83-69	BC83-233	42
variables for.....	IX-86-12	BC85-482	117
Production Welds			
liquid penetrant examination.....	IX-92-13	BC91-278	267
Qualified Thickness Range			
performance			
for different positions.....	IX-83-23	BC82-530	15
	IX-86-30	BC86-104	131
for dissimilar base metal thicknesses.....	IX-83-123	BC84-092	80
	IX-89-37	BC89-358	212
for hardfacing overlay.....	IX-92-05	BC90-632	263
	IX-98-05	BC98-009	389
for pipe.....	IX-83-66	BC83-058	41
	IX-86-29	BC86-103	130
for weld overlays.....	IX-83-101	BC83-529	64
	IX-86-27	BC86-061	129
weld reinforcement.....	IX-83-07	BC82-246	9
	IX-83-143	BC84-581	89
procedure			
changes in later editions.....	IX-83-88	BC83-396	54
effect of PWHT.....	IX-83-11	BC82-300	11
for brazed laps.....	IX-83-49	BC82-871	33
	IX-86-21	BC86-058	126
for cladding.....	IX-83-48	BC82-870	32
	IX-98-16	BC98-453	398
for double-bevel groove welds.....	IX-83-90	BC83-407	55
for dissimilar base metal thickness.....	IX-86-89	BC88-089	176
for groove welds.....	IX-89-100	BC90-663	252
	IX-89-100R	BC90-663*	261
	IX-98-03	BC97-479	383
for hardfacing overlay.....	IX-92-05	BC90-632	263
	IX-98-05	BC98-009	389
	IX-98-16	BC98-453	398
for multiprocess procedures.....	IX-83-83	BC83-394	53
	IX-83-126	BC84-221	82
for notch toughness.....	IX-89-86	BC90-734	245
for weld repair.....	IX-83-93	BC83-531	56
	IX-83-126	BC84-221	82
	IX-83-141	BC84-434	89
	IX-86-28	BC86-062	130
impact testing.....	IX-83-81	BC83-395	51
limitation when using GMAW-S.....	IX-83-18	BC82-423	14
	IX-95-33	BC96-001	367
	IX-95-28	BC96-002	360
limitations for combined procedures.....	IX-83-80	BC83-388	50
	IX-95-33	BC96-001	367
limitations of QW-451.....	IX-83-102	BC83-551	65
	IX-83-152	BC84-648	96
	IX-86-36	BC86-280	139
	IX-89-83	BC90-532	243
minimum for weld metal.....	IX-83-81	BC83-395	51
	IX-89-39	BC89-361	213
ranges qualified by PQR.....	IX-83-36	BC82-757	25
	IX-83-64	BC83-222	40
	IX-89-11	BC88-399	186
thickness for determining weld reinforcement.....	IX-83-05	BC82-237	8

<u>Subject</u>	<u>Interpretation</u>	<u>File No.</u>	<u>Page No.</u>
Qualified Thickness Range (Cont'd)			
	IX-83-08	BC82-265	10
thickness used to determine range	IX-83-94	BC83-284	61
	IX-86-43	BC86-337	142
	IX-89-18	BC88-474	193
Records (see also Procedure Qualification Record)			
maintenance of performance qualification	IX-83-32	BC82-598	19
	IX-92-55	BC92-307	295
Root Gap			
qualification of	IX-83-71	BC83-230	43
use of term	IX-83-04	BC82-098	8
SFA Specifications			
AWS classification change	IX-83-147	BC84-249	95
change of designations in a classification	IX-83-59	BC82-614	37
change of electrode classification	IX-83-61	BC82-831	39
	IX-89-13	BC88-402	187
	IX-92-21	BC91-397	270
Chemistry deviation	IX-89-08	BC88-172	185
classification listed in AWS specification	IX-92-94	BC93-754	326
electrode classification	IX-89-76	BC90-466	235
	IX-95-13	BC94-035	345
electrode spacing	IX-86-63	BC86-520	154
heat treatment conditions	IX-83-46	BC82-751	31
mechanical tests	IX-89-97	BC90-873	251
use of	IX-83-27	BC82-713	17
use of different electrode brands	IX-86-65	BC87-031A	155
use of powdered filler metal	IX-92-61	BC92-422	304
Shielding Gases			
procedure qualification using	IX-83-02	BC81-704	6
	IX-92-62	BC92-425	304
purity	IX-95-11	BC95-002	344
SI Units			
use of	IX-83-85	BC83-003	53
S-Numbers			
qualification	IX-92-98	BC94-236	327
	IX-95-07	BC94-522	343
Supplementary Essential Variables (see also Variables)			
qualifying changes in	IX-83-79	BC83-358	50
	IX-83-122	BC83-645	80
	IX-83-135	BC84-397	87
Test Specimens			
acceptance criteria for bend specimens	IX-83-60	BC82-749	38
	IX-83-115	BC83-279	77
	IX-86-61	BC86-515	153
	IX-89-52	BC90-044	219
	IX-95-15	BC95-094	346
acceptance criteria for section test	IX-83-76	BC83-248	44
	IX-83-120	BC83-474	79
bending of	IX-83-51	BC82-881	34
brazing joint clearance	IX-86-11	BC85-420	117
calibration of testing machines	IX-83-109	BC83-689	68
cold straightening of	IX-83-60	BC82-749	38
corrosion-resistant overlay	IX-92-05	BC90-632	263
	IX-92-60	BC92-421	303
determining coupon thickness	IX-83-77	BC83-253	49
	IX-83-78	BC83-300	50

<u>Subject</u>	<u>Interpretation</u>	<u>File No.</u>	<u>Page No.</u>
Test Specimens (Cont'd)			
dimensions recorded on PQR.....	IX-83-143 IX-83-26 IX-83-144	BC84-581 BC82-182 BC84-583	89 17 90
face and root bends, transverse.....	IX-89-72	BC90-042	233
failure of.....	IX-83-153 IX-86-09	BC84-664 BC85-200	97 116
fillet welds.....	IX-95-08	BC94-543	343
for multiprocess welds.....	IX-83-43	BC82-822	29
for peel or section tests.....	IX-83-76	BC83-248	44
grinding of overlay specimens.....	IX-83-60	BC82-749	38
guided-bend tests.....	IX-92-10 IX-95-15 IX-98-12	BC91-261 BC95-094 BC98-237, BC98-238	265 346 396
longitudinal bend.....	IX-89-107	BC91-124	255
mandrel size.....	IX-83-74 IX-86-71	BC82-867 BC87-090	44 157
method of restraint.....	IX-86-37 IX-86-38	BC86-297 BC86-298	139 140
minimum weld metal deposit thickness.....	IX-92-68	BC92-011	306
nondestructive testing of.....	IX-86-83	BC87-489A	174
number of tension test specimens.....	IX-92-37	BC92-097	282
partial penetration.....	IX-89-99	BC91-022	251
product form.....	IX-86-40 IX-89-07	BC86-329 BC88-171	141 184
qualification of.....	IX-89-45 IX-92-29	BC89-368 BC91-473	216 279
reduced section.....	IX-83-65 IX-89-25 IX-89-90 IX-92-76 IX-92-79	BC83-225 BC89-099 BC90-532 BC93-515 BC93-583	40 197 247 314 315
removal.....	IX-83-15 IX-83-119 IX-92-79	BC82-388 BC84-253 BC93-583	13 79 315
roll planishing.....	IX-86-26	BC86-059	129
size of specimen required.....	IX-83-38 IX-83-73 IX-86-45	BC82-771 BC82-866 BC86-366	26 43 142
tension, full section for small diameter pipe.....	IX-89-103	BC91-096	253
tension, reduced section for lap and rabbet joints, plate.....	IX-89-81	BC90-537	237
tension test results.....	IX-92-14 IX-92-63 IX-95-06 IX-95-09 IX-98-09	BC91-279 BC92-452 BC94-542 BC94-570 BC97-302	267 304 336 344 395
test jig dimensions for bend tests.....	IX-92-48 IX-92-49	BC92-267 BC92-268	293 293
tolerances.....	IX-95-02	BC94-181	333
transverse bend.....	IX-89-107	BC91-124	255
using radiography.....	IX-83-157 IX-86-62 IX-01-04	BC84-700 BC86-517 BC00-653	98 153 420
visual requirements.....	IX-83-149 IX-01-04	BC84-558 BC00-653	95 420
Unlisted Materials (Non-Code Material)			
A-Number classification.....	IX-83-140R IX-89-46 IX-89-55	BC84-250* BC89-369 BC89-371	137 216 220
P-Numbers for.....	IX-83-34 IX-83-62 IX-83-115	BC82-514 NI83-004 BC83-279	25 39 77

<u>Subject</u>	<u>Interpretation</u>	<u>File No.</u>	<u>Page No.</u>
Unlisted Materials (Non-Code Material) (Cont'd)			
	IX-83-131	BC84-365	85
identifying welding electrodes in cartons	IX-89-65	BC90-289	225
qualification of	IX-83-45	BC82-385	30
	IX-83-136	BC84-398	87
	IX-95-21	BC95-318	353
	IX-95-22	BC95-251	353
SAW flux/wire combinations	IX-83-46	BC82-751	31
use of filler metals	IX-83-25	BC81-160	16
	IX-86-76	BC87-137	166
Variables			
changes to the WPS	IX-83-54	BC83-042	35
	IX-89-70	BC90-430	227
flexible welding back-up tape	IX-86-80	BC87-253	167
listing on the WPS	IX-83-03	BC82-056	7
	IX-86-14	BC85-483	126
	IX-89-82	BC90-531	243
	IX-89-85	BC90-671	244
ranges demonstrated on the PQR	IX-83-40	BC82-794	27
recording on the PQR	IX-83-26	BC82-182	17
Welder Qualification (see Performance Qualification Testing)			
Welding Operator Qualification (see Performance Qualification Testing)			
Welding Procedure Specification			
certification	IX-83-03	BC82-056	7
	IX-89-43	BC89-365	215
changes in	IX-83-37	BC82-770	26
	IX-83-118	BC84-183	78
	IX-83-125	BC84-151	81
	IX-83-150	BC84-617	96
	IX-86-67	BC87-038	155
	IX-92-30	BC91-587	279
combination of processes	IX-83-164	BC85-023	103
	IX-86-01	BC85-036	113
	IX-86-06	BC85-328	115
	IX-86-23	BC85-553	127
	IX-86-56	BC86-429	146
	IX-86-60	BC86-514A	152
	IX-86-87	BC87-490A	175
	IX-89-26	BC89-103	197
	IX-89-67	BC90-335	226
	IX-95-10	BC94-662	344
combining of	IX-86-08	BC85-134	116
	IX-92-75	BC93-490	313
	IX-92-77	BC93-518	314
electrical characteristics	IX-95-18	BC95-220	351
for corrosion-resistant weld metal overlay	IX-86-59	BC86-458	152
	IX-89-12	BC88-401	187
	IX-95-41	BC97-028	376
for weld repair/buildup	IX-83-160	BC84-219	100
information recorded on	IX-83-127	BC84-224	83
	IX-86-04	BC85-304	114
	IX-86-10	BC85-307	117
	IX-86-14	BC85-483	123
	IX-86-54	BC86-400	146
	IX-89-03	BC88-166A	182
	IX-89-16	BC88-405	188
	IX-89-19	BC88-476	194
	IX-95-11	BC95-002	344
manufacturer's and contractor's responsibility	IX-89-73	BC90-319	234
	IX-92-07	BC91-156	264

<u>Subject</u>	<u>Interpretation</u>	<u>File No.</u>	<u>Page No.</u>
Welding Procedure Specification (Cont'd)			
	IX-92-80	BC93-584	316
	IX-92-81	BC92-306	316
	IX-95-25	BC95-252	359
	IX-95-26	BC95-303	359
	IX-95-27	BC95-482	360
	IX-95-29	BC95-302	360
	IX-95-40	BC93-431,	376
		BC95-222	
	IX-01-02	BC00-553	419
	IX-98-02	BC97-309	383
meeting requirements of older editions	IX-92-86	BC93-158	318
P-Number	IX-89-36	BC89-357	212
	IX-89-58	BC90-249	221
qualification	IX-89-04	BC88-167	182
	IX-89-35	BC89-307	211
	IX-89-66	BC90-281	226
	IX-95-01	BC94-104	333
requelification of	IX-89-14	BC88-403	187
	IX-89-42	BC89-364	215
	IX-89-17	BC88-473	193
	IX-89-41	BC89-363	214
	IX-89-54	BC89-367	220
	IX-92-38	BC91-630	283
	IX-95-04	BC94-296	335
	IX-95-16	BC95-095	346
short circuiting mode	IX-95-28	BC96-002	360
	IX-95-33	BC96-001	367
supplied to welder	IX-83-17	BC82-422	13
support of	IX-83-146	BC84-619	90
	IX-86-42	BC86-331	141
	IX-86-55	BC86-426	146
	IX-89-26	BC89-103	197
	IX-89-68	BC90-349	227
use for an unassigned material	IX-89-41	BC89-363	214
use of at job sites	IX-83-12	BC82-341	11
use of by subcontractor	IX-86-49	BC86-367	144
weld joint	IX-89-53	BC90-045	219
	IX-95-01	BC94-104	333



ASME BOILER AND PRESSURE VESSEL CODE
AN INTERNATIONAL CODE

IX

**QUALIFICATION
STANDARD FOR
WELDING AND
BRAZING PROCEDURES,
WELDERS, BRAZERS,
AND WELDING AND
BRAZING OPERATORS**

2002 Addenda
July 1, 2002

**ASME BOILER AND
PRESSURE VESSEL
COMMITTEE
SUBCOMMITTEE ON
WELDING**

THE AMERICAN SOCIETY OF MECHANICAL ENGINEERS
NEW YORK, NEW YORK



S090W2

Date of Issuance: July 1, 2002

This international code or standard was developed under procedures accredited as meeting the criteria for American National Standards and it is an American National Standard. The Standards Committee that approved the code or standard was balanced to assure that individuals from competent and concerned interests have had an opportunity to participate. The proposed code or standard was made available for public review and comment that provides an opportunity for additional public input from industry, academia, regulatory agencies, and the public-at-large.

ASME does not "approve," "rate," or "endorse" any item, construction, proprietary device, or activity.

ASME does not take any position with respect to the validity of any patent rights asserted in connection with any items mentioned in this document, and does not undertake to insure anyone utilizing a standard against liability for infringement of any applicable letters patent, nor assume any such liability. Users of a code or standard are expressly advised that determination of the validity of any such patent rights, and the risk of infringement of such rights, is entirely their own responsibility.

Participation by federal agency representative(s) or person(s) affiliated with industry is not to be interpreted as government or industry endorsement of this code or standard.

ASME accepts responsibility for only those interpretations of this document issued in accordance with the established ASME procedures and policies, which precludes the issuance of interpretations by individuals.

The footnotes in this document are part of this American National Standard.

No part of this document may be reproduced in any form, in an electronic retrieval system or otherwise, without the prior written permission of the publisher.

Library of Congress Catalog Card Number: 56-3934
Printed in the United States of America

The American Society of Mechanical Engineers
Three Park Avenue, New York, NY 10016-5990

Copyright © 2002 by
THE AMERICAN SOCIETY OF MECHANICAL ENGINEERS
All Rights Reserved

SUMMARY OF CHANGES

Addenda to the 2001 Edition of the Code are issued in the form of replacement pages. Revisions, additions, or deletions are incorporated directly into the affected pages. It is advisable, however, that all replaced pages be retained for reference.

Replace or insert the pages listed. Changes given below are identified on the pages by a margin note, **A02**, placed next to the affected area. Revisions to the 2001 Edition are indicated by **01**. For the listing below, the *Page* references the affected area. A margin note, **A02**, placed next to the heading indicates *Location*. Revisions are listed under *Change*.

<i>Page</i>	<i>Location</i>	<i>Change</i>
iii	Listing of Sections	Title to Section III, Division 2 revised
xv-xxiv	Roster	Updated to reflect A02
xxv, xxvi	Introduction	Revised
32	QW-257	Under Paragraph, QW-408 revised
47, 47.1	QW-300.2	Revised
49-51.1	QW-304.1	Revised
	QW-305.1	Revised
	QW-321.3	Subparagraphs (b) and (c) revised
54	QW-381(c)	Fifth line revised
63	QW-408.4	Revised
	QW-408.21	Added
73	QW/QB-422	A 182 added
77, 78	QW/QB-422	(1) For SA-240, Type 310H and Type 439, Nominal Composition corrected by Errata (2) For SA-240, Type 409, UNS Nos. 40910, 40920, and 40930 added (3) A 240 added
83	QW/QB-422	A 312 added
90	QW/QB-422	A 403 added
94-96	QW/QB-422	(1) For SA-487, CA15M Cl. A, Nominal Composition corrected by Errata (2) SA-513 added
99, 100	QW/QB-422	First entry for A 575 and A 576 deleted
110	QW/QB-422	SA/EN 10028-3 added
114	QW/QB-422	For SB-187, Minimum Specified Tensile revised
115	QW/QB-422	For SB-210, A91060, Nominal Composition corrected by Errata
116	QW/QB-422	For SB-221, SB-234, and SB-241, Nominal Composition corrected by Errata
118	QW/QB-422	For B 345, A93003, Minimum Specified Tensile corrected by Errata
120-128	QW/QB-422	(1) For SB-366, N06045, Brazing P-No. added by Errata (2) For SB-366, N08031, Welding P-No. corrected by Errata

Subgroup on Design (SC VIII)

U. R. Miller, <i>Chair</i>	K. Mokhtarian
R. E. Knoblock, <i>Secretary</i>	T. P. Pastor
R. J. Basile	M. D. Rana
M. R. Bauman	G. B. Rawls, Jr.
M. R. Breach	C. D. Rodery
S. M. Caldwell	A. Selz
J. R. Farr	S. C. Shah
J. P. Glaspie	J. W. Stokes
W. S. Jacobs	K. K. Tam
G. B. Komora	E. L. Thomas, Jr.
R. W. Mikitka	

Subgroup on Fabrication and Inspection (SC VIII)

C. D. Rodery, <i>Chair</i>	R. A. Johnson
E. A. Steen, <i>Vice Chair</i>	D. J. Kreft
J. L. Arnold	B. R. Morelock
W. J. Bees	F. C. Ouyang
H. E. Gordon	M. J. Pischke
M. J. Houle	M. J. Rice
W. S. Jacobs	

Subgroup on General Requirements (SC VIII)

S. C. Roberts, <i>Chair</i>	W. E. Laveck, Jr.
V. Bogosian	A. S. Mann
M. L. Coats	C. C. Neely
D. B. Demichael	A. S. Olivares
R. M. Elliott	K. J. Schneider
J. P. Glaspie	A. J. Spencer
K. T. Lau	K. K. Tam

Subgroup on Materials (SC VIII)

J. Cameron, <i>Chair</i>	W. M. Lundy
D. C. Agarwal	E. E. Morgeneegg
W. D. Doty	E. G. Nisbett
B. Heuer	D. W. Rahoi
E. L. Hibner	E. Uptis
M. Katcher	

Special Working Group on Graphite Pressure Equipment (SC VIII)

M. D. Johnson, <i>Chair</i>	M. R. Minick
G. Braussen	T. A. Pindroh
F. L. Brown	E. Soltow
S. Malone	A. A. Stupica

Special Working Group on Heat Transfer Equipment (SC VIII)

G. B. Komora, <i>Chair</i>	U. R. Miller
R. P. Zoldak, <i>Secretary</i>	T. W. Norton
G. Auriolles	F. Osweiler
S. M. Caldwell	R. J. Stastny
M. J. Holtz	S. Yokell
R. Mahadeen	

Special Working Group on High-Pressure Vessels (SC VIII)

J. R. Sims, Jr., <i>Chair</i>	P. Jansson
P. A. Reddington, <i>Secretary</i>	J. A. Kapp
L. P. Antalfy	J. Keltjens
J. E. Baxter	D. P. Kendall
R. C. Biel	A. K. Khare
D. J. Burns	S. C. Mordre
P. N. Chaku	G. J. Mraz
R. D. Dixon	K. D. Murphy
R. E. Feigel	S. N. Pagay
D. M. Fryer	E. H. Perez
J. L. Heck, Jr.	D. T. Peters
W. Hiller	E. D. Roll
A. H. Honza	J. F. Sullivan
V. T. Hwang	F. W. Tatar
M. M. James	

SUBCOMMITTEE ON WELDING (SC IX)

J. G. Feldstein, <i>Chair</i>	B. R. Newmark
W. J. Sperko, <i>Vice Chair</i>	P. P. Norris
J. N. Shih, <i>Secretary</i>	A. S. Olivares
D. A. Bowers	M. J. Pischke
M. L. Carpenter	S. D. Reynolds, Jr.
L. P. Connor	M. J. Rice
W. D. Doty	G. W. Spohn III
P. D. Flenner	M. J. Stanko
M. J. Houle	P. L. Van Fosson
S. Katz	R. R. Young
W. M. Lundy	W. K. Scattergood, <i>Honorary Member</i>
R. D. McGuire	
A. H. Miller	

Subgroup on Brazing (SC IX)

M. J. Pischke, <i>Chair</i>	C. F. Jeerings
M. L. Carpenter	A. H. Miller
M. J. Houle	J. P. Swezy

Subgroup on General Requirements (SC IX)

B. R. Newmark, <i>Chair</i>	D. W. Mann
P. R. Evans	A. S. Olivares
P. C. Filean	H. B. Porter
R. M. Jessee	R. A. Weiss
S. Katz	K. R. Willens

Subgroup on Materials (SC IX)

M. L. Carpenter, <i>Chair</i>	H. A. Sadler
L. P. Connor	C. E. Sainz
R. M. Jessee	W. J. Sperko
C. C. Kim	M. J. Stanko
A. H. Miller	R. R. Young

2001 ASME BOILER AND PRESSURE VESSEL CODE

A02

SECTIONS

- I Rules for Construction of Power Boilers
- II Materials
 - Part A — Ferrous Material Specifications
 - Part B — Nonferrous Material Specifications
 - Part C — Specifications for Welding Rods, Electrodes, and Filler Metals
 - Part D — Properties
- III Subsection NCA — General Requirements for Division 1 and Division 2
- III Division 1
 - Subsection NB — Class 1 Components
 - Subsection NC — Class 2 Components
 - Subsection ND — Class 3 Components
 - Subsection NE — Class MC Components
 - Subsection NF — Supports
 - Subsection NG — Core Support Structures
 - Subsection NH — Class 1 Components in Elevated Temperature Service
 - Appendices
- III Division 2 — Code for Concrete Containments
- III Division 3 — Containment Systems for Storage and Transport Packagings of Spent Nuclear Fuel and High Level Radioactive Material and Waste
- IV Rules for Construction of Heating Boilers
- V Nondestructive Examination
- VI Recommended Rules for the Care and Operation of Heating Boilers
- VII Recommended Guidelines for the Care of Power Boilers
- VIII Rules for Construction of Pressure Vessels
 - Division 1
 - Division 2 — Alternative Rules
 - Division 3 — Alternative Rules for Construction of High Pressure Vessels
- IX Welding and Brazing Qualifications
- X Fiber-Reinforced Plastic Pressure Vessels
- XI Rules for Inservice Inspection of Nuclear Power Plant Components

ADDENDA

Colored-sheet Addenda, which include additions and revisions to individual Sections of the Code, are published annually and will be sent automatically to purchasers of the applicable Sections up to the publication of the 2004 Code. The 2001 Code is available only in the loose-leaf format; accordingly, the Addenda will be issued in the loose-leaf, replacement-page format.

INTERPRETATIONS

ASME issues written replies to inquiries concerning interpretation of technical aspects of the Code. The Interpretations for each individual Section will be published separately and will be included as part of the update service to that Section. They will be issued semiannually (July and December) up to the publication of the 2004 Code. Interpretations of Section III, Divisions 1 and 2, will be included with the update service to Subsection NCA.

CODE CASES

The Boiler and Pressure Vessel Committee meets regularly to consider proposed additions and revisions to the Code and to formulate Cases to clarify the intent of existing requirements or provide, when the need is urgent, rules for materials or constructions not covered by existing Code rules. Those Cases which have been adopted will appear in the appropriate 2001 Code Cases book: (1) Boilers and Pressure Vessels and (2) Nuclear Components. Supplements will be sent automatically to the purchasers of the Code Cases books up to the publication of the 2004 Code.

PERSONNEL

ASME Boiler and Pressure Vessel Committee Subcommittees, Subgroups, and Working Groups

As of January 1, 2002

MAIN COMMITTEE

G. G. Karcher, <i>Chair</i>	W. M. Lundy
J. G. Feldstein, <i>Vice Chair</i>	J. R. MacKay
J. S. Brzuszkiewicz, <i>Secretary</i>	T. G. McCarty
R. W. Barnes	U. R. Miller
D. L. Berger	R. A. Moen
M. D. Bernstein	P. A. Molvie
M. N. Bressler	C. C. Neely
D. A. Canonico	T. P. Pastor
F. C. Cherny	C. J. Pieper
D. A. Douin	R. F. Reedy
R. E. Feigel	B. W. Roberts
R. E. Gimple	F. J. Schaaf, Jr.
M. Gold	A. Selz
O. F. Hedden	D. E. Tanner
D. F. Landers	

EXECUTIVE COMMITTEE (MAIN COMMITTEE)

J. G. Feldstein, <i>Chair</i>	M. Gold
G. G. Karcher, <i>Vice Chair</i>	J. R. MacKay
J. S. Brzuszkiewicz, <i>Secretary</i>	T. P. Pastor
R. W. Barnes	A. Selz
D. A. Canonico	A. J. Spencer
R. E. Gimple	D. E. Tanner

HONORARY MEMBERS (MAIN COMMITTEE)

R. D. Bonner	R. C. Griffin
R. J. Bosnak	E. J. Hemzy
G. Bynog	M. H. Jawad
H. M. Canavan	J. E. Lattan
R. J. Cepluch	J. LeCoff
L. J. Chockie	F. N. Moschini
W. E. Cooper	W. E. Somers
W. D. Doty	L. P. Zick, Jr.
J. R. Farr	

HONORS AND AWARDS COMMITTEE

J. R. MacKay, <i>Chair</i>	M. Gold
A. J. Spencer, <i>Vice Chair</i>	F. E. Gregor
G. Moino, <i>Secretary</i>	M. H. Jawad
F. P. Barton	D. P. Jones
M. D. Bernstein	T. P. Pastor
J. G. Feldstein	C. J. Pieper

MARINE CONFERENCE GROUP

J. Tiratto, <i>Chair</i>	J. L. Jones
L. W. Douthwaite	

CONFERENCE COMMITTEE

D. A. Douin — Illinois (<i>Chair</i>)	S. Katz — British Columbia, Canada
R. D. Reetz — North Dakota	M. Kotb — Quebec, Canada
(<i>Vice Chair</i>)	K. T. Lau — Alberta, Canada
D. E. Tanner — Ohio (<i>Secretary</i>)	J. Lemire — California
R. J. Aben, Jr. — Michigan	C. Lundine — Oregon
J. T. Amato — Minnesota	S. E. Lyons — Arkansas
E. A. Anderson — Chicago, Illinois	M. A. Malek — Florida
M. M. Barber — Michigan	G. F. Mankel — Alaska
R. Barlett — Arizona	R. D. Marvin II — Washington
F. P. Barton — Virginia	I. W. Mault — Manitoba, Canada
W. K. Brigham — New Hampshire	H. T. McEwen — Mississippi
D. E. Burns — Nebraska	A. W. Meiring — Indiana
J. H. Burpee — Maine	R. Mile — Ontario, Canada
C. Castle — Nova Scotia, Canada	M. F. Mooney — Massachusetts
R. R. Cate — Louisiana	Y. Nagpaul — Hawaii
L. Chase — Northwest Territories, Canada	J. D. Payton — Pennsylvania
R. A. Coomes — Kentucky	M. R. Peterson — Alaska
J. Corcoran — Connecticut	H. D. Pfaff — South Dakota
D. Eastman — Newfoundland and Labrador, Canada	D. C. Price — Yukon Territory, Canada
G. L. Ebeyer — New Orleans, Louisiana	R. S. Pucek — Wisconsin
J. J. Engelking — Maryland	D. E. Ross — New Brunswick, Canada
E. Everett — Georgia	M. Shuff — West Virginia
P. C. Hackford — Utah	N. Surtees — Saskatchewan, Canada
D. H. Hanrath — North Carolina	M. R. Toth — Tennessee
J. B. Harlan — Delaware	M. J. Verhagen — Wisconsin
M. L. Holloway — Oklahoma	M. Washington — New Jersey
K. Hynes — Prince Edward Island, Canada	R. B. West — Iowa
D. T. Jagger — Ohio	M. J. Wheel — Vermont
D. J. Jenkins — Kansas	R. K. White — New York
	T. F. Wickham — Rhode Island
	C. S. Withers — Colorado

INTERNATIONAL INTEREST REVIEW GROUP

V. Felix	P. Williamson
L. S. Hung	

SUBCOMMITTEE ON POWER BOILERS (SC I)

J. R. MacKay, <i>Chair</i>	R. E. McLaughlin
M. D. Bernstein, <i>Vice Chair</i>	P. A. Molvie
J. N. Shih, <i>Secretary</i>	D. K. Parrish
D. L. Berger	J. T. Pillow
E. Everett	R. G. Presnak
F. R. Gerety	B. W. Roberts
J. Hainsworth	R. D. Schueler, Jr.
T. E. Hansen	J. M. Tanzosh
J. S. Hunter	R. V. Wielgoszinski
C. F. Jeerings	D. N. French, <i>Honorary</i>
H. Lorenz	<i>Member</i>
W. L. Lowry	R. L. Williams, <i>Honorary</i>
T. C. McGough	<i>Member</i>

Subgroup on Design (SC I)

P. A. Molvie, <i>Chair</i>	J. C. Light
M. D. Bernstein	R. D. Schueler, Jr.
M. L. Coats	J. L. Seigle
J. D. Fishburn	N. Surtees
C. F. Jeerings	R. V. Wielgoszinski

Subgroup on Fabrication and Examination (SC I)

D. L. Berger, <i>Chair</i>	T. C. McGough
R. E. McLaughlin, <i>Secretary</i>	S. C. Petitgout
J. Hainsworth	J. T. Pillow
T. E. Hansen	R. D. Schueler, Jr.
J. M. Lyons	R. V. Wielgoszinski

Subgroup on General Requirements (SC I)

R. E. McLaughlin, <i>Chair</i>	C. F. Jeerings
J. Hainsworth, <i>Secretary</i>	J. M. Lyons
D. L. Berger	T. C. McGough
M. D. Bernstein	D. K. Parrish
E. Everett	J. T. Pillow
F. R. Gerety	

Subgroup on Materials (SC I)

B. W. Roberts, <i>Chair</i>	J. P. Libbrecht
J. S. Hunter, <i>Secretary</i>	F. Masuyama
K. K. Coleman	J. M. Tanzosh
K. L. Hayes	H. N. Titer, Jr.
J. F. Henry	

Subgroup on Piping (SC I)

T. E. Hansen, <i>Chair</i>	T. C. McGough
D. L. Berger	R. G. Presnak
M. D. Bernstein	M. W. Smith
P. D. Edwards	E. A. Whittle
W. L. Lowry	

Heat Recovery Steam Generators Task Group (SC I & SC VIII)

J. M. Lyons	D. W. Raho
A. L. Plumley	

SUBCOMMITTEE ON MATERIALS (SC II)

M. Gold, <i>Chair</i>	F. Masuyama
R. A. Moen, <i>Vice Chair</i>	J. R. Maurer
N. Lobo, <i>Secretary</i>	R. K. Nanstad
D. C. Agarwal	M. L. Nayyar
W. R. Applett, Jr.	E. G. Nisbett
M. N. Bressler	J. T. Parsons
J. Cameron	D. W. Raho
D. A. Canonico	B. W. Roberts
W. D. Doty	R. R. Seeley
A. Fujio	E. Shapiro
D. W. Gandy	C. E. Spaeder, Jr.
M. H. Gilkey	R. W. Swindeman
J. J. Heger	J. M. Tanzosh
J. F. Henry	B. E. Thurgood
C. L. Hoffmann	J. C. Vaillant
G. C. Hsu	R. S. Vecchio

Honorary Members (SC II)

A. P. Ahrendt	W. D. Edsall
R. Dirscherl	A. W. Zeuthen

Subgroup on External Pressure (SC II & SC-D)

R. W. Mikitka, <i>Chair</i>	D. L. Kurle
B. R. Morelock, <i>Secretary</i>	E. Michalopoulos
D. C. Agarwal	D. Nadel
D. J. Green	D. F. Shaw
D. S. Griffin	C. E. Spaeder, Jr.
M. Katcher	C. H. Sturgeon

Subgroup on Ferrous Specifications (SC II)

E. G. Nisbett, <i>Chair</i>	J. F. Longenecker
K. L. Aber	W. C. Mack
A. Appleton	J. R. Maurer
R. M. Davison	A. S. Melilli
B. M. Dingman	K. E. Orie
T. Graham	E. Upitis
W. N. Holliday	R. Zawierucha
K. M. Hottle	A. W. Zeuthen
D. Janikowski	R. H. Zong
D. C. Krouse	

Subgroup on International Material Specifications (SC II)

W. M. Lundy, <i>Secretary</i>	F. Osweiler
D. C. Agarwal	J. T. Parsons
J. Cameron	R. D. Schueler, Jr.
W. D. Doty	R. R. Seeley
D. M. Fryer	R. C. Soim
J. P. Glaspie	E. A. Steen
M. Gold	E. Upitis
M. Higuchi	

Subgroup on Nonferrous Alloys (SC II)

D. W. Rahoï, <i>Chair</i>	E. L. Hibner
D. C. Agarwal, <i>Secretary</i>	G. C. Hsu
W. R. Apblett, Jr.	M. Katcher
H. D. Bushfield	A. G. Kireta, Jr.
L. G. Coffee	R. Kissell
A. Cohen	E. Shapiro
M. H. Gilkey	R. C. Sutherlin
B. Heuer	R. Zawierucha

Subgroup on Strength, Ferrous Alloys (SC II)

C. L. Hoffmann, <i>Chair</i>	F. Masuyama
J. M. Tanzosh, <i>Secretary</i>	R. A. Moen
W. R. Apblett, Jr.	D. W. Rahoï
D. A. Canonico	B. W. Roberts
K. K. Coleman	R. R. Seeley
A. Fujio	C. E. Spaeder, Jr.
M. Gold	R. W. Swindeman
J. J. Heger	B. E. Thurgood
S. Kinomura	T. P. Vassallo

Subgroup on Strength of Weldments (SC II & SC IX)

J. M. Tanzosh, <i>Chair</i>	J. F. Henry
K. K. Coleman	D. W. Rahoï
W. D. Doty	C. E. Spaeder, Jr.
K. L. Hayes	W. J. Sperko

Subgroup on Toughness (SC II & VIII)

W. S. Jacobs, <i>Chair</i>	C. C. Neely
J. L. Arnold	T. T. Phillips
R. J. Basile	M. D. Rana
J. Cameron	R. R. Seeley
W. D. Doty	J. W. Stokes
H. E. Gordon	E. Uptis
G. B. Komora	R. S. Vecchio
K. Mokhtarian	S. Yukawa

SUBCOMMITTEE ON NUCLEAR POWER (SC III)

R. W. Barnes, <i>Chair</i>	R. S. Hill III
R. M. Jessee, <i>Vice Chair</i>	C. L. Hoffmann
C. A. Sanna, <i>Secretary</i>	K.-H. Hsu
Y. Asada	C. C. Kim
W. H. Borter	D. F. Landers
E. B. Branch	W. C. LaRochelle
M. N. Bressler	E. A. Mayhew
F. C. Cherny	W. N. McLean
R. E. Cornman, Jr.	R. A. Moen
R. P. Deubler	D. B. Nickerson
W. D. Doty	R. F. Reedy
F. R. Drahos	B. B. Scott
B. A. Erler	J. D. Stevenson
G. M. Foster	K. R. Wichman
D. H. Hanrath	

Subgroup on Containment Systems for Spent Fuel and High-Level Waste Transport Packagings (SC III)

G. M. Foster, <i>Chair</i>	G. C. Mok
G. J. Solovey, <i>Vice Chair</i>	T. J. Neider
D. K. Morton, <i>Secretary</i>	R. E. Nickell
W. H. Borter	T. J. O'Connell
J. T. Conner	T. Saegusa
E. L. Farrow	N. M. Simpson
J. M. Floyd	R. H. Smith
D. R. Heath	J. D. Stevenson
R. S. Hill III	C. J. Temus
W. H. Lake	P. Turula
H. W. Lee	S. Yukawa
P. E. McConnell	

Subgroup on Design (SC III)

R. P. Deubler, <i>Chair</i>	R. S. Hill III
E. B. Branch, <i>Vice Chair</i>	R. I. Jetter
A. N. Nguyen, <i>Secretary</i>	H. Kobayashi
T. M. Adams	J. T. Land
Y. Asada	D. F. Landers
R. W. Barnes	W. N. McLean
M. N. Bressler	J. C. Minichiello
C. W. Bruny	W. Z. Novak
D. L. Caldwell	E. C. Rodabaugh
J. R. Cole	I. Saito
R. E. Cornman, Jr.	J. R. Santangelo
A. A. Dermenjjan	G. C. Slagis
D. H. Hanrath	J. D. Stevenson
R. W. Haupt	K. R. Wichman

Working Group on Administration (SG-D) (SC III)

E. B. Branch, <i>Chair</i>	D. F. Landers
R. W. Barnes, <i>Vice Chair</i>	W. N. McLean
R. S. Hill III, <i>Secretary</i>	D. B. Nickerson
C. W. Bruny	W. Z. Novak
R. P. Deubler	J. R. Santangelo
J. T. Land	

Working Group on Supports (SG-D) (SC III)

R. J. Masterson, <i>Chair</i>	J. C. Hennart
R. M. Dulin, Jr., <i>Secretary</i>	A. N. Nguyen
U. S. Bandyopadhyay	P. R. Olson
F. J. Birch	I. Saito
J. R. Cole	J. R. Stinson
R. P. Deubler	D. V. Walshe
J. C. Finneran, Jr.	C.-I. Wu

Working Group on Core Support Structures (SG-D) (SC III)

J. T. Land, <i>Chair</i>	J. F. Mullooly
--------------------------	----------------

**Working Group on Dynamic and Extreme Load Conditions
(SG-D) (SC III)**

D. L. Caldwell, <i>Chair</i>	W. S. LaPay
P. L. Anderson, <i>Secretary</i>	H. Lockert
M. K. Au-Yang	A. E. Meligi
R. D. Blevins	P. R. Olson
P.-Y. Chen	R. F. Perry
A. Hadjian	

Working Group on Piping (SG-D) (SC III)

J. R. Cole, <i>Chair</i>	J. F. McCabe
P. Hirschberg, <i>Secretary</i>	J. C. Minichiello
T. M. Adams	S. E. Moore
G. A. Antaki	A. N. Nguyen
J. T. Conner	O. O. Oyamada
A. B. Glickstein	R. D. Patel
R. J. Gurdal	E. C. Rodabaugh
R. W. Haupt	J. R. Santangelo
J. C. Hennart	M. S. Sills
R. S. Hill III	G. C. Slagis
R. D. Hookway	V. K. Verma
R. B. Jenkins	E. A. Wais
D. F. Landers	C.-I. Wu
K. A. Manoly	

Working Group on Pumps (SG-D) (SC III)

R. E. Cornman, Jr., <i>Chair</i>	J. E. Livingston
H. L. Brammer	D. B. Nickerson
A. A. Fraser	R. A. Schussler
M. Higuchi	D. B. Spencer, Jr.
G. R. Jones	H. Tafarrodi
J. W. Leavitt	G. K. Vaghasia

Working Group on Valves (SG-D) (SC III)

W. N. McLean, <i>Chair</i>	S. N. Shields
R. R. Brodin	H. R. Sonderegger
R. Koester	J. C. Tsacoyeanes
J. D. Page	R. G. Visalli

Working Group on Vessels (SG-D) (SC III)

C. W. Bruny, <i>Chair</i>	K. A. Manoly
G. D. Cooper	D. E. Matthews
D. H. Hanrath	G. K. Miller
M. Hartzman	W. Z. Novak
W. J. Heilker	E. Pelling
A. Kalnins	H. S. Thornton
T. M. Khan	

Special Working Group on Environmental Effects (SG-D) (SC III)

W. Z. Novak, <i>Chair</i>	C. L. Hoffmann
Y. Asada	R. A. Moen
W. J. Heilker	S. Yukawa
R. S. Hill III	

Special Working Group on Seismic Piping Rules (SG-D) (SC III)

E. B. Branch, <i>Chair</i>	V. Matzen
T. M. Adams	J. C. Minichiello
G. A. Antaki	M. S. Sills
K. Hasegawa	Y. Urabe
T. Isogai	E. A. Wais
H. Kobayashi	T. Yamazaki

Subgroup on General Requirements (SC III & SC 3C)

W. C. LaRochelle, <i>Chair</i>	R. Mile
A. Appleton	M. R. Minick
B. H. Berg	B. B. Scott
C. Lizotte	H. K. Sharma
E. A. Mayhew	D. M. Vickery
R. P. McIntyre	D. V. Walshe
M. J. Meyer	

Subgroup on Materials, Fabrication, and Examination (SC III)

C. L. Hoffmann, <i>Chair</i>	C. C. Kim
G. P. Milley, <i>Secretary</i>	R. A. Moen
B. H. Berg	H. Murakami
W. H. Bortor	C. J. Pieper
D. M. Doyle	N. M. Simpson
F. R. Drahos	R. C. Soin
G. M. Foster	W. J. Sperko
G. B. Georgiev	K. B. Stuckey
J. E. Harris	S. Yukawa
R. M. Jessee	

Subgroup on Pressure Relief (SC III)

S. F. Harrison, Jr., <i>Chair</i>	A. L. Szeplin
F. C. Cherny	D. G. Thibault
E. M. Petrosky	

Special Working Group on Editing and Review (SC III)

R. F. Reedy, <i>Chair</i>	B. A. Erler
W. H. Bortor	D. H. Hanrath
M. N. Bressler	W. C. LaRochelle
D. L. Caldwell	J. D. Stevenson
R. P. Deubler	

**JOINT ACI-ASME COMMITTEE ON
CONCRETE COMPONENTS FOR NUCLEAR SERVICE (SC 3C)**

M. F. Hessheimer, <i>Chair</i>	T. C. Inman
S. J. Rossi, <i>Secretary</i>	D. C. Jeng
J. P. Allen III	T. E. Johnson
J. F. Artuso	N.-H. Lee
R. M. Attar	S. F. Putman
A. C. Eberhardt	B. B. Scott
B. A. Erler	R. E. Shewmaker
J. Gutierrez	J. D. Stevenson
D. J. Haavik	A. Y. Wong

SUBCOMMITTEE ON HEATING BOILERS (SC IV)

P. A. Molvie, <i>Chair</i>	K. R. Moskwa
S. V. Voorhees, <i>Vice Chair</i>	R. I. Mullican
G. Moino, <i>Secretary</i>	E. A. Nordstrom
T. L. Bedeaux	J. L. Seigle
W. L. Haag, Jr.	R. H. Weigel
W. M. Hiddleston	R. V. Wielgoszinski
J. D. Hoh	J. I. Woodworth
D. H. Mapes	R. B. Duggan, <i>Honorary Member</i>
K. M. McTague	

Subgroup on Care and Operation of Heating Boilers (SC IV)

S. V. Voorhees, <i>Chair</i>	K. M. McTague
G. Moino, <i>Secretary</i>	P. A. Molvie
T. L. Bedeaux	R. I. Mullican
K. J. Hoey	T. F. Wickham
J. D. Hoh	

Subgroup on Cast Iron Boilers (SC IV)

K. M. McTague, <i>Chair</i>	K. R. Moskwa
T. L. Bedeaux	R. H. Weigel
C. P. McQuiggan	J. I. Woodworth

Subgroup on Water Heaters (SC IV)

W. L. Haag, Jr., <i>Chair</i>	R. I. Mullican
T. D. Gantt	D. E. Tanner
W. M. Hiddleston	M. A. Taylor
F. M. Lucas	T. E. Trant
K. M. McTague	

Subgroup on Welded Boilers (SC IV)

J. L. Seigle, <i>Chair</i>	E. A. Nordstrom
T. L. Bedeaux	R. P. Sullivan
B. G. French	D. E. Tanner
D. H. Mapes	R. V. Wielgoszinski

**SUBCOMMITTEE ON
NONDESTRUCTIVE EXAMINATION (SC V)**

T. G. McCarty, <i>Chair</i>	F. B. Kovacs
J. E. Batey, <i>Vice Chair</i>	R. W. Kruzic
E. H. Maradiaga, <i>Secretary</i>	J. F. Manning
S. J. Akrin	W. C. McCaughey
A. S. Birks	R. D. McGuire
N. Y. Faransso	F. J. Sattler
O. F. Hedden	E. F. Summers, Jr.
G. W. Hembree	M. J. Wheel

**Subgroup on General Requirements/
Personnel Qualifications and Inquiries (SC V)**

R. D. McGuire, <i>Chair</i>	G. W. Hembree
J. E. Batey	J. R. MacKay
A. S. Birks	J. P. Swezy
N. Y. Faransso	

Subgroup on Surface Examination Methods (SC V)

A. S. Birks, <i>Chair</i>	R. W. Kruzic
S. J. Akrin	F. J. Sattler
T. Alexander	E. F. Summers, Jr.
N. Y. Faransso	R. J. Valdes
G. W. Hembree	M. J. Wheel

Subgroup on Volumetric Methods (SC V)

J. E. Batey, <i>Chair</i>	R. W. Kruzic
S. J. Akrin	J. F. Manning
N. Y. Faransso	W. C. McCaughey
G. W. Hembree	J. R. Mitchell
B. Kellerhall	F. J. Sattler
E. K. Kietzman	E. F. Summers, Jr.
F. B. Kovacs	J. P. Swezy

Working Group on Acoustic Emissions (SG-VM) (SC V)

J. E. Batey	J. R. Mitchell
J. F. Manning	

Working Group on Radiography (SG-VM) (SC V)

G. W. Hembree, <i>Chair</i>	F. B. Kovacs
S. J. Akrin	R. W. Kruzic
T. Alexander	E. F. Summers, Jr.
J. E. Batey	J. P. Swezy
N. Y. Faransso	

Working Group on Ultrasonics (SG-VM) (SC V)

N. Y. Faransso	R. W. Kruzic
O. F. Hedden	J. F. Manning
B. Kellerhall	W. C. McCaughey
E. K. Kietzman	F. J. Sattler

SUBCOMMITTEE ON PRESSURE VESSELS (SC VIII)

T. P. Pastor, <i>Chair</i>	R. W. Mikitka
K. Mokhtarian, <i>Vice Chair</i>	U. R. Miller
A. J. Roby, <i>Secretary</i>	C. C. Neely
R. J. Basile	M. J. Pischke
V. Bogosian	M. D. Rana
J. Cameron	S. C. Roberts
R. M. Elliott	C. D. Rodery
R. E. Feigel	K. J. Schneider
J. G. Feldstein	A. Selz
J. P. Glaspie	J. R. Sims, Jr.
M. J. Houle	A. J. Spencer
W. S. Jacobs	E. A. Steen
G. G. Karcher	K. K. Tam
G. B. Komora	E. L. Thomas, Jr.
K. T. Lau	E. Uptis

Subgroup on Design (SC VIII)

U. R. Miller, <i>Chair</i>	K. Mokhtarian
R. E. Knoblock, <i>Secretary</i>	T. P. Pastor
R. J. Basile	M. D. Rana
M. R. Bauman	G. B. Rawls, Jr.
M. R. Breach	C. D. Rodery
S. M. Caldwell	A. Selz
J. R. Farr	S. C. Shah
J. P. Glaspie	J. W. Stokes
W. S. Jacobs	K. K. Tam
G. B. Komora	E. L. Thomas, Jr.
R. W. Mikitka	

Subgroup on Fabrication and Inspection (SC VIII)

C. D. Rodery, <i>Chair</i>	R. A. Johnson
E. A. Steen, <i>Vice Chair</i>	D. J. Kreft
J. L. Arnold	B. R. Morelock
W. J. Bees	F. C. Ouyang
H. E. Gordon	M. J. Pischke
M. J. Houle	M. J. Rice
W. S. Jacobs	

Subgroup on General Requirements (SC VIII)

S. C. Roberts, <i>Chair</i>	W. E. Laveck, Jr.
V. Bogosian	A. S. Mann
M. L. Coats	C. C. Neely
D. B. Demichael	A. S. Olivares
R. M. Elliott	K. J. Schneider
J. P. Glaspie	A. J. Spencer
K. T. Lau	K. K. Tam

Subgroup on Materials (SC VIII)

J. Cameron, <i>Chair</i>	W. M. Lundy
D. C. Agarwal	E. E. Morgeneegg
W. D. Doty	E. G. Nisbett
B. Heuer	D. W. Rahoi
E. L. Hibner	E. Uptis
M. Katcher	

Special Working Group on Graphite Pressure Equipment (SC VIII)

M. D. Johnson, <i>Chair</i>	M. R. Minick
G. Braussen	T. A. Pindroh
F. L. Brown	E. Soltow
S. Malone	A. A. Stupica

Special Working Group on Heat Transfer Equipment (SC VIII)

G. B. Komora, <i>Chair</i>	U. R. Miller
R. P. Zoldak, <i>Secretary</i>	T. W. Norton
G. Auriolles	F. Osweiler
S. M. Caldwell	R. J. Stastny
M. J. Holtz	S. Yokell
R. Mahadeen	

Special Working Group on High-Pressure Vessels (SC VIII)

J. R. Sims, Jr., <i>Chair</i>	P. Jansson
P. A. Reddington, <i>Secretary</i>	J. A. Kapp
L. P. Antalfy	J. Keltjens
J. E. Baxter	D. P. Kendall
R. C. Biel	A. K. Khare
D. J. Burns	S. C. Mordre
P. N. Chaku	G. J. Mraz
R. D. Dixon	K. D. Murphy
R. E. Feigel	S. N. Pagay
D. M. Fryer	E. H. Perez
J. L. Heck, Jr.	D. T. Peters
W. Hiller	E. D. Roll
A. H. Honza	J. F. Sullivan
V. T. Hwang	F. W. Tatar
M. M. James	

SUBCOMMITTEE ON WELDING (SC IX)

J. G. Feldstein, <i>Chair</i>	B. R. Newmark
W. J. Sperko, <i>Vice Chair</i>	P. P. Norris
J. N. Shih, <i>Secretary</i>	A. S. Olivares
D. A. Bowers	M. J. Pischke
M. L. Carpenter	S. D. Reynolds, Jr.
L. P. Connor	M. J. Rice
W. D. Doty	G. W. Spohn III
P. D. Flenner	M. J. Stanko
M. J. Houle	P. L. Van Fosson
S. Katz	R. R. Young
W. M. Lundy	W. K. Scattergood, <i>Honorary Member</i>
R. D. McGuire	
A. H. Miller	

Subgroup on Brazing (SC IX)

M. J. Pischke, <i>Chair</i>	C. F. Jeerings
M. L. Carpenter	A. H. Miller
M. J. Houle	J. P. Swezy

Subgroup on General Requirements (SC IX)

B. R. Newmark, <i>Chair</i>	D. W. Mann
P. R. Evans	A. S. Olivares
P. C. Filean	H. B. Porter
R. M. Jessee	R. A. Weiss
S. Katz	K. R. Willens

Subgroup on Materials (SC IX)

M. L. Carpenter, <i>Chair</i>	H. A. Sadler
L. P. Connor	C. E. Sainz
R. M. Jessee	W. J. Sperko
C. C. Kim	M. J. Stanko
A. H. Miller	R. R. Young

Subgroup on Performance Qualification (SC IX)

D. A. Bowers, <i>Chair</i>	G. Herrmann
V. A. Bell	M. J. Houle
L. P. Connor	W. M. Lundy
R. A. Coomes	R. D. McGuire
R. B. Corbit	P. P. Norris
P. D. Flenner	G. W. Spohn III
K. L. Hayes	

Subgroup on Procedure Qualification (SC IX)

D. A. Bowers, <i>Chair</i>	S. D. Reynolds, Jr.
R. K. Brown, Jr.	W. J. Sperko
D. W. Mann	J. P. Swezy
A. H. Miller	P. L. Van Fosson
P. P. Norris	T. C. Wiesner
A. S. Olivares	P. R. Wilt
F. C. Ouyang	

**SUBCOMMITTEE ON
FIBER-REINFORCED PLASTIC PRESSURE VESSELS (SC X)**

D. Eisberg, <i>Chair</i>	A. L. Newberry
P. J. Conlisk, <i>Vice Chair</i>	D. J. Painter
A. J. Roby, <i>Secretary</i>	D. J. Pinell
F. L. Brown	J. R. Richter
J. L. Bustillos	J. A. Rolston
T. W. Cowley	V. Sanchez
T. J. Fowler	B. F. Shelley
L. E. Hunt	J. H. Skaggs
J. C. Murphy	D. O. Yancey, Jr.

**SUBCOMMITTEE ON
NUCLEAR INSERVICE INSPECTION (SC XI)**

R. E. Gimple, <i>Chair</i>	T. F. Lentz
R. L. Dyle, <i>Vice Chair</i>	J. T. Lindberg
O. Martinez, <i>Secretary</i>	W. E. Norris
W. H. Bamford, Jr.	G. C. Park
R. L. Beverly	P. C. Riccardella
C. D. Cowfer	A. T. Roberts III
D. D. Davis	W. R. Rogers
T. N. Epps III	L. Sage
E. L. Farrow	F. J. Schaaf, Jr.
F. E. Gregor	R. J. Scott
O. F. Hedden	J. C. Spanner, Jr.
W. C. Holston	J. E. Staffiera
K. Iida	R. W. Swayne
R. D. Kerr	R. A. Yonekawa
D. F. Landers	K. K. Yoon

Honorary Members (SC XI)

S. H. Bush	J. P. Houstrup
L. J. Chockie	L. R. Katz

Subgroup on Evaluation Standards (SC XI)

W. H. Bamford, Jr., <i>Chair</i>	S. Ranganath
M. Kupinski, <i>Secretary</i>	P. C. Riccardella
J. M. Bloom	D. A. Scarth
R. C. Cipolla	W. L. Server
R. M. Gamble	C. A. Tomes
T. J. Griesbach	A. Van Der Sluys
K. Hasegawa	K. R. Wichman
P. J. Hijeck	G. M. Wilkowski
D. N. Hopkins	K. K. Yoon
K. Iida	S. Yukawa
Y. Imamura	

Working Group on Flaw Evaluation (SG-ES) (SC XI)

R. C. Cipolla, <i>Chair</i>	J. S. Panesar
G. H. De Boo, <i>Secretary</i>	R. K. Qashu
W. H. Bamford, Jr.	S. Ranganath
M. Basol	D. A. Scarth
J. M. Bloom	T. S. Schurman
E. Friedman	W. L. Server
T. J. Griesbach	F. A. Simonen
F. D. Hayes	K. R. Wichman
D. N. Hopkins	G. M. Wilkowski
K. Iida	K. K. Yoon
Y. Imamura	S. Yukawa
M. Kupinski	A. Zahoor
H. S. Mehta	V. A. Zilberstein
J. G. Merkle	

Working Group on Operating Plant Criteria (SG-ES) (SC XI)

T. J. Griesbach, <i>Chair</i>	R. Pace
W. H. Bamford, Jr.	J. S. Panesar
H. Behnke	D. W. Peltola
B. A. Bishop	J. R. Pfefferle
W. F. Brady	S. Ranganath
E. Friedman	S. T. Rosinski
S. R. Gosselin	W. L. Server
P. J. Hijeck	E. A. Siegel
M. Kupinski	F. A. Simonen
S. D. Leshnoff	G. L. Stevens
P. Manbeck	K. K. Yoon
H. S. Mehta	S. Yukawa

Working Group on Pipe Flaw Evaluation (SG-ES) (SC XI)

D. A. Scarth, <i>Chair</i>	P. H. Hoang
G. M. Wilkowski, <i>Secretary</i>	D. N. Hopkins
W. H. Bamford, Jr.	K. Iida
R. C. Cipolla	K. K. Kashima
N. G. Cofie	H. S. Mehta
S. K. Daftuar	J. S. Panesar
G. H. De Boo	K. K. Yoon
E. Friedman	S. Yukawa
L. F. Goyette	A. Zahoor
K. Hasegawa	V. A. Zilberstein

Subgroup on Liquid-Metal-Cooled Systems (SC XI)

C. G. McCargar, <i>Chair</i>	R. Hundal
W. L. Chase	R. W. King
S. Hattori	W. Kwant

**Working Group on Liquid-Metal Reactor Covers
(SG-LMCS) (SC XI)**

W. L. Chase, *Chair*
S. Hattori

R. Hundal

Subgroup on Nondestructive Examination (SC XI)

J. C. Spanner, Jr., *Chair*
C. J. Wirtz, *Secretary*
D. C. Adamonis
N. R. Bentley
B. Bevins
C. B. Cheezem
C. D. Cowfer
F. J. Dodd

T. N. Epps III
D. O. Henry
M. R. Hum
G. A. Lofthus
J. J. McArdle III
M. C. Modes
F. J. Schaaf, Jr.
M. F. Sherwin

**Working Group on Personnel Qualification and Surface,
Visual, and Eddy Current Examination (SG-NDE) (SC XI)**

J. J. McArdle III, *Chair*
M. F. Sherwin, *Secretary*
D. R. Cordes
B. L. Curtis
D. O. Henry
A. S. Reed

D. Spake
J. C. Spanner, Jr.
S. H. Von Fuchs
D. S. Whitcomb
C. J. Wirtz

Working Group on Pressure Testing (SG-NDE) (SC XI)

D. W. Lamond, *Chair*
J. M. Boughman, *Secretary*
T. M. Anselmi
T. R. Bugelholl
J. J. Churchwell

R. J. Cimoch
G. L. Fechter
A. Lee
J. K. McClanahan
B. L. Montgomery

**Working Group on Procedure Qualification
and Volumetric Examination (SG-NDE) (SC XI)**

M. C. Modes, *Chair*
B. Bevins, *Secretary*
F. L. Becker
N. R. Bentley
C. B. Cheezem
S. R. Doctor
F. J. Dodd

T. N. Epps III
B. Kellerhall
D. B. King
D. Kurek
G. L. Lagleder
G. A. Lofthus
S. M. Walker

Subgroup on Repairs, Replacements, and Modifications (SC XI)

W. C. Holston, *Chair*
D. E. Waskey, *Secretary*
M. N. Bressler
R. E. Cantrell
P. D. Fisher
R. E. Gimple
C. E. Hartz
R. A. Hermann
T. E. Hiss
E. V. Imbro

R. D. Kerr
D. F. Landers
M. S. McDonald
W. R. Rogers
R. J. Scott
R. R. Stevenson
R. W. Swayne
S. M. Swilley
R. A. Yonekawa

Working Group on Design Reconciliation (SG-RR&M) (SC XI)

T. E. Hiss, *Chair*
J. T. Conner, *Secretary*
S. B. Brown
E. B. Gerlach
W. C. Holston

E. V. Imbro
D. F. Landers
W. R. Rogers
R. W. Swayne
A. H. Taufique

**Working Group on Responsibilities and Program Requirements
(SG-RR&M) (SC XI)**

R. A. Yonekawa, *Chair*
R. R. Stevenson, *Secretary*
S. K. Fisher
D. R. Graham

C. E. Hartz
M. F. Hendricks
M. S. McDonald
S. M. Swilley

**Working Group on Welding and Special Repair Process
(SG-RR&M) (SC XI)**

D. E. Waskey, *Chair*
R. E. Cantrell, *Secretary*
G. Cheruvenki
P. D. Fisher
A. J. Giannuzzi
R. A. Hermann
R. P. Indap

R. D. Kerr
C. C. Kim
M. Lau
B. R. Newton
P. P. Norris
J. E. O'Sullivan
K. R. Willens

Subgroup on Water-Cooled Systems (SC XI)

G. C. Park, *Chair*
K. B. Thomas, *Secretary*
J. M. Agold
G. L. Belew
J. M. Boughman
W. J. Briggs
T. R. Bugelholl
R. E. Ciemiewicz
D. D. Davis
R. L. Dyle
E. L. Farrow
O. F. Hedden
M. L. Herrera
S. D. Kulat

D. W. Lamond
T. F. Lentz
J. T. Lindberg
M. P. Lintz
W. E. Norris
C. Pendleton
J. E. Staffiera
H. M. Stephens
E. Throckmorton
S. M. Walker
R. A. West
J. Whitman
H. Graves, *Alternate*

Working Group on Containment (SG-WCS) (SC XI)

J. E. Staffiera, *Chair*
H. M. Stephens, *Secretary*
H. G. Ashar
W. J. Briggs
K. K. N. Chao
R. C. Cox
M. J. Ferlisi
H. Graves

H. T. Hill
R. D. Hough
C. N. Krishnaswamy
W. M. Lazear
M. P. Lintz
D. Naus
S. C. Petitgout
G. W. Robin

**Working Group on Implementation of Risk-Based Examination
(SG-WCS) (SC XI)**

S. D. Kulat, <i>Chair</i>	J. T. Lindberg
J. M. Agold, <i>Secretary</i>	I. Mach
S. A. Ali	R. K. Mattu
B. A. Bishop	A. McNeill III
J. W. Connor	P. J. O'Regan
H. Q. Do	M. J. Paterak
R. Fougousse	J. H. Phillips
S. R. Gosselin	F. A. Simonen
M. R. Graybeal	R. A. West
M. L. Herrera	D. S. Whitcomb

**Working Group on Inspection of Systems and Components
(SG-WCS) (SC XI)**

E. Throckmorton, <i>Chair</i>	I. Mach
J. Whitman, <i>Secretary</i>	T. K. McLellan
G. L. Belew	C. Pendleton
H. Q. Do	C. M. Ross
R. Fougousse	D. Song
M. R. Hum	K. B. Thomas
S. D. Kulat	R. A. West
J. T. Lindberg	

Working Group on General Requirements (SC XI)

A. T. Roberts III, <i>Chair</i>	R. K. Mattu
R. G. Edl, <i>Secretary</i>	K. Rhyne
D. A. Jackson	L. Sage
D. W. Kinley III	R. J. Scott
E. J. Maloney	

Special Working Group on Editing and Review (SC XI)

R. W. Swayne, <i>Chair</i>	L. Sage
R. L. Beverly	J. E. Staffiera
M. P. Lintz	C. J. Wirtz

Special Working Group on Plant Life Extension (SC XI)

F. E. Gregor, <i>Chair</i>	D. D. Davis
M. P. Lintz, <i>Secretary</i>	P.-T. Kuo
T. M. Anselmi	W. M. Lazear
W. F. Brady	T. A. Meyer

SUBCOMMITTEE ON TRANSPORT TANKS (SC XII)

A. Selz, <i>Chair</i>	J. H. Rader
P. D. Stumpf, <i>Secretary</i>	M. D. Rana
A. N. Antoniou	C. M. Serratella
C. Becht IV	S. Staniszewski
C. H. Hochman	G. R. Stoeckinger
J. E. Jones	N. Surtees
G. G. Karcher	A. P. Varghese
G. McRae	S. V. Voorhees
M. R. Minick	C. H. Walters

Subgroup on Design and Materials (SC XII)

M. D. Rana, <i>Chair</i>	T. P. Pastor
C. Becht IV	J. L. Rademacher
D. A. Canonico	T. A. Rogers
W. D. Doty	C. M. Serratella
G. G. Karcher	A. P. Varghese
P. P. Laluc	M. R. Ward
M. Manikkam	E. A. Whittle
S. L. McWilliams	

Subgroup on Fabrication and Inspection (SC XII)

S. V. Voorhees, <i>Chair</i>	L. D. Holsinger
M. Burch	J. E. Jones
D. A. Canonico	D. J. Kreft
M. L. Coats	G. McRae
J. J. Engelking	M. R. Minick
B. L. Gehl	N. Surtees
M. Hennemand	

Subgroup on General Requirements (SC XII)

C. H. Hochman, <i>Chair</i>	K. L. Gilmore
T. Alexander	J. C. Keenan
D. M. Allbritten	T. B. Lee
C. A. Betts	F. A. Licari
J. F. Cannon	G. R. Stoeckinger
J. L. Freiler	C. H. Walters
W. L. Garfield	L. Wolpert
M. A. Garrett	

**SUBCOMMITTEE ON BOILER AND
PRESSURE VESSEL ACCREDITATION (SC-BPVA)**

A. J. Spencer, <i>Chair</i>	B. C. Turczynski
C. E. Ford, <i>Vice Chair</i>	W. J. Bees, <i>Alternate</i>
K. I. Baron, <i>Secretary</i>	V. A. Bell, <i>Alternate</i>
M. B. Doherty	M. A. DeVries, <i>Alternate</i>
P. D. Edwards	T. E. Hansen, <i>Alternate</i>
R. M. Elliott	L. J. Kuchera, <i>Alternate</i>
R. C. Howard	W. C. LaRochelle, <i>Alternate</i>
B. B. MacDonald	K. M. McTague, <i>Alternate</i>
M. L. Sisk	G. P. Milley, <i>Alternate</i>
N. Surtees	B. R. Morelock, <i>Alternate</i>

SUBCOMMITTEE ON NUCLEAR ACCREDITATION (SC-NA)

T. E. Quaka, <i>Chair</i>	R. E. Ciemiewicz, <i>Alternate</i>
R. R. Stevenson, <i>Vice Chair</i>	S. Dasgupta, <i>Alternate</i>
M. C. Tromba, <i>Secretary</i>	P. D. Edwards, <i>Alternate</i>
V. Bogosian	S. M. Goodwin, <i>Alternate</i>
M. N. Bressler	D. H. Hanrath, <i>Alternate</i>
G. Deily	R. C. Howard, <i>Alternate</i>
F. R. Drahos	K. A. Huber, <i>Alternate</i>
J. E. Harris	C. Lizotte, <i>Alternate</i>
M. Higuchi	A. A. Lotfi, <i>Alternate</i>
M. Kotb	M. R. Minick, <i>Alternate</i>
W. C. LaRochelle	J. W. Stokes, <i>Alternate</i>
R. P. McIntyre	T. Suzuki, <i>Alternate</i>
H. B. Prasse	O. E. Trapp, <i>Staff Representative</i>
A. T. Roberts III	
A. J. Spencer	

SUBCOMMITTEE ON DESIGN (SC-D)

D. P. Jones, <i>Chair</i>	R. W. Mikitka
E. H. Maradiaga, <i>Secretary</i>	U. R. Miller
R. W. Barnes	W. J. O'Donnell
C. Becht IV	R. D. Schueler, Jr.
M. R. Breach	A. Selz
G. G. Graven	

Subgroup on Design Analysis (SC-D)

M. R. Breach	A. Kalnins
P. J. Conlisk	W. J. Koves
R. J. Gurdal	O. Maekawa
J. L. Hechmer	G. Taxacher
G. L. Hollinger	E. L. Thomas, Jr.
D. P. Jones	R. A. Whipple

Subgroup on Elevated Temperature Design (SC-D)

C. Becht IV, <i>Chair</i>	W. J. O'Donnell
J. M. Corum, <i>Secretary</i>	D. A. Osage
C. R. Brinkman	J. S. Porowski
R. D. Campbell	C. C. Schultz, Jr.
D. S. Griffin	L. K. Severud
R. I. Jetter	D. F. Shaw
C. Lawton	A. L. Snow

Subgroup on Fatigue Strength (SC-D)

W. J. O'Donnell, <i>Chair</i>	C. Lawton
P. R. Donavin	S. Majumdar
R. J. Gurdal	M. J. Manjoine
J. A. Hayward	J. Muscara
J. L. Hechmer	G. Taxacher
D. P. Jones	H. H. Ziada
G. Kharshafdjian	

Subgroup on Openings (SC-D)

M. R. Breach, <i>Chair</i>	J. P. Madden
R. W. Mikitka, <i>Secretary</i>	D. R. Palmer
G. G. Graven	M. D. Rana
V. T. Hwang	E. C. Rodabaugh
R. B. Luney	

Special Working Group on Bolted Flanged Joints (SC-D)

R. W. Mikitka, <i>Chair</i>	P. G. Scheckermann
G. D. Bibel	R. W. Schneider
E. Michalopoulos	R. D. Schueler, Jr.
S. N. Pagay	A. Selz

SUBCOMMITTEE ON SAFETY VALVE REQUIREMENTS (SC-SVR)

M. D. Bernstein, <i>Chair</i>	P. C. Hackford
S. F. Harrison, Jr., <i>Vice Chair</i>	F. Hart
U. D'Urso, <i>Secretary</i>	C. A. Neumann
J. F. Ball	J. W. Reynolds
S. Cammeresi	D. J. Scallan
J. A. Cox	A. J. Spencer
R. D. Danzy	J. C. Standfast
D. B. Demichael	J. A. West
R. J. Doelling	T. J. Ferrigan, <i>Alternate</i>
H. I. Gregg	

Subgroup on Design (SC-SVR)

R. D. Danzy, <i>Chair</i>	D. Miller
D. B. Demichael	A. J. Spencer
R. J. Doelling	T. R. Tarbay
H. I. Gregg	J. A. West

Subgroup on General Requirements (SC-SVR)

J. C. Standfast, <i>Chair</i>	C. A. Neumann
J. F. Ball	J. W. Reynolds
J. P. Glaspie	J. W. Richardson
P. C. Hackford	

Subgroup on Testing (SC-SVR)

S. F. Harrison, Jr., <i>Chair</i>	K. C. Roy
S. Cammeresi	D. J. Scallan
J. A. Cox	Z. Wang
F. Hart	

INTRODUCTION

The following is a brief introduction to the 2001 Edition of Section IX and cannot be considered as a substitute for the actual review of appropriate sections of the document. However, this introduction is intended to give the reader a better understanding of the purpose and organization of Section IX.

Section IX of the ASME Boiler and Pressure Vessel Code relates to the qualification of welders, welding operators, brazers, and brazing operators, and the procedures employed in welding or brazing in accordance with the ASME Boiler and Pressure Vessel Code and the ASME B31 Code for Pressure Piping. As such, this is an active document subject to constant review, interpretation, and improvement to recognize new developments and research data. Section IX is a document referenced for qualification by various construction codes such as Section I, III, IV, VIII, etc. These particular construction codes apply to specific types of fabrication and may impose additional welding requirements or exemptions to Section IX qualifications. Qualification in accordance with Section IX is not a guarantee that procedures and performance qualifications will be acceptable to a particular construction code.

Section IX establishes the basic criteria for welding and brazing which are observed in the preparation of welding and brazing requirements that affect procedure and performance. It is important that the user of the 2001 Edition of Section IX understand the basic criteria in reviewing the requirements which have been established.

The purpose of the Welding Procedure Specification (WPS) and Procedure Qualification Record (PQR) is to determine that the weldment proposed for construction is capable of having the required properties for its intended application. It is presupposed that the welder or welding operator performing the welding procedure qualification test is a skilled workman. This also applies to the Brazing Procedure Specifications (BPS) and the brazer and brazing operator qualifications. The procedure qualification test is to establish the properties of the weldment or brazement and not the skill of the personnel performing the welding or brazing. In addition, special consideration is given when notch toughness is required by other Sections of the Code. The notch-toughness

variables do not apply unless referenced by the construction codes.

In Welder or Brazer/Brazing Operator Performance Qualification, the basic criterion is to determine the ability to deposit sound weld metal, or to make a sound braze. In Welding Operator Performance Qualification, the basic criterion is to determine the mechanical ability of the welding operator to operate the equipment.

In developing the present Section IX, each welding process and brazing process that was included was reviewed with regard to those items (called variables) which have an affect upon the welding or brazing operations as applied to procedure or performance criteria.

The user of Section IX should be aware of how Section IX is organized. It is divided into two parts: welding and brazing. Each part is then divided into articles. These articles deal with the following:

- (a) general requirements (Article I Welding and Article XI Brazing)
- (b) procedure qualifications (Article II Welding and Article XII Brazing)
- (c) performance qualifications (Article III Welding and Article XIII Brazing)
- (d) data (Article IV Welding and Article XIV Brazing)
- (e) standard welding procedures (Article V Welding)

These articles contain general references and guides that apply to procedure and performance qualifications such as positions, type and purpose of various mechanical tests, acceptance criteria, and the applicability of Section IX, which was in the Preamble of the 1980 Section IX (the Preamble has been deleted). The general requirement articles reference the data articles for specifics of the testing equipment and removal of the mechanical test specimens.

PROCEDURE QUALIFICATIONS

Each process that has been evaluated by Section IX is listed separately with the essential and nonessential variables as they apply to that particular process. In general, the Welding Procedure Specifications (WPS) and the Brazing Procedure Specifications (BPS) are to list all essential and nonessential variables for each

process that is included under that particular procedure specification. If a change is made in any essential variable, requalification of the procedure is required. If a change is made in a nonessential variable, the procedure need only be revised or amended to address the nonessential variable change. When notch toughness is required by the construction code, the supplementary essential variables become additional essential variables and a change requires requalification of the procedure.

In addition to covering various processes, there are also rules for procedure qualification of corrosion-resistant weld metal overlay and hard-facing weld metal overlay.

Beginning with the 2000 Addenda, the use of Standard Welding Procedure Specifications (SWPSs) was permitted. Article V provides the requirements and limitations that govern the use of these documents. The SWPSs approved for use are listed in Appendix E.

PERFORMANCE QUALIFICATIONS

These articles list separately the various welding and brazing processes with the essential variables that apply to the performance qualifications of each process. The welder, brazer, and brazing operator qualifications are limited by essential variables.

The performance qualification articles have numerous paragraphs describing general applicable variables for all processes. QW-350 and QB-350 list additional essential variables which are applicable for specific processes. The QW-350 variables do not apply to welding operators. QW-360 lists the additional essential variables for welding operators.

Generally, a welder or welding operator may be qualified by mechanical bending tests, radiography of a test plate, or radiography of the initial production weld. Brazers or brazing operators may not be qualified by radiography.

WELDING AND BRAZING DATA

The welding and brazing data articles include the variables grouped into categories such as joints, base materials and filler materials, positions, preheat/postweld heat treatment, gas, electrical characteristics, and technique. They are referenced from other articles as they apply to each process.

These articles are frequently misused by selecting variables that do not apply to a particular process. Variables (QW-402 to QW-410 and QB-402 to QB-410) only apply as referenced for the applicable process

in Article II or Article III for welding and Article XII or Article XIII for brazing. The user of Section IX should not try to apply any variable which is not referenced for that process in QW-250, QW-350, QW-360, QB-250, or QB-350.

These articles also include assignments of P-Numbers and F-Numbers to particular base materials and filler materials. Article IV also includes A-Number tables for reference by the manufacturer.

Beginning with the 1994 Addenda, the welding P-Numbers, brazing P-Numbers, and nonmandatory S-Numbers were consolidated into one table identified as QW/QB-422. Both the QB-422 table (brazing P-Numbers) and Appendix C table (S-Numbers) were deleted. The new QW/QB-422 table was divided into ferrous and nonferrous sections. Metals were listed in numerical order by material specification number to aid users in locating the appropriate grouping number. An abbreviated listing of metals grouped by P-Numbers, Appendix D, has been included for users still wishing to locate groupings of metals by welding P-Number.

The QW-451 and QB-451 tables for procedure qualification thickness requirements and the QW-452 and QB-452 tables for performance thickness qualifications are given and may only be used as referenced by other paragraphs. Generally, the appropriate essential variables reference these tables.

Revisions to the 1980 Edition of Section IX introduced new definitions for position and added a fillet weld orientation sketch to complement the groove-weld orientation sketch. The new revision to position indicates that a welder qualifies in the 1G, 2G, 3G, etc., position and is then qualified to weld, in production, in the F, V, H, or O positions as appropriate. QW-461.9 is a revised table that summarizes these new qualifications.

The data articles also give sketches of coupon orientations, removal of test specimens, and test jig dimensions. These are referenced by Articles I and XI.

QW-470 describes etching processes and reagents.

At the end of Articles IV and XIV is a list of general definitions applicable to Section IX, welding and brazing, respectively. These may differ slightly from other welding documents.

Nonmandatory Forms for welding and brazing procedure and performance qualifications appear in Appendix B. These forms are provided for the aid of those who do not wish to design their own forms. Any form(s) that address all applicable requirements of Section IX may be used.

PROCEDURE QUALIFICATIONS

QW-256.1

QW-256.1
WELDING VARIABLES PROCEDURE SPECIFICATIONS (WPS)
Gas Tungsten-Arc Welding (GTAW)

Paragraph	Special Process Essential Variables			
		Hard-Facing Overlay (QW-216)		Corrosion-Resistant Overlay (QW-214)
QW-402 Joints	.16	< Finished <i>t</i>		< Finished <i>t</i>
QW-403 Base Metals	.20	ϕ P-Number		ϕ P-Number
	.23	ϕ <i>T</i> Qualified		ϕ <i>T</i> Qualified
QW-404 Filler Metals	.12	ϕ AWS Class.		
	.14	± Filler		± Filler
	.23	ϕ Filler metal product form		ϕ Filler metal product form
	.37			ϕ A-Number
QW-405 Positions	.4	+ Position		+ Position
QW-406 Preheat	.4	> Dec. > 100°F (56°C) preheat Interpass		> Dec. > 100°F (56°C) preheat Interpass
QW-407 PWHT	.6	ϕ PWHT		ϕ PWHT
QW-408 Gas	.15	ϕ Type or flow rate		ϕ Type or flow rate
QW-409 Electrical Characteristics	.4	ϕ Current or polarity		ϕ Current or polarity
	.26	> Heat input more than 10%		> Heat input more than 10%
QW-410 Technique	.38	ϕ Multi- to single-layer		ϕ Multi- to single-layer
	.50	ϕ No. of elec.		ϕ No. of elec.
	.51	± Oscillation		± Oscillation

Legend:

+ Addition
- Deletion

> Increase/greater than
< Decrease/less than

↑ Uphill
↓ Downhill

← Forehand
→ Backhand

ϕ Change

QW-257
WELDING VARIABLES PROCEDURE SPECIFICATIONS (WPS)
Plasma-Arc Welding (PAW)

Paragraph	Brief of Variables	Essential	Supplementary Essential	Nonessential
QW-402 Joints	.1 ϕ Groove design		X	
	.5 + Backing			X
	.10 ϕ Root spacing			X
	.11 \pm Retainers			X
QW-403 Base Metals	.5 ϕ Group Number		X	
	.6 T Limits		X	
	.8 ϕ T Qualified	X		
	.12 ϕ P-Number/melt-in	X		
	.13 ϕ P-No. 5/9/10	X		
QW-404 Filler Metals	.3 ϕ Size			X
	.4 ϕ F-Number	X		
	.5 ϕ A-Number	X		
	.12 ϕ AWS class.		X	
	.14 \pm Filler	X		
	.22 \pm Consum. insert			X
	.23 ϕ Filler metal product form	X		
	.27 ϕ Alloy elements	X		
	.30 ϕ t	X		
.33 ϕ AWS class.			X	
QW-405 Positions	.1 + Position			X
	ϕ .2 Position		X	
	.3 ϕ $\uparrow \downarrow$ Vertical welding			X
QW-406 Preheat	.1 Decrease > 100°F (56°C)	X		
	.3 Increase > 100°F (56°C) (IP)		X	
QW-407 PWHT	.1 ϕ PWHT	X		
	.2 ϕ PWHT (T & T range)		X	
	.4 T Limits	X		
QW-408 Gas	.1 \pm Trail or ϕ comp.			X
	.4 ϕ Composition	X		
	.5 \pm Or ϕ backing flow			X
	.9 - Backing or ϕ comp.	X		
	.10 ϕ Shielding or trailing	X		
.21 ϕ Flow rate				X

ARTICLE III

WELDING PERFORMANCE QUALIFICATIONS

QW-300 GENERAL

QW-300.1 This Article lists the welding processes separately, with the essential variables that apply to welder and welding operator performance qualifications.

The welder qualification is limited by the essential variables given for each welding process. These variables are listed in QW-350, and are defined in Article IV Welding Data. The welding operator qualification is limited by the essential variables given in QW-360 for each type of weld.

A welder or welding operator may be qualified by radiography of a test coupon, radiography of his initial production welding, or by bend tests taken from a test coupon except as stated in QW-304 and QW-305.

A02 QW-300.2

(a) The basic premises of responsibility in regard to welding are contained within QW-103 and QW-301.2. These paragraphs require that each manufacturer or contractor (an assembler or an installer is to be included within this premise) shall be responsible for conducting tests to qualify the performance of welders and welding operators in accordance with qualified Welding Procedure Specifications, which his organization employs in the construction of weldments built in accordance with the Code. The purpose of this requirement is to ensure that the manufacturer or contractor has determined that his welders and welding operators using his procedures are capable of developing the minimum requirements specified for an acceptable weldment. This responsibility cannot be delegated to another organization.

(b) The welders or welding operators used to produce such weldments shall be tested under the full supervision and control of the manufacturer, contractor, assembler, or installer during the production of these test weldments. It is not permissible for the manufacturer, contractor, assembler, or installer to have the welding performed by another organization. It is permissible, however, to subcontract any or all of the work of preparation of test materials for welding and subsequent work on the preparation of test specimens from the completed weldments, performance of nondestructive

examination and mechanical tests, provided the manufacturer, contractor, assembler, or installer accepts full responsibility for any such work.

(c) The Code recognizes a manufacturer, contractor, assembler, or installer as the organization which has responsible operational control of the production of the weldments to be made in accordance with this Code. If in an organization effective operational control of the welder performance qualification for two or more companies of different names exists, the companies involved shall describe in the Quality Control system, the operational control of performance qualifications. In this case requalification of welders and welding operators within the companies of such an organization will not be required, provided all other requirements of Section IX are met.

(d) The Code recognizes that manufacturers or contractors may maintain effective operational control of Welder/Welding Operator Performance Qualification (WPQ) records under different ownership than existed during the original welder or weld operator qualification. When a manufacturer or contractor or part of a manufacturer or contractor is acquired by a new owner(s), the WPQs may be used by the new owner(s) without requalification, provided all of the following are met:

(1) the new owner(s) takes responsibility for the WPQs;

(2) the WPQs reflect the name of the new owner(s);

(3) the Quality Control System/Quality Assurance Program reflects the source of the WPQs as being from the former manufacturer or contractor.

QW-300.3 More than one manufacturer, contractor, assembler, or installer may simultaneously qualify one or more welders or welding operators. When simultaneous qualifications are conducted, each participating organization shall be represented during welding of test coupons by an employee who is responsible for welder performance qualification.

The welding procedure specifications (WPS) that are followed during simultaneous qualifications shall be compared by the participating organizations. The WPSs

01

shall be identical for all the essential variables, except for the preheat temperature and PWHT requirements. The qualified thickness ranges for base metal and deposited weld metal need not be identical, but these thicknesses shall be adequate to permit welding of the test coupons. Alternatively, the participating organizations shall agree upon the use of a single WPS provided each participating organization has a PQR(s) to support

the WPS covering the range of variables to be followed in the performance qualification. When a single WPS is to be followed, each participating organization shall review and accept that WPS.

Each participating organization's representative shall positively identify each welder or welding operator who is being tested. Each organizational representative shall also verify marking of the test coupon with

the welder's or welding operator's identification, and marking of the top of the test coupon when the orientation must be known in order to remove test specimens.

Each organization's representative shall perform a visual examination of each completed test coupon and shall examine each test specimen to determine its acceptability. Alternatively, after visual examination, when the test coupon(s) are prepared and tested by an independent laboratory, that laboratory's report may be used as the basis for accepting the test results. When the test coupon(s) is radiographically examined (QW-302.2), the radiographic testing facility's report may be used as the basis for acceptance of the radiographic test.

Each organizational representative shall complete and sign a Welder/Welding Operator Performance Qualification (WPQ) Record for each welder or welding operator. Forms QW-484A/QW-484B (see Nonmandatory Appendix B) have been provided as a guide for the WPQ.

When a welder or welding operator changes employers between participating organizations, the employing organization shall verify that the welder's continuity of qualifications has been maintained as required by QW-322 by previous employers since his qualification date. If the welder or welding operator has had his qualification withdrawn for specific reasons, the employing organization shall notify all other participating organizations that the welder's or welding operator's qualification(s) has been revoked in accordance with QW-322.1(b). The remaining participating organizations shall determine that the welder or welding operator can perform satisfactory work in accordance with this Section.

When a welder's or welding operator's qualifications are renewed in accordance with the provisions of QW-322.2, each renewing organization shall be represented by an employee who is responsible for welder performance qualification. The testing procedures shall follow the rules of this paragraph.

QW-301 Tests

QW-301.1 Intent of Tests. The performance qualification tests are intended to determine the ability of welders and welding operators to make sound welds.

QW-301.2 Qualification Tests. Each manufacturer or contractor shall qualify each welder or welding operator for each welding process to be used in production welding. The performance qualification test shall be welded in accordance with qualified Welding Procedure Specifications (WPS), except that when performance qualification is done in accordance with a WPS that

requires a preheat or postweld heat treatment, these may be omitted. Changes beyond which requalification is required are given in QW-350 for welders and in QW-360 for welding operators. Allowable visual, mechanical, and radiographic examination requirements are described in QW-304 and QW-305. Retests and renewal of qualification are given in QW-320.

The welder or welding operator who prepares the WPS qualification test coupons meeting the requirements of QW-200 is also qualified within the limits of the performance qualifications, listed in QW-304 for welders and in QW-305 for welding operators. He is qualified only within the limits for positions specified in QW-303.

The performance test may be terminated at any stage of the testing procedure, whenever it becomes apparent to the supervisor conducting the tests that the welder or welding operator does not have the required skill to produce satisfactory results.

QW-301.3 Identification of Welders and Welding Operators. Each qualified welder and welding operator shall be assigned an identifying number, letter, or symbol by the manufacturer or contractor, which shall be used to identify the work of that welder or welding operator.

QW-301.4 Record of Tests. The record of Welder/Welding Operator Performance Qualification (WPQ) tests shall include the essential variables (QW-350 or QW-360), the type of test and test results, and the ranges qualified in accordance with QW-452 for each welder and welding operator. Suggested forms for these records are given in Forms QW-484A/QW-484B (see Nonmandatory Appendix B).

QW-302 Type of Test Required

QW-302.1 Mechanical Tests. Except as may be specified for special processes (QW-380), the type and number of test specimens required for mechanical testing shall be in accordance with QW-452. Groove weld test specimens shall be removed in a manner similar to that shown in QW-463.2(a) through QW-463.2(h). Fillet weld test specimens shall be removed in a manner similar to that shown in QW-462.4(a) through QW-462.4(d) and QW-463.2(h).

All mechanical tests shall meet the requirements prescribed in QW-160 or QW-180, as applicable.

QW-302.2 Radiographic Examination. When the welder or welding operator is qualified by radiographic examination, as permitted in QW-304 for welders and QW-305 for welding operators, the minimum length



of coupon(s) to be examined shall be 6 in. (152 mm) and shall include the entire weld circumference for pipe(s), except that for small diameter pipe, multiple coupons may be required, but the number need not exceed four consecutively made test coupons. The radiographic technique and acceptance criteria shall be in accordance with QW-191.

QW-302.3 Test Coupons in Pipe. For test coupons made on pipe in position 1G or 2G of QW-461.4, two specimens shall be removed as shown for bend specimens in QW-463.2(d) or QW-463.2(e), omitting the specimens in the upper-right and lower-left quadrants, and replacing the root-bend specimen in the upper-left quadrant of QW-463.2(d) with a face-bend specimen. For test coupons made on pipe in position 5G or 6G of QW-461.4, specimens shall be removed in accordance with QW-463.2(d) or QW-463.2(e) and all four specimens shall pass the test. For test coupons made in both positions 2G and 5G on a single pipe test coupon, specimens shall be removed in accordance with QW-463.2(f) or QW-463.2(g).

QW-302.4 Visual Examination. For plate coupons all surfaces (except areas designated "discard") shall be examined visually per QW-194 before cutting of bend specimens. Pipe coupons shall be visually examined per QW-194 over the entire circumference, inside and outside.

QW-303 Limits of Qualified Positions and Diameters (See QW-461)

QW-303.1 Groove Welds — General. Welders and welding operators who pass the required tests for groove welds in the test positions of QW-461.9 shall be qualified for the positions of groove welds and fillet welds shown in QW-461.9. In addition, welders and welding operators who pass the required tests for groove welds shall also be qualified to make fillet welds in all thicknesses and pipe diameters of any size within the limits of the welding variables of QW-350 or QW-360, as applicable.

QW-303.2 Fillet Welds — General. Welders and welding operators who pass the required tests for fillet welds in the test positions of QW-461.9 shall be qualified for the positions of fillet welds shown in QW-461.9. Welders and welding operators who pass the tests for fillet welds shall be qualified to make fillet welds only in the thicknesses of material, sizes of fillet welds, and diameters of pipe and tube $2\frac{7}{8}$ in. (73 mm) O.D. and over, as shown in QW-452.5, within the

applicable essential variables. Welders and welding operators who make fillet welds on pipe or tube less than $2\frac{7}{8}$ in. (73 mm) O.D. must pass the pipe fillet weld test per QW-452.4 or the required mechanical tests in QW-304 and QW-305 as applicable.

QW-303.3 Special Positions. A fabricator who does production welding in a special orientation may make the tests for performance qualification in this specific orientation. Such qualifications are valid only for the flat position and for the special positions actually tested, except that an angular deviation of ± 15 deg is permitted in the inclination of the weld axis and the rotation of the weld face, as defined in QW-461.1 and QW-461.2.

QW-303.4 Stud-Weld Positions. Qualification in the 4S position also qualifies for the 1S position. Qualification in the 4S and 2S positions qualifies for all positions.

QW-304 Welders

Except for the special requirements of QW-380, each welder who welds under the rules of the Code shall have passed the mechanical and visual examinations prescribed in QW-302.1 and QW-302.4 respectively. Alternatively, welders making a groove weld using SMAW, SAW, GTAW, PAW, and GMAW (except short-circuiting mode) or a combination of these processes, may be qualified by radiographic examination, except for P-No. 21 through P-No. 25, P-No. 51 through P-No. 53, and P-No. 61 through P-No. 62 metals. Welders making groove welds in P-No. 21 through P-No. 25 and P-No. 51 through P-No. 53 metals with the GTAW process may also be qualified by radiographic examination. The radiographic examination shall be in accordance with QW-302.2.

A welder qualified to weld in accordance with one qualified WPS is also qualified to weld in accordance with other qualified WPSs, using the same welding process, within the limits of the essential variables of QW-350.

QW-304.1 Examination. Welds made in test coupons for performance qualification may be examined by visual and mechanical examinations (QW-302.1, QW-302.4) or by radiography (QW-302.2) for the process(es) and mode of arc transfer specified in QW-304. Alternatively, a minimum 6 in. (152 mm) length of the first production weld(s) made by a welder using the process(es) and/or mode of arc transfer specified in QW-304 may be examined by radiography.

(a) For pipe(s) welded in the 5G, 6G, or special positions, the entire production weld circumference made by the welder shall be radiographed.

(b) For small diameter pipe where the required minimum length of weld cannot be obtained from a single production pipe circumference, additional consecutive circumferences made by the welder shall be radiographed, except that the total number of circumferences need not exceed four.

(c) The radiographic technique and acceptance criteria for production welds shall be in accordance with QW-191.1 and QW-191.2.2.

QW-304.2 Failure to Meet Radiographic Standards. If a production weld is selected for welder performance qualification and it does not meet the radiographic standards, the welder has failed the test. In this event, the entire production weld made by this welder shall be radiographed and repaired by a qualified welder or welding operator. Alternatively, retests may be made as permitted in QW-320.

QW-305 Welding Operators

Except for the special requirements of QW-380, each welding operator who welds under the rules of this Code shall have passed the mechanical and visual examinations prescribed in QW-302.1 and QW-302.4 respectively. Alternatively, welding operators making a groove weld using SMAW, SAW, GTAW, PAW, EGW, and GMAW (except short-circuiting mode) or a combination of these processes, may be qualified by radiographic examination, except for P-No. 21 through P-No. 25, P-No. 51 through P-No. 53, and P-No. 61 through P-No. 62 metals. Welding operators making groove welds in P-No. 21 through P-No. 25 and P-No. 51 through P-No. 53 metals with the GTAW process may also be qualified by radiographic examination. The radiographic examination shall be in accordance with QW-302.2.

A welding operator qualified to weld in accordance with one qualified WPS is also qualified to weld in accordance with other qualified WPSs within the limits of the essential variables of QW-360.

A02 QW-305.1 Examination. Welds made in test coupons may be examined by radiography (QW-302.2) or by visual and mechanical examinations (QW-302.1, QW-302.4). Alternatively, a minimum 3 ft (0.9 m) length of the first production weld(s) made entirely by the welding operator in accordance with a qualified WPS may be examined by radiography.

(a) For pipe(s) welded in the 5G, 6G, or special positions, the entire production weld circumference made by the welding operator shall be radiographed.

(b) For small diameter pipe where the required minimum length of weld cannot be obtained from a single production pipe circumference, additional consecutive circumferences made by the welding operator shall be radiographed except that the total number of circumferences need not exceed four.

(c) The radiographic technique and acceptance criteria for production welds shall be in accordance with QW-191.1 and QW-191.2.3.

QW-305.2 Failure to Meet Radiographic Standards. If a portion of a production weld is selected for welding operator performance qualification, and it does not meet the radiographic standards, the welding operator has failed the test. In this event, the entire production weld made by this welding operator shall be radiographed completely and repaired by a qualified welder or welding operator. Alternatively, retests may be made as permitted in QW-320.

QW-306 Combination of Welding Processes

Each welder or welding operator shall be qualified within the limits given in QW-301 for the specific welding process(es) he will be required to use in production welding. A welder or welding operator may be qualified by making tests with each individual welding process in separate test coupons, or with a combination of welding processes in a single test coupon. Two or more welders or welding operators, each using the same or a different welding process, may be qualified in combination in a single test coupon. For combination qualifications in a single test coupon, the limits for thicknesses of deposited weld metal, and bend and fillet testing are given in QW-452 and shall be considered individually for each welder or welding operator for each welding process or whenever there is a change in an essential variable. A welder or welding operator qualified in combination on a single test coupon is qualified to weld in production using any of his processes individually or in different combinations, provided he welds within his limits of qualification with each specific process.

Failure of any portion of a combination test in a single test coupon constitutes failure of the entire combination.

QW-310 QUALIFICATION TEST COUPONS

QW-310.1 Test Coupons. The test coupons may be plate, pipe, or other product forms. When all position qualifications for pipe are accomplished by welding

one pipe assembly in both the 2G and 5G positions (QW-461.4), 6 in. (DN 150), 8 in. (DN 200), 10 in. (DN 250), or larger diameter pipe shall be employed to make up the test coupon as shown in QW-463.2(f) for 10 in. (DN 250) or larger pipe and in QW-463.2(g) for 6 in. (DN 150) or 8 in. (DN 200) diameter pipe.

QW-310.2 Welding Groove With Backing. The dimensions of the welding groove on the test coupon used in making qualification tests for double-welded groove welds or single-welded groove welds with backing shall be the same as those for any Welding Procedure Specification (WPS) qualified by the manufacturer, or shall be as shown in QW-469.1.

A single-welded groove-weld test coupon with backing or a double-welded groove-weld test coupon shall be considered welding with backing. Partial penetration groove welds and fillet welds are considered welding with backing.

QW-310.3 Welding Groove Without Backing. The dimensions of the welding groove of the test coupon used in making qualification tests for single-welded groove welds without backing shall be the same as those for any WPS qualified by the manufacturer, or as shown in QW-469.2.

QW-320 RETESTS AND RENEWAL OF QUALIFICATION

QW-321 Retests

A welder or welding operator who fails one or more of the tests prescribed in QW-304 or QW-305, as applicable, may be retested under the following conditions.

QW-321.1 Immediate Retest Using Visual Examination. When the qualification coupon has failed the visual examination of QW-302.4, retesting shall be by visual examination before conducting the mechanical testing.

When an immediate retest is made, the welder or welding operator shall make two consecutive test coupons for each position which he has failed, all of which shall pass the visual examination requirements.

The examiner may select one of the successful test coupons from each set of retest coupons which pass the visual examination for conducting the mechanical testing.

QW-321.2 Immediate Retest Using Mechanical Testing. When the qualification coupon has failed the mechanical testing of QW-302.1, retesting shall be by mechanical testing.

When an immediate retest is made, the welder or welding operator shall make two consecutive test coupons for each position which he has failed, all of which shall pass the test requirements.

QW-321.3 Immediate Retest Using Radiography.

A02

When the qualification coupon has failed the radiographic examination of QW-302.2, the immediate retest shall be by the radiographic examination method.

(a) For welders and welding operators the retest shall be to radiographically examine two 6 in. (152 mm) plate coupons; for pipe, to examine two pipes for a total of 12 in. (305 mm) of weld, which shall include the entire weld circumference for pipe or pipes (for small diameter pipe the total number of consecutively made test coupons need not exceed eight).

(b) At the option of the manufacturer, the welder who has failed the production weld alternative test may be retested by radiographing an additional twice the required length or number of pipe circumferences of the same or consecutively made production weld(s) specified in QW-304.1. If this length of weld passes the test, the welder is qualified and the area of weld on which he had previously failed the test shall be repaired by him or another qualified welder. If this length does not meet the radiographic standards, the welder has failed the retest and all of the production welds made by this welder shall be radiographed completely and repaired by a qualified welder or welding operator.

(c) At the option of the manufacturer, the welding operator who has failed the production weld alternative test may be retested by radiographing an additional twice the required length or number of pipe circumferences of the same or consecutively made production weld(s) specified in QW-305.1. If this length of weld passes the test, the welding operator is qualified and the area of weld on which he had previously failed the test shall be repaired by him or another qualified welder or welding operator. If this length does not meet the radiographic standards, the welding operator has failed the retest and all of the production welds made by this welding operator shall be radiographed completely and repaired by a qualified welder or welding operator.

QW-321.4 Further Training. When the welder or the welding operator has had further training or practice, a new test shall be made for each position on which he failed to meet the requirements.

QW-322 Expiration and Renewal of Qualification

QW-322.1 Expiration of Qualification. The performance qualification of a welder or welding operator shall be affected when one of the following conditions occurs:

(a) When he has not welded with a process during a period of 6 months or more, his qualifications for that process shall expire; unless, within the six month period, prior to his expiration of qualification,

(1) a welder has welded using a manual or semiautomatic welding process which will maintain his quali-

fication for manual and semiautomatic welding with that process;

(2) a welding operator has welded with a machine or automatic welding process which will maintain his qualification for machine and automatic welding with that process.

(b) When there is a specific reason to question his ability to make welds that meet the specification, the qualifications which support the welding he is doing shall be revoked. All other qualifications not questioned remain in effect.

QW-322.2 Renewal of Qualification

(a) Renewal of qualification expired under QW-322.1(a) above may be made for any process by welding a single test coupon of either plate or pipe, of any material, thickness or diameter, in any position, and by testing of that coupon as required by QW-301 and QW-302. A successful test renews the welder or welding operator's previous qualifications for that process for those materials, thicknesses, diameters, positions, and other variables for which he was previously qualified.

Providing the conditions of QW-304 and QW-305 are satisfied, renewal of qualification under QW-322.1(a) may be done on production work.

(b) Welders and welding operators whose qualifications have been revoked under QW-322.1(b) above shall requalify. Qualification shall utilize a test coupon appropriate to the planned production work. The coupon shall be welded and tested as required by QW-301 and QW-302. Successful test restores the qualification.

QW-350 WELDING VARIABLES FOR WELDERS

QW-351 General

A welder shall be requalified whenever a change is made in one or more of the essential variables listed for each welding process.

Where a combination of welding processes is required to make a weldment, each welder shall be qualified for the particular welding process or processes he will be required to use in production welding. A welder may be qualified by making tests with each individual welding process, or with a combination of welding processes in a single test coupon.

The limits of weld metal thickness for which he will be qualified are dependent upon the approximate thickness of the weld metal he deposits with each welding process, exclusive of any weld reinforcement, this thickness shall be considered the test coupon thickness as given in QW-452.

In any given production weldment, welders may not deposit a thickness greater than that permitted by QW-452 for each welding process in which they are qualified.

**QW-352
OXYFUEL GAS WELDING (OFW)
Essential Variables**

Paragraph		Brief of Variables
QW-402 Joints	.7	+ Backing
QW-403 Base Metals	.2	Maximum qualified
	.18	ϕ P-Number
QW-404 Filler Metals	.14	± Filler
	.15	ϕ F-Number
	.31	ϕ t Weld deposit
QW-405 Positions	.1	+ Position
QW-408 Gas	.7	ϕ Type fuel gas

**QW-353
SHIELDED METAL-ARC WELDING (SMAW)
Essential Variables**

Paragraph		Brief of Variables
QW-402 Joints	.4	- Backing
QW-403 Base Metals	.16	ϕ Pipe diameter
	.18	ϕ P-Number
QW-404 Filler Metals	.15	ϕ F-Number
	.30	ϕ t Weld deposit
QW-405 Positions	.1	+ Position
	.3	ϕ ↑ ↓ Vertical welding

**QW-354
SEMIAUTOMATIC SUBMERGED-ARC WELDING (SAW)
Essential Variables**

Paragraph		Brief of Variables
QW-403 Base Metals	.16	ϕ Pipe diameter
	.18	ϕ P-Number
QW-404 Filler Metals	.15	ϕ F-Number
	.30	ϕ t Weld deposit
QW-405 Positions	.1	+ Position



QW-355
SEMI-AUTOMATIC GAS METAL-ARC
WELDING (GMAW)
 [This Includes Flux-Corded Arc Welding (FCAW)]
Essential Variables

Paragraph		Brief of Variables
QW-402 Joints	.4	- Backing
QW-403 Base Metals	.16	ϕ Pipe diameter
	.18	ϕ P-Number
QW-404 Filler Metals	.15	ϕ F-Number
	.30	ϕ t Weld deposit
	.32	t Limit (S. Cir. Arc.)
QW-405 Positions	.1	+ Position
	.3	ϕ $\uparrow\downarrow$ Vertical welding
QW-408 Gas	.8	- Inert backing
QW-409 Electrical	.2	ϕ Transfer mode

QW-357
MANUAL AND SEMIAUTOMATIC
PLASMA-ARC WELDING (PAW)
Essential Variables

Paragraph		Brief of Variables
QW-402 Joints	.4	- Backing
QW-403 Base Metals	.16	ϕ Pipe diameter
	.18	ϕ P-Number
QW-404 Filler Metals	.14	\pm Filler
	.15	ϕ F-Number
	.22	\pm Inserts
	.23	ϕ Solid or metal-cored to flux-cored
QW-405 Positions	.30	ϕ t Weld deposit
	.1	+ Position
QW-405 Positions	.3	ϕ $\uparrow\downarrow$ Vertical welding
	.8	- Inert backing

Legend for QW-352 through QW-357:

- ϕ Change
- + Addition
- Deletion
- \uparrow Uphill
- \downarrow Downhill

QW-356
MANUAL AND SEMIAUTOMATIC GAS
TUNGSTEN-ARC WELDING (GTAW)
Essential Variables

Paragraph		Brief of Variables
QW-402 Joints	.4	- Backing
QW-403 Base Metals	.16	ϕ Pipe diameter
	.18	ϕ P-Number
QW-404 Filler Metals	.14	\pm Filler
	.15	ϕ F-Number
	.22	\pm Inserts
	.23	ϕ Solid or metal-cored to flux-cored
	.30	ϕ t Weld deposit
QW-405 Positions	.1	+ Position
	.3	ϕ $\uparrow\downarrow$ Vertical welding
QW-408 Gas	.8	- Inert backing
QW-409 Electrical	.4	ϕ Current or polarity

QW-360 WELDING VARIABLES FOR WELDING OPERATORS

QW-361 General

A welding operator shall be requalified whenever a change is made in one of the following essential variables. There may be exceptions or additional requirements for the processes of QW-362, QW-363, and the special processes of QW-380.

QW-361.1 Essential Variables — Automatic Welding

- (a) A change from automatic to machine welding.
- (b) A change in the welding process.
- (c) For electron beam and laser welding, the addition or deletion of filler metal.
- (d) For laser welding, a change in laser type (e.g., a change from CO₂ to YAG).
- (e) For friction welding, a change from continuous drive to inertia welding or vice versa.
- (f) For electron beam welding, a change from vacuum to out-of-vacuum equipment, and vice versa.

QW-361.2 Essential Variables — Machine Welding

- (a) A change in the welding process.
- (b) A change from direct visual control to remote visual control and vice-versa.
- (c) The deletion of an automatic arc voltage control system for GTAW.
- (d) The deletion of automatic joint tracking.
- (e) The addition of welding positions other than those already qualified (see QW-120, QW-130, and QW-303).
- (f) The deletion of consumable inserts, except that qualification with consumable inserts shall also qualify for fillet welds and welds with backing.
- (g) The deletion of backing. Double-welded groove welds are considered welding with backing.
- (h) A change from single pass per side to multiple passes per side but not the reverse.

QW-362 Electron Beam Welding (EBW), Laser Beam Welding (LBW), and Friction Welding (FRW)

The performance qualification test coupon shall be production parts or test coupons that have joint designs permitted by any qualified WPS. The coupon shall be mechanically tested in accordance with QW-452. Alternatively, when the part or coupon does not readily lend itself to the preparation of bend test specimens, the part may be cut so that at least two full-thickness weld cross sections are exposed. Those cross sections shall be smoothed and etched with a suitable etchant (see QW-470) to give a clear definition of the weld metal and heat affected zone. The weld metal and heat affected zone shall exhibit complete fusion and freedom from cracks. The essential variables for welding operator qualification shall be in accordance with QW-361.

QW-363 Stud Welding

Stud welding operators shall be performance qualified in accordance with the test requirements of QW-193 and the position requirements of QW-303.4.

QW-380 SPECIAL PROCESSES**01 QW-381 Corrosion-Resistant Weld Metal Overlay**

(a) The size of test coupons, limits of base metal thickness qualification, required examinations and tests, and test specimens shall be as specified in QW-453.

(b) Welders or welding operators who pass the tests for corrosion-resistant weld metal overlay cladding shall only be qualified to apply corrosion-resistant weld metal overlay portion of a groove weld joining composite clad or lined materials.

(c) The essential variables of QW-350 and QW-360 shall apply for welders and welding operators, respectively, except there is no limit on the maximum thickness of corrosion-resistant overlay that may be applied in production. When specified as essential variables, the limitations of position and diameter qualified for groove welds shall apply to overlay welds except the limitations on diameter qualified shall apply only to welds deposited in the circumferential direction.

(d) A welder or welding operator who has qualified on composite welds in clad or lined material, as provided in QW-383.1(b) is also qualified to deposit corrosion-resistant weld metal overlay.

QW-382 Hard-Facing Weld Metal Overlay (Wear Resistant)

01

(a) The size of the test coupons, limits of base metal thickness qualification, required examinations and tests, and test specimens shall be as specified in QW-453. Base material test coupons may be as permitted in QW-423.

(b) Welders and welding operators who pass the tests for hard-facing weld metal overlay are qualified for hard-facing overlay only.

(c) The essential variable, of QW-350 and QW-360, shall apply for welders and welding operators, respectively, except there is no limit on the maximum thickness of hard-facing overlay that may be applied in production. When specified as essential variables, the limitations of position and diameter qualified for groove welds shall apply to overlay welds except the limitations on diameter qualified shall apply only to welds deposited in the circumferential direction.

(d) Qualification with one AWS classification within an SFA specification qualifies for all other AWS classifications in that SFA specification.

(e) A change in welding process shall require welder and welding operator requalification.

QW-383 Joining of Clad Materials and Applied Linings**QW-383.1 Clad Materials**

(a) Welders and welding operators who will join the base material portion of clad materials shall be qualified for groove welding in accordance with QW-301. Weld-

QW-407.7 A change in the heat treatment temperature range qualified if heat treatment is applied after fusing.

QW-408 Gas

QW-408.1 The addition or deletion of trailing shielding gas and/or a change in its composition.

01 QW-408.2 A separate procedure qualification is required for each of the following conditions:

(a) a change from a single shielding gas to any other single shielding gas;

(b) a change from a single shielding gas to a mixture of shielding gasses, and vice versa;

(c) a change in the specified percentage composition of a shielding gas mixture;

(d) the addition or omission of shielding gas.

The AWS classification of SFA 5.32 may be used to specify the shielding gas composition.

QW-408.3 A change in the specified flow rate range of the shielding gas or mixture of gases.

A02 QW-408.4 A change in the composition of the orifice or shielding gas.

QW-408.5 The addition or deletion of gas backing, a change in backing gas composition, or a change in the specified flow rate range of the backing gas.

QW-408.6 Any change of environment shielding such as from vacuum to an inert gas, or vice versa.

QW-408.7 A change in the type of fuel gas.

QW-408.8 The omission of inert gas backing except that requalification is not required when welding a single-welded butt joint with a backing strip or a double-welded butt joint or a fillet weld. This exception does not apply to P-No. 51 through P-No. 53, P-No. 61 through P-No. 62, and P-No. 10I metals.

01 QW-408.9 For groove welds in P-No. 41 through P-No. 47 and all welds of P-No. 10I, P-No. 10J, P-No. 10K, P-No. 51 through P-No. 53, and P-No. 61 through P-No. 62 metals, the deletion of backing gas or a change in the nominal composition of the backing gas from an inert gas to a mixture including non-inert gas(es).

01 QW-408.10 For P-No. 10I, P-No. 10J, P-No. 10K, P-No. 51 through P-No. 53, and P-No. 61 through P-No. 62 metals, the deletion of trailing shielding gas, or a change in the nominal composition of the trailing shielding gas from an inert gas to a mixture including non-inert gas(es), or a decrease of 10% or more in the trailing gas flow rate.

QW-408.11 The addition or deletion of one or more of the following: shielding gas, trailing shielding gas, backing gas, or plasma-removing gas.

QW-408.12 A change of more than 5% in the flow rate of one or more of the following: shielding gas, trailer shielding gas, backing gas, and plasma-removing gas.

QW-408.13 A change in the position or orientation of plasma-removing gas jet relative to the workpiece (e.g., coaxial transverse to beam).

QW-408.14 A change in the oxygen or fuel gas pressure beyond the range qualified.

QW-408.15 In gas metal-arc welding and gas tungsten-arc welding: a change from a single gas to any other single gas or to a mixture of gases, or vice versa; a change in specified percentage composition of gas mixture or omission of shielding gas; a decrease of 10% or more in the rate of flow of shielding gas or mixture.

QW-408.16 A change of more than 5% in the flow rate of the plasma-arc gas or powdered metal feed gas recorded on the PQR.

QW-408.17 A change in the plasma-arc gas, shielding gas, or powdered metal feed gas from a single gas to any other single gas, or to a mixture of gases, or vice versa.

QW-408.18 A change of more than 10% in the gas mixture composition of the plasma-arc gas, shielding gas, or powdered metal feed gas recorded on the PQR.

QW-408.19 A change in the nominal composition of the powder feed gas or (plasma-arc spray) plasma gas qualified.

QW-408.20 A change of more than 5% in the plasma gas flow rate range qualified.

QW-408.21 A change in the flow rate of the orifice or shielding gas. **A02**

QW-409 Electrical Characteristics

QW-409.1 An increase in heat input, or an increase in volume of weld metal deposited per unit length of weld, over that qualified. The increase may be measured by either of the following:

(a) Heat input [J/in. (J/mm)]

$$= \frac{\text{Voltage} \times \text{Amperage} \times 60}{\text{Travel Speed [in./min (mm/min)]}}$$

(b) Volume of Weld Metal = an increase in bead size or a decrease in length of weld bead per unit length of electrode.

The requirement for measuring the heat input or volume of deposited weld metal does not apply when the WPS is qualified with a PWHT above the upper transformation temperature or a solution anneal after welding austenitic materials.

QW-409.2 A change from spray arc, globular arc, or pulsating arc to short circuiting arc, or vice versa.

QW-409.3 The addition or deletion of pulsing current to dc power source.

QW-409.4 A change from ac to dc, or vice versa; and in dc welding, a change from electrode negative (straight polarity) to electrode positive (reverse polarity), or vice versa.

QW-409.5 A change of $\pm 15\%$ from the amperage or voltage ranges in the qualified WPS.

QW-409.6 A change in the beam current of more than $\pm 5\%$, voltage of more than $\pm 2\%$, welding speed of more than $\pm 2\%$, beam focus current of more than $\pm 5\%$, gun-to-work distance of more than $\pm 5\%$, or a change in oscillation length or width of more than $\pm 20\%$ from those previously qualified.

QW-409.7 Any change in the beam pulsing frequency duration from that qualified.

QW-409.8 A change in the range of amperage, or except for SMAW and GTAW welding, a change in the range of voltage. A change in the range of electrode wire feed speed may be used as an alternative to amperage.

QW-409.9 A change in the arc timing of more than $\pm \frac{1}{10}$ sec.

QW-409.10 A change in amperage of more than $\pm 10\%$.

QW-409.11 A change in the power source from one model to another.

QW-409.12 A change in type or size of tungsten electrode.

QW-409.13 A change in the shape or dimensions of the welding electrode; a change from one RWMA (Resistance Welding Manufacturer's Association) class electrode material to another.

QW-409.14 Addition or deletion of upslope or down-slope current control, or a change of more than 10% in the slope current time or amplitude.

QW-409.15 A change of more than 5% in the electrode pressure, the welding current, or the welding time cycle from that qualified, except that requalification is not required if there is a change of not more than 10% in either the electrode pressure or the welding current or the welding time cycle, provided the remaining two variables remain at the values qualified. A change from ac to dc or vice versa. The addition or deletion of pulsing current to a dc power source. When using pulsing dc current, a change of more than 5% in the pulse amplitude, width, or number of pulses per cycle from that qualified.

QW-409.16 A change from synchronous to asynchronous timing.

QW-409.17 A change in the power supply primary voltage or frequency, or in the transformer turns ratio, tap setting, choke position, secondary open circuit voltage or phase control setting.

QW-409.18 A change in the procedure or frequency of tip cleaning.

QW-409.19 Any change in the beam pulsing frequency and pulse duration from that qualified.

QW-409.20 Any change in the following variables: mode of operation (from pulsed to continuous and vice versa), energy distribution across the beam (i.e., multimode or gaussian).

QW-409.21 Any change in the following variables: a change of more than 5% in the power delivered to the work surface as measured by calorimeter or other equivalent methods; a change of more than 2% in the travel speed; a change of more than 2% of the ratio of the beam diameter to focal length; a change of more than 2% of the lens to work distance.

QW-409.22 An increase of more than 10% in the amperage used in application for the first layer.

QW-409.23 A change of more than 10% in the ranges of amperage or voltage qualified.

QW-409.24 A change of more than 10% in the filler wire wattage recorded on the PQR. Wattage is a function of current voltage, and stickout dimension.

QW-409.25 A change of more than 10% in the plasma-arc current or voltage recorded on the PQR.

QW-409.26 For the first layer only, an increase in heat input of more than 10% or an increase in volume

QW/QB-422 FERROUS P-NUMBERS AND S-NUMBERS
Grouping of Base Metals for Qualification

GENERAL NOTE: To convert from ksi to MPa, multiply tensile strength in table by 6.9.

Spec. No.	Type or Grade	UNS No.	Minimum Specified Tensile, ksi	Welding				Brazing		Nominal Composition	Product Form
				P-Group No.	S-Group No.	S-Group No.	Group No.	P-No.	S-No.		
SA-182	FXM-27Cb	S44627	60	10I	1	102	...	27Cr-1Mo	Forgings
A 182	F6a, Cl. 3	S41000	110	6	3	...	102	13Cr	Forgings
A 182	F6a, Cl. 4	S41000	130	6	3	...	102	13Cr	Forgings
A 182	S34565	S34565	115	8	4	24Cr-17Ni-6Mn-4.5Mo-N	Forgings
SA-192	...	K01201	47	1	1	101	...	C-Si	Smis. tube
SA-199	T11	K11597	60	4	1	102	...	1.25Cr-0.5Mo-Si	Smis. tube
SA-199	T22	K21590	60	5A	1	102	...	2.25Cr-1Mo	Smis. tube
SA-199	T4	K31509	60	5A	1	102	...	2.25Cr-0.5Mo-0.75Si	Smis. tube
SA-199	T21	K31545	60	5A	1	102	...	3Cr-1Mo	Smis. tube
SA-199	T5	K41545	60	5B	1	102	...	5Cr-0.5Mo	Smis. tube
SA-199	T9	K90941	60	5B	1	102	...	9Cr-1Mo	Smis. tube
SA-199	T91	K90901	85	5B	2	102	...	9Cr-1Mo-V	Smis. tube
SA-202	A	K11742	75	4	1	101	...	0.5Cr-1.25Mn-Si	Plate
SA-202	B	K12542	85	4	1	101	...	0.5Cr-1.25Mn-Si	Plate
SA-203	A	K21703	65	9A	1	101	...	2.5Ni	Plate
SA-203	B	K22103	70	9A	1	101	...	2.5Ni	Plate
SA-203	D	K31718	65	9B	1	101	...	3.5Ni	Plate
SA-203	E	K32018	70	9B	1	101	...	3.5Ni	Plate
SA-203	F	K32018	75	9B	1	101	...	3.5Ni	Plate > 2 in. (51 mm)
SA-203	F	K32018	80	9B	1	101	...	3.5Ni	Plate, 2 in. (51 mm) & under
SA-204	A	K11820	65	3	1	101	...	C-0.5Mo	Plate
SA-204	B	K12020	70	3	2	101	...	C-0.5Mo	Plate
SA-204	C	K12320	75	3	2	101	...	C-0.5Mo	Plate
SA-209	T1b	K11422	53	3	1	101	...	C-0.5Mo	Smis. tube
SA-209	T1	K11522	55	3	1	101	...	C-0.5Mo	Smis. tube
SA-209	T1a	K12023	60	3	1	101	...	C-0.5Mo	Smis. tube
SA-210	A-1	K02707	60	1	1	101	...	C-Si	Smis. tube
SA-210	C	K03501	70	1	2	101	...	C-Mn-Si	Smis. tube

WELDING DATA

QW/QB-422

QW/QB-422 FERROUS P-NUMBERS AND S-NUMBERS
Grouping of Base Metals for Qualification

GENERAL NOTE: To convert from ksi to MPa, multiply tensile strength in table by 6.9.

Spec. No.	Type or Grade	UNS No.	Minimum Tensile, ksi	Welding				Brazing		Nominal Composition	Product Form
				P-Group No.	S-Group No.	Group No.	P-No.	S-No.			
									No.		
A 211	A570-30	K02502	49	1	101	C	Welded pipe
A 211	A570-33	K02502	52	1	101	C	Welded pipe
A 211	A570-40	K02502	55	1	101	C	Welded pipe
SA-213	T2	K11547	60	3	1	101	...	0.5Cr-0.5Mo	Smls. tube
SA-213	T12	K11562	60	4	1	102	...	1Cr-0.5Mo	Smls. tube
SA-213	T11	K11597	60	4	1	102	...	1.25Cr-0.5Mo-Si	Smls. tube
SA-213	T17	K12047	60	10B	1	102	...	1Cr-V	Smls. tube
SA-213	T22	K21590	60	5A	1	102	...	2.25Cr-1Mo	Smls. tube
SA-213	T21	K31545	60	5A	1	102	...	3Cr-1Mo	Smls. tube
SA-213	T5c	K41245	60	5B	1	102	...	5Cr-0.5Mo-Ti	Smls. tube
SA-213	T5	K41545	60	5B	1	102	...	5Cr-0.5Mo	Smls. tube
SA-213	T5b	K51545	60	5B	1	102	...	5Cr-0.5Mo-Si	Smls. tube
SA-213	T9	K90941	60	5B	1	102	...	9Cr-1Mo	Smls. tube
SA-213	T91	K90901	85	5B	2	102	...	9Cr-1Mo-V	Smls. tube
SA-213	TP201	S20100	95	8	3	102	...	17Cr-4Ni-6Mn	Smls. tube
SA-213	TP202	S20200	90	8	3	102	...	18Cr-5Ni-9Mn	Smls. tube
SA-213	XM-19	S20910	100	8	3	102	...	22Cr-13Ni-5Mn	Smls. tube
SA-213	TP304	S30400	75	8	1	102	...	18Cr-8Ni	Smls. tube
SA-213	TP304L	S30403	70	8	1	102	...	18Cr-8Ni	Smls. tube
SA-213	TP304H	S30409	75	8	1	102	...	18Cr-8Ni	Smls. tube
SA-213	TP304N	S30451	80	8	1	102	...	18Cr-8Ni-N	Smls. tube
SA-213	TP304LN	S30453	75	8	1	102	...	18Cr-8Ni-N	Smls. tube
SA-213	S30815	S30815	87	8	2	102	...	21Cr-11Ni-N	Smls. tube
SA-213	TP309S	S30908	75	8	2	102	...	23Cr-12Ni	Smls. tube
SA-213	TP309H	S30909	75	8	2	102	...	23Cr-12Ni	Smls. tube
SA-213	TP309Cb	S30940	75	8	2	102	...	23Cr-12Ni-Cb	Smls. tube
SA-213	TP309HCb	S30941	75	8	2	102	...	23Cr-12Ni-Cb	Smls. tube
SA-213	TP310S	S31008	75	8	2	102	...	25Cr-20Ni	Smls. tube
SA-213	TP310H	S31009	75	8	2	102	...	25Cr-20Ni	Smls. tube
SA-213	TP310Cb	S31040	75	8	2	102	...	25Cr-20Ni-Cb	Smls. tube
SA-213	TP310HCb	S31041	75	8	2	102	...	25Cr-20Ni-Cb	Smls. tube

QW/QB-422 FERROUS P-NUMBERS AND S-NUMBERS

Grouping of Base Metals for Qualification

GENERAL NOTE: To convert from ksi to MPa, multiply tensile strength in table by 6.9.

Spec. No.	Type or Grade	UNS No.	Minimum Specified Tensile, ksi	Welding				Brazing		Nominal Composition	Product Form
				P- No.	Group No.	S- No.	Group No.	P- No.	S- No.		
SA-240	Type 305	S30500	70	8	1	102	...	18Cr-11Ni	Plate, sheet, & strip
SA-240	S30600	S30600	78	8	1	102	...	18Cr-15Ni-4Si	Plate, sheet, & strip
SA-240	S30815	S30815	87	8	2	102	...	21Cr-11Ni-N	Plate, sheet, & strip
SA-240	Type 309S	S30908	75	8	2	102	...	23Cr-12Ni	Plate, sheet, & strip
SA-240	Type 309H	S30909	75	8	2	102	...	23Cr-12Ni	Plate, sheet, & strip
SA-240	Type 309Cb	S30940	75	8	2	102	...	23Cr-12Ni-Cb	Plate, sheet, & strip
SA-240	Type 309Hcb	S30941	75	8	2	102	...	23Cr-12Ni-Cb	Plate, sheet, & strip
SA-240	Type 310S	S31008	75	8	2	102	...	25Cr-20Ni	Plate, sheet, & strip
SA-240	Type 310H	S31009	75	8	2	102	...	25Cr-20Ni	Plate, sheet, & strip
SA-240	Type 310Cb	S31040	75	8	2	102	...	25Cr-20Ni-Cb	Plate, sheet, & strip
SA-240	Type 310Hcb	S31041	75	8	2	102	...	25Cr-20Ni-Cb	Plate, sheet, & strip
SA-240	Type 310MoLN	S31050	80	8	2	102	...	25Cr-22Ni-2Mo-N	Plate, sheet, & strip
SA-240	S31200	S31200	100	10H	1	102	...	25Cr-6Ni-Mo-N	Plate, sheet, & strip
SA-240	S31254	S31254	94	8	4	102	...	20Cr-18Ni-6Mo	Plate, sheet, & strip
SA-240	S31260	S31260	100	10H	1	102	...	25Cr-6.5Ni-3Mo-N	Plate, sheet, & strip
SA-240	Type 316	S31600	75	8	1	102	...	16Cr-12Ni-2Mo	Plate, sheet, & strip
SA-240	Type 316L	S31603	70	8	1	102	...	16Cr-12Ni-2Mo	Plate, sheet, & strip
SA-240	Type 316H	S31609	75	8	1	102	...	16Cr-12Ni-2Mo	Plate, sheet, & strip
SA-240	Type 316Ti	S31635	75	8	1	102	...	16Cr-12Ni-2Mo-Ti	Plate, sheet, & strip
SA-240	Type 316Cb	S31640	75	8	1	102	...	16Cr-12Ni-2Mo-Cb	Plate, sheet, & strip
SA-240	Type 316N	S31651	80	8	1	102	...	16Cr-12Ni-2Mo-N	Plate, sheet, & strip
SA-240	Type 316LN	S31653	75	8	1	102	...	16Cr-12Ni-2Mo-N	Plate, sheet, & strip
SA-240	Type 317	S31700	75	8	1	102	...	18Cr-13Ni-3Mo	Plate, sheet, & strip
SA-240	Type 317L	S31703	75	8	1	102	...	18Cr-13Ni-3Mo	Plate, sheet, & strip
SA-240	S31725	S31725	75	8	4	102	...	19Cr-15Ni-4Mo	Plate, sheet, & strip
SA-240	S31726	S31726	80	8	4	102	...	19Cr-15.5Ni-4Mo	Plate, sheet, & strip
SA-240	S31753	S31753	80	8	1	102	...	18Cr-13Ni-3Mo-N	Plate, sheet, & strip
SA-240	S31803	S31803	90	10H	1	22Cr-5Ni-3Mo-N	Plate, sheet, & strip
SA-240	Type 321	S32100	75	8	1	102	...	18Cr-10Ni-Ti	Plate, sheet, & strip
SA-240	Type 321H	S32109	75	8	1	102	...	18Cr-10Ni-Ti	Plate, sheet, & strip
SA-240	S32550	S32550	110	10H	1	102	...	25Cr-5Ni-3Mo-2Cu	Plate, sheet, & strip
SA-240	S32760	S32760	108	10H	1	...	102	25Cr-8Ni-3Mo-W-Cu-N	Plate, sheet, & strip

WELDING DATA

QW/QB-422

QW/QB-422 FERROUS P-NUMBERS AND S-NUMBERS
Grouping of Base Metals for Qualification

GENERAL NOTE: To convert from ksi to MPa, multiply tensile strength in table by 6.9.

Spec. No.	Type or Grade	UNS No.	Minimum Specified Tensile, ksi	Welding				Brazing		Nominal Composition	Product Form
				P-Group No.	S-Group No.	P-No.	S-No.	P-No.	S-No.		
SA-240	Type 329	S32900	90	10H 1	102	...	26Cr-4Ni-Mo	Plate, sheet, & strip
SA-240	S32950	S32950	100	10H 1	102	...	26Cr-4Ni-Mo-N	Plate, sheet, & strip
SA-240	Type 347	S34700	75	8 1	102	...	18Cr-10Ni-Cb	Plate, sheet, & strip
SA-240	Type 347H	S34709	75	8 1	102	...	18Cr-10Ni-Cb	Plate, sheet, & strip
SA-240	Type 348	S34800	75	8 1	102	...	18Cr-10Ni-Cb	Plate, sheet, & strip
SA-240	Type 348H	S34809	75	8 1	102	...	18Cr-10Ni-Cb	Plate, sheet, & strip
SA-240	Type XM-15	S38100	75	8 1	102	...	18Cr-18Ni-2Si	Plate, sheet, & strip
SA-240	Type 405	S40500	60	7 1	102	...	12Cr-1Al	Plate, sheet, & strip
SA-240	Type 409	S40900	55	7 1	102	...	11Cr-Ti	Plate, sheet, & strip
SA-240	...	S40910	55	7 1	102	...	11Cr-Ti	Plate, sheet, & strip
SA-240	...	S40920	55	7 1	102	...	11Cr-Ti	Plate, sheet, & strip
SA-240	...	S40930	55	7 1	102	...	11Cr-Ti	Plate, sheet, & strip
SA-240	Type 410	S41000	65	6 1	102	...	13Cr	Plate, sheet, & strip
SA-240	Type 410S	S41008	60	7 1	102	...	13Cr	Plate, sheet, & strip
SA-240	S41500	S41500	115	6 4	102	...	13Cr-4.5Ni-Mo	Plate, sheet, & strip
SA-240	Type 429	S42900	65	6 2	102	...	15Cr	Plate, sheet, & strip
SA-240	Type 430	S43000	65	7 2	102	...	17Cr	Plate, sheet, & strip
SA-240	Type 439	S43035	60	7 2	102	...	18Cr-Ti	Plate, sheet, & strip
SA-240	S44400	S44400	60	7 2	102	...	18Cr-2Mo	Plate, sheet, & strip
SA-240	Type XM-33	S44626	68	10I 1	102	...	27Cr-1Mo-Ti	Plate, sheet, & strip
SA-240	Type XM-27	S44627	65	10I 1	102	...	27Cr-1Mo	Plate, sheet, & strip
SA-240	S44635	S44635	90	10I 1	102	...	25Cr-4Ni-4Mo-Ti	Plate, sheet, & strip
SA-240	S44660	S44660	85	10K 1	102	...	26Cr-3Ni-3Mo	Plate, sheet, & strip
SA-240	S44700	S44700	80	10J 1	102	...	29Cr-4Mo	Plate, sheet, & strip
SA-240	S44800	S44800	80	10K 1	102	...	29Cr-4Mo-2Ni	Plate, sheet, & strip
A 240	S34565	S34565	115	...	8	4	24Cr-17Ni-6Mn-4.5Mo-N	Plate, sheet, & strip
SA-249	TP201	S20100	95	8 3	102	...	17Cr-4Ni-6Mn	Welded tube
SA-249	TP202	S20200	90	8 3	102	...	18Cr-5Ni-9Mn	Welded tube
SA-249	TPXM-19	S20910	100	8 3	102	...	22Cr-13Ni-5Mn	Welded tube
SA-249	TPXM-29	S24000	100	8 3	102	...	18Cr-3Ni-12Mn	Welded tube
SA-249	TP304	S30400	75	8 1	102	...	18Cr-8Ni	Welded tube
SA-249	TP304L	S30403	70	8 1	102	...	18Cr-8Ni	Welded tube
SA-249	TP304H	S30409	75	8 1	102	...	18Cr-8Ni	Welded tube
SA-249	TP304N	S30451	80	8 1	102	...	18Cr-8Ni-N	Welded tube

QW/QB-422 FERROUS P-NUMBERS AND S-NUMBERS
Grouping of Base Metals for Qualification

GENERAL NOTE: To convert from ksi to MPa, multiply tensile strength in table by 6.9.

Spec. No.	Type or Grade	UNS No.	Minimum Specified Tensile, ksi	Welding		Brazing		Nominal Composition	Product Form
				P-Group No.	S-Group No.	P-Group No.	S-Group No.		
SA-312	TP321H	S32109	75	8	1	...	102	...	18Cr-10Ni-Ti Smis. pipe $\leq \frac{3}{8}$ in. (10 mm)
SA-312	TP321H	S32109	75	8	1	...	102	...	18Cr-10Ni-Ti Welded pipe
SA-312	TP347	S34700	75	8	1	...	102	...	18Cr-10Ni-Cb Smis. & welded pipe
SA-312	TP347H	S34709	75	8	1	...	102	...	18Cr-10Ni-Cb Smis. & welded pipe
SA-312	TP348	S34800	75	8	1	...	102	...	18Cr-10Ni-Cb Smis. & welded pipe
SA-312	TP348H	S34809	75	8	1	...	102	...	18Cr-10Ni-Cb Smis. & welded pipe
SA-312	TPXM-15	S38100	75	8	1	...	102	...	18Cr-18Ni-2Si Smis. & welded pipe
A 312	S34565	S34565	115	8	24Cr-17Ni-6Mn-4.6Mo-N Smis. & welded pipe
A 331	8620 CW	G86200	90	3	...	102	0.5Ni-0.5Cr-Mo Bar
SA-333	6	K03006	60	1	1	...	101	...	C-Mn-Si Smis. & welded pipe
SA-333	1	K03008	55	1	1	...	101	...	C-Mn Smis. & welded pipe
SA-333	10	...	80	1	3	...	101	...	C-Mn-Si Smis. & welded pipe
SA-333	4	K11267	60	4	2	...	102	...	0.75Cr-0.75Ni-Cu-Al Smis. & welded pipe
SA-333	7	K21903	65	9A	1	...	101	...	2.5Ni Smis. & welded pipe
SA-333	9	K22035	63	9A	1	...	101	...	2Ni-1Cu Smis. & welded pipe
SA-333	3	K31918	65	9B	1	...	101	...	3.5Ni Smis. & welded pipe
SA-333	8	K81340	100	11A	1	...	101	...	9Ni Smis. & welded pipe
SA-334	6	K03006	60	1	1	...	101	...	C-Mn-Si Welded tube
SA-334	1	K03008	55	1	1	...	101	...	C-Mn Welded tube
SA-334	7	K21903	65	9A	1	...	101	...	2.5Ni Welded tube
SA-334	9	K22035	63	9A	1	...	101	...	2Ni-1Cu Welded tube
SA-334	3	K31918	65	9B	1	...	101	...	3.5Ni Welded tube
SA-334	8	K81340	100	11A	1	...	101	...	9Ni Welded tube
SA-335	P1	K11522	55	3	1	...	101	...	C-0.5Mo Smis. pipe
SA-335	P2	K11547	55	3	1	...	101	...	0.5Cr-0.5Mo Smis. pipe
SA-335	P12	K11562	60	4	1	...	102	...	1Cr-0.5Mo Smis. pipe
SA-335	P15	K11578	60	3	1	...	101	...	1.5Si-0.5Mo Smis. pipe
SA-335	P11	K11597	60	4	1	...	102	...	1.25Cr-0.5Mo-Si Smis. pipe
SA-335	P22	K21590	60	5A	1	...	102	...	2.25Cr-1Mo Smis. pipe
SA-335	P21	K31545	60	5A	1	...	102	...	3Cr-1Mo Smis. pipe
SA-335	P5c	K41245	60	5B	1	...	102	...	5Cr-0.5Mo-Ti Smis. pipe

WELDING DATA

QW/QB-422

QW/QB-422 FERROUS P-NUMBERS AND S-NUMBERS
Grouping of Base Metals for Qualification

GENERAL NOTE: To convert from ksi to MPa, multiply tensile strength in table by 6.9.

Spec. No.	Type or Grade	UNS No.	Minimum Specified Tensile, ksi	Welding				Brazing		Nominal Composition	Product Form
				P- No.	Group No.	S- No.	Group No.	P- No.	S- No.		
SA-335	P5	K41545	60	5B	1	102	...	5Cr-0.5Mo	Smls. pipe
SA-335	P5b	K51545	60	5B	1	102	...	5Cr-0.5Mo-Si	Smls. pipe
SA-335	P9	K90941	60	5B	1	102	...	9Cr-1Mo	Smls. pipe
SA-335	P91	K90901	85	5B	2	102	...	9Cr-1Mo-V	Smls. pipe
SA-336	F6	S41000	85	6	3	102	...	13Cr	Forgings
SA-336	F12	K11564	70	4	1	102	...	1Cr-0.5Mo	Forgings
SA-336	F11, Cl. 1	K11597	60	4	1	102	...	1.25Cr-0.5Mo-Si	Forgings
SA-336	F11, Cl. 2	K11572	70	4	1	102	...	1.25Cr-0.5Mo-Si	Forgings
SA-336	F11, Cl. 3	K11572	75	4	1	102	...	1.25Cr-0.5Mo-Si	Forgings
SA-336	F1	K12520	70	3	2	101	...	C-0.5Mo	Forgings
SA-336	F22, Cl. 1	K21590	60	5A	1	102	...	2.25Cr-1Mo	Forgings
SA-336	F22, Cl. 3	K21590	75	5A	1	102	...	2.25Cr-1Mo	Forgings
SA-336	F21, Cl. 1	K31545	60	5A	1	102	...	3Cr-1Mo	Forgings
SA-336	F21, Cl. 3	K31545	75	5A	1	102	...	3Cr-1Mo	Forgings
SA-336	F3V	K31830	85	5C	1	102	...	3Cr-1Mo-V-Ti-B	Forgings
SA-336	F22V	K31835	85	5C	1	102	...	2.25Cr-1Mo-V	Forgings
SA-336	F5	K41545	60	5B	1	102	...	5Cr-0.5Mo	Forgings
SA-336	F5A	K42544	80	5B	1	102	...	5Cr-0.5Mo	Forgings
SA-336	F9	K90941	85	5B	1	102	...	9Cr-1Mo	Forgings
SA-336	F91	K90901	85	5B	2	102	...	9Cr-1Mo-V	Forgings
SA-336	F46	S30600	78	8	1	102	...	18Cr-15Ni-4Si	Forgings
SA-336	FXM-19	S20910	100	8	3	102	...	22Cr-13Ni-5Mn	Forgings
SA-336	FXM-11	S21904	90	8	3	102	...	21Cr-6Ni-9Mn	Forgings
SA-336	F304	S30400	70	8	1	102	...	18Cr-8Ni	Forgings
SA-336	F304L	S30403	65	8	1	102	...	18Cr-8Ni	Forgings
SA-336	F304H	S30409	70	8	1	102	...	18Cr-8Ni	Forgings
SA-336	F304N	S30451	80	8	1	102	...	18Cr-8Ni-N	Forgings
SA-336	F304LN	S30453	70	8	1	102	...	18Cr-8Ni-N	Forgings
SA-336	F310	S31000	75	8	2	102	...	25Cr-20Ni	Forgings
SA-336	F316	S31600	70	8	1	102	...	16Cr-12Ni-2Mo	Forgings
SA-336	F316L	S31603	65	8	1	102	...	16Cr-12Ni-2Mo	Forgings

QW/QB-422 FERROUS P-NUMBERS AND S-NUMBERS
Grouping of Base Metals for Qualification

GENERAL NOTE: To convert from ksi to MPa, multiply tensile strength in table by 6.9.

Spec. No.	Type or Grade	UNS No.	Minimum Specified Tensile, ksi	Welding				Brazing		Nominal Composition	Product Form
				P- No.	Group No.	S- No.	Group No.	P- No.	S- No.		
A 381	Y56	...	71	1	101	C	Weided pipe > 3/8 in. (10 mm)
A 381	Y52	...	72	1	101	C	Weided pipe, to 3/8 in. (10 mm)
A 381	Y56	...	75	1	101	C	Weided pipe, to 3/8 in. (10 mm)
A 381	Y60	...	75	1	101	C	Weided pipe > 3/8 in. (10 mm)
A 381	Y60	...	78	1	101	C	Weided pipe ≤ 3/8 in. (10 mm)
SA-387	12, Cl. 1	K11757	55	4	1	102	...	1Cr-0.5Mo	Plate
SA-387	12, Cl. 2	K11757	65	4	1	102	...	1Cr-0.5Mo	Plate
SA-387	11, Cl. 1	K11789	60	4	1	102	...	1.25Cr-0.5Mo-Si	Plate
SA-387	11, Cl. 2	K11789	75	4	1	102	...	1.25Cr-0.5Mo-Si	Plate
SA-387	Gr. 2, Cl. 1	K12143	55	3	1	101	...	0.5Cr-0.5Mo	Plate
SA-387	Gr. 2, Cl. 2	K12143	70	3	2	101	...	0.5Cr-0.5Mo	Plate
SA-387	22, Cl. 1	K21590	60	5A	1	102	...	2.25Cr-1Mo	Plate
SA-387	22, Cl. 2	K21590	75	5A	1	102	...	2.25Cr-1Mo	Plate
SA-387	21, Cl. 1	K31545	60	5A	1	102	...	3Cr-1Mo	Plate
SA-387	21, Cl. 2	K31545	75	5A	1	102	...	3Cr-1Mo	Plate
SA-387	5, Cl. 1	K41545	60	5B	1	102	...	5Cr-0.5Mo	Plate
SA-387	5, Cl. 2	K41545	75	5B	1	102	...	5Cr-0.5Mo	Plate
SA-387	Gr. 91, Cl. 2	K90901	85	5B	2	102	...	9Cr-1Mo-V	Plate
SA-403	WPXM-19	S20910	100	8	3	102	...	22Cr-13Ni-5Mn	Wrought piping fittings
SA-403	WP304	S30400	75	8	1	102	...	18Cr-8Ni	Wrought piping fittings
SA-403	WP304L	S30403	70	8	1	102	...	18Cr-8Ni	Wrought piping fittings
SA-403	WP304H	S30409	75	8	1	102	...	18Cr-8Ni	Wrought piping fittings
SA-403	WP304N	S30451	80	8	1	102	...	18Cr-8Ni-N	Wrought piping fittings
SA-403	WP304LN	S30453	75	8	1	102	...	18Cr-8Ni-N	Wrought piping fittings
SA-403	WP309	S30900	75	8	2	102	...	23Cr-12Ni	Wrought piping fittings
SA-403	WP310	S31000	75	8	2	102	...	25Cr-20Ni	Wrought piping fittings
SA-403	WP316	S31600	75	8	1	102	...	16Cr-12Ni-2Mo	Wrought piping fittings
SA-403	WP316L	S31603	70	8	1	102	...	16Cr-12Ni-2Mo	Wrought piping fittings

WELDING DATA

QW/QB-422

QW/QB-422 FERROUS P-NUMBERS AND S-NUMBERS
Grouping of Base Metals for Qualification

GENERAL NOTE: To convert from ksi to MPa, multiply tensile strength in table by 6.9.

Spec. No.	Type or Grade	UNS No.	Minimum Specified Tensile, ksi	Welding				Brazing		Nominal Composition	Product Form
				P- No.	Group No.	S- No.	Group No.	P- No.	S- No.		
SA-403	...	S31254	94	8	4	20Cr-18Ni-6Mo	Wrought piping fittings	
SA-403	WP316H	S31609	75	8	1	102	16Cr-12Ni-2Mo	Wrought piping fittings	
SA-403	WP316N	S31651	80	8	1	102	16Cr-12Ni-2Mo-N	Wrought piping fittings	
SA-403	WP316LN	S31653	75	8	1	102	16Cr-12Ni-2Mo-N	Wrought piping fittings	
SA-403	WP317	S31700	75	8	1	102	18Cr-13Ni-3Mo	Wrought piping fittings	
SA-403	WP317L	S31703	75	8	1	102	18Cr-13Ni-3Mo	Wrought piping fittings	
SA-403	WP321	S32100	75	8	1	102	18Cr-10Ni-Ti	Wrought piping fittings	
SA-403	WP321H	S32109	75	8	1	102	18Cr-10Ni-Ti	Wrought piping fittings	
SA-403	WP347	S34700	75	8	1	102	18Cr-10Ni-Cb	Wrought piping fittings	
SA-403	WP347H	S34709	75	8	1	102	18Cr-10Ni-Cb	Wrought piping fittings	
SA-403	WP348	S34800	75	8	1	102	18Cr-10Ni-Cb	Wrought piping fittings	
SA-403	WP348H	S34809	75	8	1	102	18Cr-10Ni-Cb	Wrought piping fittings	
A 403	S34565	S34565	115	8	4	...	24Cr-17Ni-6Mn-4.5Mo-N	Wrought piping fittings	
SA-409	TP304	S30400	75	8	1	102	18Cr-8Ni	Welded pipe	
SA-409	TP304L	S30403	70	8	1	102	18Cr-8Ni	Welded pipe	
SA-409	S30815	S30815	87	8	2	102	21Cr-11Ni-N	Welded pipe	
SA-409	TP309S	S30908	75	8	2	102	23Cr-12Ni	Welded pipe	
SA-409	TP309Cb	S30940	75	8	2	102	23Cr-12Ni-Cb	Welded pipe	
SA-409	TP310S	S31008	75	8	2	102	25Cr-20Ni	Welded pipe	
SA-409	TP310Cb	S31040	75	8	2	102	25Cr-20Ni-Cb	Welded pipe	
SA-409	S31254	S31254	94	8	4	102	20Cr-18Ni-6Mo	Welded pipe	
SA-409	TP316	S31600	75	8	1	102	16Cr-12Ni-2Mo	Welded pipe	
SA-409	TP316L	S31603	70	8	1	102	16Cr-12Ni-2Mo	Welded pipe	
SA-409	TP317	S31700	75	8	1	102	18Cr-13Ni-3Mo	Welded pipe	
SA-409	S31725	S31725	75	8	4	102	19Cr-15Ni-4Mo	Welded pipe	
SA-409	S31726	S31726	80	8	4	102	19Cr-15.5Ni-4Mo	Welded pipe	
SA-409	TP321	S32100	75	8	1	102	18Cr-10Ni-Ti	Welded pipe	
SA-409	TP347	S34700	75	8	1	102	18Cr-10Ni-Cb	Welded pipe	
SA-409	TP348	S34800	75	8	1	102	18Cr-10Ni-Cb	Welded pipe	
SA-414	A	K01501	45	1	1	101	C	Sheet	
SA-414	B	K02201	50	1	1	101	C	Sheet	
SA-414	C	K02503	55	1	1	101	C	Sheet	

QW/QB-422 FERROUS P-NUMBERS AND S-NUMBERS
Grouping of Base Metals for Qualification

GENERAL NOTE: To convert from ksi to MPa, multiply tensile strength in table by 6.9.

Spec. No.	Type or Grade	UNS No.	Minimum Specified Tensile, ksi	Welding				Brazing		Nominal Composition	Product Form
				P-Group No.	S-Group No.	Group No.	P-No.	S-No.			
SA-479	XM-18	S21603	90	8	3	102	...	19Cr-8Mn-6Ni-Mo-N	Bars & shapes
SA-479	S21800	S21800	95	8	3	102	...	18Cr-8Ni-4Si-N	Bars & shapes
SA-479	XM-11	S21904	90	8	3	102	...	21Cr-6Ni-9Mn	Bars & shapes
SA-479	XM-29	S24000	100	8	3	102	...	18Cr-3Ni-12Mn	Bars & shapes
SA-479	302	S30200	75	8	1	102	...	18Cr-8Ni	Bars & shapes
SA-479	304	S30400	75	8	1	102	...	18Cr-8Ni	Bars & shapes
SA-479	304L	S30403	70	8	1	102	...	18Cr-8Ni	Bars & shapes
SA-479	304H	S30409	75	8	1	102	...	18Cr-8Ni	Bars & shapes
SA-479	304N	S30451	80	8	1	102	...	18Cr-8Ni-N	Bars & shapes
SA-479	304LN	S30453	75	8	1	102	...	18Cr-8Ni-N	Bars & shapes
SA-479	S30600	S30600	78	8	1	102	...	18Cr-15Ni-4Si	Bars & shapes
SA-479	S30815	S30815	87	8	2	102	...	21Cr-11Ni-N	Bars & shapes
SA-479	309S	S30908	75	8	2	102	...	23Cr-12Ni	Bars & shapes
SA-479	309Cb	S30940	75	8	2	102	...	23Cr-12Ni-Cb	Bars & shapes
SA-479	310S	S31008	75	8	2	102	...	25Cr-20Ni	Bars & shapes
SA-479	310Cb	S31040	75	8	2	102	...	25Cr-20Ni-Cb	Bars & shapes
SA-479	S31254	S31254	95	8	4	102	...	20Cr-18Ni-6Mo	Bars & shapes
SA-479	316	S31600	75	8	1	102	...	16Cr-12Ni-2Mo	Bars & shapes
SA-479	316L	S31603	70	8	1	102	...	16Cr-12Ni-2Mo	Bars & shapes
SA-479	316H	S31609	75	8	1	102	...	16Cr-12Ni-2Mo	Bars & shapes
SA-479	316Ti	S31635	75	8	1	102	...	16Cr-12Ni-2Mo-Ti	Bars & shapes
SA-479	316Cb	S31640	75	8	1	102	...	16Cr-12Ni-2Mo-Cb	Bars & shapes
SA-479	316N	S31651	80	8	1	102	...	16Cr-12Ni-2Mo-N	Bars & shapes
SA-479	316LN	S31653	75	8	1	102	...	16Cr-12Ni-2Mo-N	Bars & shapes
SA-479	S31725	S31725	75	8	4	102	...	19Cr-15Ni-4Mo	Bars & shapes
SA-479	S31726	S31726	80	8	4	102	...	19Cr-15.5Ni-4Mo	Bars & shapes
SA-479	321	S32100	75	8	1	102	...	18Cr-10Ni-Ti	Bars & shapes
SA-479	321H	S32109	75	8	1	102	...	18Cr-10Ni-Ti	Bars & shapes
SA-479	S32550	S32550	110	10H	1	102	...	25Cr-5Ni-3Mo-2Cu	Bars & shapes
SA-479	347	S34700	75	8	1	102	...	18Cr-10Ni-Cb	Bars & shapes
SA-479	347H	S34709	75	8	1	102	...	18Cr-10Ni-Cb	Bars & shapes
SA-479	348	S34800	75	8	1	102	...	18Cr-10Ni-Cb	Bars & shapes

QW/QB-422 FERROUS P-NUMBERS AND S-NUMBERS
Grouping of Base Metals for Qualification

GENERAL NOTE: To convert from ksi to MPa, multiply tensile strength in table by 6.9.

Spec. No.	Type or Grade	UNS No.	Minimum Specified Tensile, ksi	Welding				Brazing		Nominal Composition	Product Form
				P-Group No.	S-Group No.	Group No.	P-No.	S-No.			
SA-479	348H	S34809	75	8	1	102	...	18Cr-10Ni-Cb	Bars & shapes
SA-479	403	S40300	70	6	1	102	...	12Cr	Bars & shapes
SA-479	405	S40500	60	7	1	102	...	12Cr-1Al	Bars & shapes
SA-479	410	S41000	70	6	1	102	...	13Cr	Bars & shapes
SA-479	414	S41400	115	6	4	102	...	12.5Cr-2Ni-Si	Bars & shapes
SA-479	S41500	S41500	115	6	4	102	...	13Cr-4.5Ni-Mo	Bars & shapes
SA-479	430	S43000	70	7	2	102	...	17Cr	Bars & shapes
SA-479	439	S43035	70	7	2	102	...	18Cr-Ti	Bars & shapes
SA-479	S44400	S44400	60	7	2	102	...	18Cr-2Mo	Bars & shapes
SA-479	XM-27	S44627	65	10I	1	102	...	27Cr-1Mo	Bars & shapes
SA-479	S44700	S44700	70	10J	1	102	...	29Cr-4Mo	Bars & shapes
SA-479	S44800	S44800	70	10K	1	102	...	29Cr-4Mo-2Ni	Bars & shapes
SA-487	Gr. 16, Cl. A	J13200	70	1	2	101	...	Low C-Mn-Ni	Castings
SA-487	Gr. 1, Cl. A	J13002	85	10A	1	101	...	Mn-V	Castings
SA-487	Gr. 1, Cl. B	J13002	90	10A	1	101	...	Mn-V	Castings
SA-487	Gr. 2, Cl. A	J13005	85	3	3	101	...	Mn-0.25Mo-V	Castings
SA-487	Gr. 2, Cl. B	J13005	90	3	3	101	...	Mn-0.25Mo-V	Castings
SA-487	Gr. 4, Cl. A	J13047	90	3	3	101	...	0.5Ni-0.5Cr-0.25Mo-V	Castings
SA-487	Gr. 4, Cl. B	J13047	105	11A	3	101	...	0.5Ni-0.5Cr-0.25Mo-V	Castings
SA-487	Gr. 4, Cl. E	J13047	115	11A	3	101	...	0.5Ni-0.5Cr-0.25Mo-V	Castings
SA-487	Gr. 8, Cl. A	J22091	85	5C	1	102	...	2.25Cr-1Mo	Castings
SA-487	Gr. 8, Cl. C	J22091	100	5C	4	102	...	2.25Cr-1Mo	Castings
SA-487	Gr. 8, Cl. B	J22091	105	5C	4	102	...	2.25Cr-1Mo	Castings
SA-487	CA15M Cl. A	J91151	90	6	3	102	...	13Cr-Mo	Castings
SA-487	CA15 Cl. C	J91150	90	6	3	102	...	13Cr	Castings
SA-487	CA15 Cl. B	J91171	90	6	3	102	...	13Cr	Castings
SA-487	CA15 Cl. D	J91171	100	6	3	102	...	13Cr	Castings
SA-487	CA6NM Cl. B	J91540	100	6	4	102	...	13Cr-4Ni	Castings
SA-487	CA6NM Cl. A	J91540	110	6	4	102	...	13Cr-4Ni	Castings
SA-494	CX2MW	N26022	80	44	112	...	59Ni-22Cr-14Mo-4Fe-3W	Castings

QW/QB-422 FERROUS P-NUMBERS AND S-NUMBERS
Grouping of Base Metals for Qualification

GENERAL NOTE: To convert from ksi to MPa, multiply tensile strength in table by 6.9.

Spec. No.	Type or Grade	UNS No.	Minimum Specified Tensile, ksi	Welding				Brazing		Nominal Composition	Product Form
				P-Group No.	S-Group No.	Group No.	P-No.	S-No.			
A 494	CW-6M	N30107	72	...	44	112	56Ni-19Mo-18Cr-2Fe	Castings	
A 500	C	K02705	62	...	1	1	...	101	C	Tube	
A 500	B	K03000	58	...	1	1	...	101	C	Tube	
A 501	...	K03000	58	...	1	1	...	101	C	Tube	
SA-508	3, Cl. 1	K12042	80	3	3	...	101	...	0.75Ni-0.5Mo-Cr-V	Forgings	
SA-508	3, Cl. 2	K12042	90	3	3	...	102	...	0.75Ni-0.5Mo-Cr-V	Forgings	
SA-508	2, Cl. 1	K12766	80	3	3	...	101	...	0.75Ni-0.5Mo-0.3Cr-V	Forgings	
SA-508	2, Cl. 2	K12766	90	3	3	...	101	...	0.75Ni-0.5Mo-0.3Cr-V	Forgings	
SA-508	1	K13502	70	1	2	...	101	...	C-Si	Forgings	
SA-508	1A	...	70	1	2	...	101	...	C-Mn-Si	Forgings	
SA-508	22, Cl. 3	K21590	85	5C	1	2.25Cr-1Mo	Forgings	
SA-508	4N, Cl. 3	K22375	90	3	3	...	102	...	3.5Ni-1.75Cr-0.5Mo-V	Forgings	
SA-508	4N, Cl. 1	K22375	105	11A	5	...	102	...	3.5Ni-1.75Cr-0.5Mo-V	Forgings	
SA-508	4N, Cl. 2	K22375	115	11A	5	...	102	...	3.5Ni-1.75Cr-0.5Mo-V	Forgings	
SA-508	3V	K31830	85	5C	1	...	102	...	3Cr-1Mo-V-Ti-B	Forgings	
SA-508	5, Cl. 1	K42365	105	11A	5	...	102	...	3.5Ni-1.75Cr-0.5Mo-V	Forgings	
SA-508	5, Cl. 2	K42365	115	11A	5	...	102	...	3.5Ni-1.75Cr-0.5Mo-V	Forgings	
SA-513	1008	G10080	42	1	1	...	101	...	C	Tube	
SA-513	1010	G10100	45	1	1	...	101	...	C	Tube	
SA-513	1015	G10150	48	1	1	...	101	...	C	Tube	
A 513	1015 CW	G10150	65	1	...	101	C	Tube	
A 513	1020 CW	G10200	70	1	...	101	C	Tube	
A 513	1025 CW	G10250	75	1	...	101	C	Tube	
A 513	1026 CW	G10260	80	1	...	101	C	Tube	
A 514	F	K11576	110	11B	3	...	0.75Ni-0.5Cr-0.5Mo-V	Plate, 2 1/2 in. (64 mm) max.	
A 514	J	K11625	110	11B	6	...	C-0.5Mo	Plate, 1 1/4 in. (32 mm) max.	
A 514	B	K11630	110	11B	4	...	0.5Cr-0.2Mo-V	Plate, 1 1/4 in. (32 mm) max.	
A 514	D	K11662	110	11B	5	...	1Cr-0.2Mo-Si	Plate, 1 1/4 in. (32 mm) max.	
A 514	A	K11856	110	11B	1	...	0.5Cr-0.25Mo-Si	Plate, 1 1/4 in. (32 mm) max.	
A 514	E	K21604	100	11B	2	...	1.75Cr-0.5Mo-Cu	Plate > 2 1/2-6 in. (64-152 mm), incl.	
A 514	E	K21604	110	11B	2	...	1.75Cr-0.5Mo-Cu	Plate, 2 1/2 in. (64 mm) max.	

WELDING DATA

QW/QB-422

QW/QB-422 FERROUS P-NUMBERS AND S-NUMBERS
Grouping of Base Metals for Qualification

GENERAL NOTE: To convert from ksi to MPa, multiply tensile strength in table by 6.9.

Spec. No.	Type or Grade	UNS No.	Minimum Specified Tensile, ksi	Welding				Brazing		Nominal Composition	Product Form
				P- No.	Group No.	S- No.	Group No.	P- No.	S- No.		
A 514	P	K21650	100	11B	8	...	102	1.25Ni-1Cr-0.5Mo	Plate > 2 1/2-6 in. (64-152 mm), incl.
A 514	P	K21650	110	11B	8	...	102	1.25Ni-1Cr-0.5Mo	Plate, 2 1/2 in. (64 mm) max.
A 514	Q	...	100	11B	9	...	102	1.3Ni-1.3Cr-0.5Mo-V	Plate > 2 1/2-6 in. (64-152 mm), incl.
A 514	Q	...	110	11B	9	...	102	1.3Ni-1.3Cr-0.5Mo-V	Plate, 2 1/2 in. (64 mm) max.
SA-515	60	K02401	60	1	1	101	...	C-Si	Plate
SA-515	65	K02800	65	1	1	101	...	C-Si	Plate
SA-515	70	K03101	70	1	2	101	...	C-Si	Plate
SA-516	55	K01800	55	1	1	101	...	C-Si	Plate
SA-516	60	K02100	60	1	1	101	...	C-Mn-Si	Plate
SA-516	65	K02403	65	1	1	101	...	C-Mn-Si	Plate
SA-516	70	K02700	70	1	2	101	...	C-Mn-Si	Plate
SA-517	F	K11576	115	11B	3	101	...	0.75Ni-0.5Cr-0.5Mo-V	Plate ≤ 2 1/2 in. (64 mm)
SA-517	J	K11625	115	11B	6	101	...	C-0.5Mo	Plate ≤ 1 1/4 in. (32 mm)
SA-517	B	K11630	115	11B	4	101	...	0.5Cr-0.2Mo-V	Plate ≤ 1 1/4 in. (32 mm)
SA-517	A	K11856	115	11B	1	101	...	0.5Cr-0.25Mo-Si	Plate ≤ 1 1/4 in. (32 mm)
SA-517	E	K21604	105	11B	2	102	...	1.75Cr-0.5Mo-Cu	Plate > 2 1/2-6 in. (64-152 mm)
SA-517	E	K21604	115	11B	2	102	...	1.75Cr-0.5Mo-Cu	Plate ≤ 2 1/2 in. (64 mm)
SA-517	P	K21650	105	11B	8	102	...	1.25Ni-1Cr-0.5Mo	Plate > 2 1/2-4 in. (64-102 mm)
SA-517	P	K21650	115	11B	8	102	...	1.25Ni-1Cr-0.5Mo	Plate ≤ 2 1/2 in. (64 mm)
A 519	1018 HR	G10180	50	1	1	...	101	C	Tube
A 519	1018 CW	G10180	70	1	2	...	101	C	Tube
A 519	1020 HR	G10200	50	1	1	...	101	C	Tube
A 519	1020 CW	G10200	70	1	2	...	101	C	Tube
A 519	1022 HR	G10220	50	1	1	...	101	C	Tube
A 519	1022 CW	G10220	70	1	2	...	101	C	Tube
A 519	1025 HR	G10250	55	1	1	...	101	C	Tube
A 519	1025 CW	G10250	75	1	2	...	101	C	Tube
A 519	1026 HR	G10260	55	1	1	...	101	C	Tube
A 519	1026 CW	G10260	75	1	2	...	101	C	Tube

QW/QB-422 FERROUS P-NUMBERS AND S-NUMBERS
Grouping of Base Metals for Qualification

GENERAL NOTE: To convert from ksi to MPa, multiply tensile strength in table by 6.9.

Spec. No.	Type or Grade	UNS No.	Minimum Specified Tensile, ksi	Welding				Brazing		Nominal Composition	Product Form
				P- No.	Group No.	S- No.	Group No.	P- No.	S- No.		
SA-543	C Cl. 1	K42338	105	11A	5	102	...	2.75Ni-1.5Cr-0.5Mo	Plate
SA-543	C Cl. 2	K42338	115	11B	10	102	...	2.75Ni-1.5Cr-0.5Mo	Plate
SA-553	II	K71340	100	11A	1	101	...	8Ni	Plate
SA-553	I	K81340	100	11A	1	101	...	9Ni	Plate
SA-556	A2	K01807	47	1	1	101	...	C	Smls. tube
SA-556	B2	K02707	60	1	1	101	...	C-Si	Smls. tube
SA-556	C2	K03006	70	1	2	101	...	C-Si	Smls. tube
SA-557	A2	K01807	47	1	1	101	...	C	E.R.W. tube
SA-557	B2	K03007	60	1	1	101	...	C	E.R.W. tube
SA-557	C2	K03505	70	1	2	101	...	C-Mn	E.R.W. tube
SA-562	...	K11224	55	1	1	101	...	C-Mn-Ti	Plate
A 570	30	K02502	49	1	1	...	101	C	Sheet & strip
A 570	33	K02502	52	1	1	...	101	C	Sheet & strip
A 570	36	K02502	53	1	1	...	101	C	Sheet & strip
A 570	40	K02502	55	1	1	...	101	C	Sheet & strip
A 570	45	K02507	60	1	1	...	101	C	Sheet & strip
A 570	50	K02507	65	1	1	...	101	C	Sheet & strip
A 572	42	...	60	1	1	...	101	C-Mn-Si	Plate & shapes
A 572	50	...	65	1	1	...	101	C-Mn-Si	Plate & shapes
A 572	60	...	75	1	2	...	101	C-Mn-Si	Plate & shapes
A 573	58	...	58	1	1	...	101	C	Plate
A 573	65	...	65	1	1	...	101	C	Plate
A 573	70	...	70	1	2	...	101	C	Plate
A 575	M 1008	1	1	...	101	C	Bar
A 575	M 1010	1	1	...	101	C	Bar
A 575	M 1012	1	1	...	101	C	Bar
A 575	M 1015	1	1	...	101	C	Bar
A 575	M 1017	1	1	...	101	C	Bar

WELDING DATA

QW/QB-422

QW/QB-422 FERROUS P-NUMBERS AND S-NUMBERS
Grouping of Base Metals for Qualification

GENERAL NOTE: To convert from ksi to MPa, multiply tensile strength in table by 6.9.

Spec. No.	Type or Grade	UNS No.	Minimum Specified Tensile, ksi	Welding				Brazing		Nominal Composition	Product Form
				P-Group No.	S-Group No.	Group No.	P-No.	S-No.			
A 575	M 1020	1	...	1	...	C	Bar	
A 575	M 1023	1	101 C	Bar	
A 575	M 1025	1	101 C	Bar	
A 576	G10080	1	101 C	Bar	
A 576	G10100	1	101 C	Bar	
A 576	G10120	1	101 C	Bar	
A 576	G10150	1	101 C	Bar	
A 576	G10160	1	101 C	Bar	
A 576	G10170	1	101 C	Bar	
A 576	G10180	1	101 C	Bar	
A 576	G10190	1	101 C	Bar	
A 576	G10200	1	101 C	Bar	
A 576	G10210	1	101 C	Bar	
A 576	G10220	1	101 C	Bar	
A 576	G10230	1	101 C	Bar	
A 576	G10250	1	101 C	Bar	
SA-587	...	K11500	48	1	1	101	...	C	E.R.W. pipe
A 588	A, a	K11430	63	3	101	Mn-0.5Cr-0.3Cu-Si-V	Plate & bar
A 588	A, b	K11430	67	3	101	Mn-0.5Cr-0.3Cu-Si-V	Plate & bar
A 588	A, c	K11430	70	3	101	Mn-0.5Cr-0.3Cu-Si-V	Plate & shapes
A 588	B, a	K12043	63	3	101	Mn-0.6Cr-0.3Cu-Si-V	Plate & bar
A 588	B, b	K12043	67	3	101	Mn-0.6Cr-0.3Cu-Si-V	Plate & bar
A 588	B, c	K12043	70	3	101	Mn-0.6Cr-0.3Cu-Si-V	Plate & shapes
SA-592	F	K11576	105	11B	3	101	...	0.75Ni-0.5Cr-0.5Mo-V	Forgings, 2 1/2-4 in. (64-102 mm)
SA-592	F	K11576	115	11B	3	101	...	0.75Ni-0.5Cr-0.5Mo-V	Forgings, 2 1/2 in. (64 mm) & under
SA-592	E	K11695	105	11B	2	102	...	1.75Cr-0.5Mo-Cu	Forgings, 2 1/2-4 in. (64-102 mm)
SA-592	E	K11695	115	11B	2	102	...	1.75Cr-0.5Mo-Cu	Forgings, 2 1/2 in. (64 mm) & under

WELDING DATA

QW/QB-422

QW/QB-422 FERROUS P-NUMBERS AND S-NUMBERS
Grouping of Base Metals for Qualification

GENERAL NOTE: To convert from ksi to MPa, multiply tensile strength in table by 6.9.

Spec. No.	Type or Grade	UNS No.	Minimum Specified Tensile, ksi	Welding				Brazing		Nominal Composition	Product Form
				P- No.	Group No.	S- No.	Group No.	P- No.	S- No.		
SA-814	TP309Cb	S30940	75	8	2	102	...	23Cr-12Ni-Cb	Cold worked welded pipe
SA-814	TP310S	S31008	75	8	2	102	...	25Cr-20Ni	Cold worked welded pipe
SA-814	TP310Cb	S31040	75	8	2	102	...	25Cr-20Ni-Cb	Cold worked welded pipe
SA-814	S31254	S31254	94	8	4	102	...	20Cr-18Ni-6Mo	Cold worked welded pipe
SA-814	TP316	S31600	75	8	1	102	...	16Cr-12Ni-2Mo	Cold worked welded pipe
SA-814	TP316L	S31603	70	8	1	102	...	16Cr-12Ni-2Mo	Cold worked welded pipe
SA-814	TP316H	S31609	75	8	1	102	...	16Cr-12Ni-2Mo	Cold worked welded pipe
SA-814	TP316N	S31651	80	8	1	102	...	16Cr-12Ni-2Mo-N	Cold worked welded pipe
SA-814	TP316LN	S31653	75	8	1	102	...	16Cr-12Ni-2Mo-N	Cold worked welded pipe
SA-814	TP317	S31700	75	8	1	102	...	18Cr-13Ni-3Mo	Cold worked welded pipe
SA-814	TP317L	S31703	75	8	1	102	...	18Cr-13Ni-3Mo	Cold worked welded pipe
SA-814	TP321	S32100	75	8	1	102	...	18Cr-10Ni-Ti	Cold worked welded pipe
SA-814	TP321H	S32109	75	8	1	102	...	18Cr-10Ni-Ti	Cold worked welded pipe
SA-814	TP347	S34700	75	8	1	102	...	18Cr-10Ni-Cb	Cold worked welded pipe
SA-814	TP347H	S34709	75	8	1	102	...	18Cr-10Ni-Cb	Cold worked welded pipe
SA-814	TP348	S34800	75	8	1	102	...	18Cr-10Ni-Cb	Cold worked welded pipe
SA-814	TP348H	S34809	75	8	1	102	...	18Cr-10Ni-Cb	Cold worked welded pipe
SA-814	TPXM-15	S38100	75	8	1	102	...	18Cr-18Ni-2Si	Cold worked welded pipe
SA-815	S31803	S31803	90	10H	1	102	...	22Cr-5Ni-3Mo-N	Fittings
SA-815	S41500	S41500	110	6	4	102	...	13Cr-4.5Ni-Mo	Fittings
SA-815	S32760	S32760	109	10H	1	...	102	25Cr-8Ni-3Mo-W-Cu-N	Fittings
SA-832	21V	K31830	85	5C	1	102	...	3Cr-1Mo-V-Ti-B	Plate
SA-832	22V	K31835	85	5C	1	2.25Cr-1Mo-V	Plate
SA-836	55	1	1	101	...	C-Si-Ti	Forgings
A 890	CD3MWCuN	J93380	100	10H	1	...	102	25Cr-8Ni-3Mo-W-Cu-N	Castings
A 928	...	S32760	109	10H	1	...	102	25Cr-8Ni-3Mo-W-Cu-N	Welded pipe
API 5L	A25, Cl. I	...	45	1	1	...	101	C-Mn	Sms. & welded pipe & tubes
API 5L	A25, Cl. II	...	45	1	1	...	101	C-Mn	Sms. & welded pipe & tubes
API 5L	A	...	48	1	1	...	101	C-Mn	Sms. & welded pipe & tubes

QW/QB-422 FERROUS P-NUMBERS AND S-NUMBERS
 Grouping of Base Metals for Qualification

GENERAL NOTE: To convert from ksi to MPa, multiply tensile strength in table by 6.9.

Spec. No.	Type or Grade	UNS No.	Minimum Specified Tensile, ksi	Welding				Brazing		Nominal Composition	Product Form
				P- No.	Group No.	S- No.	Group No.	P- No.	S- No.		
API 5L B		...	60	1	101	C-Mn	Smls. & welded pipe & tubes
API 5L X42		...	60	1	101	C-Mn	Smls. & welded pipe & tubes
API 5L X46		...	63	1	101	C-Mn	Smls. & welded pipe & tubes
API 5L X52		...	66	1	101	C-Mn	Smls. & welded pipe & tubes
API 5L X56		...	71	1	2	...	101	C-Mn	Smls. & welded pipe & tubes
API 5L X60		...	75	1	2	...	101	C-Mn	Smls. & welded pipe & tubes
API 5L X65		...	77	1	2	...	101	C-Mn	Smls. & welded pipe & tubes
API 5L X70		...	82	1	3	...	101	C-Mn	Smls. & welded pipe & tubes
API 5L X80		...	90	1	4	...	101	C-Mn	Smls. & welded pipe & tubes
MSS SP-75 WPHY-42		...	60	1	1	...	101	C-Mn	Smls./welded fittings
MSS SP-75 WPHY-46		...	63	1	1	...	101	C-Mn	Smls./welded fittings
MSS SP-75 WPHY-52		...	66	1	1	...	101	C-Mn	Smls./welded fittings
MSS SP-75 WPHY-56		...	71	1	2	...	101	C-Mn	Smls./welded fittings
MSS SP-75 WPHY-60		...	75	1	2	...	101	C-Mn	Smls./welded fittings
MSS SP-75 WPHY-65		...	77	1	2	...	101	C-Mn	Smls./welded fittings
MSS SP-75 WPHY-70		...	82	1	3	...	101	C-Mn	Smls./welded fittings
SA/CSA-Gr. 38W G40.21		...	60	1	1	101	...	C-Mn-Si	Plate, bar, & shapes
SA/CSA-Gr. 44W G40.21		...	60	1	1	101	...	C-Mn-Si	Plate, bar, & shapes
SA/EN 10028-2 295GH		...	64	1	1	101	...	C-Mn-Si	Plate > 4 in. (102 mm)
SA/EN 10028-2 295GH		...	67	1	1	101	...	C-Mn-Si	Plate ≤ 4 in. (102 mm)
SA/EN 10028-3 P275NH		...	53.5	1	1	101	...	C	Plate > 2 in. ≤ 4 in.
SA/EN 10028-3 P275NH		...	56.5	1	1	101	...	C	Plate ≤ 2 in.

WELDING DATA

QW/QB-422

QW/QB-422 NONFERROUS P-NUMBERS AND S-NUMBERS
(Grouping of Base Metals for Qualification)

GENERAL NOTE: To convert from ksi to MPa, multiply tensile strength in table by 6.9.

Spec. No.	UNS No.	Alloy, Type, or Grade	Minimum Specified Tensile, ksi	Welding		Brazing		Nominal Composition	Product Form
				P- No.	S- No.	P- No.	S- No.		
SB-150	C61400	...	70	35	...	108	...	90Cu-7Al-3Fe	Rod & bar
SB-150	C62300	...	75	35	...	108	...	88Cu-9Al-3Fe	Rod (round)
SB-150	C63000	...	85	35	...	108	...	81Cu-10Al-5Ni-3Fe	Rod & bar
SB-150	C64200	...	70	35	...	108	...	91Cu-7Al-2Si	Rod & bar
SB-151	C70600	...	38	34	...	107	...	90Cu-10Ni	Rod & bar
SB-152	C10200	...	30	31	...	107	...	99.95Cu-P	Pit, sht, strip, & bar
SB-152	C10400	...	30	31	...	107	...	99.95Cu + Ag	Pit, sht, strip, & bar
SB-152	C10500	...	30	31	...	107	...	99.95Cu + Ag	Pit, sht, strip, & bar
SB-152	C10700	...	30	31	...	107	...	99.95Cu + Ag	Pit, sht, strip, & bar
SB-152	C11000	...	30	31	...	107	...	99.90Cu	Pit, sht, strip, & bar
SB-152	C12200	...	30	31	...	107	...	99.9Cu-P	Pit, sht, strip, & bar
SB-152	C12300	...	30	31	...	107	...	99.9Cu-P	Pit, sht, strip, & bar
SB-152	C12500	...	30	31	...	107	...	99.88Cu	Pit, sht, strip, & bar
SB-152	C14200	...	30	31	...	107	...	99.4Cu-As-P	Pit, sht, strip, & bar
SB-160	N02200	...	55	41	...	110	...	99.0Ni	Rod & bar
SB-160	N02201	...	50	41	...	110	...	99.0Ni-Low C	Rod & bar
SB-161	N02200	...	55	41	...	110	...	99.0Ni	Smls. pipe & tube
SB-161	N02201	...	50	41	...	110	...	99.0Ni-Low C	Smls. pipe & tube
SB-162	N02200	...	55	41	...	110	...	99.0Ni	Plate, sheet, & strip
SB-162	N02201	...	50	41	...	110	...	99.0Ni-Low C	Plate, sheet, & strip
SB-163	N02200	...	55	41	...	110	...	99.0Ni	Smls. tube
SB-163	N02201	...	50	41	...	110	...	99.0Ni-Low C	Smls. tube
SB-163	N04400	...	70	42	...	110	...	67Ni-30Cu	Smls. tube
SB-163	N06600	...	80	43	...	111	...	72Ni-15Cr-8Fe	Smls. tube
SB-163	N06690	...	85	43	...	111	...	58Ni-29Cr-9Fe	Smls. tube
SB-163	N08800	...	75	45	...	111	...	33Ni-42Fe-21Cr	Smls. tube
SB-163	N08810	...	65	45	...	111	...	33Ni-42Fe-21Cr	Smls. tube
SB-163	N08811	...	65	45	33Ni-42Fe-21Cr-Al-Ti	Smls. tube
SB-163	N08825	...	85	45	...	111	...	42Ni-21.5Cr-3Mo-2.3Cu	Smls. tube
SB-164	N04400	...	70	42	...	110	...	67Ni-30Cu	Rod, bar, & wire

QW/QB-422 NONFERROUS P-NUMBERS AND S-NUMBERS
(Grouping of Base Metals for Qualification)

GENERAL NOTE: To convert from ksi to MPa, multiply tensile strength in table by 6.9.

Spec. No.	UNS No.	Alloy, Type, or Grade	Minimum Specified Tensile, ksi	Welding		Brazing		Nominal Composition	Product Form
				P-No.	S-No.	P-No.	S-No.		
SB-164	N04405	...	70	42	...	110	...	67Ni-30Cu	Rod, bar, & wire
SB-165	N04400	...	70	42	...	110	...	67Ni-30Cu	Smls. pipe & tube
SB-166	N06045	...	90	46	46Ni-27Cr-23Fe-2.75Si	Rod, bar, & wire
SB-166	N06600	...	80	43	...	111	...	72Ni-15Cr-8Fe	Rod, bar, & wire
SB-166	N06690	...	85	43	...	111	...	58Ni-29Cr-9Fe	Rod, bar, & wire
SB-167	N06045	...	90	46	46Ni-27Cr-23Fe-2.75Si	Smls. pipe & tube
SB-167	N06600	...	75	43	...	111	...	72Ni-15Cr-8Fe	Smls. pipe & tube
SB-167	N06690	...	75	43	...	111	...	58Ni-29Cr-9Fe	Smls. pipe & tube
SB-168	N06045	...	90	46	46Ni-27Cr-23Fe-2.75Si	Plate, sheet, & strip
SB-168	N06600	...	80	43	...	111	...	72Ni-15Cr-8Fe	Plate, sheet, & strip
SB-168	N06690	...	85	43	...	111	...	58Ni-29Cr-9Fe	Plate, sheet, & strip
SB-169	C61400	...	65	35	...	108	...	90Cu-7Al-3Fe	Plt, sht, strip, & bar
SB-171	C36500	...	40	32	...	107	...	60Cu-39Zn-Pb	Plate & sheet
SB-171	C44300	...	45	32	...	107	...	71Cu-28Zn-1Sn-0.06As	Plate & sheet
SB-171	C44400	...	45	32	...	107	...	71Cu-28Zn-1Sn-0.06Sb	Plate & sheet
SB-171	C44500	...	45	32	...	107	...	71Cu-28Zn-1Sn-0.06P	Plate & sheet
SB-171	C46400	...	50	32	...	107	...	60Cu-39Zn-Sn	Plate & sheet
SB-171	C46500	...	50	32	...	107	...	60Cu-39Zn-As	Plate & sheet
SB-171	C61400	...	65	35	...	108	...	90Cu-7Al-3Fe	Plate & sheet > 2-5 in. (51-127 mm), incl.
SB-171	C61400	...	70	35	...	108	...	90Cu-7Al-3Fe	Plate & sheet ≤ 2 in. (51 mm)
SB-171	C63000	...	80	35	...	108	...	81Cu-10Al-5Ni-3Fe	Plate & sheet > 3 1/2-5 in. (89-127 mm), incl.
SB-171	C63000	...	85	35	...	108	...	81Cu-10Al-5Ni-3Fe	Plate & sheet > 2-3.5 in. (51-89 mm), incl.
SB-171	C63000	...	90	35	...	108	...	81Cu-10Al-5Ni-3Fe	Plate & sheet ≤ 2 in. (51 mm)
SB-171	C70600	...	40	34	...	107	...	90Cu-10Ni	Plate & sheet
SB-171	C71500	...	45	34	...	107	...	70Cu-30Ni	Plate & sheet > 2.5-5 in. (64-127 mm), incl.
SB-171	C71500	...	50	34	...	107	...	70Cu-30Ni	Plate & sheet ≤ 2.5 in. (64 mm)
SB-187	C10200	060	28	31	99.95Cu-P	Rod & bar
SB-187	C11000	060	28	31	99.9Cu	Rod & bar
SB-209	A91060	1060	8	21	...	104	...	99.60Al	Plate & sheet

QW/QB-422 NONFERROUS P-NUMBERS AND S-NUMBERS
(Grouping of Base Metals for Qualification)

GENERAL NOTE: To convert from ksi to MPa, multiply tensile strength in table by 6.9.

Spec. No.	UNS No.	Alloy, Type, or Grade	Minimum Specified Tensile, ksi	Welding		Brazing		Nominal Composition	Product Form
				P-No.	S-No.	P-No.	S-No.		
SB-209	A91100	1100	11	21	...	104	...	99.0Al-Cu	Plate & sheet
SB-209	A93003	3003	14	21	...	104	...	Al-Mn-Cu	Plate & sheet
SB-209	A93004	3004	22	22	...	104	...	Al-Mn-Mg	Plate & sheet
SB-209	A95052	5052	25	22	...	105	...	Al-2.5Mg	Plate & sheet
SB-209	A95083	5083	36	25	...	105	...	Al-4.4Mg-Mn	Plate & sheet > 7-8 in. (178-203 mm), incl.
SB-209	A95083	5083	37	25	...	105	...	Al-4.4Mg-Mn	Plate & sheet > 5-7 in. (127-178 mm), incl.
SB-209	A95083	5083	38	25	...	105	...	Al-4.4Mg-Mn	Plate & sheet > 3-5 in. (76-127 mm), incl.
SB-209	A95083	5083	39	25	...	105	...	Al-4.4Mg-Mn	Plate & sheet > 1.5-3 in. (38-76 mm), incl.
SB-209	A95083	5083	40	25	...	105	...	Al-4.4Mg-Mn	Plate & sheet > 0.05-1.5 in. (1.3-38 mm), incl.
SB-209	A95086	5086	34	25	...	105	...	Al-4.0Mg-Mn	Plate & sheet > 2-3 in. (51-76 mm), incl.
SB-209	A95086	5086	35	25	...	105	...	Al-4.0Mg-Mn	Plate & sheet > 0.05-2 in. (1.3-51 mm), incl.
SB-209	A95154	5154	30	22	...	105	...	Al-3.5Mg	Plate & sheet
SB-209	A95254	5254	30	22	...	105	...	Al-3.5Mg	Plate & sheet
SB-209	A95454	5454	31	22	...	105	...	Al-2.7Mg-Mn	Plate & sheet
SB-209	A95456	5456	38	25	...	105	...	Al-5.1Mg-Mn	Plate & sheet > 7-8 in. (178-203 mm), incl.
SB-209	A95456	5456	39	25	...	105	...	Al-5.1Mg-Mn	Plate & sheet > 5-7 in. (127-178 mm), incl.
SB-209	A95456	5456	40	25	...	105	...	Al-5.1Mg-Mn	Plate & sheet > 3-5 in. (76-127 mm), incl.
SB-209	A95456	5456	41	25	...	105	...	Al-5.1Mg-Mn	Plate & sheet > 1.5-3 in. (38-76 mm), incl.
SB-209	A95456	5456	42	25	...	105	...	Al-5.1Mg-Mn	Plate & sheet > 0.05-1.5 in. (1.3-38 mm), incl.
SB-209	A95652	5652	25	22	...	105	...	Al-2.5Mg	Plate & sheet
SB-209	A96061	6061	24	23	...	105	...	Al-Mg-Si-Cu	Plate & sheet
SB-209	...	Alclad 3003	13	21	...	104	...	Al-Mn-Cu	Plate & sheet > 0.05 in. < 0.5 in. (> 1.3 mm < 13 mm)
SB-209	...	Alclad 3003	14	21	...	104	...	Al-Mn-Cu	Plate & sheet \geq 0.5-3 in. (13-76 mm), incl.
SB-209	...	Alclad 3004	21	22	...	104	...	Al-Mn-Mg	Plate & sheet > 0.05 in. < 0.5 in. (> 1.3 mm < 13 mm)
SB-209	...	Alclad 3004	22	22	...	104	...	Al-Mn-Mg	Plate & sheet \geq 0.5-3 in. (13-76 mm), incl.
SB-209	...	Alclad 6061	24	23	...	105	...	Al-Mg-Si-Cu	Plate & sheet
B 209	A95050	5050	18	...	21	...	105	Al-1.5Mg	Plate & sheet
SB-210	A91060	1060	8.5	21	...	104	...	99.60Al	Smls. tube
SB-210	...	Alclad 3003	13	21	...	104	...	Al-Mn-Cu	Smls. tube

WELDING DATA

QW/QB-422

QW/QB-422 NONFERROUS P-NUMBERS AND S-NUMBERS
(Grouping of Base Metals for Qualification)

GENERAL NOTE: To convert from ksi to MPa, multiply tensile strength in table by 6.9.

Spec. No.	UNS No.	Alloy, Type, or Grade	Minimum Specified Tensile, ksi	Welding		Brazing		Nominal Composition	Product Form
				P-No.	S-No.	P-No.	S-No.		
SB-210	A93003	3003	14	21	...	104	...	Al-Mn-Cu	Smls. tube
SB-210	A95052	5052	25	22	...	105	...	Al-2.5Mg	Smls. tube
SB-210	A95154	5154	30	22	...	105	...	Al-3.5Mg	Smls. tube
SB-210	A96061	6061	24	23	...	105	...	Al-Mg-Si-Cu	Smls. tube
SB-210	A96063	6063	17	23	...	105	...	Al-Mg-Si	Smls. tube
B 210	A95083	5083	39	...	25	...	105	Al-4.4Mg-Mn	Smls. tube
B 210	A95086	5086	35	...	25	...	105	Al-4.0Mg-Mn	Smls. tube
B 210	A95456	5456	41	...	25	Al-5.1Mg-Mn	Smls. tube
SB-211	A96061	6061	24	23	...	105	...	Al-Mg-Si-Cu	Bar, rod, & wire
SB-221	A91060	1060	8.5	21	...	104	...	99.60Al	Bar, rod, & shapes
SB-221	A91100	1100	11	21	...	104	...	99.0Al-Cu	Bar, rod, & shapes
SB-221	A93003	3003	14	21	...	104	...	Al-Mn-Cu	Bar, rod, & shapes
SB-221	A95083	5083	39	25	...	105	...	Al-4.4Mg-Mn	Bar, rod, & shapes
SB-221	A95154	5154	30	22	...	105	...	Al-3.5Mg	Bar, rod, & shapes
SB-221	A95454	5454	31	22	...	105	...	Al-2.7Mg-Mn	Bar, rod, & shapes
SB-221	A95456	5456	41	25	...	105	...	Al-5.1Mg-Mn	Bar, rod, & shapes
SB-221	A96061	6061	24	23	...	105	...	Al-Mg-Si-Cu	Bar, rod, & shapes
SB-221	A96063	6063	17	23	...	105	...	Al-Mg-Si	Bar, rod, & shapes
SB-234	A91060	1060	8.5	21	...	104	...	99.60Al	Smls. tube
SB-234	...	Alclad 3003	13	21	...	104	...	Al-Mn-Cu	Smls. tube
SB-234	A93003	3003	14	21	...	104	...	Al-Mn-Cu	Smls. tube
SB-234	A95052	5052	25	22	...	105	...	Al-2.5Mg	Smls. tube
SB-234	A95454	5454	31	22	...	105	...	Al-2.7Mg-Mn	Smls. tube
SB-234	A96061	6061	24	23	...	105	...	Al-Mg-Si-Cu	Smls. tube
SB-241	A91060	1060	8.5	21	...	104	...	99.60Al	Smls. pipe & tube
SB-241	A91100	1100	11	21	...	104	...	99.0Al-Cu	Smls. pipe & tube
SB-241	...	Alclad 3003	13	21	...	104	...	Al-Mn-Cu	Smls. pipe & tube
SB-241	A93003	3003	14	21	...	104	...	Al-Mn-Cu	Pipe & tube
SB-241	A95052	5052	25	22	...	105	...	Al-2.5Mg	Smls. pipe & tube
SB-241	A95083	5083	39	25	...	105	...	Al-4.4Mg-Mn	Smls. pipe & tube

QW/QB-422 NONFERROUS P-NUMBERS AND S-NUMBERS
(Grouping of Base Metals for Qualification)

GENERAL NOTE: To convert from ksi to MPa, multiply tensile strength in table by 6.9.

Spec. No.	UNS No.	Alloy, Type, or Grade	Minimum Specified Tensile, ksi	Welding		Brazing		Nominal Composition	Product Form
				P- No.	S- No.	P- No.	S- No.		
SB-241	A95086	5086	35	25	...	105	...	Al-4.0Mg-Mn	Smls. pipe & tube
SB-241	A95454	5454	31	22	...	105	...	Al-2.7Mg-Mn	Smls. pipe & tube
SB-241	A95456	5456	41	25	...	105	...	Al-5.1Mg-Mn	Smls. pipe & tube
SB-241	A96061	6061	24	23	...	105	...	Al-Mg-Si-Cu	Smls. pipe & tube
SB-241	A96063	6063	17	23	...	105	...	Al-Mg-Si	Smls. pipe & tube
SB-247	A93003	3003	14	21	...	104	...	Al-Mn-Cu	Forgings
SB-247	A95083	5083	38	25	...	105	...	Al-4.4Mg-Mn	Forgings
SB-247	A96061	6061	24	23	...	105	...	Al-Mg-Si-Cu	Forgings
SB-265	R50250	1	35	51	...	115	...	Ti	Plate, sheet, & strip
SB-265	R50400	2	50	51	...	115	...	Ti	Plate, sheet, & strip
SB-265	R50550	3	65	52	...	115	...	Ti	Plate, sheet, & strip
SB-265	R52400	7	50	51	...	115	...	Ti-Pd	Plate, sheet, & strip
SB-265	R53400	12	70	52	...	115	...	Ti-0.3Mo-0.8Ni	Plate, sheet, & strip
SB-265	R56320	9	90	53	...	115	...	Ti-3Al-2.5V	Plate, sheet, & strip
SB-265	R52402	16	50	51	...	115	...	Ti-Pd	Plate, sheet, & strip
SB-265	R52250	11	35	51	...	115	...	Ti-Pd	Plate, sheet, & strip
SB-265	R52252	17	35	51	Ti-Pd	Plate, sheet, & strip
SB-271	C95200	...	65	35	...	108	...	88Cu-9Al-3Fe	Castings
SB-271	C95400	...	75	35	...	108	...	85Cu-11Al-4Fe	Castings
B 280	C10200	102	30	...	31	...	107	99.95Cu-P	Smls. tube
B 280	C12000	120	30	...	31	...	107	99.9Cu-P	Smls. tube
B 280	C12200	122	30	...	31	...	107	99.9Cu-P	Smls. tube
B 283	C11000	Cu	33	...	31	...	107	99.9Cu	Forgings
B 283	C37700	Forging brass	46	107	60Cu-38Zn-2Pb	Forgings > 1.5 in. (38 mm)
B 283	C37700	Forging brass	50	107	60Cu-38Zn-2Pb	Forgings ≤ 1.5 in. (38 mm)
B 283	C46400	Naval brass	64	...	32	...	107	60Cu-39Zn-Sn	Forgings
B 283	C65500	High Si bronze	52	...	33	...	107	97Cu-3Si	Forgings
B 283	C67500	Mn bronze	72	...	32	...	107	59Cu-39Zn-Fe-Sn	Forgings
B 302	C12000	...	36	...	31	...	107	99.9Cu-P	Pipe
B 302	C12200	...	36	...	31	...	107	99.9Cu-P	Pipe

QW/QB-422 NONFERROUS P-NUMBERS AND S-NUMBERS
(Grouping of Base Metals for Qualification)

GENERAL NOTE: To convert from ksi to MPa, multiply tensile strength in table by 6.9.

Spec. No.	UNS No.	Alloy, Type, or Grade	Minimum Specified Tensile, ksi	Welding		Brazing		Nominal Composition	Product Form
				P-No.	S-No.	P-No.	S-No.		
SB-308	A96061	6061	24	23	...	105	...	Al-Mg-Si-Cu	Shapes
SB-315	C65500	...	50	33	...	107	...	97Cu-3Si	Pipe & tube
SB-333	N10001	...	100	44	...	112	...	62Ni-28Mo-5Fe	Plate, sheet, & strip $\geq 0.1875-2.5$ in. (4.8-64 mm), incl.
SB-333	N10001	...	115	44	...	112	...	62Ni-28Mo-5Fe	Plate, sheet, & strip < 0.1875 in. (48 mm)
SB-333	N10629	...	110	44	66Ni-28Mo-3Fe-1.3Cr-0.25Al	Plate, sheet, & strip
SB-333	N10665	...	110	44	...	112	...	65Ni-28Mo-2Fe	Plate, sheet, & strip
SB-333	N10675	...	110	44	...	112	...	65Ni-29.5Mo-2Cr-2Fe-Mn-W	Plate, sheet, & strip
SB-335	N10001	...	100	44	...	112	...	62Ni-28Mo-5Fe	Rod $> 1.5-3.5$ in. (38-89 mm), incl.
SB-335	N10001	...	115	44	...	112	...	62Ni-28Mo-5Fe	Rod $\geq 0.3125-1.5$ in. (8-38 mm), incl.
SB-335	N10629	...	110	44	66Ni-28Mo-3Fe-1.3Cr-0.25Al	Rod
SB-335	N10665	...	110	44	...	112	...	65Ni-28Mo-2Fe	Rod
SB-335	N10675	...	110	44	...	112	...	65Ni-29.5Mo-2Cr-2Fe-Mn-W	Rod
SB-338	R50250	1	35	51	...	115	...	Ti	Smis. & welded tube
SB-338	R50400	2	50	51	...	115	...	Ti	Smis. & welded tube
SB-338	R50550	3	65	52	...	115	...	Ti	Smis. & welded tube
SB-338	R52400	7	50	51	...	115	...	Ti-Pd	Smis. & welded tube
SB-338	R52402	16	50	51	...	115	...	Ti-Pd	Smis. & welded tube
SB-338	R53400	12	70	52	...	115	...	Ti-0.3Mo-0.8Ni	Smis. & welded tube
SB-338	R56320	9	90	53	...	115	...	Ti-3Al-2.5V	Smis. & welded tube
B 345	A91060	1060	8.5	...	21	...	104	99.60Al	Smis. pipe & tube
B 345	A93003	3003	14	...	21	...	104	Al-Mn-Cu	Smis. pipe & tube
B 345	A95083	5083	39	...	25	...	105	Al-4.4Mg-Mn	Smis. pipe & tube
B 345	A95086	5086	37	...	25	...	105	Al-4.0Mg-Mn	Smis. pipe & tube
B 345	A96061	6061	24	...	23	...	105	Al-Mg-Si-Cu	Smis. pipe & tube
B 345	A96063	6063	17	...	23	...	105	Al-Mg-Si	Smis. pipe & tube
SB-348	R50250	1	35	51	...	115	...	Ti	Bars & billets
SB-348	R50400	2	50	51	...	115	...	Ti	Bars & billets
SB-348	R50550	3	65	52	...	115	...	Ti	Bars & billets
SB-348	R52400	7	50	51	...	115	...	Ti-Pd	Bars & billets
SB-348	R53400	12	70	52	...	115	...	Ti-0.3Mo-0.8Ni	Bars & billets

QW/QB-422 NONFERROUS P-NUMBERS AND S-NUMBERS
(Grouping of Base Metals for Qualification)

GENERAL NOTE: To convert from ksi to MPa, multiply tensile strength in table by 6.9.

Spec. No.	UNS No.	Alloy, Type, or Grade	Minimum Specified Tensile, ksi	Welding		Brazing		Nominal Composition	Product Form
				P- No.	S- No.	P- No.	S- No.		
SB-348	R52402	16	50	51	Ti-Pd	Bars & billets
SB-348	R56320	9	90	53	...	115	...	Ti-3Al-2.5V	Bars & billets
A 351	N08603	HT30	65	...	45	...	111	35Ni-15Cr-0.5Mo	Castings
SA-351	J94651	CN3MN	80	45	...	111	...	46Fe-24Ni-21Cr-6Mo-Cu-N	Castings
SA-351	N08007	CN7M	62	45	...	111	...	28Ni-19Cr-Cu-Mo	Castings
SA-351	N08151	CT15C	63	45	...	111	...	32Ni-45Fe-20Cr-Cb	Castings
SB-359	C10200	...	30	31	...	107	...	99.95Cu-P	Smls. tube
SB-359	C12000	...	30	31	...	107	...	99.9Cu-P	Smls. tube
SB-359	C12200	...	30	31	...	107	...	99.9Cu-P	Smls. tube
SB-359	C14200	...	30	31	...	107	...	99.4Cu-As-P	Smls. tube
SB-359	C19200	...	38	31	...	107	...	99.7Cu-Fe-P	Smls. tube
SB-359	C23000	...	40	32	...	107	...	85Cu-15Zn	Smls. tube
SB-359	C44300	...	45	32	...	107	...	71Cu-28Zn-1Sn-0.06As	Smls. tube
SB-359	C44400	...	45	32	...	107	...	71Cu-28Zn-1Sn-0.06Sb	Smls. tube
SB-359	C44500	...	45	32	...	107	...	71Cu-28Zn-1Sn-0.06P	Smls. tube
SB-359	C60800	...	50	35	...	108	...	95Cu-5Al	Smls. tube
SB-359	C68700	...	50	32	...	108	...	78Cu-20Zn-2Al	Smls. tube
SB-359	C70400	...	38	34	...	107	...	95Cu-5Ni	Smls. tube
SB-359	C70600	...	40	34	...	107	...	90Cu-10Ni	Smls. tube
SB-359	C71000	...	45	34	...	107	...	80Cu-20Ni	Smls. tube
SB-359	C71500	...	52	34	...	107	...	70Cu-30Ni	Smls. tube
B 361	A91060	WP1060	8	...	21	...	104	99.60Al	Fittings
B 361	A91100	WP1100	11	...	21	...	104	99.0Al-Cu	Fittings
B 361	...	WP Alclad 3003	13	...	21	...	104	Al-Mn-Cu	Fittings
B 361	A93003	WP3003	14	...	21	...	104	Al-Mn-Cu	Fittings
B 361	A95083	5083	39	...	25	...	105	Al-4.4Mg-Mn	Fittings
B 361	A95154	5154	30	...	22	...	105	Al-3.5Mg	Fittings
B 361	A96061	WP6061	24	...	23	...	105	Al-Mg-Si-Cu	Fittings
B 361	A96063	WP6063	17	...	23	...	105	Al-Mg-Si	Fittings
SB-363	R50250	WPT 1	35	51	...	115	...	Ti	Smls. & welded fittings

QW/QB-422 NONFERROUS P-NUMBERS AND S-NUMBERS
(Grouping of Base Metals for Qualification)

GENERAL NOTE: To convert from ksi to MPa, multiply tensile strength in table by 6.9.

Spec. No.	UNS No.	Alloy, Type, or Grade	Minimum Specified Tensile, ksi	Welding		Brazing		Nominal Composition	Product Form
				P-No.	S-No.	P-No.	S-No.		
SB-363	R50400	WPT 2	50	51	...	115	...	Ti	Smls. & welded fittings
SB-363	R50550	WPT 3	65	52	...	115	...	Ti	Smls. & welded fittings
SB-363	R52400	7	50	51	...	115	...	Ti-Pd	Smls. & welded pipe
SB-363	R53400	12	70	52	...	115	...	Ti-0.3Mo-0.8Ni	Smls. & welded pipe
SB-363	R56320	WPT-9	90	53	...	115	...	Ti-3Al-2.5V	Smls. & welded fittings
SB-366	N02200	...	55	41	...	110	...	99Ni	Fittings
SB-366	N02201	...	50	41	...	110	...	99Ni-Low C	Fittings
SB-366	N04400	...	70	42	...	110	...	67Ni-30Cu	Fittings
SB-366	N06002	...	100	43	...	111	...	47Ni-22Cr-18Fe-9Mo	Fittings
SB-366	N06007	...	90	45	...	111	...	47Ni-22Cr-19Fe-6Mo	Fittings
SB-366	N06022	...	100	44	...	112	...	55Ni-21Cr-13.5Mo	Fittings
SB-366	N06030	...	85	45	...	111	...	40Ni-29Cr-15Fe-5Mo	Fittings
SB-366	N06045	...	90	46	...	111	...	46Ni-27Cr-23Fe-2.75Si	Fittings
SB-366	N06059	...	100	44	...	112	...	59Ni-23Cr-16Mo	Fittings
SB-366	N06230	...	110	47	53Ni-22Cr-14W-Co-Fe-Mo	Fittings
SB-366	N06455	...	100	44	...	112	...	61Ni-15Mo-16Cr	Fittings
SB-366	N06600	...	80	43	...	111	...	72Ni-15Cr-8Fe	Fittings
SB-366	N06625	...	110	43	...	111	...	60Ni-22Cr-9Mo-3.5Cb	Fittings
SB-366	N06985	...	90	45	...	111	...	47Ni-22Cr-20Fe-7Mo	Fittings
SB-366	N08020	...	80	45	...	111	...	35Ni-35Fe-20Cr-Cb	Fittings
SB-366	N08031	...	94	45	...	111	...	31Ni-33Fe-27Cr-6.5Mo-Cu-N	Fittings
SB-366	N08330	...	70	46	...	111	...	35Ni-19Cr-1.25Si	Fittings
SB-366	N08800	...	75	45	...	111	...	33Ni-42Fe-21Cr	Fittings
SB-366	N08825	...	85	45	...	111	...	42Ni-21.5Cr-3Mo-2.3Cu	Fittings
SB-366	N08925	...	87	45	...	111	...	25Ni-20Cr-6Mo-Cu-N	Fittings
SB-366	N10001	...	100	44	...	112	...	62Ni-28Mo-5Fe	Fittings
SB-366	N10003	...	100	44	...	112	...	70Ni-16Mo-7Cr-5Fe	Fittings
SB-366	N10276	...	100	44	...	112	...	54Ni-16Mo-15Cr	Fittings
SB-366	N10629	...	110	44	66Ni-28Mo-3Fe-1.3Cr-0.25Al	Fittings
SB-366	N10665	...	110	44	...	112	...	65Ni-28Mo-2Fe	Fittings
SB-366	N10675	...	110	44	...	112	...	65Ni-29.5Mo-2Cr-2Fe-Mn-W	Fittings

QW/QB-422 NONFERROUS P-NUMBERS AND S-NUMBERS
(Grouping of Base Metals for Qualification)

GENERAL NOTE: To convert from ksi to MPa, multiply tensile strength in table by 6.9.

Spec. No.	UNS No.	Alloy, Type, or Grade	Minimum Specified Tensile, ksi	Welding		Brazing		Nominal Composition	Product Form
				P-No.	S-No.	P-No.	S-No.		
SB-366	R20033	...	109	45	33Cr-31Ni-32Fe-1.5Mo-0.6Cu-N	Fittings
B 366	N08926	...	94	...	45	...	111	25Ni-20Cr-6Mo-Cu-N	Fittings
B 366	N12160	...	90	46	37Ni-30Co-28Cr-2.7Si	Fittings
SB-367	R50400	Gr. C-2	50	51	...	115	...	Ti	Castings
SB-367	R50550	Gr. C-3	65	52	...	115	...	Ti	Castings
SB-369	C96200	...	45	34	...	107	...	87.5Cu-10Ni-Fe-Mn	Castings
SB-381	R50250	F-1	35	51	...	115	...	Ti	Forgings
SB-381	R50400	F-2	50	51	...	115	...	Ti	Forgings
SB-381	R50550	F-3	65	52	...	115	...	Ti	Forgings
SB-381	R52400	F-7	50	51	...	115	...	Ti-Pd	Forgings
SB-381	R52402	F-16	50	51	Ti-Pd	Forgings
SB-381	R53400	F-12	70	52	...	115	...	Ti-0.3Mo-0.8Ni	Forgings
SB-381	R56320	F-9	90	53	...	115	...	Ti-3Al-2.5V	Forgings
SB-395	C10200	...	36	31	...	107	...	99.95Cu-P	Smls. tube
SB-395	C12000	...	36	31	...	107	...	99.9Cu-P	Smls. tube
SB-395	C12200	...	36	31	...	107	...	99.9Cu-P	Smls. tube
SB-395	C14200	...	36	31	...	107	...	99.4Cu-As-P	Smls. tube
SB-395	C19200	...	38	31	...	107	...	99.7Cu-Fe-P	Smls. tube
SB-395	C23000	...	40	32	...	107	...	85Cu-15Zn	Smls. tube
SB-395	C44300	...	45	32	...	107	...	71Cu-28Zn-1Sn-0.06As	Smls. tube
SB-395	C44400	...	45	32	...	107	...	71Cu-28Zn-1Sn-0.06Sb	Smls. tube
SB-395	C44500	...	45	32	...	107	...	71Cu-28Zn-1Sn-0.06P	Smls. tube
SB-395	C60800	...	50	35	...	108	...	95Cu-5Al	Smls. tube
SB-395	C68700	...	50	32	...	108	...	78Cu-20Zn-2Al	Smls. tube
SB-395	C70600	...	40	34	...	107	...	90Cu-10Ni	Smls. tube
SB-395	C71000	...	45	34	...	107	...	80Cu-20Ni	Smls. tube
SB-395	C71500	...	52	34	...	107	...	70Cu-30Ni	Smls. tube
SB-407	N08800	...	75	45	...	111	...	33Ni-42Fe-21Cr	Smls. pipe & tube
SB-407	N08810	...	65	45	...	111	...	33Ni-42Fe-21Cr	Smls. pipe & tube
SB-407	N08811	...	65	45	...	111	...	33Ni-42Fe-21Cr-Al-Ti	Smls. pipe & tube

WELDING DATA

QW/QB-422

QW/QB-422 NONFERROUS P-NUMBERS AND S-NUMBERS
(Grouping of Base Metals for Qualification)

QW/QB-422

2001 SECTION IX

GENERAL NOTE: To convert from ksi to MPa, multiply tensile strength in table by 6.9.

Spec. No.	UNS No.	Alloy, Type, or Grade	Minimum Specified Tensile, ksi	Welding		Brazing		Nominal Composition	Product Form
				P-No.	S-No.	P-No.	S-No.		
SB-408	N08800	...	75	45	...	111	...	33Ni-42Fe-21Cr	Rod & bar
SB-408	N08810	...	65	45	...	111	...	33Ni-42Fe-21Cr	Rod & bar
SB-408	N08811	...	65	45	...	111	...	33Ni-42Fe-21Cr-Al-Ti	Rod & bar
SB-409	N08800	...	75	45	...	111	...	33Ni-42Fe-21Cr	Plate, sheet, & strip
SB-409	N08810	...	65	45	...	111	...	33Ni-42Fe-21Cr	Plate, sheet, & strip
SB-409	N08811	...	65	45	...	111	...	33Ni-42Fe-21Cr-Al-Ti	Plate, sheet, & strip
SB-423	N08825	...	75	45	...	111	...	42Ni-21.5Cr-3Mo-2.3Cu	Smls. pipe & tube
SB-424	N08825	...	85	45	...	111	...	42Ni-21.5Cr-3Mo-2.3Cu	Plate, sheet, & strip
SB-425	N08825	...	85	45	...	111	...	42Ni-21.5Cr-3Mo-2.3Cu	Rod & bar
SB-434	N10003	...	100	44	...	112	...	70Ni-16Mo-7Cr-5Fe	Plate, sheet, & strip
SB-435	N06002	...	95	43	...	111	...	47Ni-22Cr-9Mo-18Fe	Plate, sheet, & strip
SB-435	N06230	...	110	47	...	111	...	53Ni-22Cr-14W-Co-Fe-Mo	Plate, sheet, & strip
SB-435	N12160	...	90	46	37Ni-30Co-28Cr-2.7Si	Plate, sheet, & strip
SB-435	R30556	...	100	45	...	111	...	21Ni-30Fe-22Cr-18Co-3Mo-3W	Plate, sheet, & strip
SB-443	N06625	2	100	43	...	111	...	60Ni-22Cr-9Mo-3.5Cb	Plate, sheet, & strip
SB-443	N06625	1	110	43	...	111	...	60Ni-22Cr-9Mo-3.5Cb	Plate, sheet, & strip
SB-444	N06625	1	120	43	...	111	...	60Ni-22Cr-9Mo-3.5Cb	Smls. Pipe & tube
SB-444	N06625	2	100	43	...	111	...	60Ni-22Cr-9Mo-3.5Cb	Smls. Pipe & tube
SB-446	N06625	1	120	43	...	111	...	60Ni-22Cr-9Mo-3.5Cb	Rod & bar
SB-446	N06625	2	100	43	...	111	...	60Ni-22Cr-9Mo-3.5Cb	Rod & bar
SB-462	N08020	...	80	45	...	111	...	35Ni-35Fe-20Cr-Cb	Forgings
SB-462	N08367	...	95	45	...	111	...	46Fe-24Ni-21Cr-6Mo-Cu-N	Forgings
SB-463	N08020	...	80	45	...	111	...	35Ni-35Fe-20Cr-Cb	Plate, sheet, & strip
SB-463	N08024	...	80	45	...	111	...	37Ni-33Fe-23Cr-4Mo	Plate, sheet, & strip
SB-463	N08026	...	80	45	...	111	...	35Ni-30Fe-24Cr-6Mo-3Cu	Plate, sheet, & strip
SB-464	N08020	...	80	45	...	111	...	35Ni-35Fe-20Cr-Cb	Welded pipe
SB-464	N08024	...	80	45	...	111	...	37Ni-33Fe-23Cr-4Mo	Welded pipe

QW/QB-422 NONFERROUS P-NUMBERS AND S-NUMBERS
(Grouping of Base Metals for Qualification)

GENERAL NOTE: To convert from ksi to MPa, multiply tensile strength in table by 6.9.

Spec. No.	UNS No.	Alloy, Type, or Grade	Minimum Specified Tensile, ksi	Welding		Brazing		Nominal Composition	Product Form
				P-No.	S-No.	P-No.	S-No.		
SB-464	N08026	...	80	45	...	111	...	35Ni-30Fe-24Cr-6Mo-3Cu	Welded pipe
SB-466	C70600	...	38	34	...	107	...	90Cu-10Ni	Smls. Pipe & tube
SB-466	C71000	...	45	34	...	107	...	80Cu-20Ni	Smls. Pipe & tube
SB-466	C71500	...	50	34	...	107	...	70Cu-30Ni	Smls. Pipe & tube
SB-467	C70600	...	38	34	...	107	...	90Cu-10Ni	Welded pipe > 4.5 in. (114 mm) O.D.
SB-467	C70600	...	40	34	...	107	...	90Cu-10Ni	Welded pipe ≤ 4.5 in. (114 mm) O.D.
SB-467	C71500	...	45	34	...	107	...	70Cu-30Ni	Welded pipe > 4.5 in. (114 mm) O.D.
SB-467	C71500	...	50	34	...	107	...	70Cu-30Ni	Welded pipe ≤ 4.5 in. (114 mm) O.D.
SB-468	N08020	...	80	45	...	111	...	35Ni-35Fe-20Cr-Cb	Welded tube
SB-468	N08024	...	80	45	...	111	...	37Ni-33Fe-23Cr-4Mo	Welded tube
SB-468	N08026	...	80	45	...	111	...	35Ni-30Fe-24Cr-6Mo-3Cu	Welded tube
SB-473	N08020	...	80	45	...	111	...	35Ni-35Fe-20Cr-Cb	Bar
B 491	A93003	3003	14	...	21	...	104	Al-Mn-Cu	Extruded tubes
SB-493	R60702	R60702	55	61	...	117	...	99.2Zr	Forgings
SB-493	R60705	R60705	70	62	...	117	...	95.5Zr+2.5Cb	Forgings
SA-494	N26022	CX2MW	80	44	59Ni-22Cr-14Mo-4Fe-3W	Castings
SB-505	C95200	...	68	35	...	108	...	88Cu-9Al-3Fe	Castings
SB-511	N08330	...	70	46	...	111	...	35Ni-19Cr-1.25Si	Bars & shapes
SB-514	N08800	...	75	45	...	111	...	33Ni-42Fe-21Cr	Welded pipe
SB-514	N08810	...	65	45	...	111	...	33Ni-42Fe-21Cr	Welded pipe
SB-515	N08800	...	75	45	...	111	...	33Ni-42Fe-21Cr	Welded tube
SB-515	N08810	...	65	45	...	111	...	33Ni-42Fe-21Cr	Welded tube
SB-515	N08811	...	65	45	33Ni-42Fe-21Cr-Al-Ti	Welded tube
SB-516	N06045	...	90	46	46Ni-27Cr-23Fe-2.75Si	Welded tube
SB-516	N06600	...	80	43	...	111	...	72Ni-15Cr-8Fe	Welded tube

WELDING DATA

QW/QB-422

QW/QB-422 NONFERROUS P-NUMBERS AND S-NUMBERS
(Grouping of Base Metals for Qualification)

GENERAL NOTE: To convert from ksi to MPa, multiply tensile strength in table by 6.9.

Spec. No.	UNS No.	Alloy, Type, or Grade	Minimum Specified Tensile, ksi	Welding		Brazing		Nominal Composition	Product Form
				P-No.	S-No.	P-No.	S-No.		
SB-517	N06045	...	90	46	46Ni-27Cr-23Fe-2.75Si	Welded pipe
SB-517	N06600	...	80	43	...	111	...	72Ni-15Cr-8Fe	Welded pipe
SB-523	R60702	R60702	55	61	...	117	...	99.2Zr	Smls. & welded tube
SB-523	R60705	R60705	80	62	...	117	...	95.5Zr+2.5Cb	Smls. & welded tube
SB-535	N08330	...	70	46	...	111	...	35Ni-19Cr-1.25Si	Smls. pipe
SB-536	N08330	...	70	46	...	111	...	35Ni-19Cr-1.25Si	Plate, sheet, & strip
SB-543	C12200	...	30	31	...	107	...	99.9Cu-P	Welded tube
SB-543	C19400	...	45	31	...	107	...	97.5Cu-P	Welded tube
SB-543	C23000	...	40	32	...	107	...	85Cu-15Zn	Welded tube
SB-543	C44300	...	45	32	...	107	...	71Cu-28Zn-1Sn-0.06As	Welded tube
SB-543	C44400	...	45	32	...	107	...	71Cu-28Zn-1Sn-0.06Sb	Welded tube
SB-543	C44500	...	45	32	...	107	...	71Cu-28Zn-1Sn-0.06P	Welded tube
SB-543	C68700	...	50	32	...	108	...	78Cu-20Zn-2Al	Welded tube
SB-543	C70400	...	38	34	...	107	...	95Cu-5Ni	Welded tube
SB-543	C70600	...	40	34	...	107	...	90Cu-10Ni	Welded tube
SB-543	C71500	...	52	34	...	107	...	70Cu-30Ni	Welded tube
SB-543	C71640	...	63	34	...	107	...	66Cu-30Ni-2Fe-2Mn	Welded tube
B 547	...	Alclad 3003	13	...	21	...	104	Al-Mn-Cu	Welded tube
B 547	A93003	3003	14	...	21	...	104	Al-Mn-Cu	Welded tube
B 547	A95083	5083	40	...	25	...	105	Al-4.4Mg-Mn	Welded tube
B 547	A95454	5454	31	...	22	...	105	Al-2.7Mg-Mn	Welded tube
B 547	A96061	6061	24	...	23	...	105	Al-Mg-Si-Cu	Welded tube
SB-550	R60702	R60702	55	61	...	117	...	99.2Zr	Bar & wire
SB-550	R60705	R60705	80	62	...	117	...	95.5Zr+2.5Cb	Bar & wire
SB-551	R60702	R60702	55	61	...	117	...	99.2Zr	Plate, sheet, & strip
SB-551	R60705	R60705	80	62	...	117	...	95.5Zr+2.5Cb	Plate, sheet, & strip
SB-564	N04400	...	70	42	...	110	...	67Ni-30Cu	Forgings
SB-564	N06022	...	100	44	...	112	...	55Ni-21Cr-13.5Mo	Forgings

QW/QB-422 NONFERROUS P-NUMBERS AND S-NUMBERS
(Grouping of Base Metals for Qualification)

GENERAL NOTE: To convert from ksi to MPa, multiply tensile strength in table by 6.9.

Spec. No.	UNS No.	Alloy, Type, or Grade	Minimum Specified Tensile, ksi	Welding		Brazing		Nominal Composition	Product Form
				P-No.	S-No.	P-No.	S-No.		
SB-564	N06045	...	90	46	46Ni-27Cr-23Fe-2.75Si	Forgings
SB-564	N06059	...	100	44	...	111	...	59Ni-23Cr-16Mo	Forgings
SB-564	N06230	...	110	47	53Ni-22Cr-14W-Co-Fe-Mo	Forgings
SB-564	N06600	...	80	43	...	111	...	72Ni-15Cr-8Fe	Forgings
SB-564	N06625	...	110	43	...	111	...	60Ni-22Cr-9Mo-3.5Cb	Forgings > 4-10 in. (102-254 mm), incl.
SB-564	N06625	...	120	43	...	111	...	60Ni-22Cr-9Mo-3.5Cb	Forgings ≤ 4 in. (102 mm)
SB-564	N06690	...	85	43	58Ni-29Cr-9Fe	Forgings
SB-564	N08031	...	94	45	...	111	...	31Ni-31Fe-27Cr-7Mo	Forgings
SB-564	N08800	...	75	45	...	111	...	33Ni-42Fe-21Cr	Forgings
SB-564	N08810	...	65	45	...	111	...	33Ni-42Fe-21Cr	Forgings
SB-564	N08811	...	65	45	33Ni-42Fe-21Cr-Al-Ti	Forgings
SB-564	N08367	...	95	45	...	111	...	46Fe-24Ni-21Cr-6Mo-Cu-N	Forgings
SB-564	N10276	...	100	44	...	112	...	54Ni-16Mo-15Cr	Forgings
SB-564	N10629	...	110	44	66Ni-28Mo-3Fe-1.3Cr-0.25Al	Forgings
SB-564	N10675	...	110	44	...	112	...	65Ni-29.5Mo-2Cr-2Fe-Mn-W	Forgings
SB-564	R20033	...	109	45	33Cr-31Ni-32Fe-1.5Mo-0.6Cu-N	Forgings
SB-564	N12160	...	90	46	37Ni-30Co-28Cr-2.7Si	Forgings
B 564	N02200	...	55	...	41	...	110	99.0Ni	Forgings
SB-572	N06002	...	95	43	...	111	...	47Ni-22Cr-9Mo-18Fe	Rod
SB-572	N06230	...	110	47	...	111	...	53Ni-22Cr-14W-Co-Fe-Mo	Rod
SB-572	N12160	...	90	46	37Ni-30Co-28Cr-2.7Si	Rod
SB-572	R30556	...	100	45	...	111	...	21Ni-30Fe-22Cr-18Co-3Mo-3W	Rod
SB-573	N10003	...	100	44	...	112	...	70Ni-16Mo-7Cr-5Fe	Rod
SB-574	N06022	...	100	44	...	112	...	55Ni-21Cr-13.5Mo	Rod
SB-574	N06059	...	100	44	...	112	...	59Ni-23Cr-16Mo	Rod
SB-574	N06455	...	100	44	...	112	...	61Ni-16Mo-16Cr	Rod
SB-574	N10276	...	100	44	...	112	...	54Ni-16Mo-15Cr	Rod
SB-575	N06022	...	100	44	...	112	...	55Ni-21Cr-13.5Mo	Plate, sheet, & strip
SB-575	N06059	...	100	44	...	112	...	59Ni-23Cr-16Mo	Plate, sheet, & strip
SB-575	N06455	...	100	44	...	112	...	61Ni-16Mo-16Cr	Plate, sheet, & strip
SB-575	N10276	...	100	44	...	112	...	54Ni-16Mo-15Cr	Plate, sheet, & strip

WELDING DATA

QW/QB-422

QW/QB-422 NONFERROUS P-NUMBERS AND S-NUMBERS
(Grouping of Base Metals for Qualification)

GENERAL NOTE: To convert from ksi to MPa, multiply tensile strength in table by 6.9.

Spec. No.	UNS No.	Alloy, Type, or Grade	Minimum Specified Tensile, ksi	Welding		Brazing		Nominal Composition	Product Form
				P- No.	S- No.	P- No.	S- No.		
SB-581	N06007	...	85	45	...	111	...	47Ni-22Cr-19Fe-6Mo	Rod > 0.75-3.5 in. (19-89 mm), incl.
SB-581	N06007	...	90	45	...	111	...	47Ni-22Cr-19Fe-6Mo	Rod, 0.3125-0.75 in. (8-19 mm), incl.
SB-581	N06030	...	85	45	...	111	...	40Ni-29Cr-15Fe-5Mo	Rod
SB-581	N06975	...	85	45	...	111	...	49Ni-25Cr-18Fe-6Mo	Rod
SB-581	N06985	...	85	45	...	111	...	47Ni-22Cr-20Fe-7Mo	Rod > 0.75-3.5 in. (19-89 mm), incl.
SB-581	N06985	...	90	45	...	111	...	47Ni-22Cr-20Fe-7Mo	Rod, 0.3125-0.75 in. (8-19 mm), incl.
SB-581	N08031	...	94	45	...	111	...	31Ni-33Fe-27Cr-6.5Mo-Cu-N	Rod
SB-582	N06007	...	85	45	...	111	...	47Ni-22Cr-19Fe-6Mo	Plate, sheet, & strip > 0.75-2.5 in. (19-64 mm), incl.
SB-582	N06007	...	90	45	...	111	...	47Ni-22Cr-19Fe-6Mo	Plate, sheet, & strip ≤ 0.75 in. (19 mm)
SB-582	N06030	...	85	45	...	111	...	40Ni-29Cr-15Fe-5Mo	Plate, sheet, & strip
SB-582	N06975	...	85	45	...	111	...	49Ni-25Cr-18Fe-6Mo	Plate, sheet, & strip
SB-582	N06985	...	85	45	...	111	...	47Ni-22Cr-20Fe-7Mo	Plate, sheet, & strip > 0.75-2.5 in. (19-64 mm), incl.
SB-582	N06985	...	90	45	...	111	...	47Ni-22Cr-20Fe-7Mo	Plate, sheet, & strip ≤ 0.75 in. (19 mm)
SB-599	N08700	...	80	45	...	111	...	25Ni-47Fe-21Cr-5Mo	Plate, sheet, & strip
SB-619	N06002	...	100	43	...	111	...	47Ni-22Cr-9Mo-18Fe	Welded pipe
SB-619	N06007	...	90	45	...	111	...	47Ni-22Cr-19Fe-6Mo	Welded pipe
SB-619	N06022	...	100	44	...	112	...	55Ni-21Cr-13.5Mo	Welded pipe
SB-619	N06030	...	85	45	...	111	...	40Ni-29Cr-15Fe-5Mo	Welded pipe
SB-619	N06059	...	100	44	...	112	...	59Ni-23Cr-16Mo	Welded pipe
SB-619	N06230	...	110	47	...	111	...	53Ni-22Cr-14W-Co-Fe-Mo	Welded pipe
SB-619	N06455	...	100	44	...	112	...	61Ni-16Mo-16Cr	Welded pipe
SB-619	N06975	...	85	45	...	111	...	49Ni-25Cr-18Fe-6Mo	Welded pipe
SB-619	N06985	...	90	45	...	111	...	47Ni-22Cr-20Fe-7Mo	Welded pipe
SB-619	N08031	...	94	45	...	111	...	31Ni-33Fe-27Cr-6.5Mo-Cu-N	Welded pipe
SB-619	N08320	...	75	45	...	111	...	26Ni-22Cr-5Mo-Ti	Welded pipe
SB-619	N10001	...	100	44	...	112	...	62Ni-28Mo-5Fe	Welded pipe
SB-619	N10276	...	100	44	...	112	...	54Ni-16Mo-15Cr	Welded pipe
SB-619	N10629	...	110	44	66Ni-28Mo-3Fe-1.3Cr-0.25Al	Welded pipe
SB-619	N10665	...	110	44	...	112	...	65Ni-28Mo-2Fe	Welded pipe

QW/QB-422 NONFERROUS P-NUMBERS AND S-NUMBERS
(Grouping of Base Metals for Qualification)

GENERAL NOTE: To convert from ksi to MPa, multiply tensile strength in table by 6.9.

Spec. No.	UNS No.	Alloy, Type, or Grade	Minimum Specified Tensile, ksi	Welding		Brazing		Nominal Composition	Product Form
				P-No.	S-No.	P-No.	S-No.		
SB-619	N10675	...	110	44	...	112	...	65Ni-29.5Mo-2Cr-2Fe-Mn-W	Welded pipe
SB-619	N12160	...	90	46	37Ni-30Co-28Cr-2.7Si	Welded pipe
SB-619	R20033	...	109	45	33Cr-31Ni-32Fe-1.5Mo-0.6Cu-N	Welded pipe
SB-619	R30556	...	100	45	...	111	...	21Ni-30Fe-22Cr-18Co-3Mo-3W	Welded pipe
SB-620	N08320	...	75	45	...	111	...	26Ni-22Cr-5Mo-Ti	Plate, sheet, & strip
SB-621	N08320	...	75	45	...	111	...	26Ni-22Cr-5Mo-Ti	Rod
SB-622	N06002	...	100	43	...	111	...	47Ni-22Cr-9Mo-18Fe	Smls. pipe & tube
SB-622	N06007	...	90	45	...	111	...	47Ni-22Cr-19Fe-6Mo	Smls. pipe & tube
SB-622	N06022	...	100	44	...	112	...	55Ni-21Cr-13.5Mo	Smls. pipe & tube
SB-622	N06030	...	85	45	...	111	...	40Ni-29Cr-15Fe-5Mo	Smls. pipe & tube
SB-622	N06059	...	100	44	...	112	...	59Ni-23Cr-16Mo	Smls. pipe & tube
SB-622	N06230	...	110	47	...	111	...	53Ni-22Cr-14W-Co-Fe-Mo	Smls. pipe & tube
SB-622	N06455	...	100	44	...	112	...	61Ni-16Mo-16Cr	Smls. pipe & tube
SB-622	N06975	...	85	45	...	111	...	49Ni-25Cr-18Fe-6Mo	Smls. pipe & tube
SB-622	N06985	...	90	45	...	111	...	47Ni-22Cr-20Fe-7Mo	Smls. pipe & tube
SB-622	N08031	...	94	45	...	111	...	31Ni-33Fe-27Cr-6.5Mo-Cu-N	Smls. pipe & tube
SB-622	N08320	...	75	45	...	111	...	26Ni-22Cr-5Mo-Ti	Smls. pipe & tube
SB-622	N10001	...	100	44	...	112	...	62Ni-28Mo-5Fe	Smls. pipe & tube
SB-622	N10276	...	100	44	...	112	...	54Ni-16Mo-15Cr	Smls. pipe & tube
SB-622	N10629	...	110	44	66Ni-28Mo-3Fe-1.3Cr-0.25Al	Smls. pipe & tube
SB-622	N10665	...	110	44	...	112	...	65Ni-28Mo-2Fe	Smls. pipe & tube
SB-622	R20033	...	109	45	33Cr-31Ni-32Fe-1.5Mo-0.6Cu-N	Smls. pipe & tube
SB-622	R30556	...	100	45	...	111	...	21Ni-30Fe-22Cr-18Co-3Mo-3W	Smls. pipe & tube
SB-622	N10675	...	110	44	...	112	...	65Ni-29.5Mo-2Cr-2Fe-Mo-W	Smls. pipe & tube
SB-622	N12160	...	90	46	37Ni-30Co-28Cr-2.7Si	Smls. pipe & tube
B 625	N08926	...	87	...	45	...	111	25Ni-20Cr-6Mo-Co-N	Plate, sheet, & strip
SB-625	N08031	...	94	45	...	111	...	31Ni-33Fe-27Cr-6.5Mo-Cu-N	Plate, sheet, & strip

WELDING DATA

QW/QB-422

QW/QB-422 NONFERROUS P-NUMBERS AND S-NUMBERS
(Grouping of Base Metals for Qualification)

GENERAL NOTE: To convert from ksi to MPa, multiply tensile strength in table by 6.9.

Spec. No.	UNS No.	Alloy, Type, or Grade	Minimum Specified Tensile, ksi	Welding		Brazing		Nominal Composition	Product Form
				P-No.	S-No.	P-No.	S-No.		
SB-625	N08904	...	71	45	...	111	...	44Fe-25Ni-21Cr-Mo	Plate, sheet, & strip
SB-625	N08925	...	87	45	...	111	...	25Ni-20Cr-6Mo-Cu-N	Plate, sheet, & strip
SB-625	R20033	...	109	45	33Cr-31Ni-32Fe-1.5Mo-0.6Cu-N	Plate, sheet, & strip
SB-626	N06002	...	100	43	...	111	...	47Ni-22Cr-9Mo-18Fe	Welded tube
SB-626	N06007	...	90	45	...	111	...	47Ni-22Cr-19Fe-6Mo	Welded tube
SB-626	N06022	...	100	44	...	112	...	55Ni-21Cr-13.5Mo	Welded tube
SB-626	N06030	...	85	45	...	111	...	40Ni-29Cr-15Fe-5Mo	Welded tube
SB-626	N06059	...	100	44	...	112	...	59Ni-23Cr-16Mo	Welded tube
SB-626	N06230	...	110	47	...	111	...	53Ni-22Cr-14W-Co-Fe-Mo	Welded tube
SB-626	N06455	...	100	44	...	112	...	61Ni-16Mo-16Cr	Welded tube
SB-626	N06975	...	85	45	...	111	...	49Ni-25Cr-18Fe-6Mo	Welded tube
SB-626	N06985	...	90	45	...	111	...	47Ni-22Cr-20Fe-7Mo	Welded tube
SB-626	N08031	...	94	45	...	111	...	31Ni-33Fe-27Cr-6.5Mo-Cu-N	Welded tube
SB-626	N08320	...	75	45	...	111	...	26Ni-22Cr-5Mo-Ti	Welded tube
SB-626	N10001	...	100	44	...	112	...	62Ni-28Mo-5Fe	Welded tube
SB-626	N10276	...	100	44	...	112	...	54Ni-16Mo-15Cr	Welded tube
SB-626	N10629	...	110	44	66Ni-28Mo-3Fe-1.3Cr-0.25Al	Welded tube
SB-626	N10665	...	110	44	...	112	...	65Ni-28Mo-2Fe	Welded tube
SB-626	R20033	...	109	45	33Cr-31Ni-32Fe-1.5Mo-0.6Cu-N	Welded tube
SB-626	R30556	...	100	45	...	111	...	21Ni-30Fe-22Cr-18Co-3Mo-3W	Welded tube
SB-626	N10675	...	110	44	...	112	...	65Ni-29.5Mo-2Cr-2Fe-Mn-W	Welded tube
SB-626	N12160	...	90	46	37Ni-30Co-28Cr-2.7Si	Welded tube
B 649	N08926	...	87	...	45	...	111	25Ni-20Cr-6Mo-Cu-N	Bar & wire
SB-649	N08904	...	71	45	...	111	...	44Fe-25Ni-21Cr-Mo	Bar & wire
SB-649	N08925	...	87	45	...	111	...	25Ni-20Cr-6Mo-Cu-N	Bar & wire
SB-649	R20033	...	109	45	33Cr-31Ni-32Fe-1.5Mo-0.6Cu-N	Bar & Wire
SB-658	R60702	R60702	55	61	...	117	...	99.2Zr	Smls. & welded pipe
SB-658	R60705	R60705	80	62	...	117	...	95.5Zr+2.5Cb	Smls. & welded pipe
SB-668	N08028	...	73	45	...	111	...	31Ni-31Fe-29Cr-Mo	Smls. tube
SB-672	N08700	...	80	45	...	111	...	25Ni-47Fe-21Cr-5Mo	Bar & wire

**QW-451.3
FILLET-WELD TESTS**

Type of Joint	Thickness of Test Coupons as Welded, in.	Range Qualified	Type and Number of Tests Required [QW-462.4(a) or QW-462.4(d)] Macro
Fillet	Per QW-462.4(a)	All fillet sizes on all base metal thicknesses and all diameters	5
Fillet	Per QW-462.4(d)		4

GENERAL NOTE: A production assembly mockup may be substituted in accordance with QW-181.1.1. When a production assembly mockup is used, the range qualified shall be limited to the fillet weld size, base metal thickness, and configuration of the mockup. Alternatively, multiple production assembly mockups may be qualified. The range of thickness of the base metal qualified shall be no less than the thickness of the thinner member tested and no greater than the thickness of the thicker member tested. The range for fillet weld sizes qualified shall be limited to no less than the smallest fillet weld tested and no greater than the largest fillet weld tested. The configuration of production assemblies shall be the same as that used in the production assembly mockup.

**QW-451.4
FILLET WELDS QUALIFIED BY GROOVE-WELD TESTS**

Thickness <i>T</i> of Test Coupon (Plate or Pipe) as Welded	Range Qualified	Type and Number of Tests Required
All groove tests	All fillet sizes on all base metal thicknesses and all diameters	Fillet welds are qualified when the groove weld is qualified in accordance with either QW-451.1 or QW-451.2 (see QW-202.2)

A02

QW-452 Performance Qualification Thickness Limits and Test Specimens

QW-452.1 Groove-Weld Transverse-Bend Test.
The following tables identify the required type and number of tests and the thickness of weld metal qualified.

**QW-452.1(a)
TEST SPECIMENS**

Thickness of Weld Metal, in. (mm)	Type and Number of Examinations and Test Specimens Required			
	Visual Examination per QW-302.4	Side Bend QW-462.2 [Note (1)]	Face Bend QW-462.3(a) [Note (1)]	Root Bend QW-462.3(a) [Note (1)]
Less than $\frac{3}{8}$ (10)	X	...	1	1
$\frac{3}{8}$ (10) to less than $\frac{3}{4}$ (19)	X	2 [Note (2)]	Note (2)	Note (2)
$\frac{3}{4}$ (19) and over	X	2

GENERAL NOTE: The "Thickness of Weld Metal" is the total weld metal thickness of all welders and all processes in the test coupon.

NOTES:

- (1) To qualify using positions 5G or 6G, a total of four bend specimens are required. To qualify using a combination of 2G and 5G in a single test coupon, a total of six bend specimens are required. See QW-302.3. The type of bend test shall be based on weld metal thickness.
- (2) One face and root bend may be substituted for the two side bends.

**QW-452.1(b)
THICKNESS OF WELD METAL QUALIFIED**

Thickness, t , of Weld Metal in the Coupon, in. (mm) [Notes (1), (2)]	Thickness of Weld Metal Qualified [Note (3)]
All	$2t$
$\frac{1}{2}$ (13) and over with a minimum of three layers	Maximum to be welded

NOTES:

- (1) When more than one welder and/or more than one process and more than one filler metal F-Number is used to deposit weld metal in a coupon, the thickness, t , of the weld metal in the coupon deposited by each welder with each process and each filler metal F-Number in accordance with the applicable variables under QW-404 shall be determined and used individually in the "Thickness, t , of Weld Metal in the Coupon" column to determine the "Thickness of Weld Metal Qualified."
- (2) Two or more pipe test coupons with different weld metal thickness may be used to determine the weld metal thickness qualified and that thickness may be applied to production welds to the smallest diameter for which the welder is qualified in accordance with QW-452.3.
- (3) Thickness of test coupon of $\frac{3}{4}$ in. (19 mm) or over shall be used for qualifying a combination of three or more welders each of whom may use the same or a different welding process.

ARTICLE V

STANDARD WELDING PROCEDURE SPECIFICATIONS (SWPSs)

QW-500 GENERAL

The SWPSs listed in Appendix E are acceptable for construction in which the requirements of the ASME Boiler and Pressure Vessel Code, Section IX are specified. Any requirements of the applicable Construction Code Section regarding SWPS take precedence over the requirements of Section IX. These SWPSs are not permitted for construction where impact testing of the WPS is required by the Construction Code.

QW-510 ADOPTION OF SWPSs

Prior to use, the manufacturer or contractor that will be responsible for and provide operational control over production welding shall comply with the following for each SWPS that it intends to use, except as noted in QW-520.

(a) Enter the name of the manufacturer or contractor on the SWPS.

(b) An employee of that manufacturer or contractor shall sign and date the SWPS.

(c) The applicable Code Section(s) (Section VIII, B31.1, etc.) and/or any other fabrication document (contract, specification, etc.) that must be followed during welding shall be listed on the SWPS.

(d) The manufacturer or contractor shall weld and test one groove weld test coupon following that SWPS. The following information shall be recorded:

(1) the specification, type, and grade of the base metal welded;

(2) groove design;

(3) initial cleaning method;

(4) presence or absence of backing;

(5) The ASME or AWS specification and AWS classification of electrode or filler metal used and manufacturer's trade name;

(6) size and classification of tungsten electrode for GTAW;

(7) size of consumable electrode or filler metal;

(8) shielding gas and flow rate for GTAW and GMAW;

(9) preheat temperature;

(10) position of the groove weld and, if applicable, the progression;

(11) if more than one process or electrode type is used, the approximate weld metal deposit thickness for each process or electrode type;

(12) maximum interpass temperature;

(13) post weld heat treatment used, including holding time and temperature range;

(14) visual inspection and mechanical testing results;

(15) the results of radiographic examination when permitted as an alternative to mechanical testing by QW-304.

(e) The coupon shall be visually examined in accordance with QW-302.4 and mechanically tested in accordance with QW-302.1 or radiographically examined in accordance with QW-302.2. If visual examination, radiographic examination, or any test specimen fails to meet the required acceptance criteria, the test coupon shall be considered as failed and a new test coupon shall be welded before the organization may use the SWPS.

QW-511 Use of Demonstrated SWPSs

Code Sections or fabrication documents that are required to be referenced by QW-510(c) may be added or deleted from a demonstrated SWPS without further demonstrations.

QW-520 USE OF SWPSs WITHOUT DISCRETE DEMONSTRATION

Once an SWPS has been demonstrated, additional SWPSs that are similar to the SWPS that was demonstrated may be used without further demonstration. Such additional SWPSs shall be compared to the SWPS that was used for the demonstration, and the following limitations shall not be exceeded:

- A02**
- (a) a change in the welding process;
 - (b) a change in the P- or S-Number;
 - (c) a change from the as-welded condition to the heat-treated condition. This limitation also applies for SWPSs that allow use in both conditions (e.g., SWPS B2.1-021 allows production welding with or without heat treatment; if the demonstration was performed without heat treatment, production welding with heat treatment is not permitted). Once heat treatment has been demonstrated for any SWPS, this limitation no longer applies.
 - (d) a change from a gas-shielded flux-cored wire or solid wire to a self-shielded flux-cored wire or vice versa;
 - (e) a change from spray, globular, or pulsed transfer mode to short-circuiting transfer mode or vice-versa;
 - (f) a change in the F-Number of the welding electrode;
 - (g) the addition of preheat above ambient temperature;
 - (h) a change from an SWPS that is identified as for sheet metal to one that is not and vice versa.

QW-530 FORMS

A suggested Form QW-485 for documenting the welding conditions and test results of the demonstration is provided in Nonmandatory Appendix B.

QW-540 PRODUCTION USE OF SWPSs

As with any WPS, welding that is done following an SWPS shall be done in strict accordance with the

SWPS. In addition, the following conditions apply to the use of SWPSs:

(a) The manufacturer or contractor may not deviate from the welding conditions specified on the SWPS.

(b) SWPSs may not be supplemented with PQRs or revised in any manner except for reference to the applicable Code Section or other fabrication documents as provided by QW-511.

(c) Only the welding processes shown on an SWPS shall be used in given production joint. When a multi-process SWPS is selected, the processes shown on the SWPS shall be used in the order and manner specified on the SWPS.

(d) SWPSs shall not be used in the same production joint together with WPSs qualified by the manufacturer or contractor.

(e) The manufacturer or contractor may supplement an SWPS by attaching additional instructions to provide the welder with further direction for making production welds to Code or other requirements. When SWPSs are supplemented with instructions that address any condition shown on the SWPS, such instructions shall be within the limits of the SWPS. For example, when an SWPS permits use of several electrode sizes, supplemental instructions may direct the welder to use only one electrode size out of those permitted by the SWPS; however, the supplemental instructions may not permit the welder to use a size other than one or more of those permitted by the SWPS.

(f) SWPSs may not be used until the demonstration of QW-510 has been satisfactorily welded, tested, and certified.

(g) The identification number of the Supporting Demonstration shall be noted on each SWPS that it supports prior to using the SWPS.

(h) The certified Supporting Demonstration Record shall be available for review by Authorized Inspector.

QB-141.1 Tension Tests. Tension tests, as described in QB-150, are used to determine the ultimate strength of brazed butt, scarf, lap, and rabbit joints.

QB-141.2 Guided-Bend Tests. Guided-bend tests, as described in QB-160, are used to determine the degree of soundness and ductility of butt and scarf joints.

QB-141.3 Peel Tests. Peel tests, as described in QB-170, are used to determine the quality of the bond and the amount of defects in lap joints.

A02 QB-141.4 Sectioning Tests. Sectioning tests, i.e., the sectioning of test coupons, as described in QB-180, are used to determine the soundness of workmanship coupons or test specimens. Sectioning tests are also a substitute for the peel test when the peel test is impractical to perform, e.g., when the strength of brazing filler material is equal to or greater than the strength of the base metals.

QB-141.5 Workmanship Coupons. Workmanship coupons, as described in QB-182, are used to determine the soundness of joints other than the standard butt, scarf, lap, and rabbit joints.

QB-141.6 Visual Examination. Visual examination of brazed joints is used for estimating the soundness by external appearance, such as continuity of the brazing filler metal, size, contour, and wetting of fillet along the joint and, where appropriate, to determine if filler metal flowed through the joint from the side of application to the opposite side.

QB-150 TENSION TESTS

QB-151 Specimens

Tension test specimens shall conform to one of the types illustrated in QB-462.1(a) through QB-462.1(f), and shall meet the requirements of QB-153.

QB-151.1 Reduced Section — Plate. Reduced-section specimens conforming to the requirements given in QB-462.1(a) and QB-462.1(c) may be used for tension tests on all thicknesses of plate. The specimens may be tested in a support fixture in substantial accordance with QB-462.1(f).

(a) For thicknesses up to and including 1 in. (25 mm), a full thickness specimen shall be used for each required tension test.

(b) For plate thicknesses greater than 1 in. (25 mm), full thickness specimens or multiple specimens may

be used, provided QB-151.1(c) and QB-151.1(d) are complied with.

(c) When multiple specimens are used in lieu of full thickness specimens, each set shall represent a single tension test of the full plate thickness. Collectively, all of the specimens required to represent the full thickness of the brazed joint at one location shall comprise a set.

(d) When multiple specimens are necessary, the entire thickness shall be mechanically cut into a minimum number of approximately equal strips of a size that can be tested in the available equipment. Each specimen of the set shall be tested and meet the requirements of QB-153.

QB-151.2 Reduced Section — Pipe. Reduced-section specimens conforming to the requirements given in QB-462.1(b) may be used for tension tests on all thicknesses of pipe or tube having an outside diameter greater than 3 in. (76 mm). The specimens may be tested in a support fixture in substantial accordance with QB-462.1(f).

(a) For thicknesses up to and including 1 in. (25 mm), a full thickness specimen shall be used for each required tension test.

(b) For pipe thicknesses greater than 1 in. (25 mm), full thickness specimens or multiple specimens may be used, provided QB-151.2(c) and QB-151.2(d) are complied with.

(c) When multiple specimens are used in lieu of full thickness specimens, each set shall represent a single tension test of the full pipe thickness. Collectively, all of the specimens required to represent the full thickness of the brazed joint at one location shall comprise a set.

(d) When multiple specimens are necessary, the entire thickness shall be mechanically cut into a minimum number of approximately equal strips of a size that can be tested in the available equipment. Each specimen of the set shall be tested and meet the requirements of QB-153.

QB-151.3 Full-Section Specimens for Pipe. Tension specimens conforming to the dimensions given in QB-462.1(e) may be used for testing pipe with an outside diameter of 3 in. (76 mm) or less.

QB-152 Tension Test Procedure

The tension test specimen shall be ruptured under tensile load. The tensile strength shall be computed by dividing the ultimate total load by the least cross-sectional area of the specimen as measured before the load is applied.

QB-153 Acceptance Criteria — Tension Tests

01 **QB-153.1 Tensile Strength.** Minimum values for procedure qualification are provided under the column heading "Minimum Specified Tensile, ksi" of QW/QB-422. In order to pass the tension test, the specimen shall have a tensile strength that is not less than:

(a) the specified minimum tensile strength of the base metal in the annealed condition; or

(b) the specified minimum tensile strength of the weaker of the two in the annealed condition, if base metals of different specified minimum tensile strengths are used; or

(c) if the specimen breaks in the base metal outside of the braze, the test shall be accepted as meeting the requirements, provided the strength is not more than 5% below the minimum specified tensile strength of the base metal in the annealed condition.

(d) the specified minimum tensile strength is for full thickness specimens including cladding for Aluminum Alclad materials (P-No. 104 and P-No. 105) 0.499 in. (12.5 mm) and less. For Aluminum Alclad materials 0.5 in. (13 mm) and greater, the specified minimum tensile strength is for both full thickness specimens that include cladding and specimens taken from the core.

QB-160 GUIDED-BEND TESTS**QB-161 Specimens**

Guided-bend test specimens shall be prepared by cutting the test plate or pipe to form specimens of approximately rectangular cross section. The cut surfaces shall be designated the sides of the specimen. The other two surfaces shall be designated the first and second surfaces. The specimen thickness and bend radius are shown in QB-466.1, QB-466.2, and QB-466.3. Guided-bend specimens are of five types, depending on whether the axis of the joint is transverse or parallel to the longitudinal axis of the specimen, and which surface (first or second) is on the convex (outer) side of the bent specimen. The five types are defined as follows.

QB-161.1 Transverse First Surface Bend. The joint is transverse to the longitudinal axis of the specimen, which is bent so that the first surface becomes the convex surface of the bent specimen. In general, the *first surface* is defined as that surface from which the brazing filler metal is applied and is fed by capillary attraction into the joint. Transverse first surface bend specimens shall conform to the dimensions shown in

QB-462.2(a). For subsize first surface bends, see QB-161.3.

QB-161.2 Transverse Second Surface Bend. The joint is transverse to the longitudinal axis of the specimen, which is bent so that the second surface becomes the convex surface of the bent specimen. In general, the *second surface* is defined as the surface opposite to that from which the brazing filler metal is placed or fed, but definitely is the surface opposite to that designated as the first surface, irrespective of how the brazing filler metal is fed. Transverse second surface bend specimens shall conform to the dimensions shown in QB-462.2(a). For subsize first surface bends, see QB-161.3.

QB-161.3 Subsize Transverse Bend. In those cases where the wall thickness of the tube or pipe is less than $\frac{3}{8}$ in. (10 mm) and the diameter-to-thickness ratio does not permit the preparation of full-size rectangular guided-bend specimens, the $1\frac{1}{2}$ in. (38 mm) wide standard guided-bend specimen shown in QB-462.2(a) may be replaced by three subsize specimens having a width of $\frac{3}{8}$ in. (10 mm) or $4t$, whichever is less.

QB-161.4 Longitudinal-Bend Tests. Longitudinal-bend tests may be used in lieu of the transverse-bend tests for testing braze metal or base metal combinations, which differ markedly in bending properties between

(a) the two base metals; or

(b) the braze metal and the base metal.

QB-161.5 Longitudinal First Surface Bend. The joint is parallel to the longitudinal axis of the specimen, which is bent so that the first surface becomes the convex surface of the bent specimen. The definition of first surface is as given in QB-161.1. Longitudinal first surface bend specimens shall conform to the dimensions given in QB-462.2(b).

QB-161.6 Longitudinal Second Surface Bend. The joint is parallel to the longitudinal axis of the specimen, which is bent so that the second surface becomes the convex surface of the specimen. The definition of the second surface is given in QB-161.2. Longitudinal second surface bend specimens shall conform to the dimensions given in QB-462.2(b).

QB-162 Guided-Bend Test Procedure

QB-162.1 Jigs. Guided-bend specimens shall be bent in test jigs that are in substantial accordance with QB-466. When using the jigs in accordance with QB-466.1 or QB-466.2, the side of the specimen turned toward the gap of the jig shall be the first surface for first

ARTICLE XIII

BRAZING PERFORMANCE QUALIFICATIONS

QB-300 GENERAL

QB-300.1 This Article lists the brazing processes separately, with the essential variables which apply to brazer and brazing operator performance qualifications.

The brazer qualification is limited by the essential variables given for each brazing process. These variables are listed in QB-350, and are defined in Article XIV, Brazing Data. The brazing operator qualification is limited by the essential variables given in QB-350 for each brazing process.

A02 QB-300.2

(a) The basic premises of responsibility in regard to brazing are contained within QB-103 and QB-301.2. These paragraphs require that each manufacturer or contractor shall be responsible for conducting tests to qualify the performance of brazers and brazing operators in accordance with one of his qualified Brazing Procedure Specifications, which his organization employs in the construction of brazements built in accordance with the Code. The purpose of this requirement is to ensure that the manufacturer or contractor has determined that his brazers and brazing operators using his procedures are capable of developing the minimum requirements specified for an acceptable brazement. This responsibility cannot be delegated to another organization.

(b) The brazers or brazing operators used to produce such brazements shall be tested under the full supervision and control of the manufacturer or contractor during the production of these test brazements. It is not permissible for the manufacturer or contractor to have the brazing performed by another organization. It is permissible, however, to subcontract any or all of the work of preparation of test materials for brazing, subsequent work on the preparation of test specimens from the completed brazement, and performance of nondestructive examination and mechanical tests, provided the manufacturer or contractor accepts full responsibility for any such work.

(c) The Code recognizes a manufacturer or contractor as the organization which has responsible operational control of the production of the brazement to be made

in accordance with this Code. If in an organization effective operational control of the brazer performance qualification for two or more companies of different names exists, the companies involved must establish, to the satisfaction of the ASME Boiler and Pressure Vessel Committee, that the necessary controls are applied, in which case requalification of brazers and brazing operators within the companies of such an organization will not be required, provided all other requirements of Section IX are met.

(d) The Code recognizes that manufacturers or contractors may maintain effective operational control of Brazer/Brazing Operator Performance Qualification (BPQ) records under different ownership than existed during the original Brazer or Brazing Operator qualification. When a manufacturer or contractor or part of a manufacturer or contractor is acquired by a new owner(s), the BPQs may be used by the new owner(s) without requalification, provided all of the following are met:

(1) the new owner(s) takes responsibility for the BPQs;

(2) the BPQs reflect the name of the new owner(s);

(3) the Quality Control System/Quality Assurance Program reflects the source of the BPQs as being from the former manufacturer or contractor.

QB-300.3 More than one manufacturer or contractor may simultaneously qualify one or more brazers or brazing operators. When simultaneous qualifications are conducted, each participating organization shall be represented by a responsible employee during brazing of the test coupons.

The brazing procedure specifications (BPS) which are followed during simultaneous qualifications shall be compared by the participating organizations. The qualified thickness ranges for base metal and deposited braze metal need not be identical, but these thicknesses shall be adequate to permit brazing of the test coupons. Alternatively, the participating organizations shall agree upon the use of a single BPS provided each participating organization has a PQR(s) to support the BPS covering

the range of variables to be followed in the performance qualification. When a single BPS is to be followed, each participating organization shall review and accept that BPS.

Each participating organization's representative shall positively identify each brazer or brazing operator who is being tested. Each organizational representative shall also verify marking of the test coupon with the brazer's or brazing operator's identification, and marking of the

top of the test coupon when the orientation must be known in order to remove test specimens.

Each organizational representative shall complete and sign a Record of Brazer or Brazing Operator Qualification (Form QB-484 or equivalent) for each brazer or brazing operator.

When a brazer or brazing operator changes employers, that new participating organization shall verify that the

brazier's continuity of qualifications has been maintained as required by QB-322 by previous employers since his qualification date. If the brazer or brazing operator has had his qualification withdrawn for specific reasons, the employing organization shall notify all participating organizations that the brazer's or brazing operator's qualification(s) has been revoked in accordance with QB-322(b). The new organization shall determine that the brazer or brazing operator can perform satisfactory work in accordance with this Section.

When a brazer's or brazing operator's qualifications are renewed in accordance with the provisions of QB-322, each renewing organization shall be represented by a responsible employee and the testing procedures shall follow the rules of this paragraph.

QB-301 Tests

QB-301.1 Intent of Tests. The performance qualification tests are intended to determine the ability of brazers and brazing operators to make sound braze joints.

QB-301.2 Qualification Tests. Each manufacturer or contractor shall qualify each brazer or brazing operator for each brazing process to be used in production brazing. The performance qualification test shall be brazed in accordance with one of any of his qualified Brazing Procedure Specifications (BPS).

The brazer or brazing operator who prepares the BPS qualification test coupons is also qualified within the limits of the performance qualifications, listed in QB-304 for brazers and in QB-305 for brazing operators. He is qualified only for the positions tested in the procedure qualification in accordance with QB-407.

The performance test may be terminated at any stage of the testing procedure, whenever it becomes apparent to the supervisor conducting the tests that the brazer or brazing operator does not have the required skill to produce satisfactory results.

QB-301.3 Identification of Brazers and Brazing Operators. Each qualified brazer and brazing operator shall be assigned an identifying number, letter, or symbol by the manufacturer or contractor, which shall be used to identify the work of that brazer or brazing operator.

QB-301.4 Record of Tests. The record of Brazer or Brazing Operator Performance Qualification (BPO) tests shall include the essential variables (QB-350), the type of tests and the test results, and the ranges qualified in accordance with QB-452 for each brazer and brazing

operator. A suggested form for these records is given in Form QB-484 (see Nonmandatory Appendix B).

QB-302 Type of Test Required

QB-302.1 Test Specimens. The type and number of test specimens required shall be in accordance with QB-452, and shall be removed in a manner similar to that shown in QB-463.

All test specimens shall meet the requirements prescribed in QB-170 or QB-180, as applicable. Tests for brazing operators shall meet the requirements of QB-305.

QB-302.2 Test Coupons in Pipe. For test coupons made in pipe, specimens shall be removed as shown in QB-463.2(c) at approximately 180 deg apart.

QB-302.3 Combination of Base Metal Thicknesses. When joints are brazed between two base metals of different thicknesses, a performance qualification shall be made for the applicable combination of thicknesses, even though qualification tests have been made for each of the individual base metals brazed to itself. The range of thickness of each of the base metals shall be determined individually per QB-452.

QB-303 Limits of Qualified Positions (See QB-461)

QB-303.1 For plate, qualification in the flat-flow, vertical-upflow, or horizontal-flow positions shall qualify for the vertical-downflow position.

QB-303.2 For pipe, qualification in either the horizontal-flow or vertical-upflow position shall qualify for the vertical-downflow position.

QB-303.3 Qualification in pipe shall qualify for plate, but not vice versa. Horizontal-flow in pipe shall qualify for flat-flow in plate.

QB-303.4 Special Positions. A fabricator who does production brazing in a special orientation may make the tests for performance qualification in this specific orientation. Such qualifications are valid only for the flow positions actually tested, except that an angular deviation of ± 15 deg is permitted in the inclination of the braze plane, as defined in QB-461.

QB-304 Brazers

Each brazer who brazes under the rules of this Code shall have passed the tests prescribed in QB-302 for performance qualifications.

<u>Subject</u>	<u>Interpretation</u>	<u>File No.</u>	<u>Page No.</u>
Performance Qualification (Cont'd)			
	IX-89-64	BC90-297	225
	IX-89-83	BC90-532	243
	IX-89-95	BC90-869	250
	IX-89-96	BC90-872	250
	IX-92-36	BC91-616	282
	IX-92-35	BC91-277	281
	IX-92-32	BC91-631	280
	IX-92-51	BC92-276	294
	IX-92-59	BC92-206	303
	IX-95-23	BC95-428	353
	IX-95-28	BC96-002	360
	IX-98-05	BC98-009	389
	IX-98-17	BC98-055	403
type of tests required	IX-92-17	BC91-315	268
	IX-92-23	BC90-494	270
using radiography	IX-83-19	BC82-440	14
	IX-83-52	BC83-001	34
	IX-83-57	BC83-079	36
	IX-83-91	BC83-528	56
	IX-83-142	BC84-548	89
	IX-83-173	BC85-013	106
	IX-83-174	BC84-557	107
	IX-86-34	BC86-265	138
	IX-86-79	BC87-140	167
	IX-86-85	BC87-492	174
	IX-89-21	BC89-031	195
ultrasonic examination	IX-95-35	BC96-287	368
visual examination	IX-92-71	BC93-365	312
	IX-95-17	BC95-035	351
	IX-01-03	BC00-519	420
visual inspection	IX-89-50	BC90-035	218
welder/operator	IX-89-48	BC89-360	217
	IX-89-51	BC90-038	219
	IX-89-57	BC90-040	221
	IX-89-63	BC90-254	224
	IX-89-108	BC91-157	256
	IX-95-39	BC96-331	375
	IX-98-11	BC98-133	395
	IX-98-14	BC98-447	397
welder/operator identification	IX-83-138	NI84-058	88
welding of joint by more than one welder	IX-89-06	BC88-169	183
when welding PQR coupon	IX-83-31	BC82-395	19
	IX-86-90	BC88-091	176
	IX-89-48	BC89-360	217
with a tube end gun	IX-83-67	BC83-123	41
with/without backing	IX-83-168	BC85-059	104
	IX-86-23	BC85-553	127
plasma arc welding	IX-89-40	BC89-362	214
P-Numbers			
chemical analysis/mechanical properties of	IX-86-88	BC88-041	176
classification of	IX-83-156	BC84-697	98
	IX-92-08	BC91-257	265
	IX-95-05	BC94-365	336
welding of non-pressure retaining attachments	IX-89-05	BC88-168	183
Positions, Brazing			
qualification of flow positions	IX-86-02	BC85-292	113
Positions, Welding			
fillet welds in vertical-up progression	IX-83-82	BC83-303	52
listing on the WPS.	IX-83-44	BC82-830	29

tions defined in QB-461 under the conditions of QB-120 through QB-124.

(c) If the brazing filler metal is preplaced in a joint so that there is no major flow, then the joint may be brazed in any position without requalification.

QB-408 Joint Design

QB-408.1 A change in the joint type, i.e., from a butt to a lap or socket, from that qualified. For lap or socket joints, an increase in lap length of more than 25% from the overlap used on the brazer performance qualification test coupon.

QB-408.2 A change in the joint clearances to a value outside the range specified in the BPS and as recorded in the PQR.

QB-408.3 A change in the joint clearances to a value outside the range specified in the BPS.

QB-408.4 A change in the joint type, e.g., from a butt to a lap or socket, from that qualified. For lap and socket joints, a decrease in overlap length from that qualified.

QB-409 Postbrazing Heat Treatment

QB-409.1 A separate procedure qualification is required for each of the following conditions.

(a) For P-No. 101 and P-No. 102 materials, the following postbrazing heat treatment conditions apply:

- (1) no postbrazing heat treatment;
- (2) postbrazing heat treatment below the lower transformation temperature;
- (3) postbrazing heat treatment above the upper transformation temperature (e.g., normalizing);
- (4) postbrazing heat treatment above the upper transformation temperature followed by heat treatment below

the lower transformation temperature (e.g., normalizing or quenching followed by tempering);

(5) postbrazing heat treatment between the upper and lower transformation temperatures.

(b) For all other materials, the following post weld heat treatment conditions apply:

- (1) no postbrazing heat treatment;
- (2) postbrazing heat treatment within a specified temperature range.

QB-409.2 A change in the postbrazing heat treatment (see QB-409.1) temperature and time range requires a PQR.

The procedure qualification test shall be subjected to postbrazing heat treatment essentially equivalent to that encountered in the fabrication of production brazements, including at least 80% of the aggregate time at temperature(s). The postbrazing heat treatment total time(s) at temperature(s) may be applied in one heating cycle.

QB-409.3 For a procedure qualification test coupon receiving a postbrazing heat treatment in which the upper transformation temperature is exceeded, the maximum qualified thickness for production brazements is 1.1 times the thickness of the test coupon.

QB-410 Technique

QB-410.1 A change in the method of preparing the base metal, i.e., method of precleaning the joints (for example, from chemical cleaning to cleaning by abrasive or mechanical means).

QB-410.2 A change in the method of postbrazing cleaning (for example, from chemical cleaning to cleaning by wire brushing or wiping with a wet rag).

QB-410.3 A change in the nature of the flame (for example, a change from neutral or slightly reducing).

QB-410.4 A change in the brazing tip sizes.

QB-410.5 A change from manual to mechanical torch brazing and vice versa.

QB-450 SPECIMENS

QB-451 Procedure Qualification Specimens

QB-451.1
TENSION TESTS AND TRANSVERSE-BEND TESTS — BUTT AND SCARF JOINTS

Thickness <i>T</i> of Test Coupon as Brazed, in. (mm)	Range of Thickness of Materials Qualified by Test Plate or Pipe, in. (mm)		Type and Number of Test Specimens Required		
	Min.	Max.	Tension, QB-462.1	First Surface	Second Surface
				Bend, QB-462.2(a)	Bend, QB-462.2(a)
Less than $\frac{1}{8}$ (3.2)	0.5 <i>T</i>	2 <i>T</i>	2	2	2
$\frac{1}{8}$ to $\frac{3}{8}$ (3.2 to 10), incl.	$\frac{1}{16}$ (1.6)	2 <i>T</i>	2	2	2
Over $\frac{3}{8}$ (10)	$\frac{3}{16}$ (4.8)	2 <i>T</i>	2 [Note (1)]	2	2

NOTE:

(1) See QB-151 for details on multiple specimens when coupon thicknesses are over 1 in. (25 mm).

QB-451.2
TENSION TESTS AND LONGITUDINAL BEND TESTS — BUTT AND SCARF JOINTS

Thickness <i>T</i> of Test Coupon as Brazed, in. (mm)	Range of Thickness of Materials Qualified by Test Plate or Pipe, in. (mm)		Type and Number of Test Specimens Required		
	Min.	Max.	Tension, QB-462.1	First Surface	Second
				Bend, QB-462.2(b)	Surface Bend, QB-462.2(b)
Less than $\frac{1}{8}$ (3.2)	0.5 <i>T</i>	2 <i>T</i>	2	2	2
$\frac{1}{8}$ to $\frac{3}{8}$ (3.2 to 10), incl.	$\frac{1}{16}$ (1.6)	2 <i>T</i>	2	2	2
Over $\frac{3}{8}$ (10)	$\frac{3}{16}$ (4.8)	2 <i>T</i>	2 [Note (1)]	2	2

NOTE:

(1) See QB-151 for details on multiple specimens when coupon thicknesses are over 1 in. (25 mm).

QB-451.3
TENSION TESTS AND PEEL TESTS — LAP JOINTS

Thickness <i>T</i> of Test Coupon as Brazed, in. (mm)	Range of Thickness of Materials Qualified by Test Plate or Pipe, in. (mm)		Type and Number of Test Specimens Required	
	Min.	Max.	Tension, QB-462.1	Peel
				QB-462.3 [Notes (1) and (2)]
Less than $\frac{1}{8}$ (3.2)	0.5 <i>T</i>	2 <i>T</i>	2	2
$\frac{1}{8}$ to $\frac{3}{8}$ (3.2 to 10), incl.	$\frac{1}{16}$ (1.6)	2 <i>T</i>	2	2
Over $\frac{3}{8}$ (10)	$\frac{3}{16}$ (4.8)	2 <i>T</i>	2	2

NOTES:

(1) Sectioning tests may be substituted for peel tests. The specimens shall be sectioned as shown in QB-462.4.

(2) The overlap length must be equal to or greater than the overlap length of the Tension Test specimen.

QB-451.4
TENSION TESTS AND SECTION TESTS — RABBET JOINTS

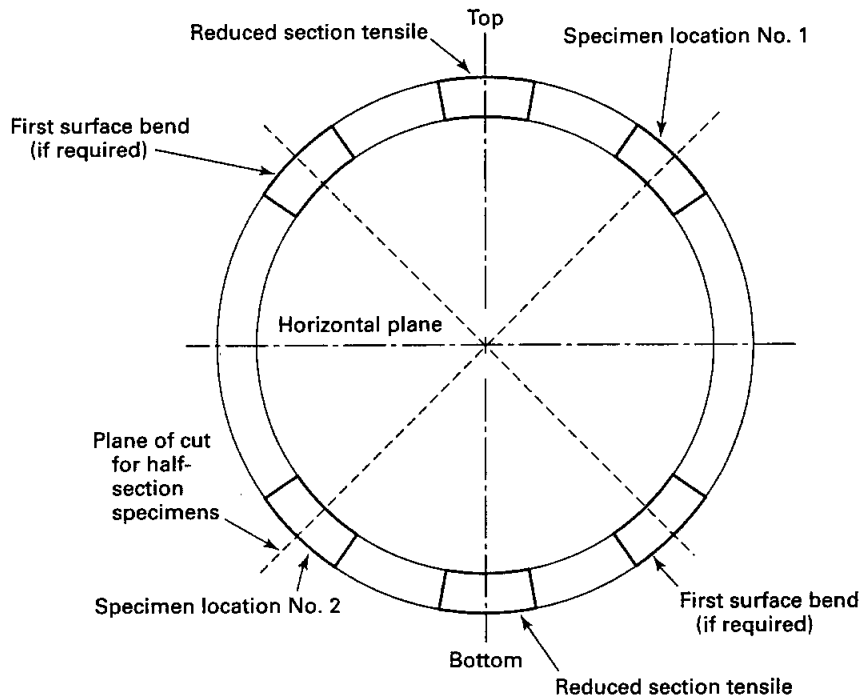
Thickness T of Test Coupon as Braze, in. (mm)	Range of Thickness of Materials Qualified by Test Plate or Pipe, in. (mm)		Type and Number of Test Specimens Required	
	Min.	Max.	Tension, QB-462.1	Section, QB-462.4
Less than $\frac{1}{8}$ (3.2)	$0.5T$	$2T$	2	2
$\frac{1}{8}$ to $\frac{3}{8}$ (3.2 to 10), incl.	$\frac{1}{16}$ (1.6)	$2T$	2	2
Over $\frac{3}{8}$ (10)	$\frac{3}{16}$ (4.8)	$2T$	2	2

QB-451.5
SECTION TESTS — WORKMANSHIP COUPON JOINTS

Thickness T of Test Coupon as Braze, in. (mm)	Range of Thickness of Materials Qualified by Test Plate or Pipe, in. (mm)		Type and Number of Test Specimens Required
	Min.	Max.	Section, QB-462.5 [Note (1)]
Less than $\frac{1}{8}$ (3.2)	$0.5T$	$2T$	2
$\frac{1}{8}$ to $\frac{3}{8}$ (3.2 to 10), incl.	$\frac{1}{16}$ (1.6)	$2T$	2
Over $\frac{3}{8}$ (10)	$\frac{3}{16}$ (4.8)	$2T$	2

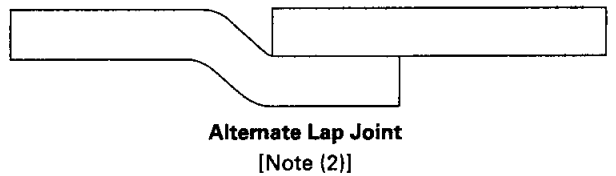
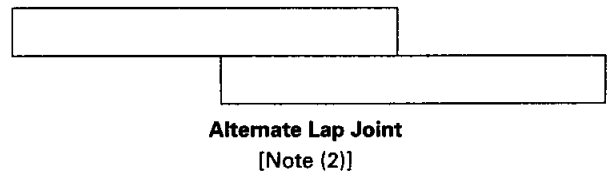
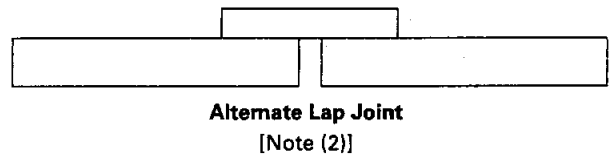
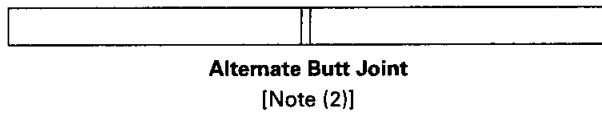
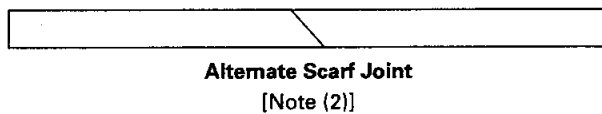
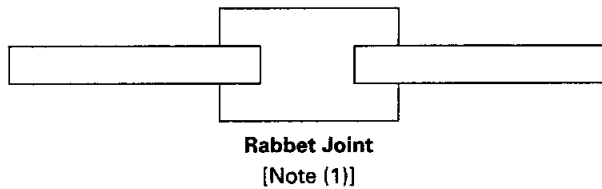
NOTE:

- (1) This test in itself does not constitute procedure qualification but must be validated by conductance of tests of butt or lap joints as appropriate. For joints connecting tension members, such as the stay or partition type in QB-462.5, the validation data may be based upon butt joints; for joints connecting members in shear, such as saddle or spud joints, the validation data may be based on lap joints.

**GENERAL NOTES:**

- (a) Figure shown is for coupons over 3 in. (76 mm) OD. Locations No. 1 and 2 are for:
- (1) second surface specimens for butt and scarf joints;
 - (2) peel or section specimens for lap joints;
 - (3) section specimens for rabbet joints.
- (b) For coupons 3 in. (76 mm) OD and smaller, two coupons shall be brazed and one specimen shall be removed from each coupon. If brazed in the horizontal flow position, the specimen shall be taken at specimen location No. 1. Alternatively, each coupon shall be cut longitudinally and the specimen shall consist of both sides of one half-section of each coupon.
- (c) When coupon is brazed in the horizontal flow position, specimens locations shall be as shown relative to the horizontal plane of the coupon, and for half-section specimens, plane of cut shall be oriented as shown relative to the horizontal plane of the coupon.
- (d) When both ends of a coupling are brazed, each end is considered a separate test coupon.

Discard		this piece
Sectioning		specimen
Discard		this piece
Sectioning		specimen
Discard		this piece



NOTES:
 (1) Required for rabbet joints.
 (2) The sectioning specimen in this view may be used as an alternate to sectioning the peel test specimens of QB-463.2(b) when the peel test cannot be used. This section test specimen should be approximately 1/2 in. (13 mm) wide.

QB-463.2(a) PLATES PERFORMANCE QUALIFICATION

QW-483 (Back)

PQR No. _____

Tensile Test (QW-150)

Specimen No.	Width	Thickness	Area	Ultimate Total Load lb	Ultimate Unit Stress psi	Type of Failure & Location

Guided-Bend Tests (QW-160)

Type and Figure No.	Result

Toughness Tests (QW-170)

Specimen No.	Notch Location	Specimen Size	Test Temp.	Impact Values			Drop Weight Break (Y/N)
				Ft. lbs	Shear	Mils	

Comments: _____

Fillet-Weld Test (QW-180)

Result — Satisfactory: Yes _____ No _____ Penetration into Parent Metal: Yes _____ No _____

Macro — Results _____

Other Tests

Type of Test _____

Deposit Analysis _____

Other _____

Welder's Name _____ Clock No. _____ Stamp No. _____

Tests conducted by: _____ Laboratory Test No. _____

We certify that the statements in this record are correct and that the test welds were prepared, welded, and tested in accordance with the requirements of Section IX of the ASME Code.

Manufacturer _____

Date _____ By _____

(Detail of record of tests are illustrative only and may be modified to conform to the type and number of tests required by the Code.)

01
A02

QW-484A SUGGESTED FORMAT A FOR WELDER PERFORMANCE QUALIFICATIONS (WPQ)
(See QW-301, Section IX, ASME Boiler and Pressure Vessel Code)

Weider's name _____ Identification No. _____

Test Description

Identification of WPS followed _____ Test coupon Production weld
Specification of base metal(s) _____ Thickness _____

Testing Conditions and Qualification Limits

Welding Variables (QW-350)	Actual Values	Range Qualified
Welding process(es)	_____	_____
Type (ie; manual, semi-auto) used	_____	_____
Backing (metal, weld metal, double-welded, etc.)	_____	_____
<input type="checkbox"/> Plate <input type="checkbox"/> Pipe (enter diameter if pipe or tube)	_____	_____
Base metal P- or S-Number to P- or S-Number	_____	_____
Filler metal or electrode specification(s) (SFA) (info. only)	_____	_____
Filler metal or electrode classification(s) (info. only)	_____	_____
Filler metal F-Number(s)	_____	_____
Consumable insert (GTAW or PAW)	_____	_____
Filler type (solid/metal or flux cored/powder) (GTAW or PAW)	_____	_____
Deposit thickness for each process	_____	_____
Process 1: _____ 3 layers minimum <input type="checkbox"/> Yes <input type="checkbox"/> No	_____	_____
Process 2: _____ 3 layers minimum <input type="checkbox"/> Yes <input type="checkbox"/> No	_____	_____
Position qualified (2G, 6G, 3F, etc.)	_____	_____
Vertical progression (uphill or downhill)	_____	_____
Type of fuel gas (OFW)	_____	_____
Inert gas backing (GTAW, PAW, GMAW)	_____	_____
Transfer mode (spray/globular or pulse to short circuit-GMAW)	_____	_____
GTAW current type/polarity (AC, DCEP, DCEN)	_____	_____

RESULTS

Visual Examination of Completed Weld (QW-302.4) _____
 Bend test; Transverse root and face [QW-462.3(a)]; Longitudinal root and face [QW-462.3(b)]; Side [QW-462.2];
 Pipe bend specimen, corrosion-resistant overlay [QW-462.5(c)]; Plate bend specimen, corrosion-resistant overlay [QW-462.5(d)];
 Macro test for fusion [QW-462.5(f)]; Macro test for fusion [QW-462.5(e)]

Type	Result	Type	Result	Type	Result

Alternative radiographic examination results (QW-180) _____
 Fillet weld — fracture test (QW-180) _____ Length and percent of defects _____
 Macro examination (QW-184) _____ Fillet size (in.) _____ x _____ Concavity/convexity (in.) _____
 Other tests _____
 Film or specimens evaluated by _____ Company _____
 Mechanical tests conducted by _____ Laboratory test no. _____
 Welding supervised by _____

We certify that the statements in this record are correct and that the test coupons were prepared, welded, and tested in accordance with the requirements of Section IX of the ASME Boiler and Pressure Vessel Code.

Organization _____

Date _____

By _____

QW-484B SUGGESTED FORMAT B FOR WELDING OPERATOR PERFORMANCE QUALIFICATIONS (WOPQ)
 (See QW-301, Section IX, ASME Boiler and Pressure Vessel Code)

Welder's name _____ Identification no. _____
Test Description (Information Only)
 Identification of WPS followed _____ Test coupon Production weld
 Specification of base metal(s) _____ Thickness _____
 Base metal P or S-Number _____ to P or S-Number _____ Position (2G, 6G, 3F, etc.) _____
 Plate Pipe (enter diameter if pipe or tube): _____
 Filler metal (SFA) specification _____ Filler metal or electrode classification _____

Testing Conditions and Qualification Limits When Using Automatic Welding Equipment

Welding Variables (QW-361.1)	Actual Values	Range Qualified
Type of welding (Automatic)	_____	_____
Welding process	_____	_____
Filler metal (EBW or LBW)	_____	_____
Type of laser for LBW (CO ₂ to YAG, etc.)	_____	_____
Continuous drive or inertia welding (FW)	_____	_____
Vacuum or out of vacuum (EBW)	_____	_____

Testing Conditions and Qualification Limits When Using Machine Welding Equipment

Welding Variables (QW-361.2)	Actual Values	Range Qualified
Type of welding (machine)	_____	_____
Welding process	_____	_____
Direct or remote visual control	_____	_____
Automatic arc voltage control (GTAW)	_____	_____
Automatic joint tracking	_____	_____
Position qualified (2G, 6G, 3F, etc.)	_____	_____
Consumable inserts (GTAW or PAW)	_____	_____
Backing (metal, weld metal, etc.)	_____	_____
Single or multiple passes per side	_____	_____

RESULTS

Visual Examination of Completed Weld (QW-462.2) _____
 Bend test; Transverse root and face [QW-462.3(a)]; Longitudinal root and face [QW-462.3(b)]; Side [QW-462.2];
 Pipe bend specimen, corrosion-resistant overlay [QW-462.5(c)]; Plate bend specimen, corrosion-resistant overlay [QW-462.5(d)];
 Macro test for fusion [QW-462.5(b)]; Macro test for fusion [QW-462.5(e)]

Type	Result	Type	Result	Type	Result

Alternative radiographic examination results (QW-191) _____
 Fillet weld — fracture test (QW-180) _____ Length and percent of defects _____
 Macro examination (QW-184) _____ Fillet size (in.) _____ x _____ Concavity/convexity (in.) _____
 Other tests _____
 Film or specimens evaluated by _____ Company _____
 Mechanical tests conducted by _____ Laboratory test no. _____
 Welding supervised by _____

We certify that the statements in this record are correct and that the test coupons were prepared, welded, and tested in accordance with the requirements of Section IX of the ASME Code.

Organization _____
 Date _____ By _____

A02

**QW-485 SUGGESTED FORMAT FOR DEMONSTRATION OF STANDARD WELDING
PROCEDURE SPECIFICATIONS (SWPS)
(See Article V)**

Identification of Standard Welding Procedure Specification Demonstrated: _____

Demonstration Welding Conditions

Specification, Type, and Grade of Base Metal(s): _____

to Specification, Type, and Grade of Base Metal(s): _____

Base Metal P- or S-Number _____ to Base Metal P- or S-Number _____ Thickness: _____

Welding Process(es) used: _____

Plate Pipe (Enter Diameter of Pipe or Tube): _____

Groove Type (Single V, Double V, Single U, etc.): _____

Initial Cleaning Method: _____

Backing (Metal, Weld Metal, Backwelded, etc.): _____

Filler Metal (SFA) Specification: _____

Filler Metal or Electrode Classification: _____

Filler Metal or Electrode Trade Name: _____

Tungsten Electrode Type and Size for GTAW: _____

Consumable Insert Class and Size for GTAW or PAW: _____

Shielding Gas Composition and Flow Rate for GTAW, PAW, GMAW: _____

Preheat Temperature (°F): _____

Position (1G, 2G, etc.) of Weld: _____

Progression (Uphill or Downhill): _____

Interpass Cleaning Method: _____

Measured Interpass Temperature (°F): _____

Approximate Deposit Thickness for Each Filler Metal or Electrode Type (in.): _____

Current Type/Polarity (AC, DCEP, DECN): _____

Postweld Heat Treatment Time and Temperature: _____

Visual Examination of Completed Weld: _____ Date of Test: _____

Bend Test

Transverse Root and Face [QW-462.3(a)]

Side [QW-462.2]

Type	Result	Type	Result	Type	Result

Alternative Radiographic Examination Results: _____

Specimens Evaluated By: _____ Title: _____ Company: _____

Welding Supervised By: _____ Title: _____ Company: _____

Welder's Name: _____ Stamp No. _____

We certify that the statements in this record are correct and that the weld described above was prepared, welded, and tested in accordance with the requirements of Section IX of the ASME Boiler and Pressure Vessel Code.

Manufacturer or Contractor: _____

By: _____ Date: _____ Demonstration Number: _____

QB-482 SUGGESTED FORMAT FOR BRAZING PROCEDURE SPECIFICATIONS (BPS) (See QB-200.1 , Section IX, ASME Boiler and Pressure Vessel Code)	
Company Name: _____ BPS Number: _____ Revision: _____ Date Issued: _____ Supporting PQRs: _____ Brazing Process(es): _____ Type(s): _____	
Joints (QB-408)	
Joint Design: Type: _____ Clearance: _____ Overlap: Minimum: _____ Maximum: _____	
Base Metals (QB-402) P/S Number _____ to P/S Number _____ Other: _____ Base Metal Thickness Minimum: _____ Maximum: _____	Filler Metals (QB-403) Specification Number: _____ AWS Classification: _____ F-Number: _____ Filler Form: _____ _____ _____
Post Braze Heat Treatment (QB-409) Temperature: _____ Max. Holding Time: _____	Brazing Flux, Fuel Gas, or Atmosphere (QB-406) Flux Type or Trade Name: _____ Fuel Gas: _____ Flame Type: _____ Recommended Brazing Temperature: _____ Other: _____
Flow Positions (QB-407) Positions Permitted: _____ Flow Direction: _____	
Technique (QB-410) and Other Information	
Initial Cleaning: _____ _____ Flux Application: _____ Torch Tip Sizes: _____ Final Cleaning: _____ Inspection: _____ _____ _____	
Manufacturer: _____ By: _____ Title: _____ Date: _____	
<small>This form (E00031) may be obtained from the Order Dept., ASME, 22 Law Drive, Box 2300, Fairfield, NJ 07007-2300.</small>	

SAMPLE

A02

QB-483 SUGGESTED FORMAT FOR BRAZING PROCEDURE QUALIFICATION RECORDS (PQR)
(See QB-200.2, Section IX, ASME Boiler and Pressure Vessel Code)
Record of Actual Conditions Used to Braze Test Coupon

Company Name: _____
 BPS Followed During Brazing of Test Coupon: _____ PQR No: _____
 Brazing Process(es) Used: _____ Date Coupon Was Brazed: _____
 Base Metal Specification: _____
 to Base Metal Specification: _____
 P-Number: _____ to P-Number: _____ Plate/Pipe Diameter: _____
 Base Metal Thickness (in.): _____ Joint Type: _____
 Filler Metal Specification: AWS Classification: _____ F-No.: _____ Product Form: _____
 Filler Metal Size: _____ Method of Applying Filler: _____
 Flux Type or Trade Name: _____ Gas Backing: _____
 Overlap Used (in.): _____ Clearance Between Parts: _____
 Position and Flow Direction: _____
 Fuel Gas: _____ Flame Type: _____
 Postbrazing Heat treatment (°F): _____ Postbrazing heat treatment time (hr): _____
 Cleaning Prior to Brazing: _____
 Cleaning After Brazing: _____
 Other: _____

Tensile Tests

Specimen	Width/Dia. (in.)	Thickness (in.)	Area (sq in.)	Ultimate load (lb)	Ultimate Stress (psi)	Failure Location

Bend Tests

Type	Results	Type	Results

Peel or Section Tests

Type	Results	Type	Results

Other Tests: _____
 Brazer's Name: _____ ID No.: _____ Company: _____
 Brazing of Test Coupon Supervised by: _____ Company: _____
 Test Specimens Evaluated by: _____ Company: _____
 Laboratory Test Number: _____

We hereby certify that the statements in this record are correct and that the test welds were prepared, brazed, and tested in accordance with the requirements of Section IX of the ASME Boiler and Pressure Vessel Code.

Manufacturer: _____

By: _____ Date: _____

**QB-484 SUGGESTED FORMAT FOR BRAZER/BRAZING OPERATOR PERFORMANCE
QUALIFICATIONS (BPO)
(See QB-301, Section IX, ASME Boiler and Pressure Vessel Code)**

Brazer's/Operator's Name: _____ Identification No. _____

Testing Conditions and Ranges Qualified

Identification of BPS followed during brazing of test coupon: _____

Specification of First Test Coupon Base Metal: _____

Specification of Second Test Coupon Base Metal: _____

Brazing Variables	Actual Values	Range Qualified
Brazing Process(es):	_____	_____
Type of Brazing (manual, semi-automatic, automatic):	_____	_____
Base Metal P- or S-Number _____ to P- or S-Number	_____	_____
<input type="checkbox"/> Plate <input type="checkbox"/> Pipe (enter diameter if pipe or tube):	_____	_____
First Base Metal thickness (in.):	_____	_____
Second Base Metal thickness (in.):	_____	_____
Joint Type (Butt, Lap, Scarf, Socket, etc.):	_____	_____
If Lap or Socket, Overlap Length (in.):	_____	_____
Joint Clearance (in.):	_____	_____
Filler Metal (SFA) Specification(s) (info. only):	_____	_____
Filler Metal Classification(s) (info. only):	_____	_____
Filler Metal/F-Number:	_____	_____
Filler Metal Product Form:	_____	_____
First Brazing Position:	_____	_____
Second Brazing Position:	_____	_____

Testing and Results

Visual Examination of Completed Joint: _____ Date of Test: _____

Mechanical Test Peel (QB-462.3) Section (QB-462.4) Tension [QB-462.1(e)]

Position	Result	Position	Result	Position	Result

Brazing Supervised by: _____ Company: _____

Mechanical Tests Conducted by: _____ Company: _____

Specimens Evaluated by: _____ Company: _____

Lab Test No.: _____

We certify that the statements in this record are correct and that the test coupons were prepared, welded, and tested in accordance with the requirements of Section IX of the ASME Boiler and Pressure Vessel Code.

Company Name: _____

By: _____ Date: _____

**APPENDIX D — NONMANDATORY
P-NUMBER LISTING**

NONMANDATORY APPENDIX D

APPENDIX D — NONMANDATORY P-NUMBER LISTING

A02

P-No.	Grp. No.	Spec. No.	Type, Grade, or UNS No.	P-No.	Grp. No.	Spec. No.	Type, Grade, or UNS No.
Steel and Steel Alloys				Steel and Steel Alloys (Cont'd)			
1	1	SA-36		1	1	SA-515	65
1	1	SA-53	Type E, Gr. A	1	1	SA-516	55
1	1	SA-53	Type E, Gr. B	1	1	SA-516	60
1	1	SA-53	Type F	1	1	SA-516	65
1	1	SA-53	Type S, Gr. A	1	1	SA-524	I
1	1	SA-53	Type S, Gr. B	1	1	SA-524	II
1	1	SA-106	A	1	1	SA-556	A2
1	1	SA-106	B	1	1	SA-556	B2
1	1	SA-134		1	1	SA-557	A2
1	1	SA-135	A	1	1	SA-557	B2
1	1	SA-135	B	1	1	SA-562	
1	1	SA-178	A	1	1	SA-587	...
1	1	SA-178	C	1	1	SA-620	K00040
1	1	SA-179	...	1	1	SA-660	WCA
1	1	SA-181	Cl. 60	1	1	SA-662	A
1	1	SA-192		1	1	SA-662	B
1	1	SA-210	A-1	1	1	SA-671	CA55
1	1	SA-214		1	1	SA-671	CB60
1	1	SA-216	WCA	1	1	SA-671	CB65
1	1	SA-226		1	1	SA-671	CC60
1	1	SA-234	WPB	1	1	SA-671	CC65
1	1	SA-266	1	1	1	SA-671	CE55
1	1	SA-283	A	1	1	SA-671	CE60
1	1	SA-283	B	1	1	SA-672	A45
1	1	SA-283	C	1	1	SA-672	A50
1	1	SA-283	D	1	1	SA-672	A55
1	1	SA-285	A	1	1	SA-672	B55
1	1	SA-285	B	1	1	SA-672	B60
1	1	SA-285	C	1	1	SA-672	B65
1	1	SA-333	1	1	1	SA-672	C55
1	1	SA-333	6	1	1	SA-672	C60
1	1	SA-334	1	1	1	SA-672	C65
1	1	SA-334	6	1	1	SA-672	E55
1	1	SA-350	LF1	1	1	SA-672	E60
1	1	SA-352	LCA	1	1	SA-675	45
1	1	SA-352	LCB	1	1	SA-675	50
1	1	SA-369	FPA	1	1	SA-675	55
1	1	SA-369	FPB	1	1	SA-675	60
1	1	SA-372	A	1	1	SA-675	65
1	1	SA-414	A	1	1	SA-695	Type B, Gr. 35
1	1	SA-414	B	1	1	SA-696	B
1	1	SA-414	C	1	1	SA-727	...
1	1	SA-414	D	1	1	SA-765	I
1	1	SA-414	E	1	1	SA-836	
1	1	SA-420	WPL6	1	1	SA/CSA	Gr. 38W
1	1	SA-513	1008	1	1	G40.21	
1	1	SA-513	1010	1	1	SA/CSA	Gr. 44W
1	1	SA-513	1015				
1	1	SA-515	60	1	1	SA/CSA	Gr. 44W

2001 SECTION IX

01
A02

APPENDIX D — NONMANDATORY P-NUMBER LISTING (CONT'D)

P- No.	Grp. No.	Spec. No.	Type, Grade, or UNS No.	P- No.	Grp. No.	Spec. No.	Type, Grade, or UNS No.
Steel and Steel Alloys (Cont'd)				Steel and Steel Alloys (Cont'd)			
		G40.21		1	2	SA-696	C
1	1	SA/EN	295GH	1	2	SA-737	B
		10028-2		1	2	SA-738	A
1	1	SA/EN	275NH	1	2	SA-765	II
		10028-3					
1	2	SA-105		1	3	SA-333	10
1	2	SA-106	C	1	3	SA-537	Cl. 2
1	2	SA-178	D	1	3	SA-537	Cl. 3
1	2	SA-181	Cl. 70	1	3	SA-671	CD80
1	2	SA-210	C	1	3	SA-672	D80
				1	3	SA-691	CMSH-80
1	2	SA-216	WCB	1	3	SA-737	C
1	2	SA-216	WCC	1	3	SA-738	B
1	2	SA-234	WPC	1	3	SA-738	C
1	2	SA-266	2				
1	2	SA-266	3	1	4	SA-724	A
				1	4	SA-724	B
1	2	SA-266	4	1	4	SA-724	C
1	2	SA-299					
1	2	SA-350	LF2	3	1	SA-204	A
1	2	SA-352	LCC	3	1	SA-209	T1
1	2	SA-372	B	3	1	SA-209	T1a
				3	1	SA-209	T1b
1	2	SA-414	F	3	1	SA-213	T2
1	2	SA-414	G				
1	2	SA-455		3	1	SA-217	WC1
1	2	SA-487	Gr. 16, Cl. A	3	1	SA-234	WP1
1	2	SA-508	1	3	1	SA-250	T1
				3	1	SA-250	T1a
1	2	SA-508	1A	3	1	SA-250	T1b
1	2	SA-515	70				
1	2	SA-516	70	3	1	SA-250	T2
1	2	SA-537	Cl. 1	3	1	SA-335	P1
1	2	SA-541	1	3	1	SA-335	P2
				3	1	SA-335	P15
1	2	SA-541	1A	3	1	SA-352	LC1
1	2	SA-556	C2				
1	2	SA-557	C2	3	1	SA-369	FP1
1	2	SA-660	WCB	3	1	SA-369	FP2
1	2	SA-660	WCC	3	1	SA-387	Gr. 2, Cl. 1
				3	1	SA-426	CP1
1	2	SA-662	C	3	1	SA-426	CP2
1	2	SA-671	CB70				
1	2	SA-671	CC70	3	1	SA-426	CP15
1	2	SA-671	CD70	3	1	SA-672	L65
1	2	SA-671	CK75	3	1	SA-691	1/2CR
				3	1	SA-691	CM-65
1	2	SA-672	B70				
1	2	SA-672	C70	3	2	SA-182	F1
1	2	SA-672	D70	3	2	SA-182	F2
1	2	SA-672	N75	3	2	SA-204	B
1	2	SA-675	70	3	2	SA-204	C
				3	2	SA-302	A
1	2	SA-691	CMS-75				
1	2	SA-691	CMSH-70	3	2	SA-336	F1
1	2	SA-695	Type B, Gr. 40				

NONMANDATORY APPENDIX D

APPENDIX D — NONMANDATORY P-NUMBER LISTING (CONT'D)

01
A02

P-No.	Grp. No.	Spec. No.	Type, Grade, or UNS No.	P-No.	Grp. No.	Spec. No.	Type, Grade, or UNS No.
Nickel and Nickel-Base Alloys (Cont'd)				Nickel and Nickel-Base Alloys (Cont'd)			
45		SB-625	N08904	46		SB-564	N12160
45		SB-625	N08925	46		SB-572	N12160
45		SB-625	R20033	46		SB-619	N12160
45		SB-626	N06007	46		SB-622	N12160
45		SB-626	N06030	46		SB-626	N12160
45		SB-626	N06975	46		SB-710	N08330
45		SB-626	N06985	47		SB-366	N06230
45		SB-626	N08031	47		SB-435	N06230
45		SB-626	N08320	47		SB-564	N06230
45		SB-626	R20033	47		SB-572	N06230
45		SB-626	R30556	47		SB-619	N06230
45		SB-649	N08904	47		SB-622	N06230
45		SB-649	N08925	47		SB-626	N06230
45		SB-649	R20033	Titanium and Titanium-Base Alloys			
45		SB-668	N08028	51		SB-265	R50250
45		SB-672	N08700	51		SB-265	R50400
45		SB-673	N08904	51		SB-265	R52250
45		SB-673	N08925	51		SB-265	R52252
45		SB-674	N08904	51		SB-265	R52400
45		SB-674	N08925	51		SB-265	R52402
45		SB-675	N08366	51		SB-338	R50250
45		SB-675	N08367	51		SB-338	R50400
45		SB-676	N08366	51		SB-338	R52400
45		SB-676	N08367	51		SB-338	R52402
45		SB-677	N08904	51		SB-348	R50250
45		SB-677	N08925	51		SB-348	R50400
45		SB-688	N08366	51		SB-348	R50402
45		SB-688	N08367	51		SB-348	R52400
45		SB-690	N08366	51		SB-363	R50250
45		SB-690	N08367	51		SB-363	R50400
45		SB-691	N08366	51		SB-363	R52400
45		SB-691	N08367	51		SB-367	R50400
45		SB-704	N08825	51		SB-381	R50250
45		SB-705	N08825	51		SB-381	R50400
45		SB-709	N08028	51		SB-381	R50402
45		SB-729	N08020	51		SB-381	R52400
46		SB-166	N06045	51		SB-861	R50250
46		SB-167	N06045	51		SB-861	R50400
46		SB-168	N06045	51		SB-861	R52400
46		SB-366	N06045	51		SB-862	R50250
46		SB-366	N08330	51		SB-862	R50400
46		SB-366	N12160	51		SB-862	R52400
46		SB-435	N12160	52		SB-265	R50550
46		SB-511	N08330	52		SB-265	R53400
46		SB-516	N06045	52		SB-338	R50550
46		SB-517	N06045	52		SB-338	R53400
46		SB-535	N08330	52		SB-348	R50550
46		SB-536	N08330	52		SB-348	R53400
46		SB-564	N06045				

2001 SECTION IX

01
A02

APPENDIX D — NONMANDATORY P-NUMBER LISTING (CONT'D)

P- No.	Grp. No.	Spec. No.	Type, Grade, or UNS No.	P- No.	Grp. No.	Spec. No.	Type, Grade, or UNS No.
Titanium and Titanium-Base Alloys (Cont'd)				Titanium and Titanium-Base Alloys (Cont'd)			
52		SB-363	R50550	53		SB-381	R56320
52		SB-363	R53400	53		SB-861	R56320
52		SB-367	R50550	53		SB-862	R56320
Titanium and Titanium-Base Alloys (Cont'd)				Zirconium and Zirconium-Base Alloys			
52		SB-381	R50550	61		SB-493	R60702
52		SB-381	R53400	61		SB-523	R60702
52		SB-861	R50550	61		SB-550	R60702
52		SB-861	R53400	61		SB-551	R60702
52		SB-862	R50550	61		SB-658	R60702
52		SB-862	R53400	62		SB-493	R60705
53		SB-265	R56320	62		SB-523	R60705
53		SB-338	R56320	62		SB-550	R60705
53		SB-348	R56320	62		SB-551	R60705
53		SB-363	R56320	62		SB-658	R60705

ASME Boiler and Pressure Vessel Code
SECTION IX

INTERPRETATIONS
Volume 50

The Interpretations to the Code will be issued twice a year (July and December) up to the publication of the 2004 Edition of the Code. The Interpretations for each individual Section are published separately and are part of the update service to that Section; Interpretations of Section III, Divisions 1 and 2, are part of the update service to Section III, Subsection NCA.

Interpretations Volumes 42 through 47 were included with the update service to the 1998 Edition of the Code; Volume 48 is the first Interpretations volume to be included with the update service to the 2001 Edition.

Section	Vol. 48	Vol. 49	Vol. 50	Vol. 51	Vol. 52	Vol. 53
I	7/01	12/01	7/02			
II-A	7/01	12/01	7/02			
II-B	7/01	12/01	7/02			
II-C	...	12/01	...			
II-D	...	12/01	...			
III-NCA	7/01	12/01	7/02			
III-3	...	12/01	...			
IV	7/01	12/01	7/02			
V	...	12/01	7/02			
VI	...	12/01	...			
VII	...	12/01	...			
VIII-1	7/01	12/01	7/02			
VIII-2	...	12/01	7/02			
VIII-3	7/01	12/01	...			
IX	7/01	12/01	7/02			
X	...	12/01	...			
XI	7/01	12/01	7/02			

Copyright © 2002
THE AMERICAN SOCIETY OF MECHANICAL ENGINEERS
All Rights Reserved

INTERPRETATIONS

VOLUME 50 — SECTION IX

Replies to Technical Inquiries
July 1, 2001 through December 31, 2001

FOREWORD

General Information

This publication includes all written interpretations issued between the indicated dates by the ASME Staff on behalf of the ASME Boiler and Pressure Vessel Committee in response to inquiries concerning interpretations of the ASME Boiler and Pressure Vessel Code. A contents is also included which lists subjects specific to the interpretations covered in the individual volume.

These interpretations are taken verbatim from the original letters, except for a few typographical and editorial corrections made for the purpose of improved clarity. In some instances, a review of the interpretation revealed a need for corrections of a technical nature. In these cases, a revised interpretation is presented bearing the original Interpretation Number with the suffix R and the original file number with an asterisk. Following these revised interpretations, new interpretations and revisions to them issued during the indicated dates are assigned Interpretation Numbers in chronological order. Interpretations applying to more than one Code Section appear with the interpretations for each affected Section.

ASME procedures provide for reconsideration of these interpretations when or if additional information is available which the inquirer believes might affect the interpretation. Further, persons aggrieved by an interpretation may appeal to the cognizant ASME committee or subcommittee. As stated in the Statement of Policy in the Code documents, ASME does not "approve," "certify," "rate," or "endorse" any item, construction, proprietary device, or activity.

An interpretation applies either to the Edition and Addenda in effect on the date of issuance of the interpretation or the Edition and Addenda stated in the interpretation. Subsequent revisions to the Code may supersede the interpretation.

For detailed instructions on preparation of technical inquiries to the ASME Boiler and Pressure Vessel Committee, refer to Appendix A.

Subject and Numerical Indexes

Subject and numerical indexes have been prepared to assist the user in locating interpretations by subject matter or by location in the Code. They cover interpretations issued from Volume 12 up to and including the present volume, and will be updated with each volume.

SECTION IX

<u>Subject</u>	<u>Interpretation</u>	<u>File No.</u>
Code Cases 2142-1 and 2143-1	IX-01-16	BC01-338
QW-153.1, Acceptance Criteria for Tensile Strength	IX-01-18	BC01-772
QW-202.2(b), QW-202.3(b), and QW-407.4	IX-01-17	BC01-615
QW-202.4(b), Dissimilar Base Metal Thickness	IX-01-19	BC01-811
QW-300.2, Employer's Responsibility	IX-01-15	BC01-641
QW-407.1, Postweld Heat Treatment	IX-01-20	BC01-813
QW-500, The Use of SWPSs	IX-01-14	BC01-332

Interpretation: IX-01-14

Subject: QW-500, The Use of SWPSs

Date Issued: September 25, 2001

File: BC01-332

Question: May a manufacturer or contractor adopt and use SWPSs in accordance with the rules of Article V for work on Code items built to an edition or addenda prior to the 1998 edition with the 2000 Addenda, provided the construction code does not prohibit the use of SWPSs?

Reply: Yes.

Interpretation: IX-01-15

Subject: QW-300.2, Employer's Responsibility

Date Issued: September 15, 2001

File: BC01-641

Background: Section IX requires that the manufacturer, contractor, assembler, or installer "be responsible for conducting tests to qualify the performance of welders which his organization employs in construction of weldments built in accordance with the Code." It also requires that the manufacturer, contractor, assembler, or installer provide supervision and control over welders while they are welding test coupons for performance qualification.

Question (1): An employee of a contractor provides supervision and control over a welder during welding of a test coupon, but that welder is not an employee of the contractor at the time of the test. Is it required that the welder be an employee of that contractor at the time of qualification testing?

Reply (1): No.

Question (2): Must the welder be the employee of any manufacturer or contractor at the time of qualification testing?

Reply (2): No.

Interpretation: IX-01-16

Subject: Code Case 2142-1 and 2143-1

Date Issued: December 18, 2001

File: BC01-338

Background: The submerged arc welding process is being used to deposit corrosion-resistant weld overlay for Section III, Subsection NB fabrication using a Ni-Cr-Fe alloy strip filler metal and flux

combination. The strip filler metal does not meet the chemical requirements of Code Case 2142-1 (bare electrode and rod), but both the filler metal and weld deposit meet the chemical composition limits of Code Case 2143-1 (covered electrodes).

Question (1): Must the Ni-Cr-Fe alloy strip filler metal used for the SAW process meet the chemical composition requirements of Code Case 2142-1 to be classified as F-43 for procedure and performance qualifications?

Reply (1): Yes.

Question (2): May Ni-Cr-Fe alloy filler metal that is not designated as F-43 per Code Case 2142-1 be used for welding if the welding procedure is qualified separately per QW-404.37?

Reply (2): Yes.

Question (3): If the Ni-Cr-Fe alloy strip filler metal meets the chemical composition requirements of Code Case 2143-1 and was produced to the requirements of SFA-5.14, except for the chemical analysis, may the filler metal be classified as F-43 for procedure and performance qualification?

Reply (3): No.

Question (4): If the Ni-Cr-Fe alloy strip filler metal is not classified in an SFA specification, and is not covered in Code Case 2142-1 or 2143-1, is it permissible to identify the filler metal and flux on the WPS, PQR, and WPQ by the manufacturer's brand names?

Reply (4): Yes.

Interpretation: IX-01-17

Subject: QW-202.2(b), QW-202.3(b), and QW-407.4

Date Issued: December 18, 2001

File: BC01-615

Background: A groove weld procedure qualification test coupon 1.5 in. thick was welded with the SMAW process using multiple passes of $\frac{1}{2}$ in. max. thickness. The test coupon was given a subsequent post weld heat treatment exceeding the upper transformation temperature prior to the completion of mechanical testing.

Question: May this PQR be used to support the weld of partial penetration groove welds per QW-202.2(b) or weld repair and buildup welds per QW-202.3(b) on base material thickness exceeding 1.65 in.?

Reply: No. Per QW-407.4, a procedure qualification test coupon receiving a post weld heat treatment in which the upper transformation is exceeded, the maximum qualified thickness for production welds is 1.1 times the thickness of the test coupon.

Interpretation: IX-01-18

Subject: QW-153.1, Acceptance Criteria for Tensile Strength

Dated Issued: December 18, 2001

File: BC01-772

Question: Does the minimum specified tensile strength in QW/QB-422 supercede the SA/SB material tensile strength for procedure qualification?

Reply: Yes.

Interpretation: IX-01-19

Subject: QW-202.4(b), Dissimilar Base Metal Thickness

Date Issued: December 18, 2001

File: BC01-811

Question: Does QW-202.4(b) permit the maximum weld deposit thickness limit to be extended beyond the limit specified in QW-451.1?

Reply: No; QW-202.4 applies only to the base metal thickness limits.

Interpretation: IX-01-20

Subject: QW-407.1, Postweld Heat Treatment

Date Issued: December 18, 2001

File: BC01-813

Question (1): May a procedure qualification record subject to variable QW-407.1(a) that included only a PWHT below the lower transformation temperature be used to support a WPS with PWHT above the upper transformation temperature and a subsequent PWHT below the lower transformation temperature?

Reply (1): No.

Question (2): Does Section IX address the values to be used as transformation temperature?

Reply (2): No.



NUMERICAL INDEX

<u>Location</u>	<u>Interpretation</u>	<u>File No.</u>	<u>Page No.</u>	<u>Location</u>	<u>Interpretation</u>	<u>File No.</u>	<u>Page No.</u>
Appendix C	IX-92-98	BC94-236	327	Part QW			
Code Case 2141	IX-92-82	BC93-434	317	QW-100.1	IX-83-17	BC82-422	13
Code Case 2142-1	IX-01-16	BC01-338	433		IX-89-03	BC88-166A	182
Code Case 2143-1	IX-01-16	BC01-338	433	QW-100.3	IX-83-99	BC83-472	63
Q-11, 1971 Edition	IX-83-02	BC81-704	6		IX-92-86	BC93-658	318
Q-11(b)(3), 1971 Edition, Winter 1973 Addenda	IX-83-41	BC82-796	28	QW-103	IX-92-09	BC91-260	265
					IX-92-80	BC93-584	316
Q-11(5), 1971 Edition, Winter 1973 Addenda	IX-83-40	BC82-794	27	QW-103.1	IX-92-81	BC92-306	316
Section II, Part C	IX-89-97	BC90-873	250	QW-103.2	IX-92-16	BC91-314	268
	IX-92-27	BC91-471	273	QW-144	IX-92-55	BC92-307	295
	IX-92-61	BC92-422	304	QW-150	IX-01-10	BC01-073	428
	IX-92-94	BC93-754	326	QW-151	IX-83-110	BC83-692	69
	IX-92-99	BC93-762, BC93-769	327		IX-83-38	BC82-771	26
					IX-92-19	BC91-390	269
				QW-151.1	IX-92-37	BC92-097	282
					IX-89-25	BC89-099	197
					IX-89-83	BC90-532	243
					IX-89-90	BC90-532	247
					IX-92-79	BC93-583	315
Part QB				QW-151.1(d)	IX-83-119	BC84-253	79
...	IX-86-73	BC86-332	159	QW-151.2	IX-83-120	BC83-474	79
QB-121	IX-92-86	BC93-655	318	QW-151.2(d)	IX-83-95	BC83-301	61
QB-123	IX-92-86	BC93-655	318	QW-151.3	IX-92-29	BC91-473	279
QB-141.4	IX-83-76	BC83-248	44		IX-92-63	BC92-452	304
	IX-98-01	BC97-304	383	QW-153.1	IX-89-04	BC88-167	182
QB-172	IX-89-74	BC90-429	234		IX-95-06	BC94-542	336
QB-181	IX-83-76	BC83-248	44		IX-01-18	BC01-772	435
QB-200.4	IX-89-103	BC91-096	253	QW-153.1(d)	IX-95-09	BC94-570	344
QB-201.3	IX-86-21	BC86-058	126	QW-160	IX-83-156	BC84-697	98
QB-203.1	IX-86-02	BC85-292	113		IX-92-10	BC91-261	265
QB-402.1	IX-92-74	BC93-474	313		IX-95-15	BC95-094	346
	IX-92-93	BC93-752	325	QW-162.1	IX-83-115	BC83-279	77
QB-402.2	IX-83-136	BC84-398	87		IX-86-37	BC86-297	139
QB-402.3	IX-83-49	BC82-871	33	QW-163	IX-83-60	BC82-749	38
QB-406.1	IX-83-118	BC84-183	78		IX-83-120	BC83-474	79
QB-406.3	IX-83-118	BC84-183	78		IX-86-42	BC86-331	141
QB-408.2	IX-86-11	BC85-420	116		IX-86-61	BC86-515	153
	IX-86-22	BC85-531	126	QW-180	IX-92-11	BC91-263	266
QB-415	IX-92-83	BC93-527	317	QW-181.1	IX-86-40	BC86-329	141
QB-451.3 [Note (1)]	IX-98-01	BC97-304	383	QW-183	IX-92-24	BC91-280	272
QB-452.1 [Note (1)]	IX-83-76	BC83-248	44	QW-184	IX-92-24	BC91-280	272
QB-461	IX-86-02	BC85-292	113	QW-191	IX-83-52	BC83-001	34
QB-462.1(a)	IX-89-49	BC89-372	218		IX-83-142	BC84-548	89
QB-462.1(b)	IX-89-49	BC89-372	218		IX-83-157	BC84-700	98
QB-462.1(c)	IX-89-81	BC90-537	237		IX-83-174	BC84-557	107
QB-463	IX-83-76	BC83-248	44	QW-191.2.2	IX-86-62	BC86-517	153
QB-466.3	IX-86-38	BC86-298	140	QW-191.2.2(b)(1)	IX-83-173	BC85-013	106
QB-482	IX-89-93	BC90-783	249	QW-191.2.2(b)(3)	IX-83-173	BC85-013	106
QB-484	IX-89-93	BC90-783	249				

Location	Interpretation	File No.	Page No.	Location	Interpretation	File No.	Page No.
Part QW (Cont'd)					IX-95-29	BC95-302	360
QW-194	IX-01-03	BC00-519	420		IX-95-40	BC93-431,	376
	IX-01-10	BC01-073	428			BC95-222	
QW-194.1	IX-86-18	BC85-585	125		IX-98-02	BC97-309	383
QW-195	IX-92-13	BC91-278	267	QW-201	IX-01-02	BC00-553	419
QW-200	IX-86-42	BC86-331	141	QW-201.1	IX-98-18	BC99-025	403
	IX-89-17	BC88-473	193	QW-202	IX-92-17	BC91-315	268
QW-200.1	IX-92-38	BC91-630	283	QW-202.2	IX-83-103	BC83-237	65
	IX-83-03	BC82-056	7		IX-86-74	BC87-134	165
	IX-89-03	BC88-166A	182		IX-92-11	BC91-263	266
	IX-92-30	BC91-587	279	QW-202.2(b)	IX-95-03	BC94-235	334
QW-200.1(b)	IX-98-13	BC98-239	396		IX-01-17	BC01-615	434
	IX-89-85	BC90-671	244	QW-202.2(c)	IX-89-87	BC90-745	245
QW-200.1(c)	IX-95-01	BC94-104	333		IX-89-100	BC90-663	252
	IX-83-54	BC83-042	35		IX-89-100R	BC90-663*	261
QW-200.2	IX-83-111	BC84-001	70	QW-202.3	IX-83-93	BC83-531	56
	IX-83-03	BC82-056	7		IX-83-114	BC84-070	71
QW-200.2(b)	IX-83-72	BC83-269	43		IX-83-160	BC84-219	100
	IX-86-70	BC87-089	157		IX-86-56	BC86-429	146
	IX-86-87	BC87-490A	175		IX-89-12	BC88-401	187
	IX-92-78	BC93-561	318		IX-95-34	BC96-060	368
	IX-98-04	BC97-481	384	QW-202.3(b)	IX-01-17	BC01-615	434
	IX-01-05	BC00-654	420	QW-202.4	IX-83-123	BC84-092	80
	IX-83-164	BC85-023	103		IX-86-36	BC86-280	139
	IX-92-16	BC91-314	268		IX-86-43	BC86-337	142
	IX-92-25	BC91-415	272		IX-86-89	BC88-089	176
	IX-83-171	BC85-132	105		IX-92-11	BC91-263	266
QW-200.2(c)	IX-86-06	BC85-328	115		IX-95-12	BC95-027	345
QW-200.2(f)	IX-83-115	BC83-279	77	QW-202.4(b)	IX-98-20R	BC99-539*	426
QW-200.3	IX-89-37	BC89-358	212		IX-01-19	BC01-811	435
QW-200.4	IX-89-66	BC90-281	226	QW-203	IX-95-13	BC94-035	345
	IX-83-80	BC83-388	50	QW-204	IX-89-67	BC90-335	226
	IX-83-83	BC83-394	53	QW-211	IX-83-15	BC82-388	13
	IX-86-06	BC85-328	115		IX-89-105	BC91-119	254
	IX-86-08	BC85-134	116	QW-214	IX-86-71	BC87-090	157
	IX-86-23	BC85-553	127		IX-92-06	BC91-054	264
	IX-86-33	BC86-262	138		IX-92-60	BC92-421	303
	IX-92-77	BC93-518	314		IX-95-34	BC96-060	368
	IX-95-10	BC94-662	344	QW-214.1	IX-83-48	BC82-870	32
	IX-86-01	BC85-036	113	QW-214.3	IX-89-77	BC90-492	236
QW-200.4(a)	IX-92-42	BC92-011	291		IX-92-54	BC92-305	295
	IX-92-97	BC94-167	327	QW-216	IX-89-29	BC89-178	204
	IX-89-43	BC89-365	215		IX-92-03	BC90-523	262
QW-200.4(a)(2)	IX-92-75	BC93-490	313		IX-95-34	BC96-060	368
QW-200.4(b)	IX-83-03	BC82-056	7	QW-216.1	IX-89-32	BC89-287	205
QW-201	IX-83-12	BC82-341	11	QW-216.2(d)	IX-89-39	BC89-361	213
	IX-83-25	BC81-160	16		IX-89-77	BC90-492	236
	IX-83-39	BC83-792	26	QW-218	IX-89-31	BC89-178	204
	IX-83-68	BC83-040	41		IX-92-20	BC91-396	270
	IX-83-151	BC84-620	96	QW-250	IX-89-11	BC88-399	186
	IX-86-49	BC86-367	144		IX-89-85	BC90-671	244
	IX-89-73	BC90-319	234	QW-251.2	IX-83-79	BC83-358	50
	IX-92-07	BC91-156	264	QW-251.4	IX-92-44	BC92-168	291
	IX-92-66	BC93-377	305	QW-253	IX-92-57	BC92-354	296
	IX-92-67	BC93-391	306	QW-254	IX-83-27	BC82-713	17
IX-92-80	BC93-584	316	QW-255	IX-95-16	BC95-095	346	
IX-92-81	BC92-306	316	QW-256	IX-86-26	BC86-059	129	
IX-92-92	BC93-678	325		IX-92-57	BC92-354	296	
IX-95-25	BC95-252	359	QW-280	IX-89-92	BC90-681	248	
IX-95-26	BC95-303	359		IX-92-44	BC92-168,	291	
IX-95-27	BC95-482	360			BC90-691		

<u>Location</u>	<u>Interpretation</u>	<u>File No.</u>	<u>Page No.</u>	<u>Location</u>	<u>Interpretation</u>	<u>File No.</u>	<u>Page No.</u>
Part QW (Cont'd)					IX-83-57	BC83-079	37
QW-281.2(b)	IX-89-70	BC90-430	227		IX-83-91	BC83-528	56
QW-281.2(c)	IX-86-59	BC86-458	152		IX-83-108	BC83-639	68
QW-281.2(e)	IX-83-129	BC84-251	84		IX-86-85	BC87-492	174
QW-281.5(a)	IX-89-44	BC89-366	215		IX-95-39	BC96-331	375
QW-282	IX-83-125	BC84-151	81	QW-304.1	IX-83-128	BC84-226	83
	IX-89-54	BC89-367	220		IX-01-04	BC00-653	420
QW-282.4(h)	IX-89-59	BC90-250	222	QW-305	IX-89-108	BC91-157	256
QW-282.6(m)	IX-83-09	BC82-279	10	QW-306	IX-83-83	BC83-394	53
QW-283	IX-89-22	BC89-094	195		IX-83-107	BC83-550	67
QW-284	IX-95-42	BC97-044	377		IX-86-23	BC85-553	127
QW-300	IX-83-21	BC82-499	15		IX-92-26	BC91-470	273
	IX-86-25	BC86-018	128		IX-92-59	BC92-206	303
	IX-89-48	BC89-360	217		IX-92-68	BC92-011A	306
	IX-92-91	BC93-755	324	QW-310	IX-92-31	BC91-613	280
	IX-92-95	BC94-008	326	QW-310.1	IX-86-35	BC86-266	139
	IX-95-20	BC95-302	352	QW-310.2	IX-89-89	BC90-769	246
	IX-95-36	BC96-314	369	QW-310.4	IX-83-42	BC83-803	28
	IX-98-11	BC98-133	395	QW-310.5(c)	IX-83-70	BC83-270	42
	IX-98-14	BC98-447	397		IX-83-101	BC83-529	64
QW-300.1	IX-86-05	BC85-306	114	QW-311	IX-83-121	BC84-134	80
	IX-86-24	BC86-001	128	(New QW-381)	IX-83-132	BC84-366	85
	IX-86-25	BC86-018	128		IX-83-162	BC84-663	102
	IX-95-35	BC96-287	368		IX-86-27	BC86-061	129
QW-300.2	IX-83-133	BC84-370	86	QW-311(a)	IX-83-101	BC83-529	64
	IX-83-151	BC84-620	96	QW-312(a)	IX-83-134	BC84-396	86
	IX-86-64	BC86-395	154	QW-320	IX-86-24	BC86-001	128
	IX-89-10	BC88-398	186	QW-321	IX-83-13	BC82-346	12
	IX-92-25	BC91-415	272	QW-321.2(a)	IX-86-79	BC87-140	167
	IX-95-32	BC95-302	367	QW-321.3	IX-92-73	BC93-468	313
	IX-01-08	BC01-030	427	QW-322	IX-83-58	BC83-086	37
	IX-01-15	BC01-641	433		IX-83-113	BC84-055	71
QW-300.3	IX-92-39	BC92-121	283		IX-83-117	BC84-133	78
	IX-95-14	BC95-040	345		IX-83-124	BC84-149	81
	IX-95-19	BC95-221	352		IX-83-128	BC84-226	83
QW-301	IX-83-103	BC83-237	65		IX-83-154	BC84-689	97
	IX-86-69	BC87-088	156		IX-83-166	BC85-030	104
	IX-89-79	BC90-531	237		IX-83-167	BC85-031	104
	IX-92-17	BC91-315	268		IX-83-170	BC85-091	105
	IX-92-23	BC90-494	271		IX-86-07	BC85-560	115
QW-301.1	IX-83-153	BC84-664	97		IX-86-19	BC85-587	129
QW-301.2	IX-83-31	BC82-395	19		IX-86-50	BC86-389	144
	IX-83-149	BC84-558	95		IX-89-38	BC89-359	213
QW-301.4	IX-83-32	BC82-598	19		IX-89-54	BC89-367	220
	IX-83-163	BC85-022	102		IX-89-63	BC90-254	224
	IX-86-13	BC85-507	118		IX-92-12	BC91-264	266
	IX-86-90	BC88-091	176		IX-92-22	BC91-425	271
	IX-89-30	BC89-177	204		IX-92-64	BC92-464	305
QW-302.2	IX-86-34	BC86-265	138		IX-95-38	BC96-132	375
	IX-86-79	BC87-140	167	QW-322(a)	IX-83-150	BC84-617	96
QW-302.3	IX-89-64	BC90-297	225		IX-83-159	BC84-690	99
QW-302.4	IX-92-71	BC93-365	312		IX-83-164	BC85-023	103
	IX-95-17	BC95-035	351		IX-86-52	BC86-394	145
QW-303	IX-89-98	BC91-003	251		IX-86-81	BC87-242	173
	IX-92-15	BC91-293	267		IX-86-82	BC87-252	173
QW-303.1	IX-83-98	BC83-450	63		IX-89-27	BC89-100	203
	IX-83-155	BC84-692	98		IX-89-38	BC89-359	213
	IX-86-74	BC87-134	165		IX-89-54	BC89-367	220
QW-303.2	IX-92-45	BC92-238	292	QW-322.1(b)	IX-95-19	BC95-221	352
QW-303.3	IX-92-46	BC92-265	292	QW-322.2	IX-92-47	BC92-266	292
QW-304	IX-83-19	BC82-440	14	QW-322.2(a)	IX-01-12	BC01-201	430

<u>Location</u>	<u>Interpretation</u>	<u>File No.</u>	<u>Page No.</u>	<u>Location</u>	<u>Interpretation</u>	<u>File No.</u>	<u>Page No.</u>
Part QW (Cont'd)					IX-92-70R	BC00-470	425
QW-350	IX-86-51	BC86-390	145		IX-95-21	BC95-318	353
	IX-95-30	BC96-073	361	QW-403.6	IX-83-148	BC84-417	95
QW-351	IX-83-55	BC83-059	36		IX-89-07	BC88-171	184
	IX-83-77	BC83-253	49		IX-89-86	BC90-734	245
	IX-83-143	BC84-581	89		IX-89-96	BC90-872	250
	IX-89-02	BC88-090	181		IX-92-50	BC92-217	293
	IX-92-32	BC91-631	280		IX-92-87	BC93-151	323
QW-355	IX-86-12	BC85-482	117	QW-403.8	IX-83-97	BC83-444	62
	IX-86-46	BC86-219	143		IX-83-127	BC84-224	83
QW-356	IX-79-52R	BC79-046*	49	QW-403.9	IX-83-152	BC84-648	96
	IX-83-116	BC84-054	77	QW-403.10	IX-95-28	BC96-002	360
	IX-86-68	BC87-039	156		IX-95-33	BC96-001	367
	IX-92-01	BC90-501	285		IX-01-01	BC00-514	419
	IX-89-51	BC90-038	219	QW-403.11	IX-83-11	BC82-300	11
	IX-01-09	BC01-032	428		IX-83-35	BC82-599	25
QW-360	IX-86-68	BC87-039	156		IX-83-56	BC83-078	36
QW-361.2	IX-95-31	BC96-141	361		IX-86-75	BC87-136	165
	IX-98-14	BC98-447	397		IX-89-75	BC90-443	235
QW-364	IX-92-58	BC92-357	296		IX-89-84	BC90-664	244
QW-380	IX-89-71	BC90-039	233		IX-89-88	BC90-768	246
	IX-89-92	BC90-681,	248	QW-403.12	IX-89-61	BC90-252	223
		BC90-691		QW-403.16	IX-89-20	BC88-478	194
QW-381	IX-86-27	BC86-061	129		IX-89-82	BC90-531	243
	IX-86-58	BC86-457	152		IX-89-91	BC90-680	247
	IX-86-66	BC87-036	155	QW-403.18	IX-83-106	BC83-630	67
	IX-86-71	BC87-090	157		IX-83-137	BC84-399	87
	IX-92-72	BC93-392	312		IX-86-41	BC86-330	141
	IX-98-14	BC98-447	397	QW-404	IX-83-37	BC82-770	26
QW-382	IX-92-02	BC90-518	262		IX-86-03	BC85-293	114
	IX-92-04	BC90-530	263		IX-86-65	BC87-031A	155
QW-383	IX-86-32	BC86-222	138		IX-86-76	BC87-137	166
	IX-89-101	BC91-085	252		IX-89-105	BC91-119	254
QW-400	IX-83-82	BC83-303	52		IX-98-19	BC99-409	409
QW-401.15	IX-89-28	BC89-174	203	QW-404.4	IX-83-10	BC82-299	10
QW-402	IX-89-53	BC90-045	219		IX-83-87	BC83-340	54
QW-402.3	IX-86-54	BC86-400	146	QW-404.5	IX-83-176	BC85-088	107
QW-402.4	IX-89-28	BC89-174	203		IX-83-140R	BC84-250*	137
QW-402.5	IX-86-54	BC86-400	146		IX-86-57	BC86-263	151
QW-402.6	IX-83-04	BC82-098	8		IX-86-84	BC87-491	174
QW-402.10	IX-83-04	BC82-098	8		IX-89-34	BC89-172	211
	IX-83-71	BC83-230	43		IX-89-55	BC89-371	220
	IX-89-42	BC89-364	215	QW-404.9	IX-89-58	BC90-249	221
QW-402.11	IX-86-80	BC87-253	167		IX-83-46	BC82-751	31
QW-402.12	IX-98-06	BC98-009	389		IX-83-59	BC82-614	37
QW-402.14	IX-98-06	BC98-009	389		IX-83-61	BC82-831	39
QW-403	IX-83-20	BC82-496	14		IX-83-84	BC83-398	53
	IX-83-116	BC84-054	77		IX-83-96	BC83-442	62
QW-403.1	IX-83-45	BC82-385	30		IX-83-169	BC85-089	105
	IX-89-14	BC88-403	187		IX-95-37	BC96-315	369
	IX-95-24	BC95-194	359	QW-404.12	IX-92-21	BC91-397	270
QW-403.5	IX-83-92	BC83-530	56	QW-404.13	IX-83-06	BC82-245	9
	IX-83-135	BC84-397	87		IX-83-47	BC82-790	32
	IX-86-15	BC85-532	123		IX-83-97	BC83-444	62
	IX-86-75	BC87-136	165		IX-83-100	BC83-563	63
	IX-86-78	BC87-139	166	QW-404.14	IX-83-89	BC83-402	55
	IX-89-23	BC89-096	196		IX-89-68	BC90-349	227
	IX-89-26	BC89-103	197	QW-404.15	IX-89-47	BC89-370	217
	IX-89-75	BC90-443	235	QW-404.22	IX-83-22	BC82-516	15
	IX-89-78	BC90-515	236		IX-89-91	BC90-680	247
	IX-92-70	BC92-450	311	QW-404.25	IX-89-80	BC90-536	237

<u>Location</u>	<u>Interpretation</u>	<u>File No.</u>	<u>Page No.</u>	<u>Location</u>	<u>Interpretation</u>	<u>File No.</u>	<u>Page No.</u>
Part QW (Cont'd)				QW-410.9	IX-86-60	BC86-514A	152
QW-404.26	IX-89-80	BC90-536	237	QW-410.15	IX-86-44	BC86-365	142
QW-404.28	IX-83-100	BC83-563	63		IX-86-63	BC86-520	154
	IX-89-61	BC90-252	223	QW-410.25	IX-83-69	BC82-233	42
QW-404.30	IX-89-20	BC88-478	194	QW-410.26	IX-86-26	BC86-059	129
	IX-89-24	BC89-097	196	QW-410.42	IX-98-07	BC98-009	390
QW-404.31	IX-89-56	BC90-036	221	QW-410.51	IX-01-06R	BC98-240*	426
QW-404.32	IX-83-112	BC84-038	70	QW-415	IX-89-79	BC90-531	237
	IX-01-01	BC00-514	419		IX-89-82	BC90-531	243
QW-405.1	IX-89-20	BC88-478	194	QW-416	IX-86-72	BC87-091	158
	IX-89-24	BC89-097	196		IX-86-86	BC87-494	175
QW-405.2	IX-83-50	BC82-872	33	QW-420.2	IX-95-07	BC94-522	343
QW-405.3	IX-83-177	BC85-092	108		IX-01-07	BC01-029	427
	IX-86-86	BC87-494	175	QW-422	IX-83-34	BC82-514	25
	IX-92-01	BC90-501	285		IX-83-131	BC84-365	85
	IX-98-15	BC98-448	397		IX-86-88	BC88-041	176
QW-406.1	IX-83-161	BC84-618	101		IX-89-14	BC88-403	187
	IX-83-165	BC85-024	103		IX-89-36	BC89-357	212
QW-406.2	IX-83-161	BC84-618	101		IX-89-88	BC90-768	246
QW-406.3	IX-92-57	BC92-354	296		IX-92-08	BC91-257	265
QW-407	IX-83-130	BC84-252	84		IX-92-18	BC91-389	297
	IX-86-04	BC85-304	114		IX-95-05	BC94-365	336
	IX-86-20	BC86-010	125	QW-423	IX-86-17	BC85-554	124
	IX-86-76	BC87-137	166		IX-89-15	BC88-404	183
QW-407.1	IX-83-29	BC82-763	18		IX-92-18	BC91-389	297
	IX-83-30	BC82-243	18	QW-423.1	IX-89-58	BC90-249	221
	IX-98-10	BC97-306,	395		IX-92-65	BC93-148	305
		BC97-308		QW-424	IX-89-05	BC88-168	188
	IX-01-20	BC01-813	435		IX-89-26	BC89-103	197
QW-407.1(b)	IX-81-31R	BC82-097*	5		IX-89-41	BC89-363	214
	IX-86-47	BC86-223	143		IX-89-75	BC90-443	235
QW-407.2	IX-83-29	BC82-763	18		IX-89-88	BC90-768	246
	IX-83-86	BC83-294	54		IX-95-22	BC95-251	353
	IX-83-145	BC84-584	90	QW-424.1	IX-89-58	BC90-249	221
	IX-92-84	BC93-586	318	QW-432	IX-83-24	BC82-588	16
QW-407.4	IX-83-11	BC82-300	11		IX-80-52R	BC80-435*	49
	IX-83-35	BC82-599	25		IX-92-99	BC93-762,	327
	IX-86-23	BC85-553	127			BC93-769	
	IX-92-33	BC91-614	280		IX-98-08	BC98-131	390
	IX-01-17	BC01-615	434	QW-442	IX-89-46	BC89-369	216
QW-408	IX-89-16	BC88-405	188	QW-450	IX-83-14	BC82-302	12
	IX-95-11	BC95-002	344	QW-450 vs QW-461	IX-83-78	BC83-300	50
QW-408.2	IX-92-62	BC92-425	304	QW-451	IX-83-01	BC81-702	5
	IX-95-16	BC95-095	346		IX-83-05	BC82-237	8
QW-408.3	IX-86-67	BC87-038	155		IX-83-08	BC82-265	10
QW-408.8	IX-83-168	BC85-059	104		IX-83-36	BC82-757	25
QW-408.9	IX-83-146	BC84-619	90		IX-83-64	BC83-222	40
	IX-86-67	BC87-038	155		IX-83-104	BC83-349	66
QW-409	IX-83-26	BC82-182	17		IX-83-105	BC83-471	66
QW-409.1	IX-83-33	BC82-617	19		IX-83-141	BC84-434	89
	IX-83-175	BC85-038	107		IX-83-177	BC85-092	108
	IX-92-40	BC92-110	284		IX-86-31	BC86-101	137
	IX-92-69	BC92-228,	306		IX-89-07	BC88-171	184
		BC92-353			IX-89-62	BC90-253	224
	IX-92-87	BC93-151	323		IX-89-83	BC90-532	243
	IX-92-88	BC93-593	323		IX-89-99	BC91-022	251
QW-409.8	IX-89-19	BC88-476	194		IX-92-19	BC91-390	269
	IX-89-36	BC89-357	212		IX-92-34	BC91-586	281
	IX-92-88	BC93-593	323		IX-92-37	BC92-097	282
	IX-95-18	BC95-220	351		IX-92-68	BC92-011A	306
QW-410.7	IX-86-55	BC86-426	146		IX-98-03	BC97-479	383

<u>Location</u>	<u>Interpretation</u>	<u>File No.</u>	<u>Page No.</u>	<u>Location</u>	<u>Interpretation</u>	<u>File No.</u>	<u>Page No.</u>
Part QW (Cont'd)							
	IX-98-12	BC98-237, BC98-238	396		IX-98-05	BC98-009	389
QW-451.1	IX-83-18	BC82-423	14	QW-461.1(a)	IX-98-17	BC98-055	403
	IX-83-43	BC82-822	29	QW-461.9	IX-83-65	BC83-225	40
	IX-83-81	BC83-395	51		IX-83-28	BC82-748	18
	IX-83-88	BC83-396	54		IX-83-44	BC82-838	29
	IX-83-94	BC83-284	61		IX-83-53	BC83-002	35
	IX-83-102	BC83-551	65		IX-83-134	BC84-396	86
	IX-83-122	BC83-645	80		IX-86-29	BC86-103	130
	IX-86-36	BC86-280	139		IX-89-98	BC91-003	251
	IX-86-48	BC86-281	143		IX-92-15	BC91-293	267
	IX-89-18	BC88-474	193		IX-92-41	BC92-035	284
	IX-89-107	BC91-124	255		IX-92-46	BC92-265	292
QW-451.3	IX-86-40	BC86-329	141	QW-462	IX-92-72	BC93-392	312
	IX-92-51	BC92-276	294		IX-92-90	BC93-753	324
	IX-92-56	BC92-308	295		IX-86-09	BC85-200	116
QW-452	IX-83-07	BC82-246	9		IX-89-102	BC91-086	253
	IX-83-16	BC82-396	13	QW-462.1	IX-92-76	BC93-515	312
	IX-83-67	BC83-123	41		IX-95-02	BC94-181	333
	IX-83-104	BC83-349	66		IX-83-110	BC83-692	69
	IX-86-30	BC86-104	131		IX-92-29	BC91-473	279
	IX-86-39	BC86-299	140	QW-462.1(a)	IX-98-09	BC97-302	395
	IX-89-02	BC88-090	181		IX-86-45	BC86-366	142
QW-452.1	IX-83-66	BC83-058	41	QW-462.1(d)	IX-89-25	BC89-099	197
	IX-83-88	BC83-396	54		IX-83-139	BC83-629	88
	IX-83-90	BC83-407	55	QW-462.1(e)	IX-89-89	BC90-769	246
	IX-89-06	BC88-169	183	QW-462.3(a)	IX-83-95	BC83-301	61
	IX-89-21	BC89-031	195		IX-83-144	BC84-583	90
	IX-89-52	BC90-044	219	QW-462.3(b)	IX-89-72	BC90-042	233
	IX-89-64	BC90-297	225	QW-462.4	IX-83-144	BC84-583	90
	IX-89-95	BC90-869	250	QW-462.4(a)	IX-92-51	BC92-276	294
	IX-89-107	BC91-124	255	QW-462.4(b)	IX-95-08	BC94-543	343
	IX-92-35	BC91-277	281	QW-462.5	IX-89-45	BC89-368	216
	IX-92-36	BC91-616	282		IX-92-05	BC90-632	263
	IX-92-53	BC92-254	294	QW-462.5(a)	IX-92-52	BC92-252	294
	IX-92-59	BC92-206	303	QW-462.5(b)	IX-98-16	BC98-453	398
	IX-92-89	BC93-653	324	QW-463.1(b)	IX-83-15	BC82-388	13
QW-452.3	IX-83-22	BC82-516	15	QW-463.2(g)	IX-83-75	BC83-149	44
	IX-83-23	BC82-530	15	QW-466	IX-83-51	BC83-881	34
	IX-83-66	BC83-058	41		IX-92-48	BC92-267	293
	IX-83-158	BC84-368	99	QW-466.1	IX-92-49	BC92-268	293
	IX-86-29	BC86-103	130		IX-95-15	BC95-094	346
	IX-89-09	BC88-397	185		IX-83-73	BC82-866	43
	IX-89-69	BC90-401	227		IX-83-74	BC82-867	44
	IX-89-94	BC90-785	249	QW-466.3	IX-83-115	BC83-279	77
	IX-89-104	BC91-097	253		IX-89-37	BC89-358	212
	IX-89-106	BC91-120	254		IX-83-109	BC83-689	68
	IX-92-59	BC92-206	303	QW-482	IX-86-37	BC86-297	139
	IX-92-89	BC93-653	324		IX-86-14	BC85-483	123
	IX-95-04	BC94-296	335	QW-483	IX-89-01	BC88-042	181
QW-452.4	IX-92-45	BC92-238	292		IX-86-14	BC85-483	123
	IX-92-51	BC92-276	294	QW-484	IX-86-70	BC87-089	157
QW-452.6	IX-89-57	BC90-040	221	QW-492	IX-83-53	BC83-002	35
QW-453	IX-92-05	BC90-632	263		IX-86-16	BC85-533	124
	IX-92-72	BC93-392	312		IX-89-62	BC90-253	224
	IX-95-23	BC95-428	353	QW-500	IX-92-43	BC92-100	291
	IX-95-41	BC97-028	376	QW-510	IX-98-15	BC98-448	397
				QW-540	IX-01-14	BC01-332	433
					IX-01-11	BC01-089	429
					IX-01-11	BC01-089	429

SUBJECT INDEX

<u>Subject</u>	<u>Interpretation</u>	<u>File No.</u>	<u>Page No.</u>
Base Metals			
P-Number substitution	IX-83-20	BC82-496	14
	IX-83-56	BC83-078	36
	IX-83-96	BC83-442	62
	IX-86-17	BC85-554	124
	IX-86-18	BC85-585	125
	IX-89-29	BC89-176	204
	IX-89-61	BC90-252	223
	IX-89-75	BC90-443	235
	IX-95-21	BC95-318	353
	IX-95-22	BC95-251	353
	IX-95-24	BC95-194	359
qualifying for notch toughness	IX-83-92	BC83-530	54
	IX-86-48	BC86-281	143
	IX-89-75	BC90-443	235
	IX-89-84	BC90-664	244
	IX-89-96	BC90-872	250
	IX-92-70	BC92-450	311
	IX-92-70R	BC00-470	425
	IX-92-87	BC93-151	323
qualifying for test specimens	IX-89-37	BC89-358	212
	IX-89-88	BC90-768	246
thickness	IX-01-01	BC00-514	419
	IX-01-19	BC01-811	435
use of as filler metal	IX-83-87	BC83-340	56
Brazing Base Metals			
P-Number substitution	IX-92-74	BC93-474	313
Brazing Procedure Qualification			
by Part QW welding qualification	IX-92-83	BC93-527	317
electrode classification	IX-95-13	BC94-035	345
for attaching small penetrations	IX-86-73	BC86-332	159
qualification by proof test	IX-86-53	BC86-399	145
S-Number substitution	IX-92-93	BC93-752	325
Brazing Procedure Specification			
combination of thicknesses	IX-89-104	BC91-097	253
qualification of hard-facing	IX-92-83	BC93-527	317
recording information on BPS	IX-89-93	BC90-783	249
recording information on the Brazer or Brazing Operator			
Qualification Test	IX-89-94	BC90-785	249
requaification of	IX-86-22	BC85-531	126
Brazing Test Specimens			
butt and scarf joints	IX-89-49	BC89-372	218
positions	IX-92-85	BC93-655	318

<u>Subject</u>	<u>Interpretation</u>	<u>File No.</u>	<u>Page No.</u>
Certification			
of the PQR.	IX-83-03	BC82-056	7
of the WPS.	IX-83-03	BC82-056	7
Consumable Inserts			
addition/deletion.	IX-89-91	BC90-680	247
performance qualification.	IX-83-06	BC82-245	9
	IX-83-22	BC82-516	15
qualifying viewing windows.	IX-83-104	BC83-349	66
Cover Pass			
remelting of.	IX-83-89	BC83-402	55
Diameters, Pipe			
performance qualification.	IX-83-55	BC83-059	29
ranges listed on the WPS.	IX-83-44	BC82-838	36
	IX-89-82	BC90-531	243
Dust			
amount in powdered filler metal.	IX-83-09	BC82-279	10
Edition of Code.			
	IX-01-13	BC01-570	430
Essential Variables (see Variables)			
Filler Materials (see also SFA Specifications)			
change in electrode classification.	IX-83-84	BC83-303	53
	IX-89-61	BC90-252	223
	IX-92-21	BC91-397	270
	IX-98-19	BC99-409	409
change in wire classification.	IX-83-84	BC83-398	53
	IX-83-169	BC85-089	105
	IX-95-37	BC96-315	369
	IX-98-19	BC99-409	409
chemical analysis of weld deposit.	IX-86-57	BC86-263	151
electrode spacing.	IX-86-44	BC86-365	142
flux-cored consumable.	IX-89-105	BC91-119	254
nonferrous.	IX-83-176	BC85-088	107
qualifying as a welded buildup.	IX-83-114	BC84-070	71
supplementary powder, addition, deletion or increase.	IX-89-80	BC90-536	237
without SFA specification.	IX-86-03	BC85-293	114
Flux			
active/neutral.	IX-86-16	BC85-533	124
F-Numbers			
change in.	IX-83-10	BC82-299	10
	IX-89-28	BC89-174	203
classification.	IX-89-46	BC89-369	216
	IX-92-99	BC93-762	327
		BC93-769	327
classification of martensitic materials.	IX-83-24	BC82-588	16
use of electrodes to conform F-No.	IX-89-29	BC89-176	204
	IX-01-16	BC01-338	433
Interpass Temperatures			
listing of on the WPS.	IX-83-41	BC82-796	28
	IX-83-161	BC84-618	101
qualification of.	IX-83-41	BC82-796	28
	IX-83-129	BC84-251	84
Machine Welding			
definition of.	IX-92-43	BC92-100	291

<u>Subject</u>	<u>Interpretation</u>	<u>File No.</u>	<u>Page No.</u>
Multiprocess Welds			
qualified thickness range for performance qualification	IX-83-14	BC83-302	12
	IX-89-35	BC89-307	211
qualified thickness range for procedure qualification	IX-83-83	BC83-394	53
	IX-95-33	BC96-001	367
required test specimens for procedure qualification	IX-83-01	BC81-702	5
root pass without backing	IX-89-01	BC88-042	181
with notch-toughness requirements	IX-83-33	BC82-617	19
Nonessential Variables (see also Variables)			
addressing	IX-98-13	BC98-239	396
ranges for	IX-83-04	BC82-098	8
Normalized Materials *			
qualified by non-normalized materials	IX-83-86	BC83-294	54
Nozzle Joint Design			
base metal thickness	IX-86-31	BC86-101	137
Operational Control			
change in company name	IX-83-25	BC81-160	16
contractor's associations	IX-83-68	BC83-040	41
of welding procedures	IX-83-03	BC82-056	7
	IX-83-151	BC84-620	96
	IX-86-64	BC86-395	154
organizations not involved in Code applications	IX-83-39	BC82-792	26
Peel Test, Brazing			
acceptance criteria	IX-89-74	BC90-429	234
	IX-98-01	BC97-304	383
Performance Qualification			
A-number substitution	IX-86-84	BC87-491	174
	IX-89-29	BC89-176	204
	IX-92-18	BC91-389	297
alternate base materials for welder qualification	IX-92-18	BC91-389	297
	IX-92-65	BC93-148	305
applied lining or clad plate	IX-89-101	BC91-085	252
by several contractors simultaneously	IX-86-25	BC86-018	128
	IX-86-81	BC87-242	173
	IX-95-32	BC95-302	367
change in angle groove	IX-86-69	BC87-088	156
change in vertical welding	IX-92-01	BC90-501	285
combination of welding processes	IX-92-01	BC90-501	285
	IX-92-26	BC91-470	273
consumable inserts	IX-83-06	BC82-245	9
	IX-83-22	BC82-516	15
corrosion-resistant weld metal overlay	IX-86-32	BC86-222	138
	IX-86-58	BC86-457	152
	IX-86-66	BC87-036	155
	IX-89-79	BC90-531	237
	IX-89-71	BC90-039	233
	IX-92-72	BC93-392	312
	IX-95-23	BC95-428	353
	IX-95-30	BC96-073	361
	IX-98-14	BC98-447	397
diameter limitation	IX-89-09	BC88-397	185
	IX-89-69	BC90-401	227
	IX-89-98	BC91-003	251
	IX-89-104	BC91-097	253
	IX-89-106	BC91-120	254
	IX-92-15	BC91-263	267
	IX-92-41	BC92-035	284

<u>Subject</u>	<u>Interpretation</u>	<u>File No.</u>	<u>Page No.</u>
Performance Qualification (Cont'd)			
	IX-92-90	BC93-753	324
	IX-95-04	BC94-296	335
editorial correction to WPQ	IX-92-96	BC93-755	326
effective operational control of	IX-89-10	BC88-398	186
	IX-95-20	BC95-302	352
	IX-95-32	BC95-302	367
electrodes	IX-95-30	BC96-073	361
employer's responsibility	IX-01-15	BC01-641	433
fillet welds	IX-83-04	BC82-098	8
	IX-83-103	BC83-237	65
	IX-86-28	BC86-062	130
	IX-92-45	BC92-238	292
fillet welds qualified by groove welds	IX-83-16	BC82-396	13
	IX-83-98	BC84-450	63
	IX-86-74	BC87-134	165
	IX-89-31	BC89-178	204
	IX-89-87	BC90-745	245
F-Number qualification	IX-79-52R	BC79-046*	49
	IX-80-52R	BC80-435*	49
	IX-98-08	BC98-131	390
further training	IX-83-13	BC82-346	12
groove welds	IX-83-16	BC82-396	13
	IX-89-20	BC88-478	194
	IX-89-89	BC90-769	246
	IX-89-94	BC90-785	249
	IX-95-04	BC94-296	335
hard facing weld metal overlay	IX-92-02	BC90-518	262
	IX-95-23	BC95-428	353
machine welding	IX-95-31	BC96-141	361
macro examination	IX-92-24	BC91-280	272
maintenance of	IX-86-82	BC87-252	173
manual/machine welding substitution	IX-86-68	BC87-039	156
	IX-89-38	BC89-359	213
manual/semiautomatic welding substitution	IX-95-36	BC96-314	369
multiprocess	IX-83-14	BC82-302	12
	IX-83-107	BC83-550	67
	IX-86-13	BC85-507	118
	IX-86-23	BC85-553	127
	IX-86-39	BC86-299	140
operator variables	IX-83-163	BC85-022	102
	IX-86-05	BC85-306	114
partial-penetration groove welds	IX-83-155	BC84-692	98
P-Number substitutions	IX-83-40	BC82-794	27
	IX-83-42	BC82-803	28
	IX-83-63	BC83-122	40
	IX-83-70	BC83-270	42
	IX-83-116	BC84-054	77
	IX-83-137	BC84-399	87
	IX-86-17	BC85-554	124
	IX-86-18	BC85-585	125
	IX-86-41	BC86-330	141
	IX-86-51	BC86-390	145
	IX-86-72	BC87-091	158
	IX-89-15	BC88-404	188
	IX-89-33	BC89-175	205
position	IX-83-28	BC82-748	18
	IX-83-108	BC83-639	68
	IX-83-162	BC84-663	102
	IX-83-170	BC85-091	105
	IX-83-177	BC85-092	108
	IX-86-29	BC86-103	130
	IX-86-30	BC86-104	131

<u>Subject</u>	<u>Interpretation</u>	<u>File No.</u>	<u>Page No.</u>
Performance Qualification (Cont'd)			
	IX-86-35	BC86-266	139
	IX-89-24	BC89-097	196
	IX-89-40	BC89-362	214
	IX-89-98	BC91-003	251
	IX-92-15	BC91-263	267
	IX-92-41	BC92-035	284
	IX-92-46	BC92-265	292
	IX-92-90	BC93-753	324
process substitution	IX-86-46	BC86-219	143
qualification with and without backing	IX-92-96	BC94-102	326
	IX-01-09	BC01-032	428
questioning of ability	IX-86-24	BC86-001	128
records	IX-95-38	BC96-132	375
recording information on WPQ	IX-86-13	BC85-507	118
	IX-86-72	BC87-091	158
	IX-89-30	BC89-177	204
	IX-89-47	BC89-370	217
renewal of	IX-83-154	BC84-689	97
	IX-83-159	BC84-690	99
	IX-83-164	BC85-023	103
	IX-83-166	BC85-030	104
	IX-83-167	BC85-031	104
	IX-86-07	BC85-560	115
	IX-86-19	BC85-587	125
	IX-86-50	BC86-389	144
	IX-86-52	BC86-394	145
	IX-89-32	BC89-100	203
	IX-92-12	BC91-264	266
	IX-92-22	BC91-425	271
	IX-92-47	BC92-266	292
	IX-92-64	BC92-464	305
requalification after failure	IX-92-56	BC92-308	295
requalification after failure and further training	IX-92-73	BC93-468	313
requalification for friction weld operator	IX-92-58	BC92-357	296
requalifying for Addenda changes	IX-83-112	BC84-038	70
responsibility of	IX-83-21	BC82-499	15
	IX-83-100	BC83-563	63
	IX-83-101	BC83-529	64
	IX-83-106	BC83-630	67
	IX-83-113	BC83-055	71
	IX-83-117	BC84-133	78
	IX-83-121	BC84-134	80
	IX-83-124	BC84-149	81
	IX-83-128	BC84-226	83
	IX-83-131	BC84-365	85
	IX-83-132	BC84-366	85
	IX-83-133	BC84-370	86
	IX-83-134	BC84-396	86
	IX-92-25	BC91-415	272
	IX-98-14	BC98-447	397
revoking of qualification	IX-95-19	BC95-221	352
simultaneous qualification of welders	IX-92-39	BC92-121	283
	IX-95-14	BC95-040	345
special process	IX-89-92	BC90-681,	248
		BC90-691	
strip electrodes	IX-95-30	BC96-073	361
test coupon qualification	IX-92-31	BC91-613	280
test specimen movement	IX-86-77	BC87-138	166
thickness limitation	IX-83-90	BC83-407	55
	IX-83-158	BC84-368	99
	IX-89-02	BC88-090	181
	IX-89-24	BC89-097	196

<u>Subject</u>	<u>Interpretation</u>	<u>File No.</u>	<u>Page No.</u>
Performance Qualification (Cont'd)			
	IX-89-32	BC89-287	205
	IX-89-64	BC90-297	225
	IX-89-83	BC90-532	243
	IX-89-95	BC90-869	250
	IX-89-96	BC90-872	250
	IX-92-36	BC91-616	282
	IX-92-35	BC91-277	281
	IX-92-32	BC91-631	280
	IX-92-51	BC92-276	294
	IX-92-59	BC92-206	303
	IX-95-23	BC95-428	353
	IX-95-28	BC96-002	360
	IX-98-05	BC98-009	389
	IX-98-17	BC98-055	403
type of tests required.....	IX-92-17	BC91-315	268
	IX-92-23	BC90-494	270
using radiography.....	IX-83-19	BC82-440	14
	IX-83-52	BC83-001	34
	IX-83-57	BC83-079	36
	IX-83-91	BC83-528	56
	IX-83-142	BC84-548	89
	IX-83-173	BC85-013	106
	IX-83-174	BC84-557	107
	IX-86-34	BC86-265	138
	IX-86-79	BC87-140	167
	IX-86-85	BC87-492	174
	IX-89-21	BC89-031	195
ultrasonic examination.....	IX-95-35	BC96-287	368
visual examination.....	IX-92-71	BC93-365	312
	IX-95-17	BC95-035	351
	IX-01-03	BC00-519	420
visual inspection.....	IX-89-50	BC90-035	218
welder/operator.....	IX-89-48	BC89-360	217
	IX-89-51	BC90-038	219
	IX-89-57	BC90-040	221
	IX-89-63	BC90-254	224
	IX-89-108	BC91-157	256
	IX-95-39	BC96-331	375
	IX-98-11	BC98-133	395
	IX-98-14	BC98-447	397
welder/operator identification.....	IX-83-138	NI84-058	88
welding of joint by more than one welder.....	IX-89-06	BC88-169	183
when welding PQR coupon.....	IX-83-31	BC82-395	19
	IX-86-90	BC88-091	176
	IX-89-48	BC89-360	217
with a tube end gun.....	IX-83-67	BC83-123	41
with/without backing.....	IX-83-168	BC85-059	104
	IX-86-23	BC85-553	127
plasma arc welding.....	IX-89-40	BC89-362	214
P-Numbers			
chemical analysis/mechanical properties of.....	IX-86-88	BC88-041	176
classification of.....	IX-83-156	BC84-697	98
	IX-92-08	BC91-257	265
	IX-95-05	BC94-365	336
welding of non-pressure retaining attachments.....	IX-89-05	BC88-168	183
Positions, Brazing			
qualification of flow positions.....	IX-86-02	BC85-292	113
Positions, Welding			
fillet welds in vertical-up progression.....	IX-83-82	BC83-303	52

<u>Subject</u>	<u>Interpretation</u>	<u>File No.</u>	<u>Page No.</u>
Positions, Welding (Cont'd)			
listing on the WPS.....	IX-83-44	BC82-830	29
qualification of 2G position.....	IX-83-75	BC83-149	44
recording welder qualification for.....	IX-83-53	BC83-002	35
vertical-up progression.....	IX-83-50	BC82-872	33
	IX-86-86	BC87-494	175
Postweld Heat Treatment			
addition of.....	IX-86-47	BC86-223	143
change in soaking time.....	IX-83-130	BC84-252	84
change in base metal thickness.....	IX-92-33	BC91-614	280
limit on maximum time.....	IX-83-145	BC84-584	90
reporting results.....	IX-98-10	BC97-306, BC97-308	395
temperature ranges.....	IX-81-30R IX-83-30	BC82-097* BC82-243	5 18
transformation temperatures.....	IX-83-11 IX-86-23 IX-86-76	BC82-300 BC85-553 BC87-137	11 127 166
versus post heating.....	IX-01-20 IX-83-29 IX-86-20	BC01-813 BC82-763 BC86-010	435 18 125
when lower critical temperature has been exceeded.....	IX-83-35	BC82-599	25
Preheat Temperature			
maintenance of.....	IX-83-82 IX-83-161	BC83-303 BC84-618	52 101
Procedure Qualification			
acceptance criteria.....	IX-01-18	BC01-772	435
equipment.....	IX-95-42	BC97-044	377
essential variables.....	IX-89-54 IX-89-59 IX-01-06 IX-89-23	BC89-367 BC90-250 BC98-240 BC89-096	220 222 421 196
impact testing.....	IX-89-23	BC89-096	196
joints.....	IX-98-06	BC98-009	389
limits of qualified positions for procedures.....	IX-95-13	BC94-035	345
liquid penetrant examination.....	IX-92-13 IX-95-23	BC91-278 BC95-428	267 353
nonessential variables.....	IX-98-13 IX-01-05	BC98-239 BC00-654	396 420
partial penetration groove welds.....	IX-89-62 IX-95-03	BC90-253 BC94-235	224 334
seal welds.....	IX-98-15	BC98-448	397
subcontracting.....	IX-92-78	BC93-561	315
substrate deposit.....	IX-95-34	BC96-060	368
tension tests.....	IX-95-09	BC94-570	344
variables.....	IX-89-79 IX-92-40	BC90-531 BC92-110	237 284
weld repair and buildup tests.....	IX-95-03	BC94-235	334
Procedure Qualification Record			
additions/corrections to.....	IX-83-171	BC85-132	105
applied lining.....	IX-92-20	BC91-396	270
certification of.....	IX-83-03	BC82-056	7
combining PQRs.....	IX-83-47 IX-86-15 IX-89-40 IX-92-42 IX-92-59 IX-92-68 IX-92-95	BC82-790 BC85-532 BC89-362 BC92-011 BC92-206 BC92-011A BC94-008	32 123 214 291 303 306 326
corrosion-resistant weld metal overlay, chemical analysis.....	IX-89-77	BC90-492	233

<u>Subject</u>	<u>Interpretation</u>	<u>File No.</u>	<u>Page No.</u>
Procedure Qualification Record (Cont'd)			
	IX-89-71	BC90-039	236
	IX-92-05	BC90-632	263
	IX-92-06	BC91-054	264
	IX-92-28	BC91-472	273
	IX-92-52	BC92-252	294
	IX-92-54	BC92-305	295
	IX-95-41	BC97-028	376
	IX-98-16	BC98-453	398
dissimilar base metal thicknesses	IX-92-11	BC91-263	266
		BC92-011B,	306
		BC92-228	
	IX-95-12	BC95-027	345
	IX-98-20R	BC99-539*	426
electrical characteristics	IX-92-88	BC93-593	325
groove and fillet welds	IX-92-11	BC91-263	266
	IX-92-37	BC92-097	282
	IX-92-34	BC91-586	281
	IX-95-28	BC96-002	360
hardfacing overlay, examination	IX-89-77	BC90-492	236
	IX-92-03	BC90-523	262
	IX-92-04	BC90-530	263
	IX-95-23	BC95-428	353
	IX-95-34	BC96-060	368
	IX-98-16	BC98-453	398
information on	IX-86-70	BC87-089	157
	IX-89-16	BC88-405	188
listing of backing	IX-86-33	BC82-262	138
listing of preheat temperature	IX-83-165	BC85-024	103
listing of shielding gas purity	IX-95-11	BC95-002	344
macro examination	IX-92-24	BC91-280	272
manufacturer's or contractor's responsibility	IX-89-73	BC90-319	234
	IX-92-07	BC91-156	264
	IX-92-09	BC91-260	265
	IX-92-16	BC91-314	268
	IX-92-25	BC91-415	272
	IX-92-66	BC93-377	305
	IX-92-67	BC93-391	306
	IX-92-80	BC92-584	316
	IX-92-81	BC92-306	316
	IX-92-92	BC93-678	325
	IX-95-25	BC95-252	359
	IX-95-26	BC95-303	359
	IX-95-27	BC95-482	360
	IX-95-29	BC95-302	360
	IX-95-40	BC93-431,	376
		BC95-222	
	IX-98-18	BC99-025	403
meeting requirements of older editions	IX-83-99	BC83-472	63
	IX-83-148	BC84-417	95
	IX-92-86	BC93-658	318
notch toughness testing	IX-86-75	BC87-136	165
	IX-86-78	BC87-139	166
	IX-92-50	BC92-217	293
oscillation	IX-98-07	BC98-009	390
recording test results	IX-83-26	BC82-182	12
	IX-83-139	BC83-629	88
	IX-83-172	BC85-135	106
	IX-83-175	BC85-038	107
requalifying	IX-89-56	BC90-036	221
	IX-89-58	BC90-249	221
	IX-92-62	BC92-425	304
	IX-92-97	BC94-167	327

<u>Subject</u>	<u>Interpretation</u>	<u>File No.</u>	<u>Page No.</u>
Procedure Qualification Record (Cont'd)			
revising WPSs	IX-92-57	BC92-354	296
special process	IX-89-92	BC90-681, BC90-691	248
	IX-92-44	BC92-168	291
supporting WPSs	IX-92-84	BC93-586	318
	IX-95-21	BC95-318	353
	IX-95-22	BC95-251	353
	IX-98-04	BC97-481	384
	IX-01-17	BC01-615	434
thickness limits and test specimens	IX-92-19	BC91-390	269
	IX-92-53	BC92-254	294
	IX-92-89	BC93-653	324
	IX-95-23	BC95-428	353
	IX-98-03	BC97-479	383
	IX-98-05	BC98-009	389
	IX-98-07	BC98-009	390
	IX-98-17	BC98-055	403
	IX-01-01	BC00-514	419
types of test required	IX-92-17	BC91-315	268
visual examination	IX-01-10	BC01-073	428
Process			
definition of	IX-83-58	BC83-086	37
performance qualification	IX-83-69	BC83-233	42
variables for	IX-86-12	BC85-482	117
Production Welds			
liquid penetrant examination	IX-92-13	BC91-278	267
Qualified Thickness Range			
performance			
for different positions	IX-83-23	BC82-530	15
	IX-86-30	BC86-104	131
for dissimilar base metal thicknesses	IX-83-123	BC84-092	80
	IX-89-37	BC89-358	212
for hardfacing overlay	IX-92-05	BC90-632	263
	IX-98-05	BC98-009	389
for pipe	IX-83-66	BC83-058	41
	IX-86-29	BC86-103	130
for weld overlays	IX-83-101	BC83-529	64
	IX-86-27	BC86-061	129
weld reinforcement	IX-83-07	BC82-246	9
	IX-83-143	BC84-581	89
procedure			
changes in later editions	IX-83-88	BC83-396	54
effect of PWHT	IX-83-11	BC82-300	11
for brazed laps	IX-83-49	BC82-871	33
	IX-86-21	BC86-058	126
for cladding	IX-83-48	BC82-870	32
	IX-98-16	BC98-453	398
for double-bevel groove welds	IX-83-90	BC83-407	55
for dissimilar base metal thickness	IX-86-89	BC88-089	176
for groove welds	IX-89-100	BC90-663	252
	IX-89-100R	BC90-663*	261
	IX-98-03	BC97-479	383
for hardfacing overlay	IX-92-05	BC90-632	263
	IX-98-05	BC98-009	389
	IX-98-16	BC98-453	398
for multiprocess procedures	IX-83-83	BC83-394	53
	IX-83-126	BC84-221	82
for notch toughness	IX-89-86	BC90-734	245
for weld repair	IX-83-93	BC83-531	56

<u>Subject</u>	<u>Interpretation</u>	<u>File No.</u>	<u>Page No.</u>
Qualified Thickness Range (Cont'd)			
	IX-83-126	BC84-221	82
	IX-83-141	BC84-434	89
	IX-86-28	BC86-062	130
impact testing.....	IX-83-81	BC83-395	51
limitation when using GMAW-S.....	IX-83-18	BC82-423	14
	IX-95-33	BC96-001	367
	IX-95-28	BC96-002	360
limitations for combined procedures.....	IX-83-80	BC83-388	50
	IX-95-33	BC96-001	367
limitations of QW-451.....	IX-83-102	BC83-551	65
	IX-83-152	BC84-648	96
	IX-86-36	BC86-280	139
	IX-89-83	BC90-532	243
minimum for weld metal.....	IX-83-81	BC83-395	51
	IX-89-39	BC89-361	213
ranges qualified by PQR.....	IX-83-36	BC82-757	25
	IX-83-64	BC83-222	40
	IX-89-11	BC88-399	186
	IX-01-12	BC01-201	430
thickness for determining weld reinforcement.....	IX-83-05	BC82-237	8
	IX-83-08	BC82-265	10
thickness used to determine range.....	IX-83-94	BC83-284	61
	IX-86-43	BC86-337	142
	IX-89-18	BC88-474	193
Records (see also Procedure Qualification Record)			
maintenance of performance qualification.....	IX-83-32	BC82-598	19
	IX-92-55	BC92-307	295
	IX-01-08	BC01-030	427
Root Gap			
qualification of.....	IX-83-71	BC83-230	43
use of term.....	IX-83-04	BC82-098	8
SFA Specifications			
AWS classification change.....	IX-83-147	BC84-249	95
change of designations in a classification.....	IX-83-59	BC82-614	37
change of electrode classification.....	IX-83-61	BC82-831	39
	IX-89-13	BC88-402	187
	IX-92-21	BC91-397	270
Chemistry deviation.....	IX-89-08	BC88-172	185
classification listed in AWS specification.....	IX-92-94	BC93-754	326
electrode classification.....	IX-89-76	BC90-466	235
	IX-95-13	BC94-035	345
electrode spacing.....	IX-86-63	BC86-520	154
heat treatment conditions.....	IX-83-46	BC82-751	31
mechanical tests.....	IX-89-97	BC90-873	251
use of.....	IX-83-27	BC82-713	17
use of different electrode brands.....	IX-86-65	BC87-031A	155
use of powdered filler metal.....	IX-92-61	BC92-422	304
Shielding Gases			
procedure qualification using.....	IX-83-02	BC81-704	6
	IX-92-62	BC92-425	304
purity.....	IX-95-11	BC95-002	344
SI Units			
use of.....	IX-83-85	BC83-003	53
S-Numbers			
qualification.....	IX-92-98	BC94-236	327
	IX-95-07	BC94-522	343

<u>Subject</u>	<u>Interpretation</u>	<u>File No.</u>	<u>Page No.</u>
Standard Welding Procedure Specifications (SWPSs)			
use of	IX-01-11	BC01-089	429
	IX-01-14	BC01-332	433
Supplementary Essential Variables (see also Variables)			
qualifying changes in	IX-83-79	BC83-358	50
	IX-83-122	BC83-645	80
	IX-83-135	BC84-397	87
Test Specimens			
acceptance criteria for bend specimens	IX-83-60	BC82-749	38
	IX-83-115	BC83-279	77
	IX-86-61	BC86-515	153
	IX-89-52	BC90-044	219
	IX-95-15	BC95-094	346
acceptance criteria for section test	IX-83-76	BC83-248	44
	IX-83-120	BC83-474	79
bending of	IX-83-51	BC82-881	34
brazing joint clearance	IX-86-11	BC85-420	117
calibration of testing machines	IX-83-109	BC83-689	68
cold straightening of	IX-83-60	BC82-749	38
corrosion-resistant overlay	IX-92-05	BC90-632	263
	IX-92-60	BC92-421	303
determining coupon thickness	IX-83-77	BC83-253	49
	IX-83-78	BC83-300	50
	IX-83-143	BC84-581	89
dimensions recorded on PQR	IX-83-26	BC82-182	17
	IX-83-144	BC84-583	90
face and root bends, transverse	IX-89-72	BC90-042	233
failure of	IX-83-153	BC84-664	97
	IX-86-09	BC85-200	116
fillet welds	IX-95-08	BC94-543	343
for multiprocess welds	IX-83-43	BC82-822	29
for peel or section tests	IX-83-76	BC83-248	44
grinding of overlay specimens	IX-83-60	BC82-749	38
guided-bend tests	IX-92-10	BC91-261	265
	IX-95-15	BC95-094	346
	IX-98-12	BC98-237,	396
		BC98-238	
longitudinal bend	IX-89-107	BC91-124	255
mandrel size	IX-83-74	BC82-867	44
	IX-86-71	BC87-090	157
method of restraint	IX-86-37	BC86-297	139
	IX-86-38	BC86-298	140
minimum weld metal deposit thickness	IX-92-68	BC92-011	306
nondestructive testing of	IX-86-83	BC87-489A	174
number of tension test specimens	IX-92-37	BC92-097	282
partial penetration	IX-89-99	BC91-022	251
product form	IX-86-40	BC86-329	141
	IX-89-07	BC88-171	184
qualification of	IX-89-45	BC89-368	216
	IX-92-29	BC91-473	279
reduced section	IX-83-65	BC83-225	40
	IX-89-25	BC89-099	197
	IX-89-90	BC90-532	247
	IX-92-76	BC93-515	314
	IX-92-79	BC93-583	315
removal	IX-83-15	BC82-388	13
	IX-83-119	BC84-253	79
	IX-92-79	BC93-583	315
roll planishing	IX-86-26	BC86-059	129
size of specimen required	IX-83-38	BC82-771	26
	IX-83-73	BC82-866	43

<u>Subject</u>	<u>Interpretation</u>	<u>File No.</u>	<u>Page No.</u>
Test Specimens (Cont'd)			
tension, full section for small diameter pipe	IX-86-45	BC86-366	142
tension, reduced section for lap and rabbet joints, plate	IX-89-103	BC91-096	253
tension test results	IX-89-81	BC90-537	237
	IX-92-14	BC91-279	267
	IX-92-63	BC92-452	304
	IX-95-06	BC94-542	336
	IX-95-09	BC94-570	344
	IX-98-09	BC97-302	395
test jig dimensions for bend tests	IX-92-48	BC92-267	293
	IX-92-49	BC92-268	293
tolerances	IX-95-02	BC94-181	333
transverse bend	IX-89-107	BC91-124	255
using radiography	IX-83-157	BC84-700	98
	IX-86-62	BC86-517	153
	IX-01-04	BC00-653	420
visual requirements	IX-83-149	BC84-558	95
	IX-01-04	BC00-653	420
Unlisted Materials (Non-Code Material)			
A-Number classification	IX-83-140R	BC84-250*	137
	IX-89-46	BC89-369	216
	IX-89-55	BC89-371	220
P-Numbers for	IX-83-34	BC82-514	25
	IX-83-62	NI83-004	39
	IX-83-115	BC83-279	77
	IX-83-131	BC84-365	85
identifying welding electrodes in cartons	IX-89-65	BC90-289	225
qualification of	IX-83-45	BC82-385	30
	IX-83-136	BC84-398	87
	IX-95-21	BC95-318	353
	IX-95-22	BC95-251	353
SAW flux/wire combinations	IX-83-46	BC82-751	31
use of filler metals	IX-83-25	BC81-160	16
	IX-86-76	BC87-137	166
Variables			
changes to the WPS	IX-83-54	BC83-042	35
	IX-89-70	BC90-430	227
flexible welding back-up tape	IX-86-80	BC87-253	167
listing on the WPS	IX-83-03	BC82-056	7
	IX-86-14	BC85-483	126
	IX-89-82	BC90-531	243
	IX-89-85	BC90-671	244
ranges demonstrated on the PQR	IX-83-40	BC82-794	27
recording on the PQR	IX-83-26	BC82-182	17

Welder Qualification (see Performance Qualification Testing)

Welding Operator Qualification (see Performance Qualification Testing)

<u>Subject</u>	<u>Interpretation</u>	<u>File No.</u>	<u>Page No.</u>
Welding Procedure Specification			
certification	IX-83-03	BC82-056	7
	IX-89-43	BC89-365	215
changes in	IX-83-37	BC82-770	26
	IX-83-118	BC84-183	78
	IX-83-125	BC84-151	81
	IX-83-150	BC84-617	96
	IX-86-67	BC87-038	155
	IX-92-30	BC91-587	279
combination of processes	IX-83-164	BC85-023	103
	IX-86-01	BC85-036	113
	IX-86-06	BC85-328	115
	IX-86-23	BC85-553	127
	IX-86-56	BC86-429	146
	IX-86-60	BC86-514A	152
	IX-86-87	BC87-490A	175
	IX-89-26	BC89-103	197
	IX-89-67	BC90-335	226
	IX-95-10	BC94-662	344
combining of	IX-86-08	BC85-134	116
	IX-92-75	BC93-490	313
	IX-92-77	BC93-518	314
electrical characteristics	IX-95-18	BC95-220	351
for corrosion-resistant weld metal overlay	IX-86-59	BC86-458	152
	IX-89-12	BC88-401	187
	IX-95-41	BC97-028	376
for weld repair/buildup	IX-83-160	BC84-219	100
information recorded on	IX-83-127	BC84-224	83
	IX-86-04	BC85-304	114
	IX-86-10	BC85-307	117
	IX-86-14	BC85-483	123
	IX-86-54	BC86-400	146
	IX-89-03	BC88-166A	182
	IX-89-16	BC88-405	188
	IX-89-19	BC88-476	194
	IX-95-11	BC95-002	344
manufacturer's and contractor's responsibility	IX-89-73	BC90-319	234
	IX-92-07	BC91-156	264
	IX-92-80	BC93-584	316
	IX-92-81	BC92-306	316
	IX-95-25	BC95-252	359
	IX-95-26	BC95-303	359
	IX-95-27	BC95-482	360
	IX-95-29	BC95-302	360
	IX-95-40	BC93-431,	376
		BC95-222	
	IX-01-02	BC00-553	419
	IX-98-02	BC97-309	383
meeting requirements of older editions	IX-92-86	BC93-158	318
P-Number	IX-89-36	BC89-357	212
	IX-89-58	BC90-249	221
qualification	IX-89-04	BC88-167	182
	IX-89-35	BC89-307	211
	IX-89-66	BC90-281	226
	IX-95-01	BC94-104	333
requaification of	IX-89-14	BC88-403	187
	IX-89-42	BC89-364	215
	IX-89-17	BC88-473	193
	IX-89-41	BC89-363	214
	IX-89-54	BC89-367	220
	IX-92-38	BC91-630	283
	IX-95-04	BC94-296	335
	IX-95-16	BC95-095	346

<u>Subject</u>	<u>Interpretation</u>	<u>File No.</u>	<u>Page No.</u>
Welding Procedure Specification (Cont'd)			
short circuiting mode	IX-95-28	BC96-002	360
	IX-95-33	BC96-001	367
supplied to welder.....	IX-83-17	BC82-422	13
support of.....	IX-83-146	BC84-619	90
	IX-86-42	BC86-331	141
	IX-86-55	BC86-426	146
	IX-89-26	BC89-103	197
	IX-89-68	BC90-349	227
use for an unassigned material.....	IX-89-41	BC89-363	214
	IX-01-07	BC01-029	427
use of at job sites	IX-83-12	BC82-341	11
use of by subcontractor.....	IX-86-49	BC86-367	144
weld joint.....	IX-89-53	BC90-045	219
	IX-95-01	BC94-104	333









ASME Boiler and Pressure Vessel Code
SECTION IX

INTERPRETATIONS
Volume 49

The Interpretations to the Code will be issued twice a year (July and December) up to the publication of the 2004 Edition of the Code. The Interpretations for each individual Section are published separately and are part of the update service to that Section; Interpretations of Section III, Divisions 1 and 2, are part of the update service to Section III, Subsection NCA.

Interpretations Volumes 42 through 47 were included with the update service to the 1998 Edition of the Code; Volume 48 is the first Interpretations volume to be included with the update service to the 2001 Edition.

Section	Vol. 48	Vol. 49	Vol. 50	Vol. 51	Vol. 52	Vol. 53
I	7/01	12/01				
II-A	7/01	12/01				
II-B	7/01	12/01				
II-C	...	12/01				
II-D	...	12/01				
III-NCA	7/01	12/01				
III-3	...	12/01				
IV	7/01	12/01				
V	...	12/01				
VI	...	12/01				
VII	...	12/01				
VIII-1	7/01	12/01				
VIII-2	...	12/01				
VIII-3	7/01	12/01				
IX	7/01	12/01				
X	...	12/01				
XI	7/01	12/01				



S09011

Copyright © 2001
THE AMERICAN SOCIETY OF MECHANICAL ENGINEERS
All Rights Reserved

INTERPRETATIONS

VOLUME 49 — SECTION IX

Replies to Technical Inquiries
January 1, 2001 through June 30, 2001

FOREWORD

General Information

This publication includes all written interpretations issued between the indicated dates by the ASME Staff on behalf of the ASME Boiler and Pressure Vessel Committee in response to inquiries concerning interpretations of the ASME Boiler and Pressure Vessel Code. A contents is also included which lists subjects specific to the interpretations covered in the individual volume.

These interpretations are taken verbatim from the original letters, except for a few typographical and editorial corrections made for the purpose of improved clarity. In some instances, a review of the interpretation revealed a need for corrections of a technical nature. In these cases, a revised interpretation is presented bearing the original Interpretation Number with the suffix R and the original file number with an asterisk. Following these revised interpretations, new interpretations and revisions to them issued during the indicated dates are assigned Interpretation Numbers in chronological order. Interpretations applying to more than one Code Section appear with the interpretations for each affected Section.

ASME procedures provide for reconsideration of these interpretations when or if additional information is available which the inquirer believes might affect the interpretation. Further, persons aggrieved by an interpretation may appeal to the cognizant ASME committee or subcommittee. As stated in the Statement of Policy in the Code documents, ASME does not "approve," "certify," "rate," or "endorse" any item, construction, proprietary device, or activity.

An interpretation applies either to the Edition and Addenda in effect on the date of issuance of the interpretation or the Edition and Addenda stated in the interpretation. Subsequent revisions to the Code may supersede the interpretation.

For detailed instructions on preparation of technical inquiries to the ASME Boiler and Pressure Vessel Committee, refer to Appendix A.

Subject and Numerical Indexes

Subject and numerical indexes have been prepared to assist the user in locating interpretations by subject matter or by location in the Code. They cover interpretations issued from Volume 12 up to and including the present volume, and will be updated with each volume.

SECTION IX

<u>Subject</u>	<u>Interpretation</u>	<u>File No.</u>
QW-144 and QW-194, Visual Examination	IX-01-10	BC01-073
QW-202.4(b), Dissimilar Base Metal Thickness	IX-98-20R	BC99-539*
QW-300.2, Transfer of Record of Performance Qualification	IX-01-08	BC01-030
QW-322.2(a) and QW-452.1, Rule Change Affecting Welder Qualification	IX-01-12	BC01-201
QW-356, Welding Variables	IX-01-09	BC01-032
QW-403.5, Base Materials	IX-92-70R	BC00-470
QW-410.51, Addition/Deletion of Oscillation (1998 and Earlier Editions)	IX-01-06R	BC98-240*
QW-420.2, Material Grouping	IX-01-07	BC01-029
QW-510 and QW-540 in Article V, Standard Welding Procedure Specifications	IX-01-11	BC01-089
References to Edition and Addenda	IX-01-13	BC01-570

Interpretation: IX-92-70R

Subject: QW-403.5, Base Metals

Date Issued: June 4, 2001

File: BC00-470

Question (1): When a procedure qualification with supplemental notch toughness requirement is conducted with one P-Number material having multiple certifications in different Group Numbers, are WPSs qualified for all combinations of the Group Numbers?

Reply (1): Yes.

Question (2): In the above question, does one set of HAZ impact specimens, when required, satisfy the requirements of Section IX?

Reply (2): Yes.

Question (3): When a procedure qualification with supplemental notch toughness requirement is conducted with two materials of different P-Number each having multiple certifications in different Group Numbers, are WPSs qualified for all combinations of the multiple certified Group Number of the first P-Number material to the multiple certified Group Number of the second P-Number material?

Reply (3): Yes.

Question (4): In the above question, does one set of HAZ impact specimens from each P-Number material, when required, satisfy the requirement of Section IX?

Reply (4): Yes.

Question (5): In Question (3), are materials from the multiple certified Group Numbers qualified for welding a P-Number material to itself?

Reply (5): No.

Note: The term "multiple certifications" as used means any material for which a material test report indicates that the material meets all the requirements of two or more specifications, grades, types, or classes.

Interpretation: IX-98-20R

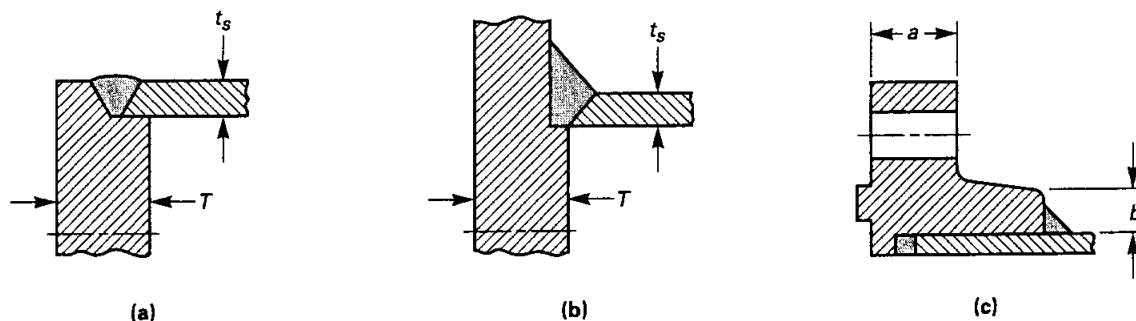
Subject: QW-202.4(b), Dissimilar Base Metal Thickness

Date Issued: June 8, 2000

File: BC99-539*

Question: When welding a corner joint with dissimilar base metal thickness, the thickness of both members must be within the qualified thickness range of the WPS(s) being used. How is the thickness for the thicker member defined in sketches (a), (b), and (c) below?

Reply: For sketch (a), the thicker of T or t_s . For sketch (b), the thicker of T or T_s , for sketch (c), the thicker of flange a or hub b .

**Interpretation: IX-01-06R**

Subject: QW-410.51, Addition/Deletion of Oscillation (1998 and Earlier Editions)

Date Issued: February 9, 2001

File: BC98-240*

Background: QW-410.51, addition or deletion of oscillation is an essential variable for GTAW hard-facing. QW-410.1, addition or deletion of weave bead is not a variable for the GTAW hard-facing process.

Question: Is it the intent of Section IX that a PQR developed with a machine or automatic GTAW hard-facing process, with or without oscillation, may be used to qualify a WPS for a manual, or a semiautomatic GTAW hard-facing process, with or without weave?

Reply: Yes. Note that recent actions by Section IX have defined oscillation as applicable to machine and automatic processes and weave as applicable to manual and semiautomatic processes.

Interpretation: IX-01-07

Subject: QW-420.2, Material Grouping

Date Issued: February 23, 2001

File: BC01-029

Background: A PQR is qualified on a P-Number X material to a P-Number Y material.

Question (1): Does this PQR support a WPS for welding P-Number X to S-Number Y without changes to any other essential variables?

Reply (1): Yes.

Question (2): Does this PQR support a WPS for welding S-Number X to S-Number Y without changes to any other essential variables?

Reply (2): Yes.

Interpretation: IX-01-08

Subject: QW-300.2, Transfer of Record of Performance Qualification

Date Issued: February 26, 2001

File: BC01-030

Question: When a new owner acquires a company or part of a company, does QW-300.2 prohibit continued use of existing welder performance qualifications?

Reply: No. Section IX does not address rules applicable to performance qualification continuity when a new owner acquires a manufacturer or contractor. If welder performance qualification continuity is to be maintained by the new owner, the Quality Control System/Quality Assurance Program should reflect to the source of the welder performance qualification records as being from the former manufacturer or contractor.

Interpretation: IX-01-09

Subject: QW-356, Welding Variables

Date Issued: February 26, 2001

File: BC01-032

Question: A welder was qualified on P-No. 1 material using the GTAW process without gas backing using F-No. 6 filler material. Is he qualified to weld P-No. 8 material using the GTAW process with gas backing using F-No. 6 filler material, provided all other essential variables remain the same?

Reply: Yes.

Interpretation: IX-01-10

Subject: QW-144 and QW-194, Visual Examination

Date Issued: February 26, 2001

File: BC01-073

Question: Are the requirements of QW-144 and QW-194 for visual examination of the test coupon required for the qualifications of a welding procedure?

Reply: No.

Interpretation: IX-01-11

Subject: QW-510 and QW-540 in Article V, Standard Welding Procedure Specifications

Date Issued: June 4, 2001

File: BC01-089

Question (1): Under QW-510(d), is it acceptable to weld the demonstration test coupon with only GTAW if the SWPS is for combination GTAW root and SMAW E7018 fill?

Reply (1): No. All variables of the SWPSs are considered to be essential variables.

Question (2): Under QW-510(d), is it acceptable to weld the demonstration test coupon with only SMAW E7018 if the SWPS is for combination GTAW root and SMAW E7018 fill?

Reply (2): No. All variables of the SWPSs are considered to be essential variables.

Question (3): Under QW-510(d), is it acceptable to weld demonstration test coupon with only SMAW E7018 if the SWPS specifies both E6010 and E7018?

Reply (3): No. All variables of the SWPSs are considered to be essential variables.

Question (4): Does Section IX, Article II apply when the fabricator chooses to use SWPSs?

Reply (4): No. Ref. para. QW-100.1.

Question (5): When using SWPSs under Article V of Section IX, may a single welding process of a multiple process SWPSs be used to complete a weld?

Reply (5): No. Ref. paras. QW-540(a) and (c).

Question (6): When using SWPSs under Article V of Section IX, may a single process SWPS for E7018 and a single process SWPS for GTAW be used to complete a weld, assuming all other variables are within the SWPS parameters?

Reply (6): No. Ref. paras. QW-540(a) and (c).

Question (7): When using SWPSs under Article V of Section IX, may a single process SWPS for E7018 and a single process SWPS for E6010 be used to complete a weld, assuming all other variables are within the SWPS parameters?

Reply (7): No. Ref. paras. QW-540(a) and (c).

Interpretation: IX-01-12

Subject: QW-322.2(a) and QW-452.1, Rule Change Affecting Welder Qualification

Date Issued: June 4, 2001

File: BC01-201

Background: ASME Section IX, Addenda 2000, revised table QW-452.1 reducing the coupon size from $\frac{3}{4}$ in. to $\frac{1}{2}$ in. to qualify the welder for "Maximum to be welded" when welding a minimum of three layers.

Question (1): A welder qualified prior to Addenda 2000 and has remained qualified since his original test. His original test coupon consisted of at least three weld layers and greater than $\frac{1}{2}$ in. but less than $\frac{3}{4}$ in. deposited weld metal. May the qualification recorded be revised from "2r" to "Max. to be welded" subsequent to Addenda 2000?

Reply (1): Yes.

Question (2): A welder was qualified prior to Addenda 2000. His qualification has lapsed due to not welding with the original weld process for greater than 6 months. His original test coupon consisted of at least three layers and greater than $\frac{1}{2}$ in. but less than $\frac{3}{4}$ in. deposited weld metal. His renewal restores his original qualifications in accordance with QW-322.2(a). May the original qualification record be revised from "2r" to "Max. to be welded" subsequent to Addenda 2000?

Reply (2): Yes.

Interpretation: IX-01-13

Subject: References to Edition and Addenda

Date Issued: June 26, 2001

File: BC01-570

Question (1): The 1998 Code Edition, as published, incorporates the 1998 Addenda. When providing reference to this Code Edition and Addenda within a Code-required document, may only the Edition be listed (i.e., 1998 Edition)?

Reply (1): Yes.

Question (2): For the 1998 Edition only, is it necessary to revise Code-required documentation where the term "1998 Edition" was used as meaning the 1995 Edition through the 1997 Addenda?

Reply (2): No.

NUMERICAL INDEX

<u>Location</u>	<u>Interpretation</u>	<u>File No.</u>	<u>Page No.</u>	<u>Location</u>	<u>Interpretation</u>	<u>File No.</u>	<u>Page No.</u>
Appendix C	IX-92-98	BC94-236	327		IX-89-03	BC88-166A	182
Code Case 2141	IX-92-82	BC93-434	317	QW-100.3	IX-83-99	BC83-472	63
Q-11, 1971 Edition	IX-83-02	BC81-704	6		IX-92-86	BC93-658	318
Q-11(b)(3), 1971 Edition, Winter 1973 Addenda	IX-83-41	BC82-796	28	QW-103	IX-92-09	BC91-260	265
					IX-92-80	BC93-584	316
Q-11(5), 1971 Edition, Winter 1973 Addenda	IX-83-40	BC82-794	27	QW-103.1	IX-92-81	BC92-306	316
Section II, Part C	IX-89-97	BC90-873	250	QW-103.2	IX-92-16	BC91-314	268
	IX-92-27	BC91-471	273	QW-144	IX-92-55	BC92-307	295
	IX-92-61	BC92-422	304	QW-150	IX-01-10	BC01-073	428
	IX-92-94	BC93-754	326	QW-151	IX-83-110	BC83-692	69
	IX-92-99	BC93-762,	327		IX-83-38	BC82-771	26
		BC93-769			IX-92-19	BC91-390	269
				QW-151.1	IX-92-37	BC92-097	282
					IX-89-25	BC89-099	197
Part QB					IX-89-83	BC90-532	243
...	IX-86-73	BC86-332	159		IX-89-90	BC90-532	247
QB-121	IX-92-86	BC93-655	318	QW-151.1(d)	IX-92-79	BC93-583	315
QB-123	IX-92-86	BC93-655	318	QW-151.2	IX-83-119	BC84-253	79
QB-141.4	IX-83-76	BC83-248	44	QW-151.2(d)	IX-83-120	BC83-474	79
	IX-98-01	BC97-304	383	QW-151.3	IX-83-95	BC83-301	61
QB-172	IX-89-74	BC90-429	234		IX-92-29	BC91-473	279
QB-181	IX-83-76	BC83-248	44	QW-153.1	IX-92-63	BC92-452	304
QB-200.4	IX-89-103	BC91-096	253		IX-89-04	BC88-167	182
QB-201.3	IX-86-21	BC86-058	126	QW-153.1(d)	IX-95-06	BC94-542	336
QB-203.1	IX-86-02	BC85-292	113	QW-160	IX-95-09	BC94-570	344
QB-402.1	IX-92-74	BC93-474	313		IX-83-156	BC84-697	98
	IX-92-93	BC93-752	325		IX-92-10	BC91-261	265
QB-402.2	IX-83-136	BC84-398	87	QW-162.1	IX-95-15	BC95-094	346
QB-402.3	IX-83-49	BC82-871	33		IX-83-115	BC83-279	77
QB-406.1	IX-83-118	BC84-183	78	QW-163	IX-86-37	BC86-297	139
QB-406.3	IX-83-118	BC84-183	78		IX-83-60	BC82-749	38
QB-408.2	IX-86-11	BC85-420	116		IX-83-120	BC83-474	79
	IX-86-22	BC85-531	126		IX-86-42	BC86-331	141
QB-415	IX-92-83	BC93-527	317	QW-180	IX-86-61	BC86-515	153
QB-451.3 [Note (1)]	IX-98-01	BC97-304	383	QW-181.1	IX-92-11	BC91-263	266
QB-452.1 [Note (1)]	IX-83-76	BC83-248	44	QW-183	IX-86-40	BC86-329	141
QB-461	IX-86-02	BC85-292	113	QW-184	IX-92-24	BC91-280	272
QB-462.1(a)	IX-89-49	BC89-372	218	QW-191	IX-92-24	BC91-280	272
QB-462.1(b)	IX-89-49	BC89-372	218		IX-83-52	BC83-001	34
QB-462.1(c)	IX-89-81	BC90-537	237		IX-83-142	BC84-548	89
QB-463	IX-83-76	BC83-248	44		IX-83-157	BC84-700	98
QB-466.3	IX-86-38	BC86-298	140	QW-191.2.2	IX-83-174	BC84-557	107
QB-482	IX-89-93	BC90-783	249	QW-191.2.2(b)(1)	IX-86-62	BC86-517	153
QB-484	IX-89-93	BC90-783	249	QW-191.2.2(b)(3)	IX-83-173	BC85-013	106
				QW-194	IX-83-173	BC85-013	106
Part QW					IX-01-03	BC00-519	420
QW-100.1	IX-83-17	BC82-422	13	QW-194.1	IX-01-10	BC01-073	428
					IX-86-18	BC85-585	125

<u>Location</u>	<u>Interpretation</u>	<u>File No.</u>	<u>Page No.</u>	<u>Location</u>	<u>Interpretation</u>	<u>File No.</u>	<u>Page No.</u>
Part QW (Cont'd)					IX-98-02	BC97-309	383
QW-195	IX-92-13	BC91-278	267	QW-201	IX-01-02	BC00-553	419
QW-200	IX-86-42	BC86-331	141	QW-201.1	IX-98-18	BC99-025	403
	IX-89-17	BC88-473	193	QW-202	IX-92-17	BC91-315	268
	IX-92-38	BC91-630	283	QW-202.2	IX-83-103	BC83-237	65
QW-200.1	IX-83-03	BC82-056	7		IX-86-74	BC87-134	165
	IX-89-03	BC88-166A	182		IX-92-11	BC91-263	266
	IX-92-30	BC91-587	279	QW-202.2(b)	IX-95-03	BC94-235	334
	IX-98-13	BC98-239	396	QW-202.2(c)	IX-89-87	BC90-745	245
QW-200.1(b)	IX-89-85	BC90-671	244		IX-89-100	BC90-663	252
	IX-95-01	BC94-104	333		IX-89-100R	BC90-663*	261
QW-200.1(c)	IX-83-54	BC83-042	35	QW-202.3	IX-83-93	BC83-531	56
	IX-83-111	BC84-001	70		IX-83-114	BC84-070	71
QW-200.2	IX-83-03	BC82-056	7		IX-83-160	BC84-219	100
	IX-83-72	BC83-269	43		IX-86-56	BC86-429	146
	IX-86-70	BC87-089	157		IX-89-12	BC88-401	187
	IX-86-87	BC87-490A	175		IX-95-34	BC96-060	368
	IX-92-78	BC93-561	318	QW-202.4	IX-83-123	BC84-092	80
	IX-98-04	BC97-481	384		IX-86-36	BC86-280	139
	IX-01-05	BC00-654	420		IX-86-43	BC86-337	142
QW-200.2(b)	IX-83-164	BC85-023	103		IX-86-89	BC88-089	176
	IX-92-16	BC91-314	268		IX-92-11	BC91-263	266
	IX-92-25	BC91-415	272		IX-95-12	BC95-027	345
QW-200.2(c)	IX-83-171	BC85-132	105	QW-202.4(b)	IX-98-20R	BC99-539*	426
QW-200.2(f)	IX-86-06	BC85-328	115	QW-203	IX-95-13	BC94-035	345
QW-200.3	IX-83-115	BC83-279	77	QW-204	IX-89-67	BC90-335	226
	IX-89-37	BC89-358	212	QW-211	IX-83-15	BC82-388	13
	IX-89-66	BC90-281	226		IX-89-105	BC91-119	254
QW-200.4	IX-83-80	BC83-388	50	QW-214	IX-86-71	BC87-090	157
	IX-83-83	BC83-394	53		IX-92-06	BC91-054	264
	IX-86-06	BC85-328	115		IX-92-60	BC92-421	303
	IX-86-08	BC85-134	116		IX-95-34	BC96-060	368
	IX-86-23	BC85-553	127	QW-214.1	IX-83-48	BC82-870	32
	IX-86-33	BC86-262	138	QW-214.3	IX-89-77	BC90-492	236
	IX-92-77	BC93-518	314		IX-92-54	BC92-305	295
	IX-95-10	BC94-662	344	QW-216	IX-89-29	BC89-178	204
QW-200.4(a)	IX-86-01	BC85-036	113		IX-92-03	BC90-523	262
	IX-92-42	BC92-011	291		IX-95-34	BC96-060	368
	IX-92-97	BC94-167	327	QW-216.1	IX-89-32	BC89-287	205
QW-200.4(a)(2)	IX-89-43	BC89-365	215	QW-216.2(d)	IX-89-39	BC89-361	213
QW-200.4(b)	IX-92-75	BC93-490	313		IX-89-77	BC90-492	236
QW-201	IX-83-03	BC82-056	7	QW-218	IX-89-31	BC89-178	204
	IX-83-12	BC82-341	11		IX-92-20	BC91-396	270
	IX-83-25	BC81-160	16	QW-250	IX-89-11	BC88-399	186
	IX-83-39	BC83-792	26		IX-89-85	BC90-671	244
	IX-83-68	BC83-040	41	QW-251.2	IX-83-79	BC83-358	50
	IX-83-151	BC84-620	96	QW-251.4	IX-92-44	BC92-168	291
	IX-86-49	BC86-367	144	QW-253	IX-92-57	BC92-354	296
	IX-89-73	BC90-319	234	QW-254	IX-83-27	BC82-713	17
	IX-92-07	BC91-156	264	QW-255	IX-95-16	BC95-095	346
	IX-92-66	BC93-377	305	QW-256	IX-86-26	BC86-059	129
	IX-92-67	BC93-391	306		IX-92-57	BC92-354	296
	IX-92-80	BC93-584	316	QW-280	IX-89-92	BC90-681	248
	IX-92-81	BC92-306	316		IX-92-44	BC92-168,	291
	IX-92-92	BC93-678	325			BC90-691	
	IX-95-25	BC95-252	359	QW-281.2(b)	IX-89-70	BC90-430	227
	IX-95-26	BC95-303	359	QW-281.2(c)	IX-86-59	BC86-458	152
	IX-95-27	BC95-482	360	QW-281.2(e)	IX-83-129	BC84-251	84
	IX-95-29	BC95-302	360	QW-281.5(a)	IX-89-44	BC89-366	215
	IX-95-40	BC93-431,	376	QW-282	IX-83-125	BC84-151	81
		BC95-222			IX-89-54	BC89-367	220

<u>Location</u>	<u>Interpretation</u>	<u>File No.</u>	<u>Page No.</u>	<u>Location</u>	<u>Interpretation</u>	<u>File No.</u>	<u>Page No.</u>
Part QW (Cont'd)							
QW-282.4(h)	IX-89-59	BC90-250	222	QW-305	IX-89-108	BC91-157	256
QW-282.6(m)	IX-83-09	BC82-279	10	QW-306	IX-83-83	BC83-394	53
QW-283	IX-89-22	BC89-094	195		IX-83-107	BC83-550	67
QW-284	IX-95-42	BC97-044	377		IX-86-23	BC85-553	127
QW-300	IX-83-21	BC82-499	15		IX-92-26	BC91-470	273
	IX-86-25	BC86-018	128		IX-92-59	BC92-206	303
	IX-89-48	BC89-360	217		IX-92-68	BC92-011A	306
	IX-92-91	BC93-755	324	QW-310	IX-92-31	BC91-613	280
	IX-92-95	BC94-008	326	QW-310.1	IX-86-35	BC86-266	139
	IX-95-20	BC95-302	352	QW-310.2	IX-89-89	BC90-769	246
	IX-95-36	BC96-314	369	QW-310.4	IX-83-42	BC83-803	28
	IX-98-11	BC98-133	395	QW-310.5(c)	IX-83-70	BC83-270	42
	IX-98-14	BC98-447	397		IX-83-101	BC83-529	64
QW-300.1	IX-86-05	BC85-306	114	QW-311	IX-83-121	BC84-134	80
	IX-86-24	BC86-001	128	(New QW-381)	IX-83-132	BC84-366	85
	IX-86-25	BC86-018	128		IX-83-162	BC84-663	102
	IX-95-35	BC96-287	368		IX-86-27	BC86-061	129
QW-300.2	IX-83-133	BC84-370	86	QW-311(a)	IX-83-101	BC83-529	64
	IX-83-151	BC84-620	96	QW-312(a)	IX-83-134	BC84-396	86
	IX-86-64	BC86-395	154	QW-320	IX-86-24	BC86-001	128
	IX-89-10	BC88-398	186	QW-321	IX-83-13	BC82-346	12
	IX-92-25	BC91-415	272	QW-321.2(a)	IX-86-79	BC87-140	167
	IX-95-32	BC95-302	367	QW-321.3	IX-92-73	BC93-468	313
	IX-01-08	BC01-030	427	QW-322	IX-83-58	BC83-086	37
QW-300.3	IX-92-39	BC92-121	283		IX-83-113	BC84-055	71
	IX-95-14	BC95-040	345		IX-83-117	BC84-133	78
	IX-95-19	BC95-221	352		IX-83-124	BC84-149	81
QW-301	IX-83-103	BC83-237	65		IX-83-128	BC84-226	83
	IX-86-69	BC87-088	156		IX-83-154	BC84-689	97
	IX-89-79	BC90-531	237		IX-83-166	BC85-030	104
	IX-92-17	BC91-315	268		IX-83-167	BC85-031	104
	IX-92-23	BC90-494	271		IX-83-170	BC85-091	105
QW-301.1	IX-83-153	BC84-664	97		IX-86-07	BC85-560	115
QW-301.2	IX-83-31	BC82-395	19		IX-86-19	BC85-587	129
	IX-83-149	BC84-558	95		IX-86-50	BC86-389	144
QW-301.4	IX-83-32	BC82-598	19		IX-89-38	BC89-359	213
	IX-83-163	BC85-022	102		IX-89-54	BC89-367	220
	IX-86-13	BC85-507	118		IX-89-63	BC90-254	224
	IX-86-90	BC88-091	176		IX-92-12	BC91-264	266
	IX-89-30	BC89-177	204		IX-92-22	BC91-425	271
QW-302.2	IX-86-34	BC86-265	138		IX-92-64	BC92-464	305
	IX-86-79	BC87-140	167		IX-95-38	BC96-132	375
QW-302.3	IX-89-64	BC90-297	225	QW-322(a)	IX-83-150	BC84-617	96
QW-302.4	IX-92-71	BC93-365	312		IX-83-159	BC84-690	99
	IX-95-17	BC95-035	351		IX-83-164	BC85-023	103
QW-303	IX-89-98	BC91-003	251		IX-86-52	BC86-394	145
	IX-92-15	BC91-293	267		IX-86-81	BC87-242	173
QW-303.1	IX-83-98	BC83-450	63		IX-86-82	BC87-252	173
	IX-83-155	BC84-692	98		IX-89-27	BC89-100	203
	IX-86-74	BC87-134	165		IX-89-38	BC89-359	213
QW-303.2	IX-92-45	BC92-238	292		IX-89-54	BC89-367	220
QW-303.3	IX-92-46	BC92-265	292	QW-322.1(b)	IX-95-19	BC95-221	352
QW-304	IX-83-19	BC82-440	14	QW-322.2	IX-92-47	BC92-266	292
	IX-83-57	BC83-079	37	QW-322.2(a)	IX-01-12	BC01-201	430
	IX-83-91	BC83-528	56	QW-350	IX-86-51	BC86-390	145
	IX-83-108	BC83-639	68		IX-95-30	BC96-073	361
	IX-86-85	BC87-492	174	QW-351	IX-83-55	BC83-059	36
	IX-95-39	BC96-331	375		IX-83-77	BC83-253	49
QW-304.1	IX-83-128	BC84-226	83		IX-83-143	BC84-581	89
	IX-01-04	BC00-653	420		IX-89-02	BC88-090	181
					IX-92-32	BC91-631	280

<u>Location</u>	<u>Interpretation</u>	<u>File No.</u>	<u>Page No.</u>	<u>Location</u>	<u>Interpretation</u>	<u>File No.</u>	<u>Page No.</u>
Part QW (Cont'd)							
QW-355	IX-86-12	BC85-482	117	QW-403.8	IX-92-87	BC93-151	323
	IX-86-46	BC86-219	143		IX-83-97	BC83-444	62
QW-356	IX-79-52R	BC79-046*	49	QW-403.9	IX-83-127	BC84-224	83
	IX-83-116	BC84-054	77	QW-403.10	IX-83-152	BC84-648	96
	IX-86-68	BC87-039	156		IX-95-28	BC96-002	360
	IX-92-01	BC90-501	285		IX-95-33	BC96-001	367
	IX-89-51	BC90-038	219	QW-403.11	IX-01-01	BC00-514	419
	IX-01-09	BC01-032	428		IX-83-11	BC82-300	11
QW-360	IX-86-68	BC87-039	156		IX-83-35	BC82-599	25
QW-361.2	IX-95-31	BC96-141	361		IX-83-56	BC83-078	36
	IX-98-14	BC98-447	397		IX-86-75	BC87-136	165
QW-364	IX-92-58	BC92-357	296		IX-89-75	BC90-443	235
QW-380	IX-89-71	BC90-039	233		IX-89-84	BC90-664	244
	IX-89-92	BC90-681,	248	QW-403.12	IX-89-88	BC90-768	246
		BC90-691		QW-403.16	IX-89-61	BC90-252	223
QW-381	IX-86-27	BC86-061	129		IX-89-20	BC88-478	194
	IX-86-58	BC86-457	152		IX-89-82	BC90-531	243
	IX-86-66	BC87-036	155	QW-403.18	IX-89-91	BC90-680	247
	IX-86-71	BC87-090	157		IX-83-106	BC83-630	67
	IX-92-72	BC93-392	312		IX-83-137	BC84-399	87
	IX-98-14	BC98-447	397	QW-404	IX-86-41	BC86-330	141
QW-382	IX-92-02	BC90-518	262		IX-83-37	BC82-770	26
	IX-92-04	BC90-530	263		IX-86-03	BC85-293	114
QW-383	IX-86-32	BC86-222	138		IX-86-65	BC87-031A	155
	IX-89-101	BC91-085	252		IX-86-76	BC87-137	166
QW-400	IX-83-82	BC83-303	52		IX-89-105	BC91-119	254
QW-401.15	IX-89-28	BC89-174	203	QW-404.4	IX-98-19	BC99-409	409
QW-402	IX-89-53	BC90-045	219		IX-83-10	BC82-299	10
QW-402.3	IX-86-54	BC86-400	146	QW-404.5	IX-83-87	BC83-340	54
QW-402.4	IX-89-28	BC89-174	203		IX-83-176	BC85-088	107
QW-402.5	IX-86-54	BC86-400	146		IX-83-140R	BC84-250*	137
QW-402.6	IX-83-04	BC82-098	8		IX-86-57	BC86-263	151
QW-402.10	IX-83-04	BC82-098	8		IX-86-84	BC87-491	174
	IX-83-71	BC83-230	43		IX-89-34	BC89-172	211
	IX-89-42	BC89-364	215		IX-89-55	BC89-371	220
QW-402.11	IX-86-80	BC87-253	167	QW-404.9	IX-89-58	BC90-249	221
QW-402.12	IX-98-06	BC98-009	389		IX-83-46	BC82-751	31
QW-402.14	IX-98-06	BC98-009	389		IX-83-59	BC82-614	37
QW-403	IX-83-20	BC82-496	14		IX-83-61	BC82-831	39
	IX-83-116	BC84-054	77		IX-83-84	BC83-398	53
QW-403.1	IX-83-45	BC82-385	30		IX-83-96	BC83-442	62
	IX-89-14	BC88-403	187		IX-83-169	BC85-089	105
	IX-95-24	BC95-194	359	QW-404.12	IX-95-37	BC96-315	369
QW-403.5	IX-83-92	BC83-530	56	QW-404.13	IX-92-21	BC91-397	270
	IX-83-135	BC84-397	87		IX-83-06	BC82-245	9
	IX-86-15	BC85-532	123		IX-83-47	BC82-790	32
	IX-86-75	BC87-136	165		IX-83-97	BC83-444	62
	IX-86-78	BC87-139	166	QW-404.14	IX-83-100	BC83-563	63
	IX-89-23	BC89-096	196		IX-83-89	BC83-402	55
	IX-89-26	BC89-103	197		IX-89-68	BC90-349	227
	IX-89-75	BC90-443	235	QW-404.15	IX-89-47	BC89-370	217
	IX-89-78	BC90-515	236	QW-404.22	IX-83-22	BC82-516	15
	IX-92-70	BC92-450	311		IX-89-91	BC90-680	247
	IX-92-70R	BC00-470	425	QW-404.25	IX-89-80	BC90-536	237
	IX-95-21	BC95-318	353	QW-404.26	IX-89-80	BC90-536	237
QW-403.6	IX-83-148	BC84-417	95	QW-404.28	IX-83-100	BC83-563	63
	IX-89-07	BC88-171	184		IX-89-61	BC90-252	223
	IX-89-86	BC90-734	245	QW-404.30	IX-89-20	BC88-478	194
	IX-89-96	BC90-872	250		IX-89-24	BC89-097	196
	IX-92-50	BC92-217	293	QW-404.31	IX-89-56	BC90-036	221
				QW-404.32	IX-83-112	BC84-038	70

<u>Location</u>	<u>Interpretation</u>	<u>File No.</u>	<u>Page No.</u>	<u>Location</u>	<u>Interpretation</u>	<u>File No.</u>	<u>Page No.</u>
Part QW (Cont'd)				QW-416	IX-86-72	BC87-091	158
QW-405.1	IX-01-01	BC00-514	419		IX-86-86	BC87-494	175
	IX-89-20	BC88-478	194	QW-420.2	IX-95-07	BC94-522	343
QW-405.2	IX-89-24	BC89-097	196		IX-01-07	BC01-029	427
	IX-83-50	BC82-872	33	QW-422	IX-83-34	BC82-514	25
QW-405.3	IX-83-177	BC85-092	108		IX-83-131	BC84-365	85
	IX-86-86	BC87-494	175		IX-86-88	BC88-041	176
QW-406.1	IX-92-01	BC90-501	285		IX-89-14	BC88-403	187
	IX-98-15	BC98-448	397		IX-89-36	BC89-357	212
	IX-83-161	BC84-618	101		IX-89-88	BC90-768	246
	IX-83-165	BC85-024	103		IX-92-08	BC91-257	265
QW-406.2	IX-83-161	BC84-618	101		IX-92-18	BC91-389	297
QW-406.3	IX-92-57	BC92-354	296		IX-95-05	BC94-365	336
QW-407	IX-83-130	BC84-252	84	QW-423	IX-86-17	BC85-554	124
	IX-86-04	BC85-304	114		IX-89-15	BC88-404	183
QW-407.1	IX-86-20	BC86-010	125		IX-92-18	BC91-389	297
	IX-86-76	BC87-137	166	QW-423.1	IX-89-58	BC90-249	221
	IX-83-29	BC82-763	18		IX-92-65	BC93-148	305
	IX-83-30	BC82-243	18	QW-424	IX-89-05	BC88-168	188
QW-407.1(b)	IX-98-10	BC97-306,	395		IX-89-26	BC89-103	197
		BC97-308			IX-89-41	BC89-363	214
	IX-81-31R	BC82-097*	5		IX-89-75	BC90-443	235
QW-407.2	IX-86-47	BC86-223	143		IX-89-88	BC90-768	246
	IX-83-29	BC82-763	18		IX-95-22	BC95-251	353
QW-407.4	IX-83-86	BC83-294	54	QW-424.1	IX-89-58	BC90-249	221
	IX-83-145	BC84-584	90	QW-432	IX-83-24	BC82-588	16
	IX-92-84	BC93-586	318		IX-80-52R	BC80-435*	49
	IX-83-11	BC82-300	11		IX-92-99	BC93-762,	327
QW-408	IX-83-35	BC82-599	25		BC93-769		
	IX-86-23	BC85-553	127	QW-442	IX-98-08	BC98-131	390
	IX-92-33	BC91-614	280	QW-450	IX-89-46	BC89-369	216
	IX-89-16	BC88-405	188	QW-450 vs QW-461	IX-83-14	BC82-302	12
QW-408.2	IX-95-11	BC95-002	344	QW-451	IX-83-78	BC83-300	50
	IX-92-62	BC92-425	304		IX-83-01	BC81-702	5
QW-408.3	IX-95-16	BC95-095	346		IX-83-05	BC82-237	8
QW-408.8	IX-86-67	BC87-038	155		IX-83-08	BC82-265	10
QW-408.9	IX-83-168	BC85-059	104		IX-83-36	BC82-757	25
	IX-83-146	BC84-619	90		IX-83-64	BC83-222	40
QW-409	IX-86-67	BC87-038	155		IX-83-104	BC83-349	66
	IX-83-26	BC82-182	17		IX-83-105	BC83-471	66
QW-409.1	IX-83-33	BC82-617	19		IX-83-141	BC84-434	89
	IX-83-175	BC85-038	107		IX-83-177	BC85-092	108
QW-409.8	IX-92-40	BC92-110	284		IX-86-31	BC86-101	137
	IX-92-69	BC92-228,	306		IX-89-07	BC88-171	184
		BC92-353			IX-89-62	BC90-253	224
	IX-92-87	BC93-151	323		IX-89-83	BC90-532	243
	IX-92-88	BC93-593	323		IX-89-99	BC91-022	251
	IX-89-19	BC88-476	194		IX-92-19	BC91-390	269
	IX-89-36	BC89-357	212		IX-92-34	BC91-586	281
	IX-92-88	BC93-593	323		IX-92-37	BC92-097	282
	IX-95-18	BC95-220	351		IX-92-68	BC92-011A	306
	IX-86-55	BC86-426	146		IX-98-03	BC97-479	383
QW-410.7	IX-86-60	BC86-514A	152		IX-98-12	BC98-237,	396
QW-410.9	IX-86-44	BC86-365	142		BC98-238		
QW-410.15	IX-86-63	BC86-520	154	QW-451.1	IX-83-18	BC82-423	14
QW-410.25	IX-83-69	BC82-233	42		IX-83-43	BC82-822	29
QW-410.26	IX-86-26	BC86-059	129		IX-83-81	BC83-395	51
QW-410.42	IX-98-07	BC98-009	390		IX-83-88	BC83-396	54
QW-410.51	IX-01-06R	BC98-240*	426		IX-83-94	BC83-284	61
QW-415	IX-89-79	BC90-531	237		IX-83-102	BC83-551	65
	IX-89-82	BC90-531	243		IX-83-122	BC83-645	80

<u>Location</u>	<u>Interpretation</u>	<u>File No.</u>	<u>Page No.</u>	<u>Location</u>	<u>Interpretation</u>	<u>File No.</u>	<u>Page No.</u>
Part QW (Cont'd)							
	IX-86-36	BC86-280	139		IX-83-44	BC82-838	29
	IX-86-48	BC86-281	143		IX-83-53	BC83-002	35
	IX-89-18	BC88-474	193		IX-83-134	BC84-396	86
	IX-89-107	BC91-124	255		IX-86-29	BC86-103	130
QW-451.3	IX-86-40	BC86-329	141		IX-89-98	BC91-003	251
	IX-92-51	BC92-276	294		IX-92-15	BC91-293	267
	IX-92-56	BC92-308	295		IX-92-41	BC92-035	284
QW-452	IX-83-07	BC82-246	9		IX-92-46	BC92-265	292
	IX-83-16	BC82-396	13	QW-462	IX-92-72	BC93-392	312
	IX-83-67	BC83-123	41		IX-92-90	BC93-753	324
	IX-83-104	BC83-349	66		IX-86-09	BC85-200	116
	IX-86-30	BC86-104	131		IX-89-102	BC91-086	253
	IX-86-39	BC86-299	140		IX-92-76	BC93-515	312
	IX-89-02	BC88-090	181	QW-462.1	IX-95-02	BC94-181	333
QW-452.1	IX-83-66	BC83-058	41		IX-83-110	BC83-692	69
	IX-83-88	BC83-396	54		IX-92-29	BC91-473	279
	IX-83-90	BC83-407	55	QW-462.1(a)	IX-98-09	BC97-302	395
	IX-89-06	BC88-169	183		IX-86-45	BC86-366	142
	IX-89-21	BC89-031	195	QW-462.1(d)	IX-89-25	BC89-099	197
	IX-89-52	BC90-044	219		IX-83-139	BC83-629	88
	IX-89-64	BC90-297	225	QW-462.1(e)	IX-89-89	BC90-769	246
	IX-89-95	BC90-869	250	QW-462.3(a)	IX-83-95	BC83-301	61
	IX-89-107	BC91-124	255		IX-83-144	BC84-583	90
	IX-92-35	BC91-277	281	QW-462.3(b)	IX-89-72	BC90-042	233
	IX-92-36	BC91-616	282	QW-462.4	IX-83-144	BC84-583	90
	IX-92-53	BC92-254	294	QW-462.4(a)	IX-92-51	BC92-276	294
	IX-92-59	BC92-206	303	QW-462.4(b)	IX-95-08	BC94-543	343
	IX-92-89	BC93-653	324	QW-462.5	IX-89-45	BC89-368	216
QW-452.3	IX-83-22	BC82-516	15		IX-92-05	BC90-632	263
	IX-83-23	BC82-530	15	QW-462.5(a)	IX-92-52	BC92-252	294
	IX-83-66	BC83-058	41	QW-463.1(b)	IX-98-16	BC98-453	398
	IX-83-158	BC84-368	99	QW-463.2(g)	IX-83-15	BC82-388	13
	IX-86-29	BC86-103	130	QW-466	IX-83-75	BC83-149	44
	IX-89-09	BC88-397	185		IX-83-51	BC83-881	34
	IX-89-69	BC90-401	227		IX-92-48	BC92-267	293
	IX-89-94	BC90-785	249	QW-466.1	IX-92-49	BC92-268	293
	IX-89-104	BC91-097	253		IX-95-15	BC95-094	346
	IX-89-106	BC91-120	254		IX-83-73	BC82-866	43
	IX-92-59	BC92-206	303		IX-83-74	BC82-867	44
	IX-92-89	BC93-653	324	QW-466.3	IX-83-115	BC83-279	77
	IX-95-04	BC94-296	335		IX-89-37	BC89-358	212
QW-452.4	IX-92-45	BC92-238	292		IX-83-109	BC83-689	68
	IX-92-51	BC92-276	294	QW-482	IX-86-37	BC86-297	139
QW-452.6	IX-89-57	BC90-040	221	QW-483	IX-86-14	BC85-483	123
QW-453	IX-92-05	BC90-632	263		IX-89-01	BC88-042	181
	IX-92-72	BC93-392	312	QW-484	IX-86-14	BC85-483	123
	IX-95-23	BC95-428	353	QW-492	IX-86-70	BC87-089	157
	IX-95-41	BC97-028	376		IX-83-53	BC83-002	35
	IX-98-05	BC98-009	389		IX-86-16	BC85-533	124
	IX-98-17	BC98-055	403		IX-89-62	BC90-253	224
QW-461.1(a)	IX-83-65	BC83-225	40	QW-510	IX-92-43	BC92-100	291
QW-461.9	IX-83-28	BC82-748	18	QW-540	IX-98-15	BC98-448	397
					IX-01-11	BC01-089	429
					IX-01-11	BC01-089	429

SUBJECT INDEX

<u>Subject</u>	<u>Interpretation</u>	<u>File No.</u>	<u>Page No.</u>
Base Metals			
P-Number substitution	IX-83-20	BC82-496	14
	IX-83-56	BC83-078	36
	IX-83-96	BC83-442	62
	IX-86-17	BC85-554	124
	IX-86-18	BC85-585	125
	IX-89-29	BC89-176	204
	IX-89-61	BC90-252	223
	IX-89-75	BC90-443	235
	IX-95-21	BC95-318	353
	IX-95-22	BC95-251	353
	IX-95-24	BC95-194	359
qualifying for notch toughness	IX-83-92	BC83-530	54
	IX-86-48	BC86-281	143
	IX-89-75	BC90-443	235
	IX-89-84	BC90-664	244
	IX-89-96	BC90-872	250
	IX-92-70	BC92-450	311
	IX-92-70R	BC00-470	425
	IX-92-87	BC93-151	323
qualifying for test specimens	IX-89-37	BC89-358	212
	IX-89-88	BC90-768	246
thickness	IX-01-01	BC00-514	419
use of as filler metal	IX-83-87	BC83-340	56
Brazing Base Metals			
P-Number substitution	IX-92-74	BC93-474	313
Brazing Procedure Qualification			
by Part QW welding qualification	IX-92-83	BC93-527	317
electrode classification	IX-95-13	BC94-035	345
for attaching small penetrations	IX-86-73	BC86-332	159
qualification by proof test	IX-86-53	BC86-399	145
S-Number substitution	IX-92-93	BC93-752	325
Brazing Procedure Specification			
combination of thicknesses	IX-89-104	BC91-097	253
qualification of hard-facing	IX-92-83	BC93-527	317
recording information on BPS	IX-89-93	BC90-783	249
recording information on the Brazer or Brazing Operator			
Qualification Test	IX-89-94	BC90-785	249
requalification of	IX-86-22	BC85-531	126
Brazing Test Specimens			
butt and scarf joints	IX-89-49	BC89-372	218
positions	IX-92-85	BC93-655	318
Certification			
of the PQR	IX-83-03	BC82-056	7

<u>Subject</u>	<u>Interpretation</u>	<u>File No.</u>	<u>Page No.</u>
Certification (Cont'd)			
of the WPS.....	IX-83-03	BC82-056	7
Consumable Inserts			
addition/deletion.....	IX-89-91	BC90-680	247
performance qualification.....	IX-83-06	BC82-245	9
	IX-83-22	BC82-516	15
qualifying viewing windows.....	IX-83-104	BC83-349	66
Cover Pass			
remelting of.....	IX-83-89	BC83-402	55
Diameters, Pipe			
performance qualification.....	IX-83-55	BC83-059	29
ranges listed on the WPS.....	IX-83-44	BC82-838	36
	IX-89-82	BC90-531	243
Dust			
amount in powdered filler metal.....	IX-83-09	BC82-279	10
Edition of Code	IX-01-13	BC01-570	430
Essential Variables (see Variables)			
Filler Materials (see also SFA Specifications)			
change in electrode classification.....	IX-83-84	BC83-303	53
	IX-89-61	BC90-252	223
	IX-92-21	BC91-397	270
	IX-98-19	BC99-409	409
change in wire classification.....	IX-83-84	BC83-398	53
	IX-83-169	BC85-089	105
	IX-95-37	BC96-315	369
	IX-98-19	BC99-409	409
chemical analysis of weld deposit.....	IX-86-57	BC86-263	151
electrode spacing.....	IX-86-44	BC86-365	142
flux-cored consumable.....	IX-89-105	BC91-119	254
nonferrous.....	IX-83-176	BC85-088	107
qualifying as a welded buildup.....	IX-83-114	BC84-070	71
supplementary powder, addition, deletion or increase.....	IX-89-80	BC90-536	237
without SFA specification.....	IX-86-03	BC85-293	114
Flux			
active/neutral.....	IX-86-16	BC85-533	124
F-Numbers			
change in.....	IX-83-10	BC82-299	10
	IX-89-28	BC89-174	203
classification.....	IX-89-46	BC89-369	216
	IX-92-99	BC93-762	327
		BC93-769	327
classification of martensitic materials.....	IX-83-24	BC82-588	16
use of electrodes to conform F-No.....	IX-89-29	BC89-176	204
Interpass Temperatures			
listing of on the WPS.....	IX-83-41	BC82-796	28
	IX-83-161	BC84-618	101
qualification of.....	IX-83-41	BC82-796	28
	IX-83-129	BC84-251	84
Machine Welding			
definition of.....	IX-92-43	BC92-100	291

<u>Subject</u>	<u>Interpretation</u>	<u>File No.</u>	<u>Page No.</u>
Multiprocess Welds			
qualified thickness range for performance qualification	IX-83-14	BC83-302	12
	IX-89-35	BC89-307	211
qualified thickness range for procedure qualification	IX-83-83	BC83-394	53
	IX-95-33	BC96-001	367
required test specimens for procedure qualification	IX-83-01	BC81-702	5
root pass without backing	IX-89-01	BC88-042	181
with notch-toughness requirements	IX-83-33	BC82-617	19
Nonessential Variables (see also Variables)			
addressing	IX-98-13	BC98-239	396
ranges for	IX-83-04	BC82-098	8
Normalized Materials			
qualified by non-normalized materials	IX-83-86	BC83-294	54
Nozzle Joint Design			
base metal thickness	IX-86-31	BC86-101	137
Operational Control			
change in company name	IX-83-25	BC81-160	16
contractor's associations	IX-83-68	BC83-040	41
of welding procedures	IX-83-03	BC82-056	7
	IX-83-151	BC84-620	96
	IX-86-64	BC86-395	154
organizations not involved in Code applications	IX-83-39	BC82-792	26
Peel Test, Brazing			
acceptance criteria	IX-89-74	BC90-429	234
	IX-98-01	BC97-304	383
Performance Qualification			
A-number substitution	IX-86-84	BC87-491	174
	IX-89-29	BC89-176	204
	IX-92-18	BC91-389	297
alternate base materials for welder qualification	IX-92-18	BC91-389	297
	IX-92-65	BC93-148	305
applied lining or clad plate	IX-89-101	BC91-085	252
by several contractors simultaneously	IX-86-25	BC86-018	128
	IX-86-81	BC87-242	173
	IX-95-32	BC95-302	367
change in angle groove	IX-86-69	BC87-088	156
change in vertical welding	IX-92-01	BC90-501	285
combination of welding processes	IX-92-01	BC90-501	285
	IX-92-26	BC91-470	273
consumable inserts	IX-83-06	BC82-245	9
	IX-83-22	BC82-516	15
corrosion-resistant weld metal overlay	IV-86-32	BC86-222	138
	IX-86-58	BC86-457	152
	IX-86-66	BC87-036	155
	IX-89-79	BC90-531	237
	IX-89-71	BC90-039	233
	IX-92-72	BC93-392	312
	IX-95-23	BC95-428	353
	IX-95-30	BC96-073	361
	IX-98-14	BC98-447	397
diameter limitation	IX-89-09	BC88-397	185
	IX-89-69	BC90-401	227
	IX-89-98	BC91-003	251
	IX-89-104	BC91-097	253
	IX-89-106	BC91-120	254
	IX-92-15	BC91-263	267
	IX-92-41	BC92-035	284

<u>Subject</u>	<u>Interpretation</u>	<u>File No.</u>	<u>Page No.</u>
Performance Qualification (Cont'd)			
	IX-92-90	BC93-753	324
	IX-95-04	BC94-296	335
editorial correction to WPQ.....	IX-92-96	BC93-755	326
effective operational control of.....	IX-89-10	BC88-398	186
	IX-95-20	BC95-302	352
	IX-95-32	BC95-302	367
electrodes.....	IX-95-30	BC96-073	361
fillet welds.....	IX-83-04	BC82-098	8
	IX-83-103	BC83-237	65
	IX-86-28	BC86-062	130
	IX-92-45	BC92-238	292
fillet welds qualified by groove welds.....	IX-83-16	BC82-396	13
	IX-83-98	BC84-450	63
	IX-86-74	BC87-134	165
	IX-89-31	BC89-178	204
	IX-89-87	BC90-745	245
F-Number qualification.....	IX-79-52R	BC79-046*	49
	IX-80-52R	BC80-435*	49
	IX-98-08	BC98-131	390
further training.....	IX-83-13	BC82-346	12
groove welds.....	IX-83-16	BC82-396	13
	IX-89-20	BC88-478	194
	IX-89-89	BC90-769	246
	IX-89-94	BC90-785	249
	IX-95-04	BC94-296	335
hard facing weld metal overlay.....	IX-92-02	BC90-518	262
	IX-95-23	BC95-428	353
machine welding.....	IX-95-31	BC96-141	361
macro examination.....	IX-92-24	BC91-280	272
maintenance of.....	IX-86-82	BC87-252	173
manual/machine welding substitution.....	IX-86-68	BC87-039	156
	IX-89-38	BC89-359	213
manual/semiautomatic welding substitution.....	IX-95-36	BC96-314	369
multiprocess.....	IX-83-14	BC82-302	12
	IX-83-107	BC83-550	67
	IX-86-13	BC85-507	118
	IX-86-23	BC85-553	127
	IX-86-39	BC86-299	140
operator variables.....	IX-83-163	BC85-022	102
	IX-86-05	BC85-306	114
partial-penetration groove welds.....	IX-83-155	BC84-692	98
P-Number substitutions.....	IX-83-40	BC82-794	27
	IX-83-42	BC82-803	28
	IX-83-63	BC83-122	40
	IX-83-70	BC83-270	42
	IX-83-116	BC84-054	77
	IX-83-137	BC84-399	87
	IX-86-17	BC85-554	124
	IX-86-18	BC85-585	125
	IX-86-41	BC86-330	141
	IX-86-51	BC86-390	145
	IX-86-72	BC87-091	158
	IX-89-15	BC88-404	188
	IX-89-33	BC89-175	205
position.....	IX-83-28	BC82-748	18
	IX-83-108	BC83-639	68
	IX-83-162	BC84-663	102
	IX-83-170	BC85-091	105
	IX-83-177	BC85-092	108
	IX-86-29	BC86-103	130
	IX-86-30	BC86-104	131
	IX-86-35	BC86-266	139

<u>Subject</u>	<u>Interpretation</u>	<u>File No.</u>	<u>Page No.</u>
Performance Qualification (Cont'd)			
	IX-89-24	BC89-097	196
	IX-89-40	BC89-362	214
	IX-89-98	BC91-003	251
	IX-92-15	BC91-263	267
	IX-92-41	BC92-035	284
	IX-92-46	BC92-265	292
	IX-92-90	BC93-753	324
process substitution	IX-86-46	BC86-219	143
qualification with and without backing	IX-92-96	BC94-102	326
	IX-01-09	BC01-032	428
questioning of ability	IX-86-24	BC86-001	128
records	IX-95-38	BC96-132	375
recording information on WPQ	IX-86-13	BC85-507	118
	IX-86-72	BC87-091	158
	IX-89-30	BC89-177	204
	IX-89-47	BC89-370	217
renewal of	IX-83-154	BC84-689	97
	IX-83-159	BC84-690	99
	IX-83-164	BC85-023	103
	IX-83-166	BC85-030	104
	IX-83-167	BC85-031	104
	IX-86-07	BC85-560	115
	IX-86-19	BC85-587	125
	IX-86-50	BC86-389	144
	IX-86-52	BC86-394	145
	IX-89-32	BC89-100	203
	IX-92-12	BC91-264	266
	IX-92-22	BC91-425	271
	IX-92-47	BC92-266	292
	IX-92-64	BC92-464	305
requalification after failure	IX-92-56	BC92-308	295
requalification after failure and further training	IX-92-73	BC93-468	313
requalification for friction weld operator	IX-92-58	BC92-357	296
requalifying for Addenda changes	IX-83-112	BC84-038	70
responsibility of	IX-83-21	BC82-499	15
	IX-83-100	BC83-563	63
	IX-83-101	BC83-529	64
	IX-83-106	BC83-630	67
	IX-83-113	BC83-055	71
	IX-83-117	BC84-133	78
	IX-83-121	BC84-134	80
	IX-83-124	BC84-149	81
	IX-83-128	BC84-226	83
	IX-83-131	BC84-365	85
	IX-83-132	BC84-366	85
	IX-83-133	BC84-370	86
	IX-83-134	BC84-396	86
	IX-92-25	BC91-415	272
	IX-98-14	BC98-447	397
revoking of qualification	IX-95-19	BC95-221	352
simultaneous qualification of welders	IX-92-39	BC92-121	283
	IX-95-14	BC95-040	345
special process	IX-89-92	BC90-681, BC90-691	248
strip electrodes	IX-95-30	BC96-073	361
test coupon qualification	IX-92-31	BC91-613	280
test specimen movement	IX-86-77	BC87-138	166
thickness limitation	IX-83-90	BC83-407	55
	IX-83-158	BC84-368	99
	IX-89-02	BC88-090	181
	IX-89-24	BC89-097	196
	IX-89-32	BC89-287	205

<u>Subject</u>	<u>Interpretation</u>	<u>File No.</u>	<u>Page No.</u>
Performance Qualification (Cont'd)			
	IX-89-64	BC90-297	225
	IX-89-83	BC90-532	243
	IX-89-95	BC90-869	250
	IX-89-96	BC90-872	250
	IX-92-36	BC91-616	282
	IX-92-35	BC91-277	281
	IX-92-32	BC91-631	280
	IX-92-51	BC92-276	294
	IX-92-59	BC92-206	303
	IX-95-23	BC95-428	353
	IX-95-28	BC96-002	360
	IX-98-05	BC98-009	389
	IX-98-17	BC98-055	403
type of tests required	IX-92-17	BC91-315	268
	IX-92-23	BC90-494	270
using radiography	IX-83-19	BC82-440	14
	IX-83-52	BC83-001	34
	IX-83-57	BC83-079	36
	IX-83-91	BC83-528	56
	IX-83-142	BC84-548	89
	IX-83-173	BC85-013	106
	IX-83-174	BC84-557	107
	IX-86-34	BC86-265	138
	IX-86-79	BC87-140	167
	IX-86-85	BC87-492	174
	IX-89-21	BC89-031	195
ultrasonic examination	IX-95-35	BC96-287	368
visual examination	IX-92-71	BC93-365	312
	IX-95-17	BC95-035	351
	IX-01-03	BC00-519	420
visual inspection	IX-89-50	BC90-035	218
welder/operator	IX-89-48	BC89-360	217
	IX-89-51	BC90-038	219
	IX-89-57	BC90-040	221
	IX-89-63	BC90-254	224
	IX-89-108	BC91-157	256
	IX-95-39	BC96-331	375
	IX-98-11	BC98-133	395
	IX-98-14	BC98-447	397
welder/operator identification	IX-83-138	NI84-058	88
welding of joint by more than one welder	IX-89-06	BC88-169	183
when welding PQR coupon	IX-83-31	BC82-395	19
	IX-86-90	BC88-091	176
	IX-89-48	BC89-360	217
with a tube end gun	IX-83-67	BC83-123	41
with/without backing	IX-83-168	BC85-059	104
	IX-86-23	BC85-553	127
plasma arc welding	IX-89-40	BC89-362	214
P-Numbers			
chemical analysis/mechanical properties of	IX-86-88	BC88-041	176
classification of	IX-83-156	BC84-697	98
	IX-92-08	BC91-257	265
	IX-95-05	BC94-365	336
welding of non-pressure retaining attachments	IX-89-05	BC88-168	183
Positions, Brazing			
qualification of flow positions	IX-86-02	BC85-292	113
Positions, Welding			
fillet welds in vertical-up progression	IX-83-82	BC83-303	52
listing on the WPS.	IX-83-44	BC82-830	29

<u>Subject</u>	<u>Interpretation</u>	<u>File No.</u>	<u>Page No.</u>
Positions, Welding (Cont'd)			
qualification of 2G position	IX-83-75	BC83-149	44
recording welder qualification for	IX-83-53	BC83-002	35
vertical-up progression	IX-83-50	BC82-872	33
	IX-86-86	BC87-494	175
Postweld Heat Treatment			
addition of	IX-86-47	BC86-223	143
change in soaking time	IX-83-130	BC84-252	84
change in base metal thickness	IX-92-33	BC91-614	280
limit on maximum time	IX-83-145	BC84-584	90
reporting results	IX-98-10	BC97-306, BC97-308	395
temperature ranges	IX-81-30R	BC82-097*	5
	IX-83-30	BC82-243	18
transformation temperatures	IX-83-11	BC82-300	11
	IX-86-23	BC85-553	127
	IX-86-76	BC87-137	166
versus post heating	IX-83-29	BC82-763	18
	IX-86-20	BC86-010	125
when lower critical temperature has been exceeded	IX-83-35	BC82-599	25
Preheat Temperature			
maintenance of	IX-83-82	BC83-303	52
	IX-83-161	BC84-618	101
Procedure Qualification			
equipment	IX-95-42	BC97-044	377
essential variables	IX-89-54	BC89-367	220
	IX-89-59	BC90-250	222
	IX-01-06	BC98-240	421
impact testing	IX-89-23	BC89-096	196
joints	IX-98-06	BC98-009	389
limits of qualified positions for procedures	IX-95-13	BC94-035	345
liquid penetrant examination	IX-92-13	BC91-278	267
	IX-95-23	BC95-428	353
nonessential variables	IX-98-13	BC98-239	396
	IX-01-05	BC00-654	420
partial penetration groove welds	IX-89-62	BC90-253	224
	IX-95-03	BC94-235	334
seal welds	IX-98-15	BC98-448	397
subcontracting	IX-92-78	BC93-561	315
substrate deposit	IX-95-34	BC96-060	368
tension tests	IX-95-09	BC94-570	344
variables	IX-89-79	BC90-531	237
	IX-92-40	BC92-110	284
weld repair and buildup tests	IX-95-03	BC94-235	334
Procedure Qualification Record			
additions/corrections to	IX-83-171	BC85-132	105
applied lining	IX-92-20	BC91-396	270
certification of	IX-83-03	BC82-056	7
combining PQRs	IX-83-47	BC82-790	32
	IX-86-15	BC85-532	123
	IX-89-40	BC89-362	214
	IX-92-42	BC92-011	291
	IX-92-59	BC92-206	303
	IX-92-68	BC92-011A	306
	IX-92-95	BC94-008	326
corrosion-resistant weld metal overlay, chemical analysis	IX-89-77	BC90-492	233
	IX-89-71	BC90-039	236
	IX-92-05	BC90-632	263
	IX-92-06	BC91-054	264

<u>Subject</u>	<u>Interpretation</u>	<u>File No.</u>	<u>Page No.</u>
Procedure Qualification Record (Cont'd)			
	IX-92-28	BC91-472	273
	IX-92-52	BC92-252	294
	IX-92-54	BC92-305	295
	IX-95-41	BC97-028	376
	IX-98-16	BC98-453	398
dissimilar base metal thicknesses	IX-92-11	BC91-263	266
		BC92-011B,	306
		BC92-228	
	IX-95-12	BC95-027	345
	IX-98-20R	BC99-539*	426
electrical characteristics	IX-92-88	BC93-593	325
groove and fillet welds	IX-92-11	BC91-263	266
	IX-92-37	BC92-097	282
	IX-92-34	BC91-586	281
	IX-95-28	BC96-002	360
hardfacing overlay, examination	IX-89-77	BC90-492	236
	IX-92-03	BC90-523	262
	IX-92-04	BC90-530	263
	IX-95-23	BC95-428	353
	IX-95-34	BC96-060	368
	IX-98-16	BC98-453	398
information on	IX-86-70	BC87-089	157
	IX-89-16	BC88-405	188
listing of backing	IX-86-33	BC82-262	138
listing of preheat temperature	IX-83-165	BC85-024	103
listing of shielding gas purity	IX-95-11	BC95-002	344
macro examination	IX-92-24	BC91-280	272
manufacturer's or contractor's responsibility	IX-89-73	BC90-319	234
	IX-92-07	BC91-156	264
	IX-92-09	BC91-260	265
	IX-92-16	BC91-314	268
	IX-92-25	BC91-415	272
	IX-92-66	BC93-377	305
	IX-92-67	BC93-391	306
	IX-92-80	BC92-584	316
	IX-92-81	BC92-306	316
	IX-92-92	BC93-678	325
	IX-95-25	BC95-252	359
	IX-95-26	BC95-303	359
	IX-95-27	BC95-482	360
	IX-95-29	BC95-302	360
	IX-95-40	BC93-431,	376
		BC95-222	
	IX-98-18	BC99-025	403
meeting requirements of older editions	IX-83-99	BC83-472	63
	IX-83-148	BC84-417	95
	IX-92-86	BC93-658	318
notch toughness testing	IX-86-75	BC87-136	165
	IX-86-78	BC87-139	166
	IX-92-50	BC92-217	293
oscillation	IX-98-07	BC98-009	390
recording test results	IX-83-26	BC82-182	12
	IX-83-139	BC83-629	88
	IX-83-172	BC85-135	106
	IX-83-175	BC85-038	107
requelifying	IX-89-56	BC90-036	221
	IX-89-58	BC90-249	221
	IX-92-62	BC92-425	304
	IX-92-97	BC94-167	327
revising WPSs	IX-92-57	BC92-354	296
special process	IX-89-92	BC90-681,	248
		BC90-691	

<u>Subject</u>	<u>Interpretation</u>	<u>File No.</u>	<u>Page No.</u>
Procedure Qualification Record (Cont'd)			
supporting WPSs	IX-92-44	BC92-168	291
	IX-92-84	BC93-586	318
	IX-95-21	BC95-318	353
	IX-95-22	BC95-251	353
	IX-98-04	BC97-481	384
thickness limits and test specimens	IX-92-19	BC91-390	269
	IX-92-53	BC92-254	294
	IX-92-89	BC93-653	324
	IX-95-23	BC95-428	353
	IX-98-03	BC97-479	383
	IX-98-05	BC98-009	389
	IX-98-07	BC98-009	390
	IX-98-17	BC98-055	403
types of test required	IX-01-01	BC00-514	419
visual examination	IX-92-17	BC91-315	268
	IX-01-10	BC01-073	428
Process			
definition of	IX-83-58	BC83-086	37
performance qualification	IX-83-69	BC83-233	42
variables for	IX-86-12	BC85-482	117
Production Welds			
liquid penetrant examination	IX-92-13	BC91-278	267
Qualified Thickness Range			
performance			
for different positions	IX-83-23	BC82-530	15
	IX-86-30	BC86-104	131
for dissimilar base metal thicknesses	IX-83-123	BC84-092	80
	IX-89-37	BC89-358	212
for hardfacing overlay	IX-92-05	BC90-632	263
	IX-98-05	BC98-009	389
for pipe	IX-83-66	BC83-058	41
	IX-86-29	BC86-103	130
for weld overlays	IX-83-101	BC83-529	64
	IX-86-27	BC86-061	129
weld reinforcement	IX-83-07	BC82-246	9
	IX-83-143	BC84-581	89
procedure			
changes in later editions	IX-83-88	BC83-396	54
effect of PWHT	IX-83-11	BC82-300	11
for brazed laps	IX-83-49	BC82-871	33
	IX-86-21	BC86-058	126
for cladding	IX-83-48	BC82-870	32
	IX-98-16	BC98-453	398
for double-bevel groove welds	IX-83-90	BC83-407	55
for dissimilar base metal thickness	IX-86-89	BC88-089	176
for groove welds	IX-89-100	BC90-663	252
	IX-89-100R	BC90-663*	261
	IX-98-03	BC97-479	383
for hardfacing overlay	IX-92-05	BC90-632	263
	IX-98-05	BC98-009	389
	IX-98-16	BC98-453	398
for multiprocess procedures	IX-83-83	BC83-394	53
	IX-83-126	BC84-221	82
for notch toughness	IX-89-86	BC90-734	245
for weld repair	IX-83-93	BC83-531	56
	IX-83-126	BC84-221	82
	IX-83-141	BC84-434	89
	IX-86-28	BC86-062	130
impact testing	IX-83-81	BC83-395	51

<u>Subject</u>	<u>Interpretation</u>	<u>File No.</u>	<u>Page No.</u>
Qualified Thickness Range (Cont'd)			
limitation when using GMAW-S	IX-83-18	BC82-423	14
	IX-95-33	BC96-001	367
limitations for combined procedures	IX-95-28	BC96-002	360
	IX-83-80	BC83-388	50
limitations of QW-451	IX-95-33	BC96-001	367
	IX-83-102	BC83-551	65
	IX-83-152	BC84-648	96
	IX-86-36	BC86-280	139
	IX-89-83	BC90-532	243
minimum for weld metal	IX-83-81	BC83-395	51
	IX-89-39	BC89-361	213
ranges qualified by PQR	IX-83-36	BC82-757	25
	IX-83-64	BC83-222	40
	IX-89-11	BC88-399	186
	IX-01-12	BC01-201	430
thickness for determining weld reinforcement	IX-83-05	BC82-237	8
	IX-83-08	BC82-265	10
thickness used to determine range	IX-83-94	BC83-284	61
	IX-86-43	BC86-337	142
	IX-89-18	BC88-474	193
Records (see also Procedure Qualification Record)			
maintenance of performance qualification	IX-83-32	BC82-598	19
	IX-92-55	BC92-307	295
	IX-01-08	BC01-030	427
Root Gap			
qualification of	IX-83-71	BC83-230	43
use of term	IX-83-04	BC82-098	8
SFA Specifications			
AWS classification change	IX-83-147	BC84-249	95
change of designations in a classification	IX-83-59	BC82-614	37
change of electrode classification	IX-83-61	BC82-831	39
	IX-89-13	BC88-402	187
Chemistry deviation	IX-92-21	BC91-397	270
	IX-89-08	BC88-172	185
classification listed in AWS specification	IX-92-94	BC93-754	326
electrode classification	IX-89-76	BC90-466	235
	IX-95-13	BC94-035	345
electrode spacing	IX-86-63	BC86-520	154
heat treatment conditions	IX-83-46	BC82-751	31
mechanical tests	IX-89-97	BC90-873	251
	IX-83-27	BC82-713	17
use of	IX-86-65	BC87-031A	155
use of different electrode brands	IX-92-61	BC92-422	304
use of powdered filler metal			
Shielding Gases			
procedure qualification using	IX-83-02	BC81-704	6
	IX-92-62	BC92-425	304
purity	IX-95-11	BC95-002	344
SI Units			
use of	IX-83-85	BC83-003	53
S-Numbers			
qualification	IX-92-98	BC94-236	327
	IX-95-07	BC94-522	343
Standard Welding Procedure Specifications (SWPSs)			
use of	IX-01-11	BC01-089	429

<u>Subject</u>	<u>Interpretation</u>	<u>File No.</u>	<u>Page No.</u>
Supplementary Essential Variables (see also Variables)			
qualifying changes in	IX-83-79	BC83-358	50
	IX-83-122	BC83-645	80
	IX-83-135	BC84-397	87
Test Specimens			
acceptance criteria for bend specimens	IX-83-60	BC82-749	38
	IX-83-115	BC83-279	77
	IX-86-61	BC86-515	153
	IX-89-52	BC90-044	219
	IX-95-15	BC95-094	346
acceptance criteria for section test	IX-83-76	BC83-248	44
	IX-83-120	BC83-474	79
bending of	IX-83-51	BC82-881	34
brazing joint clearance	IX-86-11	BC85-420	117
calibration of testing machines	IX-83-109	BC83-689	68
cold straightening of	IX-83-60	BC82-749	38
corrosion-resistant overlay	IX-92-05	BC90-632	263
	IX-92-60	BC92-421	303
determining coupon thickness	IX-83-77	BC83-253	49
	IX-83-78	BC83-300	50
	IX-83-143	BC84-581	89
dimensions recorded on PQR	IX-83-26	BC82-182	17
	IX-83-144	BC84-583	90
face and root bends, transverse	IX-89-72	BC90-042	233
failure of	IX-83-153	BC84-664	97
	IX-86-09	BC85-200	116
fillet welds	IX-95-08	BC94-543	343
for multiprocess welds	IX-83-43	BC82-822	29
for peel or section tests	IX-83-76	BC83-248	44
grinding of overlay specimens	IX-83-60	BC82-749	38
guided-bend tests	IX-92-10	BC91-261	265
	IX-95-15	BC95-094	346
	IX-98-12	BC98-237,	396
		BC98-238	
longitudinal bend	IX-89-107	BC91-124	255
mandrel size	IX-83-74	BC82-867	44
	IX-86-71	BC87-090	157
method of restraint	IX-86-37	BC86-297	139
	IX-86-38	BC86-298	140
minimum weld metal deposit thickness	IX-92-68	BC92-011	306
nondestructive testing of	IX-86-83	BC87-489A	174
number of tension test specimens	IX-92-37	BC92-097	282
partial penetration	IX-89-99	BC91-022	251
product form	IX-86-40	BC86-329	141
	IX-89-07	BC88-171	184
qualification of	IX-89-45	BC89-368	216
	IX-92-29	BC91-473	279
reduced section	IX-83-65	BC83-225	40
	IX-89-25	BC89-099	197
	IX-89-90	BC90-532	247
	IX-92-76	BC93-515	314
	IX-92-79	BC93-583	315
removal	IX-83-15	BC82-388	13
	IX-83-119	BC84-253	79
	IX-92-79	BC93-583	315
roll planishing	IX-86-26	BC86-059	129
size of specimen required	IX-83-38	BC82-771	26
	IX-83-73	BC82-866	43
	IX-86-45	BC86-366	142
tension, full section for small diameter pipe	IX-89-103	BC91-096	253
tension, reduced section for lap and rabbet joints, plate	IX-89-81	BC90-537	237
tension test results	IX-92-14	BC91-279	267

<u>Subject</u>	<u>Interpretation</u>	<u>File No.</u>	<u>Page No.</u>
Test Specimens (Cont'd)			
	IX-92-63	BC92-452	304
	IX-95-06	BC94-542	336
	IX-95-09	BC94-570	344
	IX-98-09	BC97-302	395
test jig dimensions for bend tests	IX-92-48	BC92-267	293
	IX-92-49	BC92-268	293
tolerances	IX-95-02	BC94-181	333
transverse bend	IX-89-107	BC91-124	255
using radiography	IX-83-157	BC84-700	98
	IX-86-62	BC86-517	153
	IX-01-04	BC00-653	420
visual requirements	IX-83-149	BC84-558	95
	IX-01-04	BC00-653	420
Unlisted Materials (Non-Code Material)			
A-Number classification	IX-83-140R	BC84-250*	137
	IX-89-46	BC89-369	216
	IX-89-55	BC89-371	220
P-Numbers for	IX-83-34	BC82-514	25
	IX-83-62	NI83-004	39
	IX-83-115	BC83-279	77
	IX-83-131	BC84-365	85
identifying welding electrodes in cartons	IX-89-65	BC90-289	225
qualification of	IX-83-45	BC82-385	30
	IX-83-136	BC84-398	87
	IX-95-21	BC95-318	353
	IX-95-22	BC95-251	353
SAW flux/wire combinations	IX-83-46	BC82-751	31
use of filler metals	IX-83-25	BC81-160	16
	IX-86-76	BC87-137	166
Variables			
changes to the WPS	IX-83-54	BC83-042	35
	IX-89-70	BC90-430	227
flexible welding back-up tape	IX-86-80	BC87-253	167
listing on the WPS	IX-83-03	BC82-056	7
	IX-86-14	BC85-483	126
	IX-89-82	BC90-531	243
	IX-89-85	BC90-671	244
ranges demonstrated on the PQR	IX-83-40	BC82-794	27
recording on the PQR	IX-83-26	BC82-182	17
Welder Qualification (see Performance Qualification Testing)			
Welding Operator Qualification (see Performance Qualification Testing)			
Welding Procedure Specification			
certification	IX-83-03	BC82-056	7
	IX-89-43	BC89-365	215
changes in	IX-83-37	BC82-770	26
	IX-83-118	BC84-183	78
	IX-83-125	BC84-151	81
	IX-83-150	BC84-617	96
	IX-86-67	BC87-038	155
	IX-92-30	BC91-587	279
combination of processes	IX-83-164	BC85-023	103
	IX-86-01	BC85-036	113
	IX-86-06	BC85-328	115
	IX-86-23	BC85-553	127
	IX-86-56	BC86-429	146
	IX-86-60	BC86-514A	152
	IX-86-87	BC87-490A	175

<u>Subject</u>	<u>Interpretation</u>	<u>File No.</u>	<u>Page No.</u>
Welding Procedure Specification (Cont'd)			
	IX-89-26	BC89-103	197
	IX-89-67	BC90-335	226
	IX-95-10	BC94-662	344
combining of	IX-86-08	BC85-134	116
	IX-92-75	BC93-490	313
	IX-92-77	BC93-518	314
electrical characteristics	IX-95-18	BC95-220	351
for corrosion-resistant weld metal overlay	IX-86-59	BC86-458	152
	IX-89-12	BC88-401	187
	IX-95-41	BC97-028	376
for weld repair/buildup	IX-83-160	BC84-219	100
information recorded on	IX-83-127	BC84-224	83
	IX-86-04	BC85-304	114
	IX-86-10	BC85-307	117
	IX-86-14	BC85-483	123
	IX-86-54	BC86-400	146
	IX-89-03	BC88-166A	182
	IX-89-16	BC88-405	188
	IX-89-19	BC88-476	194
	IX-95-11	BC95-002	344
manufacturer's and contractor's responsibility	IX-89-73	BC90-319	234
	IX-92-07	BC91-156	264
	IX-92-80	BC93-584	316
	IX-92-81	BC92-306	316
	IX-95-25	BC95-252	359
	IX-95-26	BC95-303	359
	IX-95-27	BC95-482	360
	IX-95-29	BC95-302	360
	IX-95-40	BC93-431, BC95-222	376
	IX-01-02	BC00-553	419
	IX-98-02	BC97-309	383
meeting requirements of older editions	IX-92-86	BC93-158	318
P-Number	IX-89-36	BC89-357	212
	IX-89-58	BC90-249	221
qualification	IX-89-04	BC88-167	182
	IX-89-35	BC89-307	211
	IX-89-66	BC90-281	226
	IX-95-01	BC94-104	333
requelification of	IX-89-14	BC88-403	187
	IX-89-42	BC89-364	215
	IX-89-17	BC88-473	193
	IX-89-41	BC89-363	214
	IX-89-54	BC89-367	220
	IX-92-38	BC91-630	283
	IX-95-04	BC94-296	335
	IX-95-16	BC95-095	346
short circuiting mode	IX-95-28	BC96-002	360
	IX-95-33	BC96-001	367
supplied to welder	IX-83-17	BC82-422	13
support of	IX-83-146	BC84-619	90
	IX-86-42	BC86-331	141
	IX-86-55	BC86-426	146
	IX-89-26	BC89-103	197
	IX-89-68	BC90-349	227
use for an unassigned material	IX-89-41	BC89-363	214
	IX-01-07	BC01-029	427
use of at job sites	IX-83-12	BC82-341	11
use of by subcontractor	IX-86-49	BC86-367	144
weld joint	IX-89-53	BC90-045	219
	IX-95-01	BC94-104	333



ASME Boiler and Pressure Vessel Code
SECTION IX

INTERPRETATIONS
Volume 51

The Interpretations to the Code will be issued twice a year (July and December) up to the publication of the 2004 Edition of the Code. The Interpretations for each individual Section are published separately and are part of the update service to that Section; Interpretations of Section III, Divisions 1 and 2, are part of the update service to Section III, Subsection NCA.

Interpretations Volumes 42 through 47 were included with the update service to the 1998 Edition of the Code; Volume 48 is the first Interpretations volume to be included with the update service to the 2001 Edition.

Section	Vol. 48	Vol. 49	Vol. 50	Vol. 51	Vol. 52	Vol. 53
I	7/01	12/01	7/02	12/02		
II-A	7/01	12/01	7/02	12/02		
II-B	7/01	12/01	7/02	...		
II-C	...	12/01		
II-D	...	12/01		
III-NCA	7/01	12/01	7/02	12/02		
III-3	...	12/01		
IV	7/01	12/01	7/02	...		
V	...	12/01	7/02	12/02		
VI	...	12/01		
VII	...	12/01		
VIII-1	7/01	12/01	7/02	12/02		
VIII-2	...	12/01	7/02	12/02		
VIII-3	7/01	12/01		
IX	7/01	12/01	7/02	12/02		
X	...	12/01		
XI	7/01	12/01	7/02	12/02		



S09012

Copyright © 2002
THE AMERICAN SOCIETY OF MECHANICAL ENGINEERS
All rights reserved

INTERPRETATIONS

VOLUME 51 — SECTION IX

Replies to Technical Inquiries
January 1, 2002 through June 30, 2002

FOREWORD

General Information

This publication includes all written interpretations issued between the indicated dates by the ASME Staff on behalf of the ASME Boiler and Pressure Vessel Committee in response to inquiries concerning interpretations of the ASME Boiler and Pressure Vessel Code. A contents is also included which lists subjects specific to the interpretations covered in the individual volume.

These interpretations are taken verbatim from the original letters, except for a few typographical and editorial corrections made for the purpose of improved clarity. In some instances, a review of the interpretation revealed a need for corrections of a technical nature. In these cases, a revised interpretation is presented bearing the original interpretation number with the suffix R and the original file number with an asterisk. Following these revised interpretations, new interpretations and revisions to them issued during the indicated dates are assigned interpretation numbers in chronological order. Interpretations applying to more than one Code Section appear with the interpretations for each affected Section.

ASME procedures provide for reconsideration of these interpretations when or if additional information is available which the inquirer believes might affect the interpretation. Further, persons aggrieved by an interpretation may appeal to the cognizant ASME committee or subcommittee. As stated in the Statement of Policy in the Code documents, ASME does not "approve," "certify," "rate," or "endorse" any item, construction, proprietary device, or activity.

An interpretation applies either to the Edition and Addenda in effect on the date of issuance of the interpretation or the Edition and Addenda stated in the interpretation. Subsequent revisions to the Code may supersede the interpretation.

For detailed instructions on preparation of technical inquiries to the ASME Boiler and Pressure Vessel Committee, refer to Appendix A.

Subject and Numerical Indexes

Subject and numerical indexes have been prepared to assist the user in locating interpretations by subject matter or by location in the Code. They cover interpretations issued from Volume 12 up to and including the present volume, and will be updated with each volume.

SECTION IX

<u>Subject</u>	<u>Interpretation</u>	<u>File No.</u>
ASME BPV Section II, Part C	IX-01-25	BC01-815
QW-100.3, The Use of the Referenced Edition of the Code	IX-01-26	BC01-826
QW-100.3, QW-420.1, P-Number Reassignment	IX-01-22	BC01-679
QW-151.1(d), Reduced Section — Plate; QW-200.4(b), Combination of Processes; QW-322, Expiration and Renewal of Qualifications	IX-01-21	BC01-035
QW-200.4, Impact Test Qualification of Multiprocess Welds	IX-01-24	BC01-814
QW-202.4, Dissimilar Base Metal Thicknesses	IX-01-23	BC01-789
QW-452.1, Nominal Coupon Thickness	IX-01-27	BC02-111

Interpretation: IX-01-21

Subject: QW-151.1(d), Reduced Section — Plate; QW-200.4(b), Combination of Processes; QW-322, Expiration and Renewal of Qualifications

Date Issued: January 19, 2002

File: BC01-035

Background [(1), (2), (3)]: A welder is qualified for manual SMAW and GTAW, and semiautomatic FCAW and GMAW.

Question (1): Do welders maintain their qualifications for manual SMAW and GTAW by welding with either semiautomatic GMAW or FCAW?

Reply (1): No.

Question (2): Do welders maintain their qualifications for both SMAW and GTAW by welding with only one of the processes during the six-month period?

Reply (2): No.

Question (3): Do welders maintain their qualifications for semiautomatic GMAW and FCAW by welding with either GMAW or FCAW during the six-month period?

Reply (3): Yes.

Background (4): A WPS was qualified using a Trade Name wire-flux combination that conforms to a classification in ASME Section II, Part C.

Question (4): Does the substitution in the qualified WPS of a different Trade Name wire-flux combination that conforms to the same SFA Specification and classification in ASME Section II, Part C require requalification?

Reply (4): No.

Background (5): The tensile specimens of a 60 mm PQR test plate was divided into three pieces. The sum of the thickness of the three specimens was less than 60 mm.

Question (5): What is the allowable percentage thickness reduction from the original base metal thickness?

Reply (5): Section IX does not address this issue.

Interpretation: IX-01-22

Subject: QW-100.3, QW-420.1, P-Number Reassignment

Date Issued: March 11, 2002

File: BC01-679

Question: May a previous qualified WPS, written to permit the welding of P-No. 5, Group 1 material to P-No. 5 Group 4 material prior to the establishment of P-Nos. 5A, 5B, and 5C be used to weld SA-213 T22 to SA-213 T91 materials?

Reply: Yes.

Interpretation: IX-01-23

Subject: QW-202.4, Dissimilar Base Metal Thicknesses

Date Issued: March 11, 2002

File: BC01-789

Question: A WPS is qualified to weld base material from 1.6 mm to 20 mm. May that WPS be used for welding a part 30 mm thick that has been tapered to 15 mm thick to another 15 mm part?

Reply: Yes.

Interpretation: IX-01-24

Subject: QW-200.4, Impact Test Qualification of Multiprocess Welds

Date Issued: March 11, 2002

File: BC01-814

Question: A welding procedure qualification is made using multiple welding processes on a single test plate for an application where notch-toughness testing is required. The weld coupon was welded with two passes each of GTAW and FCAW, and the remainder with SAW process. Is it required to take multiple sets of weld metal impact test specimens to include all welding processes when all welding could not be included in a single set of specimens?

Reply: Yes.

Interpretation: IX-01-25

Subject: ASME BPV Section II, Part C

Date Issued: March 11, 2002

File: BC01-815

Question: Does Section II, Part C mandate the use of SFA 5.01?

Reply: No.

Interpretation: IX-01-26

Subject: QW-100.3, The Use of the Referenced Edition of the Code

Date Issued: March 11, 2002

File: BC01-826

Background: A designer specifies a specific year of the ASME Code to be complied with for the fabrication of a component, i.e., including 96 Addenda, and this component is installed in 2003.

Question (1): What year of Section IX does the installer use for qualifying welders/welding operators?

Reply (1): Welders are qualified in accordance with the current edition and addenda of Section IX in effect at the time of the qualification. See QW-100.3.

Question (2): What year of Section II does the installer use for purchasing welding materials?

Reply (2): Section IX does not address this issue. The question should be addressed to the applicable construction code.

Interpretation: IX-01-27

Subject: QW-452.1, Nominal Coupon Thickness

Date Issued: March 11, 2002

File: BC02-111

Question: A welder welds an NPS 6 Schedule 80 test coupon that is 0.432 in. thick. He uses one welding process, one set of essential variables, and deposits at least three layers of weld metal in that test coupon. Is that welder qualified to weld "maximum to be welded?"

Reply: No. The nominal coupon thickness must be at least $\frac{1}{2}$ in. thick in order for a welder to be qualified for "maximum to be welded."



NUMERICAL INDEX

<u>Location</u>	<u>Interpretation</u>	<u>File No.</u>	<u>Page No.</u>	<u>Location</u>	<u>Interpretation</u>	<u>File No.</u>	<u>Page No.</u>
Appendix C	IX-92-98	BC94-236	327	Part QW			
Code Case 2141	IX-92-82	BC93-434	317	QW-100.1	IX-83-17	BC82-422	13
Code Case 2142-1	IX-01-16	BC01-338	433		IX-89-03	BC88-166A	182
Code Case 2143-1	IX-01-16	BC01-338	433	QW-100.3	IX-83-99	BC83-472	63
Q-11, 1971 Edition	IX-83-02	BC81-704	6		IX-92-86	BC93-658	318
Q-11(b)(3), 1971 Edition, Winter 1973 Addenda	IX-83-41	BC82-796	28		IX-01-22	BC01-679	440
				QW-103	IX-01-26	BC01-826	441
Q-11(5), 1971 Edition, Winter 1973 Addenda	IX-83-40	BC82-794	27		IX-92-09	BC91-260	265
Section II, Part C					IX-92-80	BC93-584	316
	IX-89-97	BC90-873	250	QW-103.1	IX-92-81	BC92-306	316
	IX-92-27	BC91-471	273	QW-103.2	IX-92-16	BC91-314	268
	IX-92-61	BC92-422	304	QW-144	IX-92-55	BC92-307	295
	IX-92-94	BC93-754	326	QW-150	IX-01-10	BC01-073	428
	IX-92-99	BC93-762,	327	QW-151	IX-83-110	BC83-692	69
		BC93-769			IX-83-38	BC82-771	26
	IX-01-25	BC01-815	441		IX-92-19	BC91-390	269
					IX-92-37	BC92-097	282
Part QB				QW-151.1	IX-89-25	BC89-099	197
...	IX-86-73	BC86-332	159		IX-89-83	BC90-532	243
QB-121	IX-92-86	BC93-655	318		IX-89-90	BC90-532	247
QB-123	IX-92-86	BC93-655	318	QW-151.1(d)	IX-92-79	BC93-583	315
QB-141.4	IX-83-76	BC83-248	44		IX-83-119	BC84-253	79
	IX-98-01	BC97-304	383	QW-151.2	IX-01-21	BC01-035	439
QB-172	IX-89-74	BC90-429	234	QW-151.2(d)	IX-83-120	BC83-474	79
QB-181	IX-83-76	BC83-248	44	QW-151.3	IX-83-95	BC83-301	61
QB-200.4	IX-89-103	BC91-096	253		IX-92-29	BC91-473	279
QB-201.3	IX-86-21	BC86-058	126	QW-153.1	IX-92-63	BC92-452	304
QB-203.1	IX-86-02	BC85-292	113		IX-89-04	BC88-167	182
QB-402.1	IX-92-74	BC93-474	313		IX-95-06	BC94-542	336
	IX-92-93	BC93-752	325	QW-153.1(d)	IX-01-18	BC01-772	435
QB-402.2	IX-83-136	BC84-398	87	QW-160	IX-95-09	BC94-570	344
QB-402.3	IX-83-49	BC82-871	33		IX-83-156	BC84-697	98
QB-406.1	IX-83-118	BC84-183	78		IX-92-10	BC91-261	265
QB-406.3	IX-83-118	BC84-183	78	QW-162.1	IX-95-15	BC95-094	346
QB-408.2	IX-86-11	BC85-420	116		IX-83-115	BC83-279	77
	IX-86-22	BC85-531	126	QW-163	IX-86-37	BC86-297	139
QB-415	IX-92-83	BC93-527	317		IX-83-60	BC82-749	38
QB-451.3 [Note (1)]	IX-98-01	BC97-304	383		IX-83-120	BC83-474	79
QB-452.1 [Note (1)]	IX-83-76	BC83-248	44		IX-86-42	BC86-331	141
QB-461	IX-86-02	BC85-292	113	QW-180	IX-86-61	BC86-515	153
QB-462.1(a)	IX-89-49	BC89-372	218	QW-181.1	IX-92-11	BC91-263	266
QB-462.1(b)	IX-89-49	BC89-372	218	QW-183	IX-86-40	BC86-329	141
QB-462.1(c)	IX-89-81	BC90-537	237	QW-184	IX-92-24	BC91-280	272
QB-463	IX-83-76	BC83-248	44	QW-191	IX-92-24	BC91-280	272
QB-466.3	IX-86-38	BC86-298	140		IX-83-52	BC83-001	34
QB-482	IX-89-93	BC90-783	249		IX-83-142	BC84-548	89
QB-484	IX-89-93	BC90-783	249		IX-83-157	BC84-700	98
					IX-83-174	BC84-557	107

<u>Location</u>	<u>Interpretation</u>	<u>File No.</u>	<u>Page No.</u>	<u>Location</u>	<u>Interpretation</u>	<u>File No.</u>	<u>Page No.</u>
Part QW (Cont'd)					IX-92-81	BC92-306	316
QW-191.2.2	IX-86-62	BC86-517	153		IX-92-92	BC93-678	325
QW-191.2.2(b)(1)	IX-83-173	BC85-013	106		IX-95-25	BC95-252	359
QW-191.2.2(b)(3)	IX-83-173	BC85-013	106		IX-95-26	BC95-303	359
QW-194	IX-01-03	BC00-519	420		IX-95-27	BC95-482	360
	IX-01-10	BC01-073	428		IX-95-29	BC95-302	360
QW-194.1	IX-86-18	BC85-585	125		IX-95-40	BC93-431,	376
QW-195	IX-92-13	BC91-278	267			BC95-222	
QW-200	IX-86-42	BC86-331	141		IX-98-02	BC97-309	383
	IX-89-17	BC88-473	193	QW-201	IX-01-02	BC00-553	419
	IX-92-38	BC91-630	283	QW-201.1	IX-98-18	BC99-025	403
QW-200.1	IX-83-03	BC82-056	7	QW-202	IX-92-17	BC91-315	268
	IX-89-03	BC88-166A	182	QW-202.2	IX-83-103	BC83-237	65
	IX-92-30	BC91-587	279		IX-86-74	BC87-134	165
	IX-98-13	BC98-239	396		IX-92-11	BC91-263	266
QW-200.1(b)	IX-89-85	BC90-671	244	QW-202.2(b)	IX-95-03	BC94-235	334
	IX-95-01	BC94-104	333		IX-01-17	BC01-615	434
QW-200.1(c)	IX-83-54	BC83-042	35	QW-202.2(c)	IX-89-87	BC90-745	245
	IX-83-111	BC84-001	70		IX-89-100	BC90-663	252
QW-200.2	IX-83-03	BC82-056	7		IX-89-100R	BC90-663*	261
	IX-83-72	BC83-269	43	QW-202.3	IX-83-93	BC83-531	56
	IX-86-70	BC87-089	157		IX-83-114	BC84-070	71
	IX-86-87	BC87-490A	175		IX-83-160	BC84-219	100
	IX-92-78	BC93-561	318		IX-86-56	BC86-429	146
	IX-98-04	BC97-481	384		IX-89-12	BC88-401	187
	IX-01-05	BC00-654	420		IX-95-34	BC96-060	368
QW-200.2(b)	IX-83-164	BC85-023	103	QW-202.3(b)	IX-01-17	BC01-615	434
	IX-92-16	BC91-314	268	QW-202.4	IX-83-123	BC84-092	80
	IX-92-25	BC91-415	272		IX-86-36	BC86-280	139
QW-200.2(c)	IX-83-171	BC85-132	105		IX-86-43	BC86-337	142
QW-200.2(f)	IX-86-06	BC85-328	115		IX-86-89	BC88-089	176
QW-200.3	IX-83-115	BC83-279	77		IX-92-11	BC91-263	266
	IX-89-37	BC89-358	212		IX-95-12	BC95-027	345
	IX-89-66	BC90-281	226		IX-01-23	BC01-789	440
QW-200.4	IX-83-80	BC83-388	50	QW-202.4(b)	IX-98-20R	BC99-539*	426
	IX-83-83	BC83-394	53		IX-01-19	BC01-811	435
	IX-86-06	BC85-328	115	QW-203	IX-95-13	BC94-035	345
	IX-86-08	BC85-134	116	QW-204	IX-89-67	BC90-335	226
	IX-86-23	BC85-553	127	QW-211	IX-83-15	BC82-388	13
	IX-86-33	BC86-262	138		IX-89-105	BC91-119	254
	IX-92-77	BC93-518	314	QW-214	IX-86-71	BC87-090	157
	IX-95-10	BC94-662	344		IX-92-06	BC91-054	264
	IX-01-24	BC01-814	440		IX-92-60	BC92-421	303
QW-200.4(a)	IX-86-01	BC85-036	113		IX-95-34	BC96-060	368
	IX-92-42	BC92-011	291	QW-214.1	IX-83-48	BC82-870	32
	IX-92-97	BC94-167	327	QW-214.3	IX-89-77	BC90-492	236
QW-200.4(a)(2)	IX-89-43	BC89-365	215		IX-92-54	BC92-305	295
QW-200.4(b)	IX-92-75	BC93-490	313	QW-216	IX-89-29	BC89-178	204
	IX-01-21	BC01-035	439		IX-92-03	BC90-523	262
QW-201	IX-83-03	BC82-056	7		IX-95-34	BC96-060	368
	IX-83-12	BC82-341	11	QW-216.1	IX-89-32	BC89-287	205
	IX-83-25	BC81-160	16	QW-216.2(d)	IX-89-39	BC89-361	213
	IX-83-39	BC83-792	26		IX-89-77	BC90-492	236
	IX-83-68	BC83-040	41	QW-218	IX-89-31	BC89-178	204
	IX-83-151	BC84-620	96		IX-92-20	BC91-396	270
	IX-86-49	BC86-367	144	QW-250	IX-89-11	BC88-399	186
	IX-89-73	BC90-319	234		IX-89-85	BC90-671	244
	IX-92-07	BC91-156	264	QW-251.2	IX-83-79	BC83-358	50
	IX-92-66	BC93-377	305	QW-251.4	IX-92-44	BC92-168	291
	IX-92-67	BC93-391	306	QW-253	IX-92-57	BC92-354	296
	IX-92-80	BC93-584	316	QW-254	IX-83-27	BC82-713	17

<u>Location</u>	<u>Interpretation</u>	<u>File No.</u>	<u>Page No.</u>	<u>Location</u>	<u>Interpretation</u>	<u>File No.</u>	<u>Page No.</u>
Part QW (Cont'd)							
QW-255	IX-95-16	BC95-095	346	QW-303.1	IX-83-98	BC83-450	63
QW-256	IX-86-26	BC86-059	129		IX-83-155	BC84-692	98
	IX-92-57	BC92-354	296	QW-303.2	IX-86-74	BC87-134	165
QW-280	IX-89-92	BC90-681	248		IX-92-45	BC92-238	292
	IX-92-44	BC92-168,	291	QW-303.3	IX-92-46	BC92-265	292
		BC90-691		QW-304	IX-83-19	BC82-440	14
QW-281.2(b)	IX-89-70	BC90-430	227		IX-83-57	BC83-079	37
QW-281.2(c)	IX-86-59	BC86-458	152		IX-83-91	BC83-528	56
QW-281.2(e)	IX-83-129	BC84-251	84		IX-83-108	BC83-639	68
QW-281.5(a)	IX-89-44	BC89-366	215		IX-86-85	BC87-492	174
QW-282	IX-83-125	BC84-151	81		IX-95-39	BC96-331	375
	IX-89-54	BC89-367	220	QW-304.1	IX-83-128	BC84-226	83
QW-282.4(h)	IX-89-59	BC90-250	222		IX-01-04	BC00-653	420
QW-282.6(m)	IX-83-09	BC82-279	10	QW-305	IX-89-108	BC91-157	256
QW-283	IX-89-22	BC89-094	195	QW-306	IX-83-83	BC83-394	53
QW-284	IX-95-42	BC97-044	377		IX-83-107	BC83-550	67
QW-300	IX-83-21	BC82-499	15		IX-86-23	BC85-553	127
	IX-86-25	BC86-018	128		IX-92-26	BC91-470	273
	IX-89-48	BC89-360	217		IX-92-59	BC92-206	303
	IX-92-91	BC93-755	324		IX-92-68	BC92-011A	306
	IX-92-95	BC94-008	326	QW-310	IX-92-31	BC91-613	280
	IX-95-20	BC95-302	352	QW-310.1	IX-86-35	BC86-266	139
	IX-95-36	BC96-314	369	QW-310.2	IX-89-89	BC90-769	246
	IX-98-11	BC98-133	395	QW-310.4	IX-83-42	BC83-803	28
	IX-98-14	BC98-447	397	QW-310.5(c)	IX-83-70	BC83-270	42
QW-300.1	IX-86-05	BC85-306	114		IX-83-101	BC83-529	64
	IX-86-24	BC86-001	128	QW-311	IX-83-121	BC84-134	80
	IX-86-25	BC86-018	128	(New QW-381)	IX-83-132	BC84-366	85
	IX-95-35	BC96-287	368		IX-83-162	BC84-663	102
QW-300.2	IX-83-133	BC84-370	86		IX-86-27	BC86-061	129
	IX-83-151	BC84-620	96	QW-311(a)	IX-83-101	BC83-529	64
	IX-86-64	BC86-395	154	QW-312(a)	IX-83-134	BC84-396	86
	IX-89-10	BC88-398	186	QW-320	IX-86-24	BC86-001	128
	IX-92-25	BC91-415	272	QW-321	IX-83-13	BC82-346	12
	IX-95-32	BC95-302	367	QW-321.2(a)	IX-86-79	BC87-140	167
	IX-01-08	BC01-030	427	QW-321.3	IX-92-73	BC93-468	313
	IX-01-15	BC01-641	433	QW-322	IX-83-58	BC83-086	37
QW-300.3	IX-92-39	BC92-121	283		IX-83-113	BC84-055	71
	IX-95-14	BC95-040	345		IX-83-117	BC84-133	78
	IX-95-19	BC95-221	352		IX-83-124	BC84-149	81
QW-301	IX-83-103	BC83-237	65		IX-83-128	BC84-226	83
	IX-86-69	BC87-088	156		IX-83-154	BC84-689	97
	IX-89-79	BC90-531	237		IX-83-166	BC85-030	104
	IX-92-17	BC91-315	268		IX-83-167	BC85-031	104
	IX-92-23	BC90-494	271		IX-83-170	BC85-091	105
QW-301.1	IX-83-153	BC84-664	97		IX-86-07	BC85-560	115
QW-301.2	IX-83-31	BC82-395	19		IX-86-19	BC85-587	129
	IX-83-149	BC84-558	95		IX-86-50	BC86-389	144
QW-301.4	IX-83-32	BC82-598	19		IX-89-38	BC89-359	213
	IX-83-163	BC85-022	102		IX-89-54	BC89-367	220
	IX-86-13	BC85-507	118		IX-89-63	BC90-254	224
	IX-86-90	BC88-091	176		IX-92-12	BC91-264	266
	IX-89-30	BC89-177	204		IX-92-22	BC91-425	271
QW-302.2	IX-86-34	BC86-265	138		IX-92-64	BC92-464	305
	IX-86-79	BC87-140	167		IX-95-38	BC96-132	375
QW-302.3	IX-89-64	BC90-297	225		IX-01-21	BC01-035	439
QW-302.4	IX-92-71	BC93-365	312	QW-322(a)	IX-83-150	BC84-617	96
	IX-95-17	BC95-035	351		IX-83-159	BC84-690	99
QW-303	IX-89-98	BC91-003	251		IX-83-164	BC85-023	103
	IX-92-15	BC91-293	267		IX-86-52	BC86-394	145
					IX-86-81	BC87-242	173

<u>Location</u>	<u>Interpretation</u>	<u>File No.</u>	<u>Page No.</u>	<u>Location</u>	<u>Interpretation</u>	<u>File No.</u>	<u>Page No.</u>
Part QW (Cont'd)					IX-86-75	BC87-136	165
	IX-86-82	BC87-252	173		IX-86-78	BC87-139	166
	IX-89-27	BC89-100	203		IX-89-23	BC89-096	196
	IX-89-38	BC89-359	213		IX-89-26	BC89-103	197
	IX-89-54	BC89-367	220		IX-89-75	BC90-443	235
QW-322.1(b)	IX-95-19	BC95-221	352		IX-89-78	BC90-515	236
QW-322.2	IX-92-47	BC92-266	292		IX-92-70	BC92-450	311
QW-322.2(a)	IX-01-12	BC01-201	430		IX-92-70R	BC00-470	425
QW-350	IX-86-51	BC86-390	145		IX-95-21	BC95-318	353
	IX-95-30	BC96-073	361	QW-403.6	IX-83-148	BC84-417	95
QW-351	IX-83-55	BC83-059	36		IX-89-07	BC88-171	184
	IX-83-77	BC83-253	49		IX-89-86	BC90-734	245
	IX-83-143	BC84-581	89		IX-89-96	BC90-872	250
	IX-89-02	BC88-090	181		IX-92-50	BC92-217	293
	IX-92-32	BC91-631	280		IX-92-87	BC93-151	323
QW-355	IX-86-12	BC85-482	117	QW-403.8	IX-83-97	BC83-444	62
	IX-86-46	BC86-219	143		IX-83-127	BC84-224	83
QW-356	IX-79-52R	BC79-046*	49	QW-403.9	IX-83-152	BC84-648	96
	IX-83-116	BC84-054	77	QW-403.10	IX-95-28	BC96-002	360
	IX-86-68	BC87-039	156		IX-95-33	BC96-001	367
	IX-92-01	BC90-501	285		IX-01-01	BC00-514	419
	IX-89-51	BC90-038	219	QW-403.11	IX-83-11	BC82-300	11
	IX-01-09	BC01-032	428		IX-83-35	BC82-599	25
QW-360	IX-86-68	BC87-039	156		IX-83-56	BC83-078	36
QW-361.2	IX-95-31	BC96-141	361		IX-86-75	BC87-136	165
	IX-98-14	BC98-447	397		IX-89-75	BC90-443	235
QW-364	IX-92-58	BC92-357	296		IX-89-84	BC90-664	244
QW-380	IX-89-71	BC90-039	233		IX-89-88	BC90-768	246
	IX-89-92	BC90-681,	248	QW-403.12	IX-89-61	BC90-252	223
		BC90-691		QW-403.16	IX-89-20	BC88-478	194
QW-381	IX-86-27	BC86-061	129		IX-89-82	BC90-531	243
	IX-86-58	BC86-457	152		IX-89-91	BC90-680	247
	IX-86-66	BC87-036	155	QW-403.18	IX-83-106	BC83-630	67
	IX-86-71	BC87-090	157		IX-83-137	BC84-399	87
	IX-92-72	BC93-392	312		IX-86-41	BC86-330	141
	IX-98-14	BC98-447	397	QW-404	IX-83-37	BC82-770	26
QW-382	IX-92-02	BC90-518	262		IX-86-03	BC85-293	114
	IX-92-04	BC90-530	263		IX-86-65	BC87-031A	155
QW-383	IX-86-32	BC86-222	138		IX-86-76	BC87-137	166
	IX-89-101	BC91-085	252		IX-89-105	BC91-119	254
QW-400	IX-83-82	BC83-303	52		IX-98-19	BC99-409	409
QW-401.15	IX-89-28	BC89-174	203	QW-404.4	IX-83-10	BC82-299	10
QW-402	IX-89-53	BC90-045	219		IX-83-87	BC83-340	54
QW-402.3	IX-86-54	BC86-400	146	QW-404.5	IX-83-176	BC85-088	107
QW-402.4	IX-89-28	BC89-174	203		IX-83-140R	BC84-250*	137
QW-402.5	IX-86-54	BC86-400	146		IX-86-57	BC86-263	151
QW-402.6	IX-83-04	BC82-098	8		IX-86-84	BC87-491	174
QW-402.10	IX-83-04	BC82-098	8		IX-89-34	BC89-172	211
	IX-83-71	BC83-230	43		IX-89-55	BC89-371	220
	IX-89-42	BC89-364	215		IX-89-58	BC90-249	221
QW-402.11	IX-86-80	BC87-253	167	QW-404.9	IX-83-46	BC82-751	31
QW-402.12	IX-98-06	BC98-009	389		IX-83-59	BC82-614	37
QW-402.14	IX-98-06	BC98-009	389		IX-83-61	BC82-831	39
QW-403	IX-83-20	BC82-496	14		IX-83-84	BC83-398	53
	IX-83-116	BC84-054	77		IX-83-96	BC83-442	62
QW-403.1	IX-83-45	BC82-385	30		IX-83-169	BC85-089	105
	IX-89-14	BC88-403	187		IX-95-37	BC96-315	369
	IX-95-24	BC95-194	359	QW-404.12	IX-92-21	BC91-397	270
QW-403.5	IX-83-92	BC83-530	56	QW-404.13	IX-83-06	BC82-245	9
	IX-83-135	BC84-397	87		IX-83-47	BC82-790	32
	IX-86-15	BC85-532	123		IX-83-97	BC83-444	62

<u>Location</u>	<u>Interpretation</u>	<u>File No.</u>	<u>Page No.</u>	<u>Location</u>	<u>Interpretation</u>	<u>File No.</u>	<u>Page No.</u>
Part QW (Cont'd)							
	IX-83-100	BC83-563	63		IX-92-87	BC93-151	323
QW-404.14	IX-83-89	BC83-402	55	QW-409.8	IX-92-88	BC93-593	323
	IX-89-68	BC90-349	227		IX-89-19	BC88-476	194
QW-404.15	IX-89-47	BC89-370	217		IX-89-36	BC89-357	212
QW-404.22	IX-83-22	BC82-516	15		IX-92-88	BC93-593	323
	IX-89-91	BC90-680	247	QW-410.7	IX-95-18	BC95-220	351
QW-404.25	IX-89-80	BC90-536	237	QW-410.9	IX-86-55	BC86-426	146
QW-404.26	IX-89-80	BC90-536	237	QW-410.15	IX-86-60	BC86-514A	152
QW-404.28	IX-83-100	BC83-563	63		IX-86-44	BC86-365	142
	IX-89-61	BC90-252	223		IX-86-63	BC86-520	154
QW-404.30	IX-89-20	BC88-478	194	QW-410.25	IX-83-69	BC82-233	42
	IX-89-24	BC89-097	196	QW-410.26	IX-86-26	BC86-059	129
QW-404.31	IX-89-56	BC90-036	221	QW-410.42	IX-98-07	BC98-009	390
QW-404.32	IX-83-112	BC84-038	70	QW-410.51	IX-01-06R	BC98-240*	426
	IX-01-01	BC00-514	419	QW-415	IX-89-79	BC90-531	237
QW-405.1	IX-89-20	BC88-478	194		IX-89-82	BC90-531	243
	IX-89-24	BC89-097	196	QW-416	IX-86-72	BC87-091	158
QW-405.2	IX-83-50	BC82-872	33		IX-86-86	BC87-494	175
QW-405.3	IX-83-177	BC85-092	108	QW-420.2	IX-95-07	BC94-522	343
	IX-86-86	BC87-494	175		IX-01-07	BC01-029	427
	IX-92-01	BC90-501	285	QW-422	IX-83-34	BC82-514	25
	IX-98-15	BC98-448	397		IX-83-131	BC84-365	85
QW-406.1	IX-83-161	BC84-618	101		IX-86-88	BC88-041	176
	IX-83-165	BC85-024	103		IX-89-14	BC88-403	187
QW-406.2	IX-83-161	BC84-618	101		IX-89-36	BC89-357	212
QW-406.3	IX-92-57	BC92-354	296		IX-89-88	BC90-768	246
QW-407	IX-83-130	BC84-252	84		IX-92-08	BC91-257	265
	IX-86-04	BC85-304	114		IX-92-18	BC91-389	297
	IX-86-20	BC86-010	125	QW-423	IX-95-05	BC94-365	336
	IX-86-76	BC87-137	166		IX-86-17	BC85-554	124
QW-407.1	IX-83-29	BC82-763	18		IX-89-15	BC88-404	183
	IX-83-30	BC82-243	18		IX-92-18	BC91-389	297
	IX-98-10	BC97-306,	395	QW-423.1	IX-89-58	BC90-249	221
		BC97-308			IX-92-65	BC93-148	305
	IX-01-20	BC01-813	435	QW-424	IX-89-05	BC88-168	188
QW-407.1(b)	IX-81-31R	BC82-097*	5		IX-89-26	BC89-103	197
	IX-86-47	BC86-223	143		IX-89-41	BC89-363	214
QW-407.2	IX-83-29	BC82-763	18		IX-89-75	BC90-443	235
	IX-83-86	BC83-294	54		IX-89-88	BC90-768	246
	IX-83-145	BC84-584	90	QW-424.1	IX-95-22	BC95-251	353
	IX-92-84	BC93-586	318	QW-432	IX-89-58	BC90-249	221
QW-407.4	IX-83-11	BC82-300	11		IX-83-24	BC82-588	16
	IX-83-35	BC82-599	25		IX-80-52R	BC80-435*	49
	IX-86-23	BC85-553	127		IX-92-99	BC93-762,	327
	IX-92-33	BC91-614	280			BC93-769	
QW-408	IX-01-17	BC01-615	434	QW-442	IX-98-08	BC98-131	390
	IX-89-16	BC88-405	188	QW-450	IX-89-46	BC89-369	216
	IX-95-11	BC95-002	344	QW-450 vs QW-461	IX-83-14	BC82-302	12
QW-408.2	IX-92-62	BC92-425	304	QW-451	IX-83-78	BC83-300	50
	IX-95-16	BC95-095	346		IX-83-01	BC81-702	5
QW-408.3	IX-86-67	BC87-038	155		IX-83-05	BC82-237	8
QW-408.8	IX-83-168	BC85-059	104		IX-83-08	BC82-265	10
QW-408.9	IX-83-146	BC84-619	90		IX-83-36	BC82-757	25
	IX-86-67	BC87-038	155		IX-83-64	BC83-222	40
QW-409	IX-83-26	BC82-182	17		IX-83-104	BC83-349	66
QW-409.1	IX-83-33	BC82-617	19		IX-83-105	BC83-471	66
	IX-83-175	BC85-038	107		IX-83-141	BC84-434	89
	IX-92-40	BC92-110	284		IX-83-177	BC85-092	108
	IX-92-69	BC92-228,	306		IX-86-31	BC86-101	137
		BC92-353			IX-89-07	BC88-171	184
					IX-89-62	BC90-253	224

<u>Location</u>	<u>Interpretation</u>	<u>File No.</u>	<u>Page No.</u>	<u>Location</u>	<u>Interpretation</u>	<u>File No.</u>	<u>Page No.</u>
Part QW (Cont'd)				QW-452.6	IX-89-57	BC90-040	221
	IX-89-83	BC90-532	243	QW-453	IX-92-05	BC90-632	263
	IX-89-99	BC91-022	251		IX-92-72	BC93-392	312
	IX-92-19	BC91-390	269		IX-95-23	BC95-428	353
	IX-92-34	BC91-586	281		IX-95-41	BC97-028	376
	IX-92-37	BC92-097	282		IX-98-05	BC98-009	389
	IX-92-68	BC92-011A	306		IX-98-17	BC98-055	403
	IX-98-03	BC97-479	383	QW-461.1(a)	IX-83-65	BC83-225	40
	IX-98-12	BC98-237,	396	QW-461.9	IX-83-28	BC82-748	18
		BC98-238			IX-83-44	BC82-838	29
QW-451.1	IX-83-18	BC82-423	14		IX-83-53	BC83-002	35
	IX-83-43	BC82-822	29		IX-83-134	BC84-396	86
	IX-83-81	BC83-395	51		IX-86-29	BC86-103	130
	IX-83-88	BC83-396	54		IX-89-98	BC91-003	251
	IX-83-94	BC83-284	61		IX-92-15	BC91-293	267
	IX-83-102	BC83-551	65		IX-92-41	BC92-035	284
	IX-83-122	BC83-645	80		IX-92-46	BC92-265	292
	IX-86-36	BC86-280	139		IX-92-72	BC93-392	312
	IX-86-48	BC86-281	143		IX-92-90	BC93-753	324
	IX-89-18	BC88-474	193	QW-462	IX-86-09	BC85-200	116
	IX-89-107	BC91-124	255		IX-89-102	BC91-086	253
QW-451.3	IX-86-40	BC86-329	141		IX-92-76	BC93-515	312
	IX-92-51	BC92-276	294		IX-95-02	BC94-181	333
	IX-92-56	BC92-308	295	QW-462.1	IX-83-110	BC83-692	69
QW-452	IX-83-07	BC82-246	9		IX-92-29	BC91-473	279
	IX-83-16	BC82-396	13		IX-98-09	BC97-302	395
	IX-83-67	BC83-123	41	QW-462.1(a)	IX-86-45	BC86-366	142
	IX-83-104	BC83-349	66		IX-89-25	BC89-099	197
	IX-86-30	BC86-104	131	QW-462.1(d)	IX-83-139	BC83-629	88
	IX-86-39	BC86-299	140		IX-89-89	BC90-769	246
	IX-89-02	BC88-090	181	QW-462.1(e)	IX-83-95	BC83-301	61
QW-452.1	IX-83-66	BC83-058	41	QW-462.3(a)	IX-83-144	BC84-583	90
	IX-83-88	BC83-396	54		IX-89-72	BC90-042	233
	IX-83-90	BC83-407	55	QW-462.3(b)	IX-83-144	BC84-583	90
	IX-89-06	BC88-169	183	QW-462.4	IX-92-51	BC92-276	294
	IX-89-21	BC89-031	195	QW-462.4(a)	IX-95-08	BC94-543	343
	IX-89-52	BC90-044	219	QW-462.4(b)	IX-89-45	BC89-368	216
	IX-89-64	BC90-297	225	QW-462.5	IX-92-05	BC90-632	263
	IX-89-95	BC90-869	250		IX-92-52	BC92-252	294
	IX-89-107	BC91-124	255	QW-462.5(a)	IX-98-16	BC98-453	398
	IX-92-35	BC91-277	281	QW-463.1(b)	IX-83-15	BC82-388	13
	IX-92-36	BC91-616	282	QW-463.2(g)	IX-83-75	BC83-149	44
	IX-92-53	BC92-254	294	QW-466	IX-83-51	BC83-881	34
	IX-92-59	BC92-206	303		IX-92-48	BC92-267	293
	IX-92-89	BC93-653	324		IX-92-49	BC92-268	293
	IX-01-27	BC02-111	441		IX-95-15	BC95-094	346
QW-452.3	IX-83-22	BC82-516	15	QW-466.1	IX-83-73	BC82-866	43
	IX-83-23	BC82-530	15		IX-83-74	BC82-867	44
	IX-83-66	BC83-058	41		IX-83-115	BC83-279	77
	IX-83-158	BC84-368	99		IX-89-37	BC89-358	212
	IX-86-29	BC86-103	130	QW-466.3	IX-83-109	BC83-689	68
	IX-89-09	BC88-397	185		IX-86-37	BC86-297	139
	IX-89-69	BC90-401	227	QW-482	IX-86-14	BC85-483	123
	IX-89-94	BC90-785	249		IX-89-01	BC88-042	181
	IX-89-104	BC91-097	253	QW-483	IX-86-14	BC85-483	123
	IX-89-106	BC91-120	254		IX-86-70	BC87-089	157
	IX-92-59	BC92-206	303	QW-484	IX-83-53	BC83-002	35
	IX-92-89	BC93-653	324	QW-492	IX-86-16	BC85-533	124
	IX-95-04	BC94-296	335		IX-89-62	BC90-253	224
QW-452.4	IX-92-45	BC92-238	292		IX-92-43	BC92-100	291
	IX-92-51	BC92-276	294		IX-98-15	BC98-448	397

<u>Location</u>	<u>Interpretation</u>	<u>File No.</u>	<u>Page No.</u>	<u>Location</u>	<u>Interpretation</u>	<u>File No.</u>	<u>Page No.</u>
Part QW (Cont'd)							
QW-500	IX-01-14	BC01-332	433	QW-510	IX-01-11	BC01-089	429
				QW-540	IX-01-11	BC01-089	429

SUBJECT INDEX

<u>Subject</u>	<u>Interpretation</u>	<u>File No.</u>	<u>Page No.</u>
Base Metals			
P-Number substitution	IX-83-20	BC82-496	14
	IX-83-56	BC83-078	36
	IX-83-96	BC83-442	62
	IX-86-17	BC85-554	124
	IX-86-18	BC85-585	125
	IX-89-29	BC89-176	204
	IX-89-61	BC90-252	223
	IX-89-75	BC90-443	235
	IX-95-21	BC95-318	353
	IX-95-22	BC95-251	353
	IX-95-24	BC95-194	359
P-Number reassignment	IX-01-22	BC01-679	440
qualifying for notch toughness	IX-83-92	BC83-530	54
	IX-86-48	BC86-281	143
	IX-89-75	BC90-443	235
	IX-89-84	BC90-664	244
	IX-89-96	BC90-872	250
	IX-92-70	BC92-450	311
	IX-92-70R	BC00-470	425
	IX-92-87	BC93-151	323
qualifying for test specimens	IX-89-37	BC89-358	212
	IX-89-88	BC90-768	246
thickness	IX-01-01	BC00-514	419
	IX-01-19	BC01-811	435
use of as filler metal	IX-83-87	BC83-340	56
Brazing Base Metals			
P-Number substitution	IX-92-74	BC93-474	313
Brazing Procedure Qualification			
by Part QW welding qualification	IX-92-83	BC93-527	317
electrode classification	IX-95-13	BC94-035	345
for attaching small penetrations	IX-86-73	BC86-332	159
qualification by proof test	IX-86-53	BC86-399	145
S-Number substitution	IX-92-93	BC93-752	325
Brazing Procedure Specification			
combination of thicknesses	IX-89-104	BC91-097	253
qualification of hard-facing	IX-92-83	BC93-527	317
recording information on BPS	IX-89-93	BC90-783	249
recording information on the Brazer or Brazing Operator			
Qualification Test	IX-89-94	BC90-785	249
requalification of	IX-86-22	BC85-531	126
Brazing Test Specimens			
butt and scarf joints	IX-89-49	BC89-372	218
positions	IX-92-85	BC93-655	318

<u>Subject</u>	<u>Interpretation</u>	<u>File No.</u>	<u>Page No.</u>
Certification			
of the PQR.....	IX-83-03	BC82-056	7
of the WPS.....	IX-83-03	BC82-056	7
Consumable Inserts			
addition/deletion.....	IX-89-91	BC90-680	247
performance qualification.....	IX-83-06	BC82-245	9
	IX-83-22	BC82-516	15
qualifying viewing windows.....	IX-83-104	BC83-349	66
Cover Pass			
remelting of.....	IX-83-89	BC83-402	55
Diameters, Pipe			
performance qualification.....	IX-83-55	BC83-059	29
ranges listed on the WPS.....	IX-83-44	BC82-838	36
	IX-89-82	BC90-531	243
Dust			
amount in powdered filler metal.....	IX-83-09	BC82-279	10
Edition of Code			
the use of the referenced edition of the Code.....	IX-01-13	BC01-570	430
	IX-01-26	BC01-826	441
Essential Variables (see Variables)			
Filler Materials (see also SFA Specifications)			
change in electrode classification.....	IX-83-84	BC83-303	53
	IX-89-61	BC90-252	223
	IX-92-21	BC91-397	270
	IX-98-19	BC99-409	409
change in wire classification.....	IX-83-84	BC83-398	53
	IX-83-169	BC85-089	105
	IX-95-37	BC96-315	369
	IX-98-19	BC99-409	409
chemical analysis of weld deposit.....	IX-86-57	BC86-263	151
electrode spacing.....	IX-86-44	BC86-365	142
flux-cored consumable.....	IX-89-105	BC91-119	254
nonferrous.....	IX-83-176	BC85-088	107
qualifying as a welded buildup.....	IX-83-114	BC84-070	71
supplementary powder, addition, deletion or increase.....	IX-89-80	BC90-536	237
without SFA specification.....	IX-86-03	BC85-293	114
Flux			
active/neutral.....	IX-86-16	BC85-533	124
F-Numbers			
change in.....	IX-83-10	BC82-299	10
	IX-89-28	BC89-174	203
classification.....	IX-89-46	BC89-369	216
	IX-92-99	BC93-762	327
		BC93-769	327
classification of martensitic materials.....	IX-83-24	BC82-588	16
use of electrodes to conform F-No.....	IX-89-29	BC89-176	204
	IX-01-16	BC01-338	433
Interpass Temperatures			
listing of on the WPS.....	IX-83-41	BC82-796	28
	IX-83-161	BC84-618	101
qualification of.....	IX-83-41	BC82-796	28
	IX-83-129	BC84-251	84

<u>Subject</u>	<u>Interpretation</u>	<u>File No.</u>	<u>Page No.</u>
Machine Welding			
definition of	IX-92-43	BC92-100	291
Multiprocess Welds			
qualified thickness range for performance qualification	IX-83-14	BC83-302	12
	IX-89-35	BC89-307	211
qualified thickness range for procedure qualification	IX-83-83	BC83-394	53
	IX-95-33	BC96-001	367
required test specimens for procedure qualification	IX-83-01	BC81-702	5
root pass without backing	IX-89-01	BC88-042	181
with notch-toughness requirements	IX-83-33	BC82-617	19
Nonessential Variables (see also Variables)			
addressing	IX-98-13	BC98-239	396
ranges for	IX-83-04	BC82-098	8
Normalized Materials			
qualified by non-normalized materials	IX-83-86	BC83-294	54
Nozzle Joint Design			
base metal thickness	IX-86-31	BC86-101	137
Operational Control			
change in company name	IX-83-25	BC81-160	16
contractor's associations	IX-83-68	BC83-040	41
of welding procedures	IX-83-03	BC82-056	7
	IX-83-151	BC84-620	96
	IX-86-64	BC86-395	154
organizations not involved in Code applications	IX-83-39	BC82-792	26
Peel Test, Brazing			
acceptance criteria	IX-89-74	BC90-429	234
	IX-98-01	BC97-304	383
Performance Qualification			
A-number substitution	IX-86-84	BC87-491	174
	IX-89-29	BC89-176	204
	IX-92-18	BC91-389	297
alternate base materials for welder qualification	IX-92-18	BC91-389	297
	IX-92-65	BC93-148	305
applied lining or clad plate	IX-89-101	BC91-085	252
by several contractors simultaneously	IX-86-25	BC86-018	128
	IX-86-81	BC87-242	173
	IX-95-32	BC95-302	367
change in angle groove	IX-86-69	BC87-088	156
change in vertical welding	IX-92-01	BC90-501	285
combination of welding processes	IX-92-01	BC90-501	285
	IX-92-26	BC91-470	273
consumable inserts	IX-83-06	BC82-245	9
	IX-83-22	BC82-516	15
corrosion-resistant weld metal overlay	IV-86-32	BC86-222	138
	IX-86-58	BC86-457	152
	IX-86-66	BC87-036	155
	IX-89-79	BC90-531	237
	IX-89-71	BC90-039	233
	IX-92-72	BC93-392	312
	IX-95-23	BC95-428	353
	IX-95-30	BC96-073	361
	IX-98-14	BC98-447	397
diameter limitation	IX-89-09	BC88-397	185
	IX-89-69	BC90-401	227
	IX-89-98	BC91-003	251
	IX-89-104	BC91-097	253

<u>Subject</u>	<u>Interpretation</u>	<u>File No.</u>	<u>Page No.</u>
Performance Qualification (Cont'd)			
	IX-89-106	BC91-120	254
	IX-92-15	BC91-263	267
	IX-92-41	BC92-035	284
	IX-92-90	BC93-753	324
	IX-95-04	BC94-296	335
editorial correction to WPQ.....	IX-92-96	BC93-755	326
effective operational control of.....	IX-89-10	BC88-398	186
	IX-95-20	BC95-302	352
	IX-95-32	BC95-302	367
electrodes.....	IX-95-30	BC96-073	361
employer's responsibility.....	IX-01-15	BC01-641	433
fillet welds.....	IX-83-04	BC82-098	8
	IX-83-103	BC83-237	65
	IX-86-28	BC86-062	130
	IX-92-45	BC92-238	292
fillet welds qualified by groove welds.....	IX-83-16	BC82-396	13
	IX-83-98	BC84-450	63
	IX-86-74	BC87-134	165
	IX-89-31	BC89-178	204
	IX-89-87	BC90-745	245
F-Number qualification.....	IX-79-52R	BC79-046*	49
	IX-80-52R	BC80-435*	49
	IX-98-08	BC98-131	390
further training.....	IX-83-13	BC82-346	12
groove welds.....	IX-83-16	BC82-396	13
	IX-89-20	BC88-478	194
	IX-89-89	BC90-769	246
	IX-89-94	BC90-785	249
	IX-95-04	BC94-296	335
hard facing weld metal overlay.....	IX-92-02	BC90-518	262
	IX-95-23	BC95-428	353
machine welding.....	IX-95-31	BC96-141	361
macro examination.....	IX-92-24	BC91-280	272
maintenance of.....	IX-86-82	BC87-252	173
manual/machine welding substitution.....	IX-86-68	BC87-039	156
	IX-89-38	BC89-359	213
manual/semiautomatic welding substitution.....	IX-95-36	BC96-314	369
multiprocess.....	IX-83-14	BC82-302	12
	IX-83-107	BC83-550	67
	IX-86-13	BC85-507	118
	IX-86-23	BC85-553	127
	IX-86-39	BC86-299	140
operator variables.....	IX-83-163	BC85-022	102
	IX-86-05	BC85-306	114
partial-penetration groove welds.....	IX-83-155	BC84-692	98
P-Number substitutions.....	IX-83-40	BC82-794	27
	IX-83-42	BC82-803	28
	IX-83-63	BC83-122	40
	IX-83-70	BC83-270	42
	IX-83-116	BC84-054	77
	IX-83-137	BC84-399	87
	IX-86-17	BC85-554	124
	IX-86-18	BC85-585	125
	IX-86-41	BC86-330	141
	IX-86-51	BC86-390	145
	IX-86-72	BC87-091	158
	IX-89-15	BC88-404	188
	IX-89-33	BC89-175	205
position.....	IX-83-28	BC82-748	18
	IX-83-108	BC83-639	68
	IX-83-162	BC84-663	102
	IX-83-170	BC85-091	105

<u>Subject</u>	<u>Interpretation</u>	<u>File No.</u>	<u>Page No.</u>
Performance Qualification (Cont'd)			
	IX-83-177	BC85-092	108
	IX-86-29	BC86-103	130
	IX-86-30	BC86-104	131
	IX-86-35	BC86-266	139
	IX-89-24	BC89-097	196
	IX-89-40	BC89-362	214
	IX-89-98	BC91-003	251
	IX-92-15	BC91-263	267
	IX-92-41	BC92-035	284
	IX-92-46	BC92-265	292
	IX-92-90	BC93-753	324
process substitution	IX-86-46	BC86-219	143
qualification with and without backing	IX-92-96	BC94-102	326
	IX-01-09	BC01-032	428
questioning of ability	IX-86-24	BC86-001	128
records	IX-95-38	BC96-132	375
recording information on WPQ	IX-86-13	BC85-507	118
	IX-86-72	BC87-091	158
	IX-89-30	BC89-177	204
	IX-89-47	BC89-370	217
renewal of	IX-83-154	BC84-689	97
	IX-83-159	BC84-690	99
	IX-83-164	BC85-023	103
	IX-83-166	BC85-030	104
	IX-83-167	BC85-031	104
	IX-86-07	BC85-560	115
	IX-86-19	BC85-587	125
	IX-86-50	BC86-389	144
	IX-86-52	BC86-394	145
	IX-89-32	BC89-100	203
	IX-92-12	BC91-264	266
	IX-92-22	BC91-425	271
	IX-92-47	BC92-266	292
	IX-92-64	BC92-464	305
	IX-01-21	BC01-035	439
requalification after failure	IX-92-56	BC92-308	295
requalification after failure and further training	IX-92-73	BC93-468	313
requalification for friction weld operator	IX-92-58	BC92-357	296
requalifying for Addenda changes	IX-83-112	BC84-038	70
responsibility of	IX-83-21	BC82-499	15
	IX-83-100	BC83-563	63
	IX-83-101	BC83-529	64
	IX-83-106	BC83-630	67
	IX-83-113	BC83-055	71
	IX-83-117	BC84-133	78
	IX-83-121	BC84-134	80
	IX-83-124	BC84-149	81
	IX-83-128	BC84-226	83
	IX-83-131	BC84-365	85
	IX-83-132	BC84-366	85
	IX-83-133	BC84-370	86
	IX-83-134	BC84-396	86
	IX-92-25	BC91-415	272
	IX-98-14	BC98-447	397
revoking of qualification	IX-95-19	BC95-221	352
simultaneous qualification of welders	IX-92-39	BC92-121	283
	IX-95-14	BC95-040	345
special process	IX-89-92	BC90-681,	248
		BC90-691	
strip electrodes	IX-95-30	BC96-073	361
test coupon qualification	IX-92-31	BC91-613	280
test specimen movement	IX-86-77	BC87-138	166

<u>Subject</u>	<u>Interpretation</u>	<u>File No.</u>	<u>Page No.</u>	
Performance Qualification (Cont'd)				
thickness limitation	IX-83-90	BC83-407	55	
	IX-83-158	BC84-368	99	
	IX-89-02	BC88-090	181	
	IX-89-24	BC89-097	196	
	IX-89-32	BC89-287	205	
	IX-89-64	BC90-297	225	
	IX-89-83	BC90-532	243	
	IX-89-95	BC90-869	250	
	IX-89-96	BC90-872	250	
	IX-92-36	BC91-616	282	
	IX-92-35	BC91-277	281	
	IX-92-32	BC91-631	280	
	IX-92-51	BC92-276	294	
	IX-92-59	BC92-206	303	
	IX-95-23	BC95-428	353	
	IX-95-28	BC96-002	360	
	IX-98-05	BC98-009	389	
	IX-98-17	BC98-055	403	
	type of tests required	IX-92-17	BC91-315	268
		IX-92-23	BC90-494	270
	using radiography	IX-83-19	BC82-440	14
		IX-83-52	BC83-001	34
		IX-83-57	BC83-079	36
		IX-83-91	BC83-528	56
		IX-83-142	BC84-548	89
		IX-83-173	BC85-013	106
		IX-83-174	BC84-557	107
IX-86-34		BC86-265	138	
IX-86-79		BC87-140	167	
IX-86-85		BC87-492	174	
IX-89-21		BC89-031	195	
ultrasonic examination		IX-95-35	BC96-287	368
		IX-92-71	BC93-365	312
visual examination		IX-95-17	BC95-035	351
	IX-01-03	BC00-519	420	
visual inspection	IX-89-50	BC90-035	218	
welder/operator	IX-89-48	BC89-360	217	
	IX-89-51	BC90-038	219	
	IX-89-57	BC90-040	221	
	IX-89-63	BC90-254	224	
	IX-89-108	BC91-157	256	
	IX-95-39	BC96-331	375	
	IX-98-11	BC98-133	395	
	IX-98-14	BC98-447	397	
	welder/operator identification	IX-83-138	NI84-058	88
	welding of joint by more than one welder	IX-89-06	BC88-169	183
when welding PQR coupon	IX-83-31	BC82-395	19	
	IX-86-90	BC88-091	176	
	IX-89-48	BC89-360	217	
with a tube end gun	IX-83-67	BC83-123	41	
with/without backing	IX-83-168	BC85-059	104	
	IX-86-23	BC85-553	127	
plasma arc welding	IX-89-40	BC89-362	214	
P-Numbers				
chemical analysis/mechanical properties of	IX-86-88	BC88-041	176	
classification of	IX-83-156	BC84-697	98	
	IX-92-08	BC91-257	265	
	IX-95-05	BC94-365	336	
welding of non-pressure retaining attachments	IX-89-05	BC88-168	183	

<u>Subject</u>	<u>Interpretation</u>	<u>File No.</u>	<u>Page No.</u>
Positions, Brazing			
qualification of flow positions	IX-86-02	BC85-292	113
Positions, Welding			
fillet welds in vertical-up progression	IX-83-82	BC83-303	52
listing on the WPS.	IX-83-44	BC82-830	29
qualification of 2G position	IX-83-75	BC83-149	44
recording welder qualification for	IX-83-53	BC83-002	35
vertical-up progression	IX-83-50	BC82-872	33
	IX-86-86	BC87-494	175
Postweld Heat Treatment			
addition of	IX-86-47	BC86-223	143
change in soaking time	IX-83-130	BC84-252	84
change in base metal thickness	IX-92-33	BC91-614	280
limit on maximum time	IX-83-145	BC84-584	90
reporting results	IX-98-10	BC97-306, BC97-308	395
temperature ranges	IX-81-30R	BC82-097*	5
	IX-83-30	BC82-243	18
transformation temperatures	IX-83-11	BC82-300	11
	IX-86-23	BC85-553	127
	IX-86-76	BC87-137	166
	IX-01-20	BC01-813	435
versus post heating	IX-83-29	BC82-763	18
	IX-86-20	BC86-010	125
when lower critical temperature has been exceeded	IX-83-35	BC82-599	25
Preheat Temperature			
maintenance of	IX-83-82	BC83-303	52
	IX-83-161	BC84-618	101
Procedure Qualification			
acceptance criteria	IX-01-18	BC01-772	435
equipment	IX-95-42	BC97-044	377
essential variables	IX-89-54	BC89-367	220
	IX-89-59	BC90-250	222
	IX-01-06	BC98-240	421
impact testing	IX-89-23	BC89-096	196
joints	IX-98-06	BC98-009	389
limits of qualified positions for procedures	IX-95-13	BC94-035	345
liquid penetrant examination	IX-92-13	BC91-278	267
	IX-95-23	BC95-428	353
nonessential variables	IX-98-13	BC98-239	396
	IX-01-05	BC00-654	420
partial penetration groove welds	IX-89-62	BC90-253	224
	IX-95-03	BC94-235	334
seal welds	IX-98-15	BC98-448	397
subcontracting	IX-92-78	BC93-561	315
substrate deposit	IX-95-34	BC96-060	368
tension tests	IX-95-09	BC94-570	344
variables	IX-89-79	BC90-531	237
	IX-92-40	BC92-110	284
weld repair and buildup tests	IX-95-03	BC94-235	334
Procedure Qualification Record			
additions/corrections to	IX-83-171	BC85-132	105
applied lining	IX-92-20	BC91-396	270
certification of	IX-83-03	BC82-056	7
combining PQRs	IX-83-47	BC82-790	32
	IX-86-15	BC85-532	123
	IX-89-40	BC89-362	214
	IX-92-42	BC92-011	291

<u>Subject</u>	<u>Interpretation</u>	<u>File No.</u>	<u>Page No.</u>
Procedure Qualification Record (Cont'd)			
	IX-92-59	BC92-206	303
	IX-92-68	BC92-011A	306
	IX-92-95	BC94-008	326
corrosion-resistant weld metal overlay, chemical analysis	IX-89-77	BC90-492	233
	IX-89-71	BC90-039	236
	IX-92-05	BC90-632	263
	IX-92-06	BC91-054	264
	IX-92-28	BC91-472	273
	IX-92-52	BC92-252	294
	IX-92-54	BC92-305	295
	IX-95-41	BC97-028	376
	IX-98-16	BC98-453	398
dissimilar base metal thicknesses	IX-92-11	BC91-263	266
		BC92-011B,	306
		BC92-228	
	IX-95-12	BC95-027	345
	IX-98-20R	BC99-539*	426
	IX-01-23	BC01-789	440
electrical characteristics	IX-92-88	BC93-593	325
groove and fillet welds	IX-92-11	BC91-263	266
	IX-92-37	BC92-097	282
	IX-92-34	BC91-586	281
	IX-95-28	BC96-002	360
hardfacing overlay, examination	IX-89-77	BC90-492	236
	IX-92-03	BC90-523	262
	IX-92-04	BC90-530	263
	IX-95-23	BC95-428	353
	IX-95-34	BC96-060	368
information on	IX-98-16	BC98-453	398
	IX-86-70	BC87-089	157
	IX-89-16	BC88-405	188
listing of backing	IX-86-33	BC82-262	138
listing of preheat temperature	IX-83-165	BC85-024	103
listing of shielding gas purity	IX-95-11	BC95-002	344
macro examination	IX-92-24	BC91-280	272
manufacturer's or contractor's responsibility	IX-89-73	BC90-319	234
	IX-92-07	BC91-156	264
	IX-92-09	BC91-260	265
	IX-92-16	BC91-314	268
	IX-92-25	BC91-415	272
	IX-92-66	BC93-377	305
	IX-92-67	BC93-391	306
	IX-92-80	BC92-584	316
	IX-92-81	BC92-306	316
	IX-92-92	BC93-678	325
	IX-95-25	BC95-252	359
	IX-95-26	BC95-303	359
	IX-95-27	BC95-482	360
	IX-95-29	BC95-302	360
	IX-95-40	BC93-431,	376
		BC95-222	
	IX-98-18	BC99-025	403
meeting requirements of older editions	IX-83-99	BC83-472	63
	IX-83-148	BC84-417	95
	IX-92-86	BC93-658	318
notch toughness testing	IX-86-75	BC87-136	165
	IX-86-78	BC87-139	166
	IX-92-50	BC92-217	293
oscillation	IX-98-07	BC98-009	390
P-Number reassignment	IX-01-22	BC01-679	440
recording test results	IX-83-26	BC82-182	12
	IX-83-139	BC83-629	88

<u>Subject</u>	<u>Interpretation</u>	<u>File No.</u>	<u>Page No.</u>
Procedure Qualification Record (Cont'd)			
	IX-83-172	BC85-135	106
	IX-83-175	BC85-038	107
requalifying	IX-89-56	BC90-036	221
	IX-89-58	BC90-249	221
	IX-92-62	BC92-425	304
	IX-92-97	BC94-167	327
revising WPSs	IX-92-57	BC92-354	296
special process	IX-89-92	BC90-681, BC90-691	248
	IX-92-44	BC92-168	291
supporting WPSs	IX-92-84	BC93-586	318
	IX-95-21	BC95-318	353
	IX-95-22	BC95-251	353
	IX-98-04	BC97-481	384
	IX-01-17	BC01-615	434
thickness limits and test specimens	IX-92-19	BC91-390	269
	IX-92-53	BC92-254	294
	IX-92-89	BC93-653	324
	IX-95-23	BC95-428	353
	IX-98-03	BC97-479	383
	IX-98-05	BC98-009	389
	IX-98-07	BC98-009	390
	IX-98-17	BC98-055	403
types of test required	IX-01-01	BC00-514	419
visual examination	IX-92-17	BC91-315	268
	IX-01-10	BC01-073	428
Process			
definition of	IX-83-58	BC83-086	37
performance qualification	IX-83-69	BC83-233	42
variables for	IX-86-12	BC85-482	117
Production Welds			
liquid penetrant examination	IX-92-13	BC91-278	267
Qualified Thickness Range			
performance			
for different positions	IX-83-23	BC82-530	15
	IX-86-30	BC86-104	131
for dissimilar base metal thicknesses	IX-83-123	BC84-092	80
	IX-89-37	BC89-358	212
	IX-01-23	BC01-789	440
for hardfacing overlay	IX-92-05	BC90-632	263
	IX-98-05	BC98-009	389
for pipe	IX-83-66	BC83-058	41
	IX-86-29	BC86-103	130
for weld overlays	IX-83-101	BC83-529	64
	IX-86-27	BC86-061	129
weld reinforcement	IX-83-07	BC82-246	9
	IX-83-143	BC84-581	89
procedure			
changes in later editions	IX-83-88	BC83-396	54
effect of PWHT	IX-83-11	BC82-300	11
for brazed laps	IX-83-49	BC82-871	33
	IX-86-21	BC86-058	126
for cladding	IX-83-48	BC82-870	32
	IX-98-16	BC98-453	398
for double-bevel groove welds	IX-83-90	BC83-407	55
for dissimilar base metal thickness	IX-86-89	BC88-089	176
for groove welds	IX-89-100	BC90-663	252
	IX-89-100R	BC90-663*	261
	IX-98-03	BC97-479	383

<u>Subject</u>	<u>Interpretation</u>	<u>File No.</u>	<u>Page No.</u>
Qualified Thickness Range (Cont'd)			
for hardfacing overlay	IX-92-05	BC90-632	263
	IX-98-05	BC98-009	389
	IX-98-16	BC98-453	398
for multiprocess procedures	IX-83-83	BC83-394	53
	IX-83-126	BC84-221	82
for notch toughness	IX-89-86	BC90-734	245
for weld repair	IX-83-93	BC83-531	56
	IX-83-126	BC84-221	82
	IX-83-141	BC84-434	89
	IX-86-28	BC86-062	130
impact testing	IX-83-81	BC83-395	51
limitation when using GMAW-S	IX-83-18	BC82-423	14
	IX-95-33	BC96-001	367
	IX-95-28	BC96-002	360
limitations for combined procedures	IX-83-80	BC83-388	50
	IX-95-33	BC96-001	367
limitations of QW-451	IX-83-102	BC83-551	65
	IX-83-152	BC84-648	96
	IX-86-36	BC86-280	139
	IX-89-83	BC90-532	243
minimum for weld metal	IX-83-81	BC83-395	51
	IX-89-39	BC89-361	213
ranges qualified by PQR	IX-83-36	BC82-757	25
	IX-83-64	BC83-222	40
	IX-89-11	BC88-399	186
	IX-01-12	BC01-201	430
thickness for determining weld reinforcement	IX-83-05	BC82-237	8
	IX-83-08	BC82-265	10
thickness used to determine range	IX-83-94	BC83-284	61
	IX-86-43	BC86-337	142
	IX-89-18	BC88-474	193
	IX-01-27	BC02-111	441
Records (see also Procedure Qualification Record)			
maintenance of performance qualification	IX-83-32	BC82-598	19
	IX-92-55	BC92-307	295
	IX-01-08	BC01-030	427
Root Gap			
qualification of	IX-83-71	BC83-230	43
use of term	IX-83-04	BC82-098	8
SFA Specifications			
AWS classification change	IX-83-147	BC84-249	95
change of designations in a classification	IX-83-59	BC82-614	37
change of electrode classification	IX-83-61	BC82-831	39
	IX-89-13	BC88-402	187
	IX-92-21	BC91-397	270
Chemistry deviation	IX-89-08	BC88-172	185
classification listed in AWS specification	IX-92-94	BC93-754	326
electrode classification	IX-89-76	BC90-466	235
	IX-95-13	BC94-035	345
electrode spacing	IX-86-63	BC86-520	154
heat treatment conditions	IX-83-46	BC82-751	31
mechanical tests	IX-89-97	BC90-873	251
use of	IX-83-27	BC82-713	17
	IX-01-25	BC01-815	441
use of different electrode brands	IX-86-65	BC87-031A	155
use of powdered filler metal	IX-92-61	BC92-422	304
Shielding Gases			
procedure qualification using	IX-83-02	BC81-704	6

<u>Subject</u>	<u>Interpretation</u>	<u>File No.</u>	<u>Page No.</u>
Shielding Gases (Cont'd)			
purity	IX-92-62 IX-95-11	BC92-425 BC95-002	304 344
SI Units			
use of	IX-83-85	BC83-003	53
S-Numbers			
qualification	IX-92-98 IX-95-07	BC94-236 BC94-522	327 343
Standard Welding Procedure Specifications (SWPSs)			
use of	IX-01-11 IX-01-14	BC01-089 BC01-332	429 433
Supplementary Essential Variables (see also Variables)			
qualifying changes in	IX-83-79 IX-83-122 IX-83-135	BC83-358 BC83-645 BC84-397	50 80 87
Test Specimens			
acceptance criteria for bend specimens	IX-83-60 IX-83-115 IX-86-61 IX-89-52 IX-95-15	BC82-749 BC83-279 BC86-515 BC90-044 BC95-094	38 77 153 219 346
acceptance criteria for section test	IX-83-76 IX-83-120	BC83-248 BC83-474	44 79
bending of	IX-83-51	BC82-881	34
brazing joint clearance	IX-86-11	BC85-420	117
calibration of testing machines	IX-83-109	BC83-689	68
cold straightening of	IX-83-60	BC82-749	38
corrosion-resistant overlay	IX-92-05 IX-92-60	BC90-632 BC92-421	263 303
determining coupon thickness	IX-83-77 IX-83-78 IX-83-143	BC83-253 BC83-300 BC84-581	49 50 89
dimensions recorded on PQR	IX-83-26 IX-83-144	BC82-182 BC84-583	17 90
face and root bends, transverse	IX-89-72	BC90-042	233
failure of	IX-83-153 IX-86-09	BC84-664 BC85-200	97 116
fillet welds	IX-95-08	BC94-543	343
for multiprocess welds	IX-83-43	BC82-822	29
for impact testing for multiprocess welds	IX-01-24	BC01-814	440
for peel or section tests	IX-83-76	BC83-248	44
grinding of overlay specimens	IX-83-60	BC82-749	38
guided-bend tests	IX-92-10 IX-95-15 IX-98-12	BC91-261 BC95-094 BC98-237, BC98-238	265 346 396
longitudinal bend	IX-89-107	BC91-124	255
mandrel size	IX-83-74 IX-86-71	BC82-867 BC87-090	44 157
method of restraint	IX-86-37 IX-86-38	BC86-297 BC86-298	139 140
minimum weld metal deposit thickness	IX-92-68	BC92-011	306
nondestructive testing of	IX-86-83	BC87-489A	174
number of tension test specimens	IX-92-37	BC92-097	282
partial penetration	IX-89-99	BC91-022	251
product form	IX-86-40 IX-89-07	BC86-329 BC88-171	141 184
qualification of	IX-89-45	BC89-368	216

<u>Subject</u>	<u>Interpretation</u>	<u>File No.</u>	<u>Page No.</u>
Test Specimens (Cont'd)			
reduced section	IX-92-29 IX-83-65 IX-89-25 IX-89-90 IX-92-76 IX-92-79 IX-01-21	BC91-473 BC83-225 BC89-099 BC90-532 BC93-515 BC93-583 BC01-035	279 40 197 247 314 315 439
removal	IX-83-15 IX-83-119 IX-92-79	BC82-388 BC84-253 BC93-583	13 79 315
roll planishing	IX-86-26	BC86-059	129
size of specimen required	IX-83-38 IX-83-73 IX-86-45	BC82-771 BC82-866 BC86-366	26 43 142
tension, full section for small diameter pipe	IX-89-103	BC91-096	253
tension, reduced section for lap and rabbet joints, plate	IX-89-81	BC90-537	237
tension test results	IX-92-14 IX-92-63 IX-95-06 IX-95-09 IX-98-09	BC91-279 BC92-452 BC94-542 BC94-570 BC97-302	267 304 336 344 395
test jig dimensions for bend tests	IX-92-48 IX-92-49	BC92-267 BC92-268	293 293
tolerances	IX-95-02	BC94-181	333
transverse bend	IX-89-107	BC91-124	255
using radiography	IX-83-157 IX-86-62 IX-01-04	BC84-700 BC86-517 BC00-653	98 153 420
visual requirements	IX-83-149 IX-01-04	BC84-558 BC00-653	95 420
Unlisted Materials (Non-Code Material)			
A-Number classification	IX-83-140R IX-89-46 IX-89-55	BC84-250* BC89-369 BC89-371	137 216 220
P-Numbers for	IX-83-34 IX-83-62 IX-83-115 IX-83-131	BC82-514 NI83-004 BC83-279 BC84-365	25 39 77 85
identifying welding electrodes in cartons	IX-89-65	BC90-289	225
qualification of	IX-83-45 IX-83-136 IX-95-21 IX-95-22	BC82-385 BC84-398 BC95-318 BC95-251	30 87 353 353
SAW flux/wire combinations	IX-83-46	BC82-751	31
use of filler metals	IX-83-25 IX-86-76	BC81-160 BC87-137	16 166
Variables			
changes to the WPS	IX-83-54 IX-89-70	BC83-042 BC90-430	35 227
flexible welding back-up tape	IX-86-80	BC87-253	167
listing on the WPS	IX-83-03 IX-86-14 IX-89-82 IX-89-85	BC82-056 BC85-483 BC90-531 BC90-671	7 126 243 244
ranges demonstrated on the PQR	IX-83-40	BC82-794	27
recording on the PQR	IX-83-26	BC82-182	17

Welder Qualification (see Performance Qualification Testing)

Welding Operator Qualification (see Performance Qualification Testing)

<u>Subject</u>	<u>Interpretation</u>	<u>File No.</u>	<u>Page No.</u>
Welding Procedure Specification			
certification	IX-83-03	BC82-056	7
	IX-89-43	BC89-365	215
changes in	IX-83-37	BC82-770	26
	IX-83-118	BC84-183	78
	IX-83-125	BC84-151	81
	IX-83-150	BC84-617	96
	IX-86-67	BC87-038	155
	IX-92-30	BC91-587	279
combination of processes	IX-83-164	BC85-023	103
	IX-86-01	BC85-036	113
	IX-86-06	BC85-328	115
	IX-86-23	BC85-553	127
	IX-86-56	BC86-429	146
	IX-86-60	BC86-514A	152
	IX-86-87	BC87-490A	175
	IX-89-26	BC89-103	197
	IX-89-67	BC90-335	226
	IX-95-10	BC94-662	344
combining of	IX-86-08	BC85-134	116
	IX-92-75	BC93-490	313
	IX-92-77	BC93-518	314
electrical characteristics	IX-95-18	BC95-220	351
for corrosion-resistant weld metal overlay	IX-86-59	BC86-458	152
	IX-89-12	BC88-401	187
	IX-95-41	BC97-028	376
for weld repair/buildup	IX-83-160	BC84-219	100
information recorded on	IX-83-127	BC84-224	83
	IX-86-04	BC85-304	114
	IX-86-10	BC85-307	117
	IX-86-14	BC85-483	123
	IX-86-54	BC86-400	146
	IX-89-03	BC88-166A	182
	IX-89-16	BC88-405	188
	IX-89-19	BC88-476	194
	IX-95-11	BC95-002	344
manufacturer's and contractor's responsibility	IX-89-73	BC90-319	234
	IX-92-07	BC91-156	264
	IX-92-80	BC93-584	316
	IX-92-81	BC92-306	316
	IX-95-25	BC95-252	359
	IX-95-26	BC95-303	359
	IX-95-27	BC95-482	360
	IX-95-29	BC95-302	360
	IX-95-40	BC93-431,	376
		BC95-222	
	IX-01-02	BC00-553	419
	IX-98-02	BC97-309	383
meeting requirements of older editions	IX-92-86	BC93-158	318
P-Number	IX-89-36	BC89-357	212
	IX-89-58	BC90-249	221
qualification	IX-89-04	BC88-167	182
	IX-89-35	BC89-307	211
	IX-89-66	BC90-281	226
	IX-95-01	BC94-104	333
requalification of	IX-89-14	BC88-403	187
	IX-89-42	BC89-364	215
	IX-89-17	BC88-473	193
	IX-89-41	BC89-363	214
	IX-89-54	BC89-367	220
	IX-92-38	BC91-630	283
	IX-95-04	BC94-296	335
	IX-95-16	BC95-095	346

<u>Subject</u>	<u>Interpretation</u>	<u>File No.</u>	<u>Page No.</u>
Welding Procedure Specification (Cont'd)			
short circuiting mode	IX-95-28	BC96-002	360
	IX-95-33	BC96-001	367
supplied to welder.....	IX-83-17	BC82-422	13
support of.....	IX-83-146	BC84-619	90
	IX-86-42	BC86-331	141
	IX-86-55	BC86-426	146
	IX-89-26	BC89-103	197
	IX-89-68	BC90-349	227
	IX-89-41	BC89-363	214
use for an unassigned material.....	IX-01-07	BC01-029	427
use of at job sites	IX-83-12	BC82-341	11
use of by subcontractor.....	IX-86-49	BC86-367	144
weld joint.....	IX-89-53	BC90-045	219
	IX-95-01	BC94-104	333